

**For Scintillation Counting and High Energy Physics  
51mm (2 Inch) Diameter, Subnanosecond Time Response ( $T_r = 0.7\text{ns}$ )  
8-Stage, Bialkali Photocathode**

## GENERAL

Parameter		Description/Value	Unit
Spectral Response		300 to 650	nm
Wavelength of Maximum Response		420	nm
Photocathode	Material	Bialkali	—
	Minimum Useful Diameter	46	mm dia.
Window Material		Borosilicate glass	—
Dynode	Structure	Linear focused	—
	Number of Stages	8	—
Base		19-pin glass base with SMA output connector	—
Socket		E678-19C	—

## MAXIMUM RATINGS (Absolute Maximum Values)

Parameter		Value	Unit
Supply Voltage	Between Anode and Cathode	3500	Vdc
	Between Anode and Last Dynode	1000	Vdc
Average Anode Current		0.2	mA
Ambient Temperature		-30 to +50	°C

## CHARACTERISTICS (at 25°C)

Parameter		Min.	Typ.	Max.	Unit
Anode Sensitivity	Luminous (2856K)	50	200	—	A/lm
	Luminous (2856K)	60	80	—	$\mu\text{A/lm}$
Cathode Sensitivity	Radiant at 420nm	—	80	—	$\text{mA/W}$
	Blue (CS 5-58 filter)	—	10.0	—	$\mu\text{A/lm-b}$
Gain		—	$2.5 \times 10^6$	—	—
Anode Dark Current (after 30 min. storage in darkness)		—	100	800	nA
Time Response	Anode Pulse Rise Time	—	0.7	—	ns
	Electron Transit Time	—	16	—	ns
	Transmit Time Spread	—	0.37	—	ns
Pulse Linearity at 2% Deviation		—	100	—	mA

## VOLTAGE DISTRIBUTION RATIO AND SUPPLY VOLTAGE

Electrodes	K	G	Dy1	Dy2	Dy3	Dy4	Dy5	Dy6	Acc	Dy7	Dy8	P
Ratio	1.3	4.8	1.2	1.8	1	1	1	1	0.5	3	2.5	

Supply Voltage: 3000Vdc, K: Cathode, Dy: Dynode, P: Anode, G: Grid  
Acc to be connected to Dy7.

# PHOTOMULTIPLIER TUBE R2083

Figure 1: Typical Spectral Response

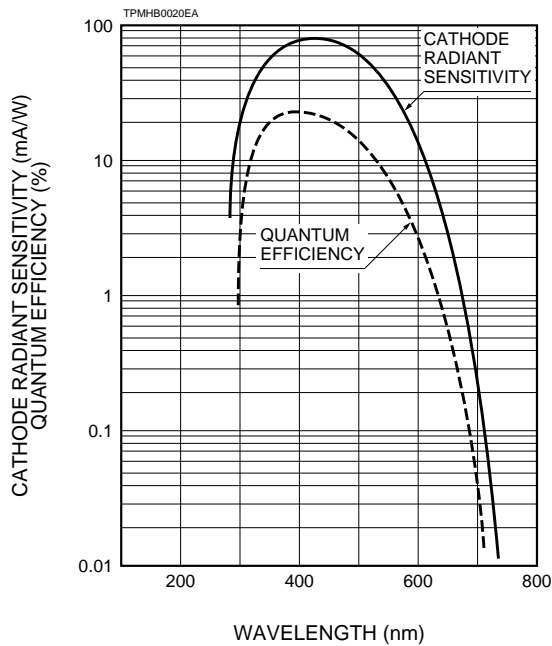


Figure 2: Typical Gain Characteristics

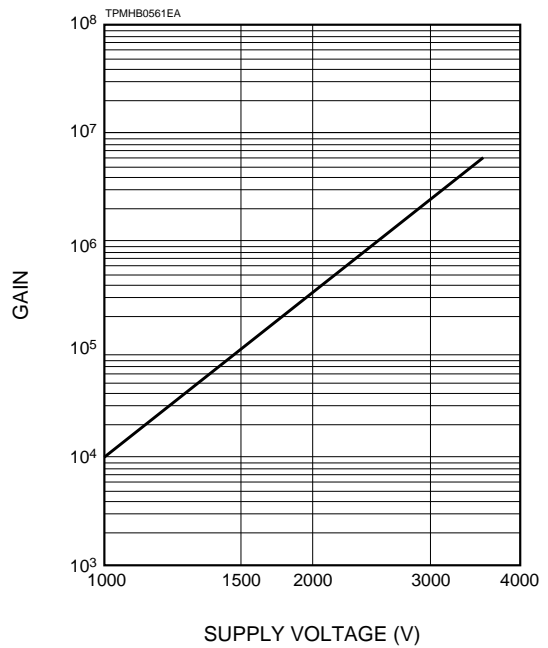
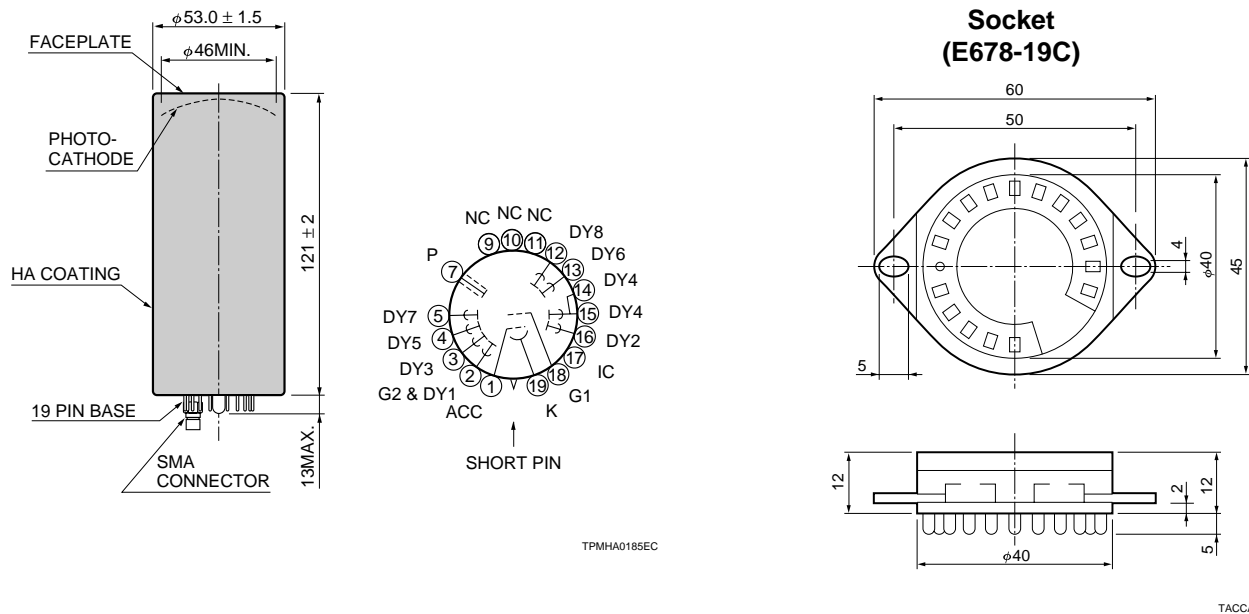


Figure 3: Dimensional Outline and Basing Diagram (Unit: mm)



# HAMAMATSU

HOME PAGE URL <http://www.hamamatsu.com>

HAMAMATSU PHOTONICS K.K., Electron Tube Center

314-5, Shimokanzo, Toyooka-village, Iwata-gun, Shizuoka-ken, 438-0193, Japan, Telephone: (81)539/62-5248, Fax: (81)539/62-2205

U.S.A.: Hamamatsu Corporation: 360 Foothill Road, P. O. Box 6910, Bridgewater, N.J. 08807-0910, U.S.A., Telephone: (1)908-231-0960, Fax: (1)908-231-1218

Germany: Hamamatsu Photonics Deutschland GmbH: Arzbergerstr. 10, D-82211 Hersching am Ammersee, Germany, Telephone: (49)8152-375-0, Fax: (49)8152-2658

France: Hamamatsu Photonics France S.A.R.L.: 8, Rue du Saule Trapu, Parc du Moulin de Massy, 91882 Massy Cedex, France, Telephone: (33)1 69 53 71 00, Fax: (33)1 69 53 71 10

United Kingdom: Hamamatsu Photonics UK Limited: Lough Point, 2 Gladbeck Way, Windmill Hill, Enfield, Middlesex EN2 7JA, United Kingdom, Telephone: 44(20)8-367-3560, Fax: 44(20)8-367-6384

North Europe: Hamamatsu Photonics Norden AB: Smidesvägen 12, SE-171-41 SOLNA, Sweden, Telephone: (46)8-509-031-00, Fax: (46)8-509-031-01

Italy: Hamamatsu Photonics Italia: S.R.L.: Strada della Moia, 1/E, 20020 Arese, (Milano), Italy, Telephone: (39)02-935 81 733, Fax: (39)02-935 81 741

TPMH1227E02  
DEC. 1999