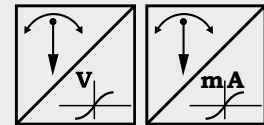


POSITILT®
PTAM20
Inclination Sensor with Analog Output



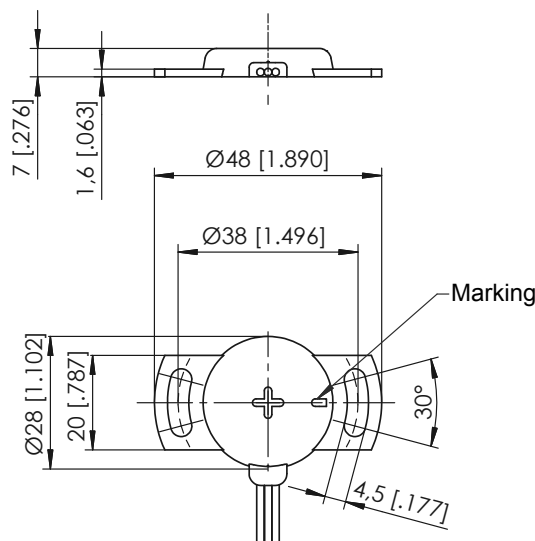
Analog inclination sensor with 1 axis

- Measurement range $\pm 60^\circ$
- Contact-free, wear free, high resolution
- High shock resistance
- Protection class IP60
- Analog output

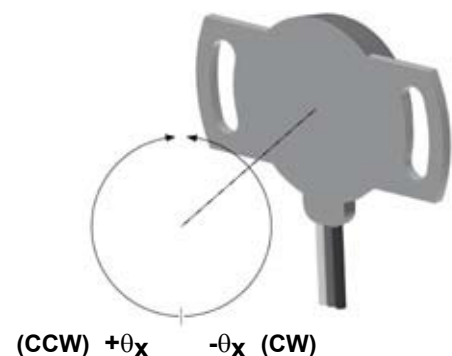


Specifications	Output	Voltage 0.5 ... 10 V (proportional $\sin(x)$) Current 4 ... 20 mA, 3 wire (proportional $\sin(x)$)
	Excitation voltage	18 ... 36 V DC
Measurement range	$\pm 5 \dots \pm 60^\circ$	
Resolution	0.05°	
Linearity	0.5°	
Settling time	~ 0.1 s	
Protection class	IP60	
Connection	Wire 3 x 0.5 mm ²	
Stability (temperature)	$\pm 100 \times 10^{-6} / ^\circ\text{C}$ f.s.	
Environmental		
Temperature	0 ... $+60^\circ\text{C}$	

**Outline drawing
PTAM20**



**Position of the
inclination axis**



Dimensions in mm [inch]

Dimensions informative only.
For guaranteed dimensions consult factory.