

PRX+ 1600 Radial Reed Sensor



Electrical Characteristics

Contact form		A
Contact rating max.	W / VA	3
Switching current max.	A	0.25
Carry current max.	A	0.5
Switching voltage max.	VDC	100
	VAC	70
Breakdown voltage min.	VDC	200
Contact resistance (initial) max.	mΩ	250
Insulation resistance min.	Ω	10 ⁹
Capacitance typ.	pF	0.5

Magnetical Characteristics

Pull in range available ¹	AT	10-25
--------------------------------------	----	-------

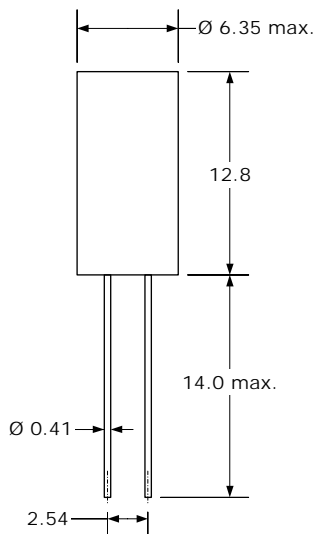
¹ AT range stated for unmodified Reed Switch

Operating Characteristics

Operate time (incl. bounce) max.	ms	0.5
Release time max.	ms	0.5
Switching frequency max.	Hz	300
Resonant frequency typ.	Hz	5,000
Vibration (50-2000 Hz)	g	10
Shock (1/2 sin 11 ms)	g	50
Operating temperature	°C	-40 to +100

Dimensions

in mm



Ordering Information

Series	AT Range
PRX+1600	1 = 10-15 / 2 = 15-20 / 3 = 20-25

Ordering example: PRX+1600-3 describes PRX+1600 with 15-20 AT

Customized types available.