

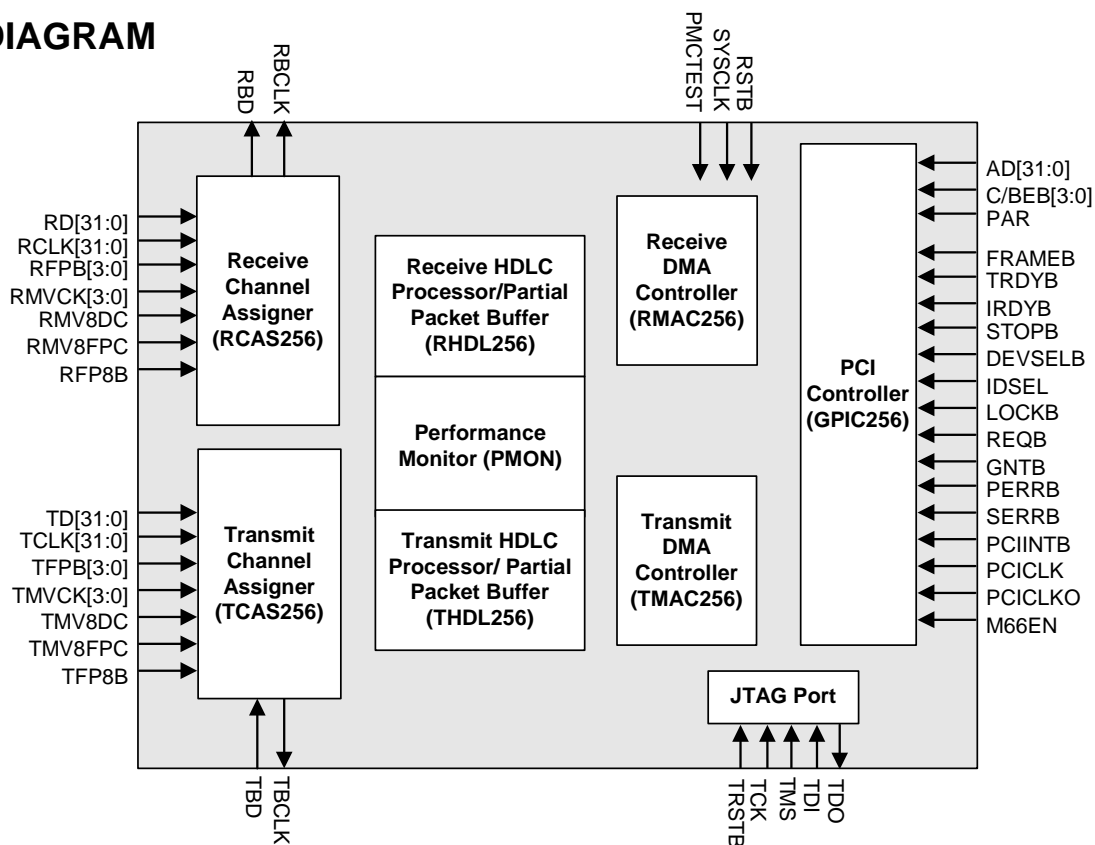
Frame Engine and Data Link Manager 32P256

OVERVIEW

The FREEDM-32P256 chip offers the following features:

- Single-chip multi-channel HDLC controller with a 66 MHz, 32-bit Peripheral Component Interconnect (PCI) 2.1 compatible bus for configuration, monitoring, and transfer of packet data.
- An on-chip DMA controller with scatter/gather capabilities.
- Supports up to 256 bi-directional HDLC channels assigned to a maximum of 32 channelized T1/J1/E1 links. You can program the number of time-slots assigned to an HDLC channel from 1 to 24 (for T1/J1) and from 1 to 31 (for E1).
- Supports up to 256 bi-directional HDLC channels assigned to a maximum of 32 MVIP digital telephony buses at 2.048 Mbit/s per link, or 8 H-MVIP buses at 8.192 Mbit/s per link.
- Supports up to 32 bi-directional HDLC channels, each assigned to an unchannelized arbitrary-rate link, subject to a maximum aggregate link clock-rate of 64 MHz in each direction.
- Channels assigned to links 0 to 2 support clock rates up to 52 MHz. Channels assigned to links 3 to 31 support clock rates up to 10 MHz. In the special case where no more than 3 high-speed links are used, the maximum aggregate link clock-rate is 156 MHz.
- Links configured for channelized T1/J1/E1 or unchannelized operation support the gapped-clock method for determining time-slots, which is backwards compatible with the FREEDM-8 and FREEDM-32 devices.
- For each channel, the HDLC receiver supports programmable flag-sequence detection, bit de-stuffing and frame-check sequence validation. The receiver supports the validation of both CRC-CCITT and CRC-32 frame-check sequences.
- For each channel, the HDLC transmitter supports programmable flag-sequence generation, bit stuffing and frame-check sequence generation. The transmitter supports the generation of both CRC-CCITT and CRC-32 frame-check sequences. The transmitter also aborts packets under the direction of the host or automatically when the channel underflows.
- Provides 32 kbytes of on-chip memory for partial packet buffering in both the transmit and receive directions. You can configure this memory to support a variety of different channel configurations: from a single channel with 32 kbytes of buffering, to 256 channels, each with a minimum of 48 bytes of buffering.
- Provides a standard five signal P1149.1 JTAG test-port for boundary scan board-test purposes.

BLOCK DIAGRAM



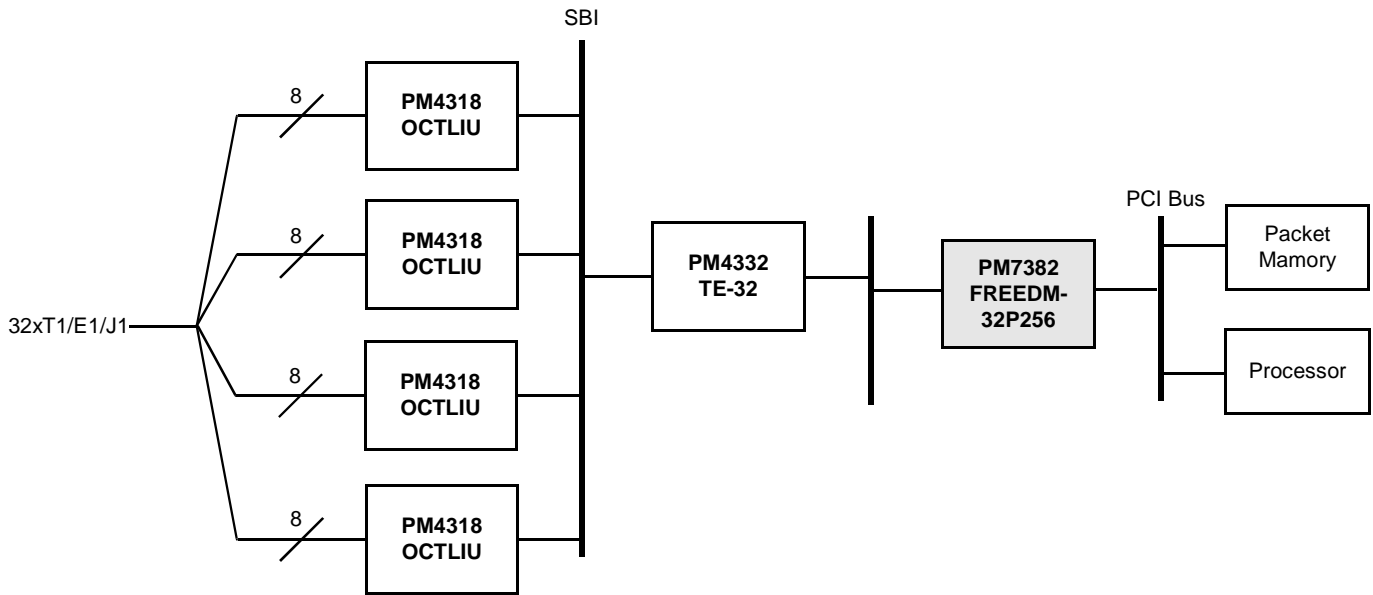
Frame Engine and Data Link Manager 32P256

- Supports 5 Volt tolerant I/Os for non-PCI signals. Supports a 3.3 Volt PCI signaling environment.
- 329-pin plastic ball grid-array (PBGA) package.

APPLICATIONS

- IETF PPP interfaces for routers.
- Frame Relay interfaces for ATM or Frame Relay switches and multiplexers.
- FUNI or Frame Relay service interworking interfaces for ATM switches and multiplexers.
- Internet/Intranet access equipment.
- Packet-based DSLAM equipment.

HIGH DENSITY T1/E1 LINE CARD



Head Office:
 PMC-Sierra, Inc.
 8555 Baxter Place
 Burnaby, B.C. V5A 4V7
 Canada
 Tel: 604.415.6000
 Fax: 604.415.6200

To order documentation,
 send email to:
 document@pmc-sierra.com
 or contact the head office,
 Attn: Document Coordinator

All product documentation is available
 on our web site at:
<http://www.pmc-sierra.com>
 For corporate information,
 send email to:
 info@pmc-sierra.com

PMC-2011578 (r2)
 © Copyright PMC-Sierra, Inc. 2001. All
 rights reserved. August 2001
 FREEDM-32, FREEDM-8, OCTLIU, TE-32,
 SBI, Any-PHY, and PMC-Sierra are
 trademarks of PMC-Sierra, Inc.