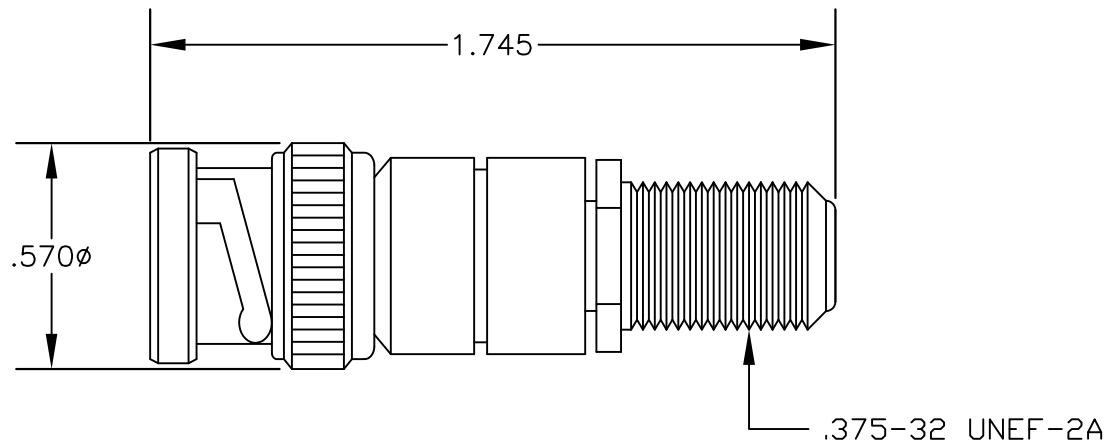


**MATERIALS**

<b>BODY</b>	<b>BRASS NICKEL PLATED</b>
<b>CONTACT</b>	<b>GOLD PLATED</b>
<b>BNC INSULATOR</b>	<b>PTFE</b>
<b>F INSULATOR</b>	<b>POLYPROPYLENE</b>



**SPECIFICATIONS**

FREQUENCY RANGE: DC TO 3 GHz  
 MAX VSWR 1.30:1



**PASTERNACK ENTERPRISES, INC.**  
 P.O BOX 16759, IRVINE, CA 92623  
 PHONE (949) 261-1920 FAX (949) 261-7451  
 WEB ADDRESS: [www.pasternack.com](http://www.pasternack.com)  
 E-MAIL ADDRESS: [sales@pasternack.com](mailto:sales@pasternack.com)  
**COAXIAL & FIBER OPTICS**

DWG TITLE		DES. 75 OHM BNC MALE TO F FEMALE			
<b>PE9741</b>					
SIZE A	<b>FSCM NO. 53919</b>	CAD FILE 050703	SCALE N/A	127	

**NOTES:**  
 1. UNLESS OTHERWISE SPECIFIED ALL DIMENSIONS ARE NOMINAL.  
 2. ALL SPECIFICATIONS ARE SUBJECT TO CHANGE WITHOUT NOTICE AT ANY TIME.