



SSMA Female to N Male Adapter

TECHNICAL DATA SHEET

PE9352

SSMA Female to N Male Adapter

Configuration

Connector 1	SSMA Female
Impedance 1	50 Ohms
Connector 2	N Male
Impedance 2	50 Ohms
Adapter Design	Standard
Body Style	Straight

Mechanical Specifications

Temperature

Operating Range, deg C	-65 to +165
------------------------	-------------

Size

Length, in [mm]	1.212 [30.78]
Width/Dia., in [mm]	0.8 [20.32]

Connector 1

Type	SSMA Female
Inner Conductor Material and Plating	Gold
Inner Conductor Plating Specification	MIL-G-45204
Body Material and Plating	Brass, Nickel
Dielectric Type	Teflon

Connector 2

Type	N Male
Inner Conductor Material and Plating	Gold
Inner Conductor Plating Specification	MIL-G-45204
Coupling Nut Material and Plating	Brass, Nickel
Body Material and Plating	Brass, Nickel
Dielectric Type	Teflon

Compliance Certifications (visit www.Pasternack.com for current document)

RoHS Compliant	Yes
----------------	-----

Plotted and Other Data

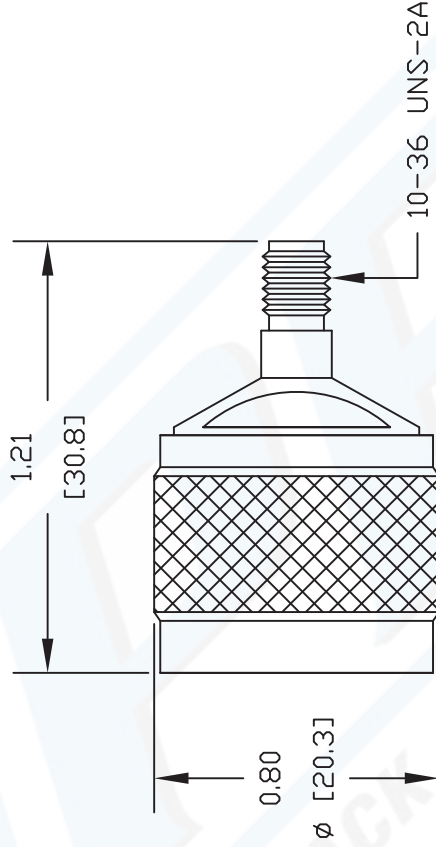
Notes:	Values at 25 °C, sea level
--------	----------------------------

URL: <http://www.pasternack.com/ssma-female-n-male-straight-adapter-pe9352-p.aspx>

SSMA Female to N Male Adapter from Pasternack Enterprises has same day shipment for domestic and International orders. Our RF, microwave and fiber optic products maintain a 99% availability and are part of the broadest selection in the industry.

The information contained in this document is accurate to the best of our knowledge and representative of the part described herein. It may be necessary to make modifications to the part and/or the documentation of the part, in order to implement improvements. Pasternack reserves the right to make such changes as required. Unless otherwise stated, all specifications are nominal.

PE9352 CAD Drawing
SSMA Female to N Male Adapter



NOTES:
1. UNLESS OTHERWISE SPECIFIED ALL DIMENSIONS ARE NOMINAL.
2. ALL SPECIFICATIONS ARE SUBJECT TO CHANGE WITHOUT NOTICE AT ANY TIME.
3. DIMENSIONS ARE IN INCHES [mm].

DWG TITLE

PE9352

PASTERNAK ENTERPRISES, INC.
P O BOX 16759, IRVINE, CA 92623
PHONE (949) 261-1920 FAX (949) 261-7451
WEB ADDRESS: www.pasternack.com
E-MAIL ADDRESS: sales@pasternack.com
COAXIAL & FIBER OPTICS



127

SIZE A

SCALE N/A

CAD FILE 091702

FSCM NO. 53919

REV. -