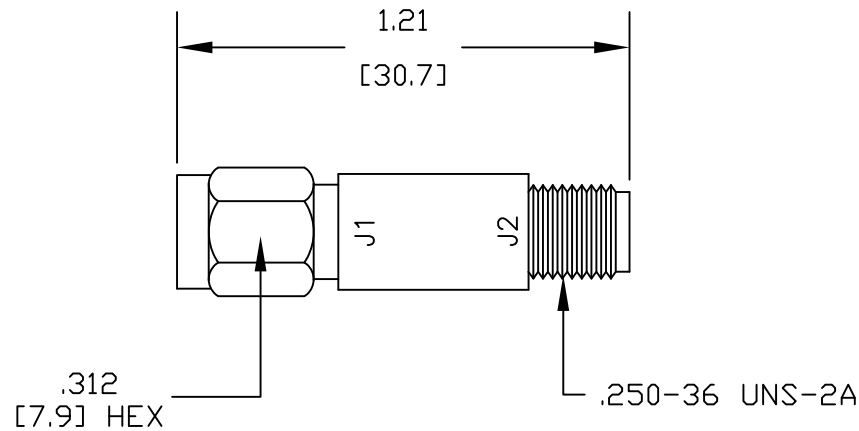


## MATERIALS

BODY	PASSIVATED STAINLESS STEEL
CONTACT	GOLD PLATED
INSULATOR	PTFE



## SPECIFICATIONS

FREQUENCY RANGE: 8.0–16.0 GHz  
 INSERTION LOSS(MEASURED AT  $-10\text{dBm}$ ): 2.0 dB MAX  
 VSWR (MEASURED AT  $-10\text{ dBm}$ ): 2.0:1  
 LEAKAGE @ 1W CW INPUT:  $+16.0\text{ dBm}$  MAX

### PASSIVE PIN DIODE LIMITERS

1 WATT CW & 100 WATT PEAK ( $1\mu\text{SEC}$ ) POWER HANDLING  
 0.1% DUTY CYCLE, DERATED TO 20% AT  $+125^\circ\text{C}$   
 INTERNAL DC RETURN  
 LIMITING THRESHOLD ABOVE  $+9\text{ dBm}$  TYPICAL  
 OPERATING TEMPERATURE RANGE=  $-55^\circ\text{C}$  TO  $+125^\circ\text{C}$

\*SMA MALE INPUT / SMA FEMALE OUTPUT



**PASTERNAK ENTERPRISES, INC.**

P.O BOX 16759, IRVINE, CA 92623  
 PHONE (949) 261-1920 FAX (949) 261-7451

WEB ADDRESS: [www.pasternack.com](http://www.pasternack.com)  
 E-MAIL ADDRESS: [sales@pasternack.com](mailto:sales@pasternack.com)

**COAXIAL & FIBER OPTICS**

DWG TITLE

**PE8026**

DES.

SMA PIN-PIN DIODE LIMITERS FREQUENCY RANGE: 8.0-16.0 GHz

REV. A

FSCM NO. 53919

CAD FILE 020811

SCALE N/A

SIZE A

127

NOTES:

1. UNLESS OTHERWISE SPECIFIED ALL DIMENSIONS ARE NOMINAL.
2. ALL SPECIFICATIONS ARE SUBJECT TO CHANGE WITHOUT NOTICE AT ANY TIME.
3. DIMENSIONS ARE IN INCHES (mm).