



GR874 Connector Crimp/Solder Attachment for
RG55, RG58, RG141, RG142, RG223, RG400

RF Connectors Technical Data Sheet

PE4233

Configuration

- GR874 Sexless Connector
- MIL-C-39012
- 50 Ohms
- Straight Body Geometry
- RG55, RG58, RG141, RG142, RG223, RG400 Interface Type
- Crimp/Solder Attachment

Features

- Gold Plated Contact
- Contact plating according to MIL-G-45204

Applications

- General Purpose Test
- Custom Cable Assemblies

Description

Pasternack's PE4233 GR874 connector with crimp/solder attachment for RG55, RG58, RG141, RG142, RG223 and RG400 is part of our full line of RF components available for same-day shipping.

Our GR874 connector PE4233 datasheet specifications and drawing with dimensions are shown below in this PDF. Pasternack's broad catalog of RF, microwave and millimeter wave connectors allows designers to configure and customize their signal connections however they like. Whether the need is to provide an I/O for a board design, or simply create a custom cable assembly configuration, Pasternack has the right connector for the job. Pasternack can also expertly build your custom cable assemblies for you and ship same-day.

Mechanical Specifications

Size

- Length 2.205 in [56.01 mm]
- Width/Dia. 0.81 in [20.57 mm]
- Weight 0.082 lbs [37.19 g]

Material Specifications

Description	Material	Plating
Contact		Gold MIL-G-45204
Insulation	PTFE	
Body	Brass	Nickel QQ-N-290

Click the following link (or enter part number in "SEARCH" on website) to obtain additional part information including price, inventory and certifications: [GR874 Connector Crimp/Solder Attachment for RG55, RG58, RG141, RG142, RG223, RG400 PE4233](#)



GR874 Connector Crimp/Solder Attachment for RG55, RG58, RG141, RG142, RG223, RG400

RF Connectors Technical Data Sheet

PE4233

Environmental Specifications

Temperature

Operating Range

-65 to +165 deg C

Compliance Certifications (see [product page](#) for current document)

Plotted and Other Data

Notes:

GR874 Connector Crimp/Solder Attachment for RG55, RG58, RG141, RG142, RG223, RG400 from Pasternack Enterprises has same day shipment for domestic and International orders. Our RF, microwave and millimeter wave products maintain a 99% availability and are part of the broadest selection in the industry.

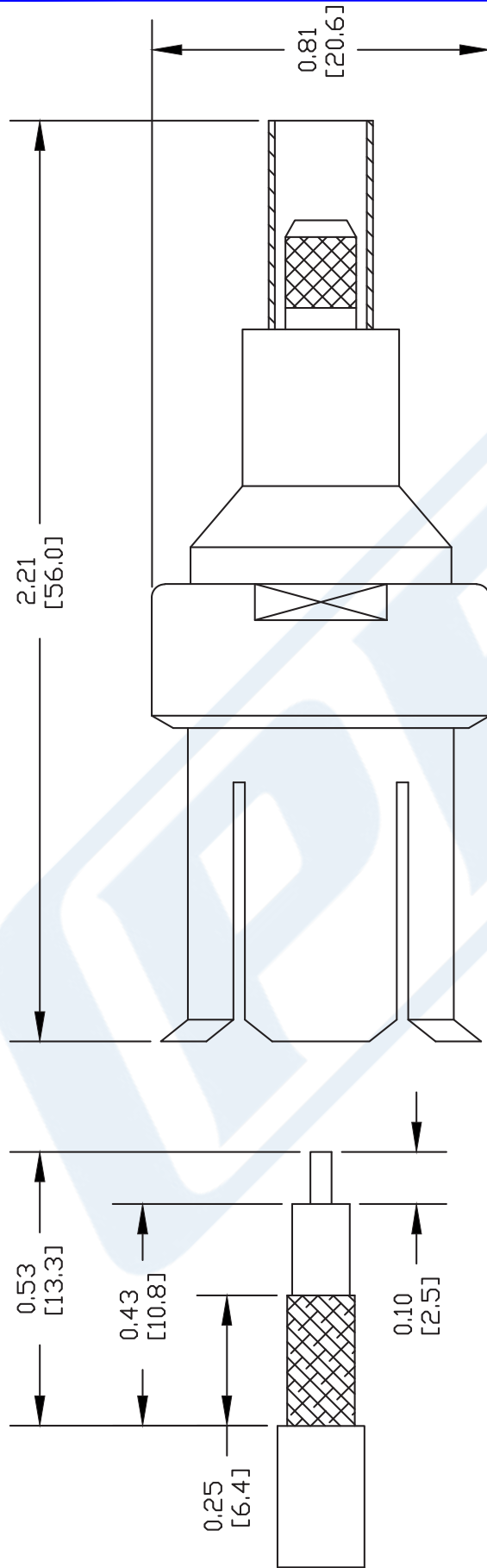
Click the following link (or enter part number in "SEARCH" on website) to obtain additional part information including price, inventory and certifications: [GR874 Connector Crimp/Solder Attachment for RG55, RG58, RG141, RG142, RG223, RG400 PE4233](#)

URL: <https://www.pasternack.com/gr874-sexless-standard-rg55-rg58-rg141-rg142-rg223-rg400-connector-pe4233-p.aspx>

The information contained in this document is accurate to the best of our knowledge and representative of the part described herein. It may be necessary to make modifications to the part and/or the documentation of the part, in order to implement improvements. Pasternack reserves the right to make such changes as required. Unless otherwise stated, all specifications are nominal. Pasternack does not make any representation or warranty regarding the suitability of the part described herein for any particular purpose, and Pasternack does not assume any liability arising out of the use of any part or documentation.

PE4233 CAD Drawing

GR874 Connector Crimp/Solder Attachment for RG55,
RG58, RG141, RG142, RG223, RG400



STRIPPING DIMENSIONS

CRIMP SIZE REQUIRED

CONTACT: SOLDER
FERRULE: .213" HEX CRIMP TOOL



PASTERNAK®
Pasternack Enterprises, Inc.
P.O. Box 16759 | Irvine | CA | 92623
Phone: (949) 261-1920 | Fax: (949) 261-7451
Website: www.pasternack.com | E-Mail: sales@pasternack.com

DWG TITLE

PE4233

NOTES:

1. UNLESS OTHERWISE SPECIFIED ALL DIMENSIONS ARE NOMINAL.
2. ALL SPECIFICATIONS ARE SUBJECT TO CHANGE WITHOUT NOTICE AT ANY TIME.
3. DIMENSIONS ARE IN INCHES [mm].
4. FITS MIL-C-17 AND EQUIVALENT CABLES.

REV. -

FSCM NO. 53919

CAD FILE 042309

SCALE N/A

SIZE A

147