

P4C187/P4C187L ULTRA HIGH SPEED 64K x 1 STATIC CMOS RAMS

FEATURES

- Full CMOS, 6T Cell
- High Speed (Equal Access and Cycle Times)
 - 10/12/15/20/25/35/45 ns (Commercial)
 - 12/15/20/25/35 /45 ns (Industrial)
 - 15/20/25/35/45/55/70/85 ns (Military)
- Low Power Operation
 - 743 mW Active -10
 - 660/770 mW Active for -12/15
 - 550/660 mW Active for -20/25/35
 - 193/220 mW Standby (TTL Input)
 - 83/110 mW Standby (CMOS Input) P4C187
 - 5.5 mW Standby (CMOS Input) P4C187L (Military)
- Single 5V±10% Power Supply
- Data Retention with 2.0V Supply (P4C187L Military)
- Separate Data I/O
- Three-State Output
- TTL Compatible Output
- Fully TTL Compatible Inputs
- Standard Pinout (JEDEC Approved)
 - 22-Pin 300 mil DIP
 - 24-Pin 300 mil SOJ
 - 22-Pin 290x490 mil LCC
 - 28-Pin 350x550 mil LCC

DESCRIPTION

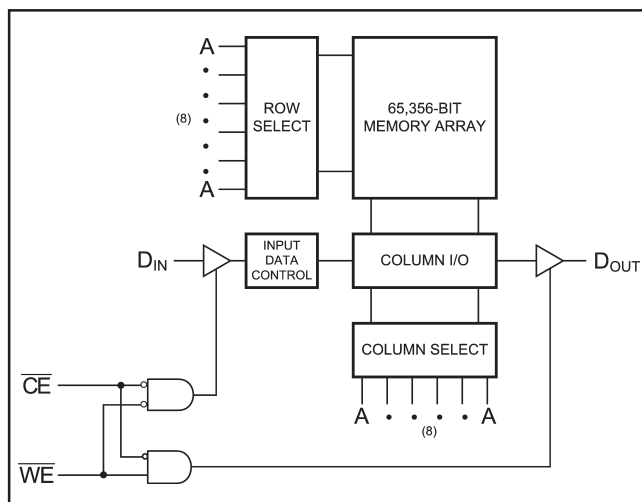
The P4C187/P4C187L are 65, 536-bit ultra high speed static RAMs organized as 64K x 1. The CMOS memories require no clocks or refreshing and have equal access and cycle times. The RAMs operate from a single 5V ± 10% tolerance power supply. Data integrity is maintained for supply voltages down to 2.0V, typically drawing 10µA.

Access times as fast as 10 nanoseconds are available, greatly enhancing system speeds. CMOS reduces power

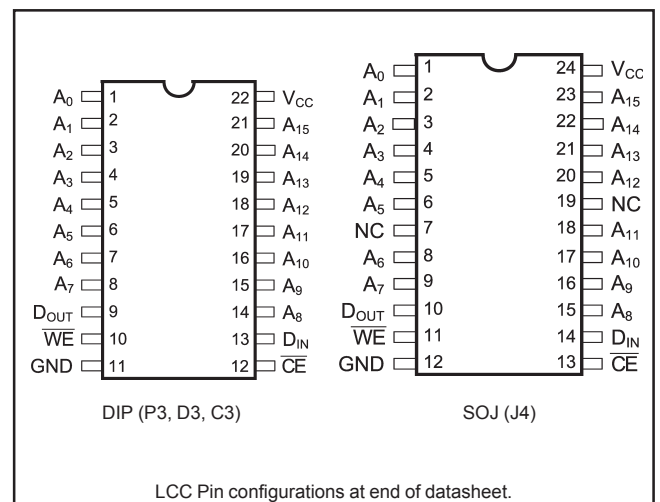
consumption to a low 743mW active, 193/83mW standby for TTL/CMOS inputs and only 5.5 mW standby for the P4C187L.

The P4C187/P4C187L are available in 22-pin 300 mil DIP, 24-pin 300 mil SOJ, 22-pin and 28-pin LCC packages providing excellent board level densities.

FUNCTIONAL BLOCK DIAGRAM



PIN CONFIGURATIONS



MAXIMUM RATINGS⁽¹⁾

Symbol	Parameter	Value	Unit
V _{CC}	Power Supply Pin with Respect to GND	-0.5 to +7	V
V _{TERM}	Terminal Voltage with Respect to GND (up to 7.0V)	-0.5 to V _{CC} +0.5	V
T _A	Operating Temperature	-55 to +125	°C

Symbol	Parameter	Value	Unit
T _{BIAS}	Temperature Under Bias	-55 to +125	°C
T _{STG}	Storage Temperature	-65 to +150	°C
P _T	Power Dissipation	1.0	W
I _{OUT}	DC Output Current	50	mA

RECOMMENDED OPERATING TEMPERATURE AND SUPPLY VOLTAGE

Grade(2)	Ambient Temperature	GND	V _{CC}
Military	-55°C to +125°C	0V	5.0V ± 10%
Industrial	-40°C to +85°C	0V	5.0V ± 10%
Commercial	0°C to +70°C	0V	5.0V ± 10%

CAPACITANCES⁽⁴⁾

V_{CC} = 5.0V, T_A = 25°C, f = 1.0MHz

Symbol	Parameter	Conditions	Typ.	Unit
C _{IN}	Input Capacitance	V _{IN} = 0V	5	pF
C _{OUT}	Output Capacitance	V _{OUT} = 0V	7	pF

DC ELECTRICAL CHARACTERISTICS

Over recommended operating temperature and supply voltage⁽²⁾

Symbol	Parameter	Test Conditions	P4C187		P4C187L		Unit
			Min	Max	Min	Max	
V _{IH}	Input High Voltage		2.2	V _{CC} +0.5	2.2	V _{CC} +0.5	V
V _{IL}	Input Low Voltage		-0.5 ⁽³⁾	0.8	-0.5 ⁽³⁾	0.8	V
V _{HC}	CMOS Input High Voltage		V _{CC} -0.2	V _{CC} +0.5	V _{CC} -0.2	V _{CC} +0.5	V
V _{LC}	CMOS Input Low Voltage		-0.5 ⁽³⁾	0.2	-0.5 ⁽³⁾	0.2	V
V _{CD}	Input Clamp Diode Voltage	V _{CC} = Min., I _{IN} = 18 mA		-1.2		-1.2	V
V _{OL}	Output Low Voltage (TTL Load)	I _{OL} = +8 mA, V _{CC} = Min.		0.4		0.4	V
V _{OH}	Output High Voltage (TTL Load)	I _{OH} = -4 mA, V _{CC} = Min.	2.4		2.4		V
I _{LI}	Input Leakage Current	V _{CC} = Max. Mil. V _{IN} = GND to V _{CC} Com'l.	-10 -5	+10 +5	-5 n/a	+5 n/a	µA
I _{LO}	Output Leakage Current	V _{CC} = Max., CE = V _{IH} , Mil. V _{OUT} = GND to V _{CC} Com'l.	-10 -5	+10 +5	-5 n/a	+5 n/a	µA
I _{SB}	Standby Power Supply Current (TTL Input Levels)	CE ≥ V _{IH} Mil. V _{CC} = Max., Ind./Com'l. f = Max., Outputs Open	— —	40 35	— —	40 n/a	mA
I _{SB1}	Standby Power Supply Current (CMOS Input Levels)	CE ≥ V _{HC} Mil. V _{CC} = Max., Ind./Com'l. f = 0, Outputs Open V _{IN} ≤ V _{LC} or V _{IN} ≥ V _{HC}	— —	20 15	— —	1.0 n/a	mA

n/a = Not Applicable

Notes:

- Stresses greater than those listed under MAXIMUM RATINGS may cause permanent damage to the device. This is a stress rating only and functional operation of the device at these or any other conditions above those indicated in the operational sections of this specification is not implied. Exposure to MAXIMUM rating conditions for extended periods may affect reliability.
- Extended temperature operation guaranteed with 400 linear feet per minute of air flow.
- Transient inputs with V_{IL} and I_L not more negative than -3.0V and -100mA, respectively, are permissible for pulse widths up to 20ns.
- This parameter is sampled and not 100% tested.

POWER DISSIPATION CHARACTERISTICS VS. SPEED

Symbol	Parameter	Temperature Range	-10	-12	-15	-20	-25	-35	-45	-55	-70	-85	Unit
I_{CC}	Dynamic Operating Current*	Commercial	180	170	160	155	150	N/A	N/A	N/A	N/A	N/A	mA
		Industrial	N/A	180	170	160	155	150	N/A	N/A	N/A	N/A	mA
		Military	N/A	N/A	170	160	155	150	145	145	145	145	mA

* $V_{CC} = 5.5V$. Tested with outputs open. $f = \text{Max}$. Switching inputs are 0V and 3V. $\overline{CE} = V_{IL}$.

DATA RETENTION CHARACTERISTICS (P4C187L Military Temperature Only)

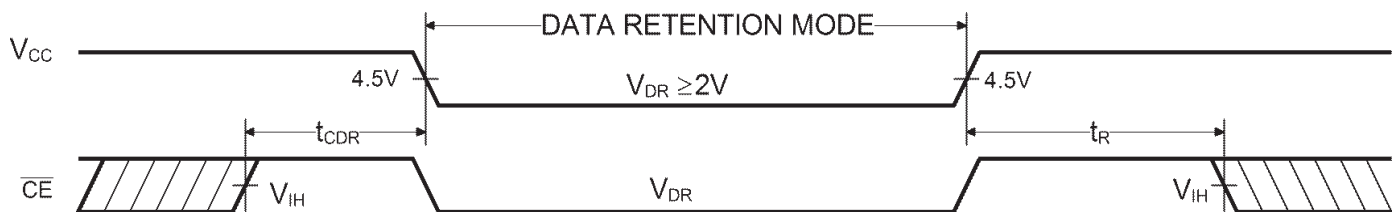
Symbol	Parameter	Test Conditions	Min	Typ.*		Max		Unit
				$V_{CC} = 2.0V$	$V_{CC} = 3.0V$	$V_{CC} = 2.0V$	$V_{CC} = 3.0V$	
V_{DR}	V_{CC} for Data Retention		2.0					V
I_{CCDR}	Data Retention Current	$\overline{CE} \geq V_{CC} - 0.2V$, $V_{IN} \geq V_{CC} - 0.2V$ or $V_{IN} \leq 0.2V$		10	15	600	900	μA
t_{CDR}	Chip Deselect to Data Retention Time		0					ns
t_R^\dagger	Operation Recovery Time		t_{RC}^{\S}					ns

* $T_A = +25^\circ C$

$\S t_{RC}$ = Read Cycle Time

\dagger This parameter is guaranteed but not tested.

DATA RETENTION WAVEFORM

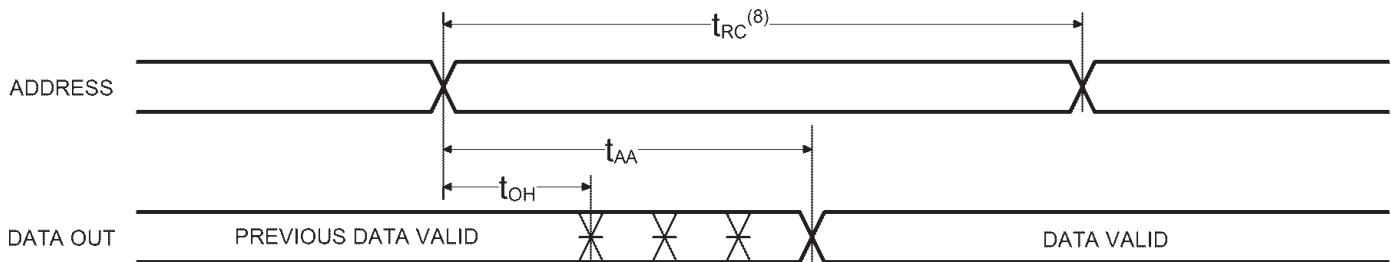


AC CHARACTERISTICS—READ CYCLE

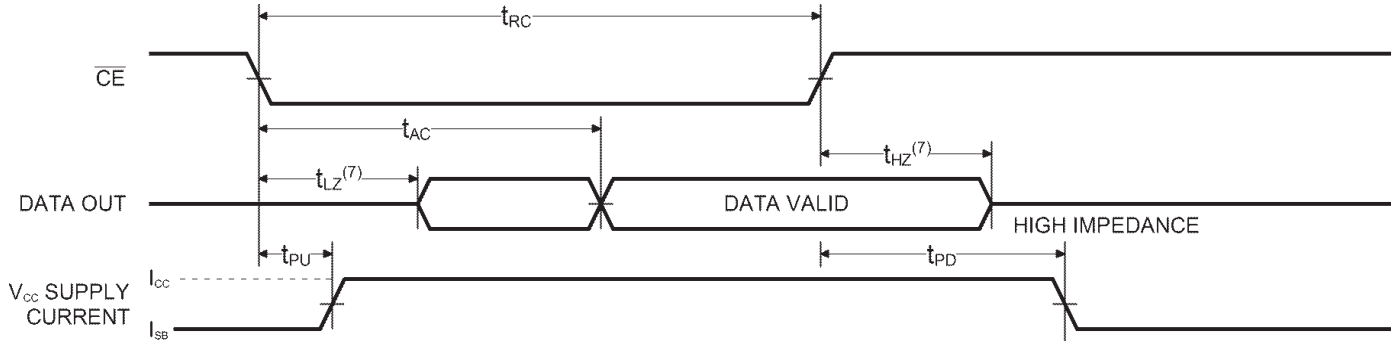
($V_{CC} = 5V \pm 10\%$, All Temperature Ranges)⁽²⁾

Symbol	Parameter	-10		-12		-15		-20		-25		-35		-45		-55		-70		-85	
		Min	Max	Min	Max	Min	Max	Min	Max	Min	Max	Min	Max	Min	Max	Min	Max	Min	Max	Min	Max
t_{RC}	Read Cycle Time	10		12		15		20		25		35		45		55		70		85	
t_{AA}	Address Access Time		10		12		15		20		25		35		45		55		70		85
t_{AC}	Chip Enable Access Time		10		12		15		20		25		35		45		65		70		85
t_{OH}	Output Hold from Address Change	2		2		2		2		2		2		2		2		2		2	
t_{LZ}	Chip Enable to Output in Low Z	2		2		2		2		2		2		2		2		2		2	
t_{HZ}	Chip Disable to Output in High Z		5		6		8		10		12		17		20		25		30		35
t_{PU}	Chip Enable to Power Up Time	0		0		0		0		0		0		0		0		0		0	
t_{PD}	Chip Disable to Power Down Time		10		12		15		20		25		35		45		55		70		85

TIMING WAVEFORM OF READ CYCLE NO. 1⁽⁵⁾



TIMING WAVEFORM OF READ CYCLE NO. 2⁽⁶⁾



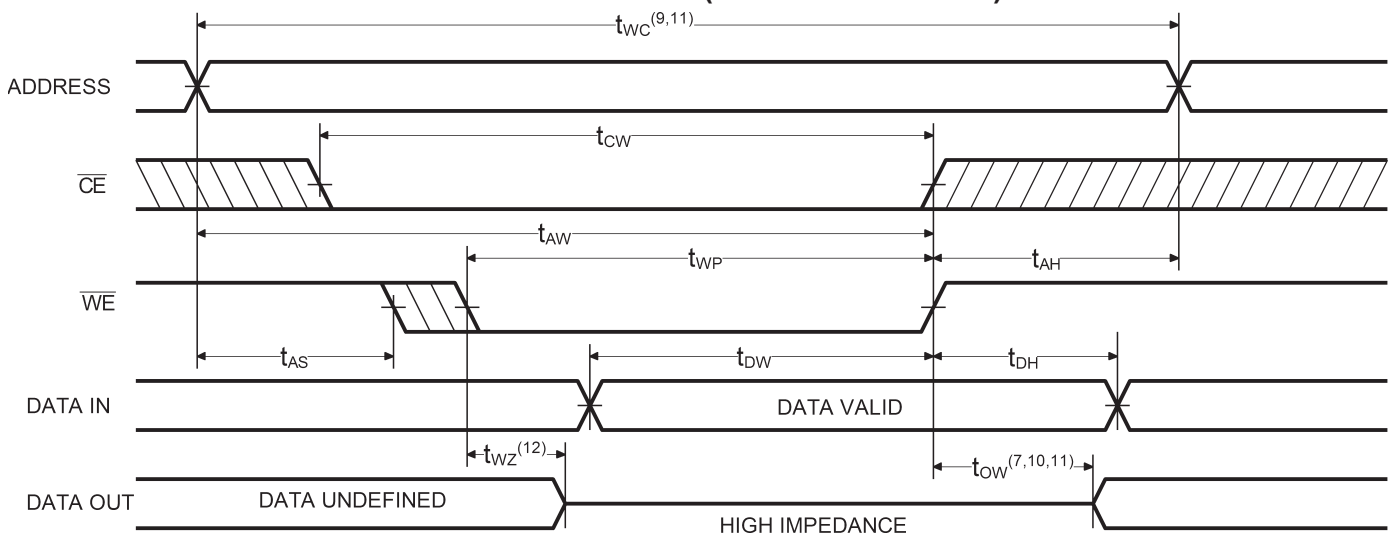
Notes:

5. \overline{CE} is LOW and \overline{WE} is HIGH for READ cycle.
 6. \overline{WE} is HIGH, and address must be valid prior to or coincident with \overline{CE} transition LOW.

7. Transition is measured $\pm 200\text{mV}$ from steady state voltage prior to change with specified loading in Figure 1. This parameter is sampled and not 100% tested.
 8. Read Cycle Time is measured from the last valid address to the first transitioning address.

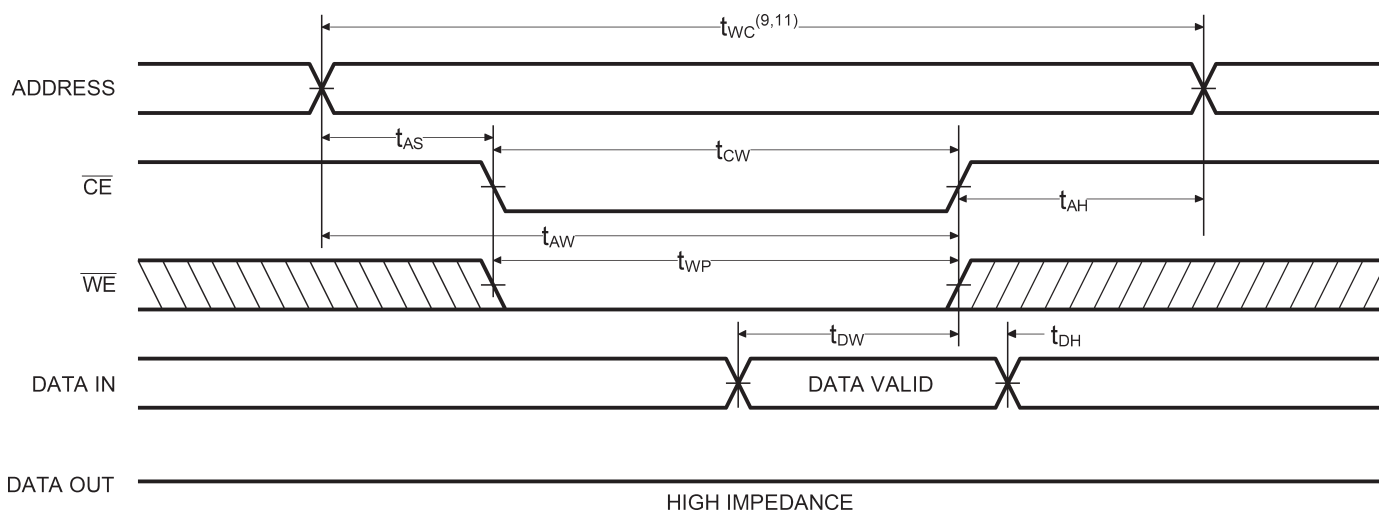
AC CHARACTERISTICS - WRITE CYCLE $(V_{CC} = 5V \pm 10\%, \text{ All Temperature Ranges})^{(2)}$

Symbol	Parameter	-10		-12		-15		-20		-25		-35		-45		-55		-70		-85	
		Min	Max	Min	Max	Min	Max	Min	Max	Min	Max	Min	Max	Min	Max	Min	Max	Min	Max	Min	Max
t_{WC}	Write Cycle Time	10		12		15		20		25		35		45		55		70		85	
t_{CW}	Chip Enable Time to End of Write	8		10		12		15		20		25		30		35		40		45	
t_{AW}	Address Valid to End of Write	8		10		12		15		20		25		30		35		40		45	
t_{AS}	Address Set-up Time	0		0		0		0		0		0		0		0		0		0	
t_{WP}	Write Pulse Width	8		10		12		15		20		25		30		35		40		45	
t_{AH}	Address Hold Time from End of Write	0		0		0		0		0		0		0		0		0		0	
t_{DW}	Data Valid to End of Write	6		7		10		13		15		20		25		30		35		40	
t_{DH}	Data Hold Time	0		0		0		0		0		0		0		0		0		0	
t_{WZ}	Write Enable to Output in High Z		6		7		8		12		15		17		20		25		30		35
t_{OW}	Output Active from End of Write	0		0		0		0		0		0		0		0		0		0	

TIMING WAVEFORM OF WRITE CYCLE NO. 1 (\overline{WE} CONTROLLED)⁽⁹⁾**Notes:**

9. \overline{CE} and \overline{WE} must be LOW for WRITE cycle.
10. If \overline{CE} goes HIGH simultaneously with \overline{WE} HIGH, the output remains in a high impedance state.
11. Write Cycle Time is measured from the last valid address to the first transition address.

TIMING WAVEFORM OF WRITE CYCLE NO. 2 (\overline{CE} CONTROLLED)⁽⁹⁾



AC TEST CONDITIONS

Input Pulse Levels	GND to 3.0V
Input Rise and Fall Times	3ns
Input Timing Reference Level	1.5V
Output Timing Reference Level	1.5V
Output Load	See Figures 1 and 2

TRUTH TABLE

Mode	\overline{CE}	\overline{WE}	Output	Power
Standby	H	X	High Z	Standby
Read	L	H	D _{OUT}	Active
Write	L	L	High Z	Active

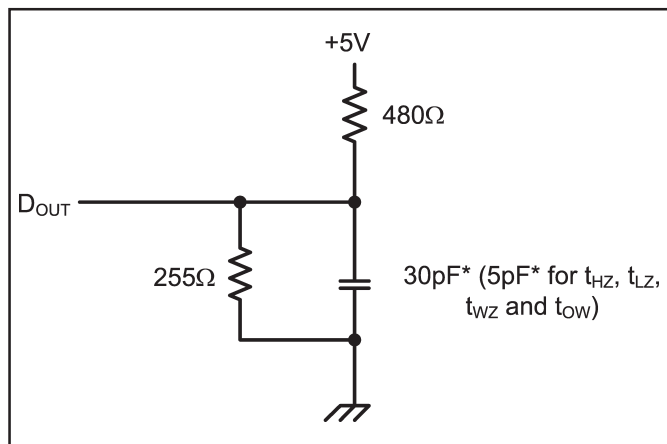


Figure 1. Output Load

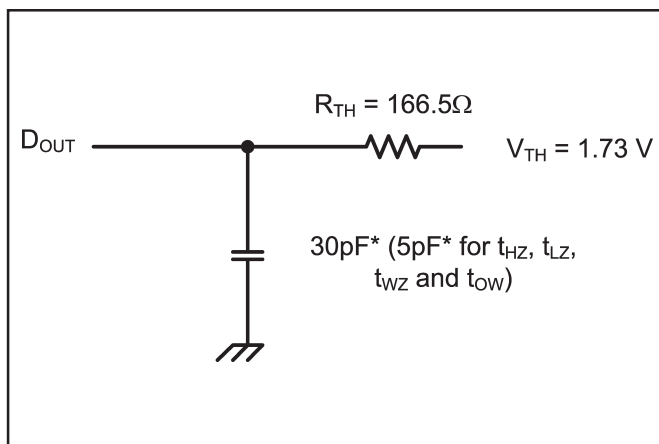


Figure 2. Thevenin Equivalent

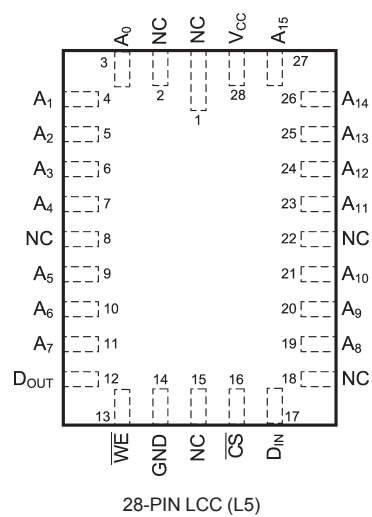
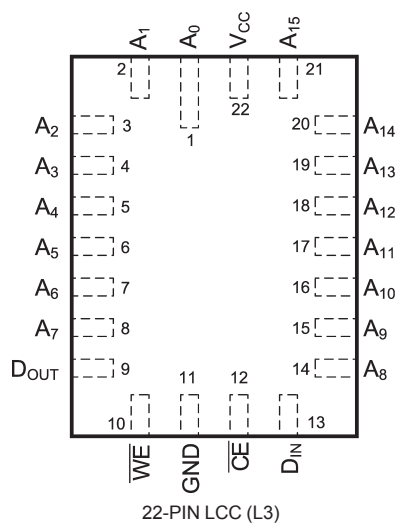
* including scope and test fixture.

Note:

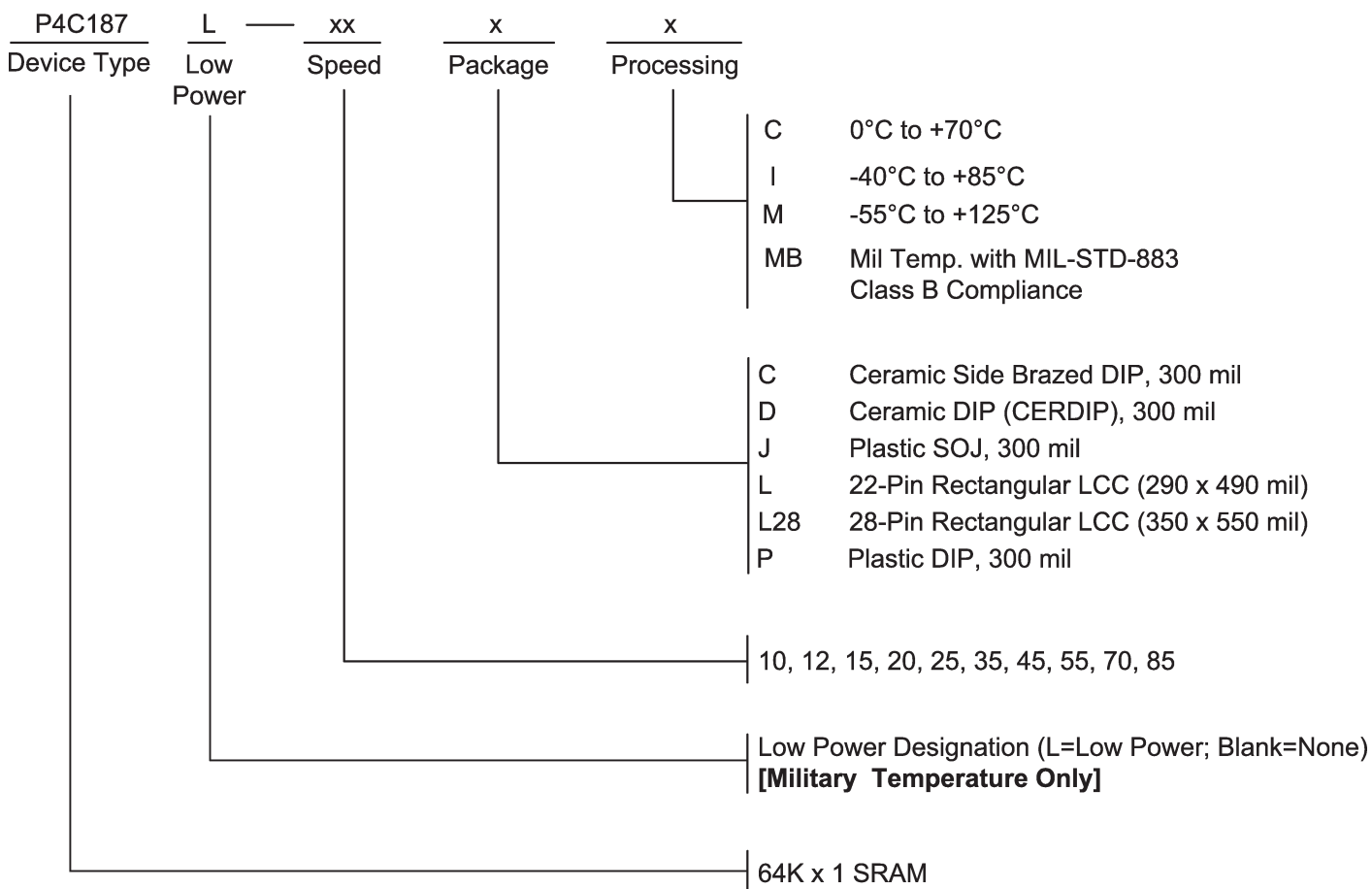
Due to the ultra-high speed of the P4C187/L, care must be taken when testing this device; an inadequate setup can cause a normal functioning part to be rejected as faulty. Long high-inductance leads that cause supply bounce must be avoided by bringing the V_{CC} and ground planes directly up to the contactor fingers. A 0.01 μF high frequency capacitor is also required between V_{CC} and ground. To avoid signal reflections,

proper termination must be used; for example, a 50Ω test environment should be terminated into a 50Ω load with 1.73V (Thevenin Voltage) at the comparator input, and a 116Ω resistor must be used in series with D_{OUT} to match 166Ω (Thevenin Resistance).

LCC PIN CONFIGURATIONS



ORDERING INFORMATION



SELECTION GUIDE

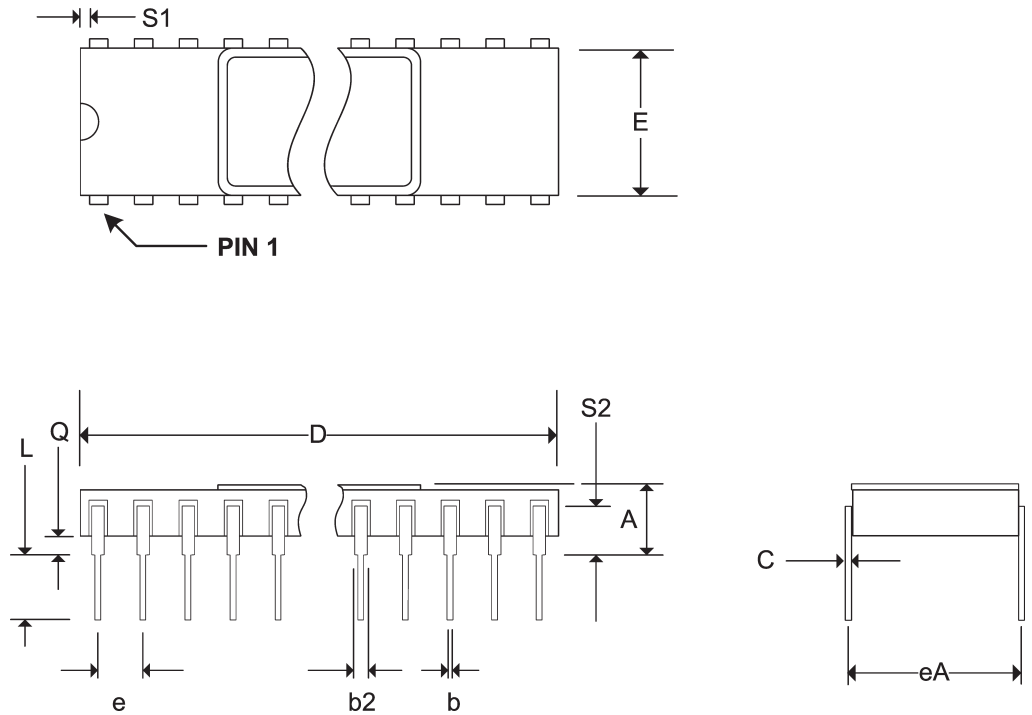
The P4C187 is available in the following temperature, speed and package options. The P4C187L is only available over the military temperature range.

Temperature Range	Package	Speed (ns)									
		10	12	15	20	25	35	45	55	70	85
Commercial	Plastic DIP	-10PC	-12PC	-15PC	-20PC	-25PC	-35PC	-45PC	N/A	N/A	N/A
	Plastic SOJ	-10JC	-12JC	-15JC	-20JC	-25JC	-35JC	-45JC	N/A	N/A	N/A
Industrial	Plastic DIP	N/A	-12PI	-15PI	-20PI	-25PI	-35PI	-45PI	N/A	N/A	N/A
	Plastic SOJ	N/A	-12JI	-15JI	-20JI	-25JI	-35JI	-45JI	N/A	N/A	N/A
Military Temperature	Side Brazed DIP	N/A	N/A	-15CM	-20CM	-25CM	-35CM	-45CM	-55CM	-70CM	-85CM
	CERDIP	N/A	N/A	-15DM	-20DM	-25DM	-35DM	-45DM	-55DM	-70DM	-85DM
	LCC (28 Pin)	N/A	N/A	-15L28M	-20L28M	-25L28M	-35L28M	-45L28M	-55L28M	-70L28M	-85L28M
	LCC (22 Pin)	N/A	N/A	-15LM	-20LM	-25LM	-35LM	-45LM	-55LM	-70LM	-85LM
Military Processed*	Side Brazed DIP	N/A	N/A	-15CMB	-20CMB	-25CMB	-35CMB	-45CMB	-55CMB	-70CMB	-85CMB
	CERDIP	N/A	N/A	-15DMB	-20DMB	-25DMB	-35DMB	-45DMB	-55DMB	-70DMB	-85DMB
	LCC (28 Pin)	N/A	N/A	-15L28MB	-20L28MB	-25L28MB	-35L28MB	-45L28MB	-55L28MB	-70L28MB	-85L28MB
	LCC (22 Pin)	N/A	N/A	-15LMB	-20LMB	-25LMB	-35LMB	-45LMB	-55LMB	-70LMB	-85LMB

* Military temperature range with MIL-STD-883, Class B processing.
N/A = Not Available

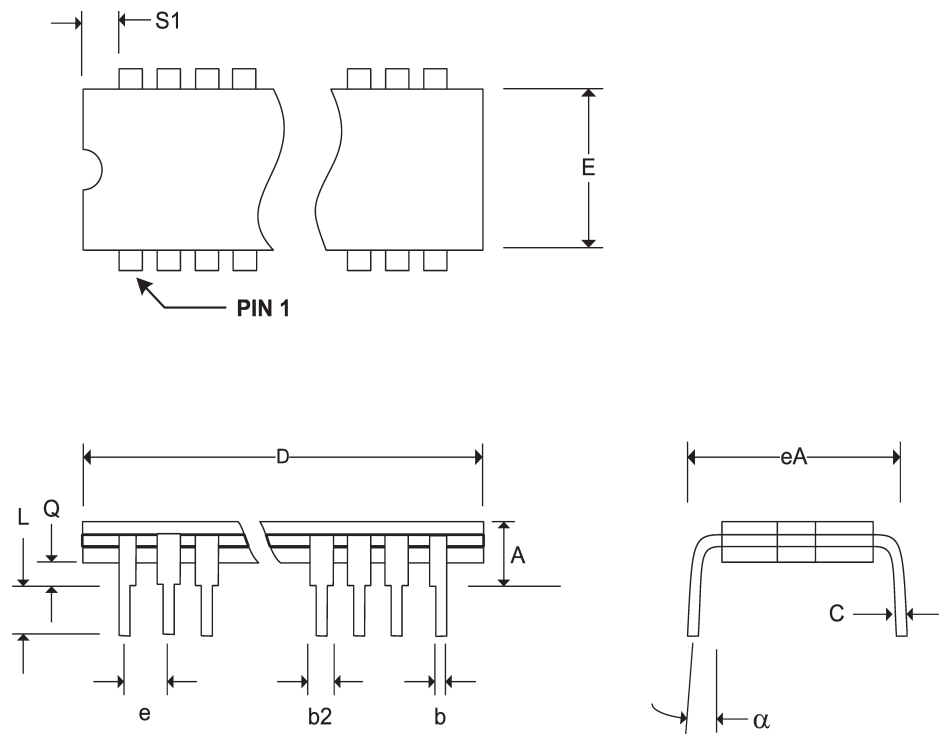
Pkg #	C3	
# Pins	22 (300 mil)	
Symbol	Min	Max
A	0.100	0.200
b	0.014	0.023
b2	0.030	0.060
C	0.008	0.015
D	1.050	1.260
E	0.260	0.310
eA	0.300 BSC	
e	0.100 BSC	
L	0.125	0.200
Q	0.015	0.070
S1	0.005	-
S2	0.005	-

SIDE BRAZED DUAL IN-LINE PACKAGES



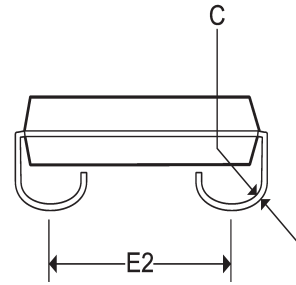
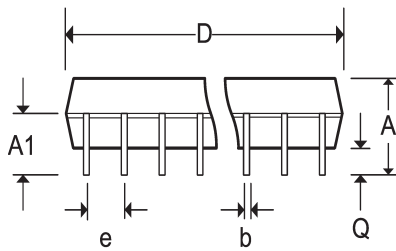
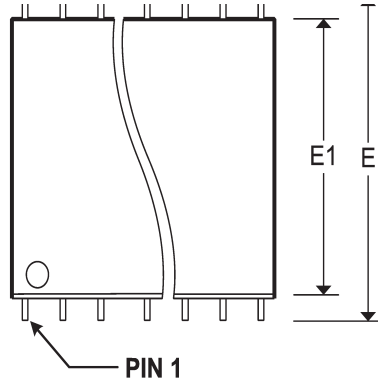
Pkg #	D3	
# Pins	22 (300 mil)	
Symbol	Min	Max
A	-	0.225
b	0.015	0.020
b2	0.045	0.065
C	0.009	0.012
D	1.060	1.110
E	0.290	0.320
eA	0.300 BSC	
e	0.100 BSC	
L	0.125	0.200
Q	0.015	0.060
S1	0.005	-
α	0°	15°

CERDIP DUAL IN-LINE PACKAGE



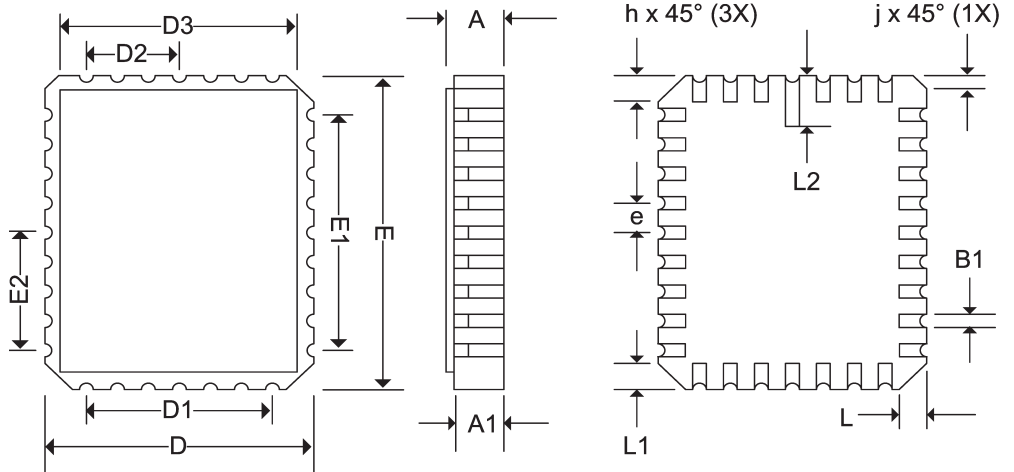
Pkg #	J4	
# Pins	24 (300 mil)	
Symbol	Min	Max
A	0.128	0.148
A1	0.082	-
b	0.016	0.020
C	0.007	0.010
D	0.620	0.630
e	0.050 BSC	
E	0.335 BSC	
E1	0.292	0.300
E2	0.267 BSC	
Q	0.025	-

SOJ SMALL OUTLINE IC PACKAGE



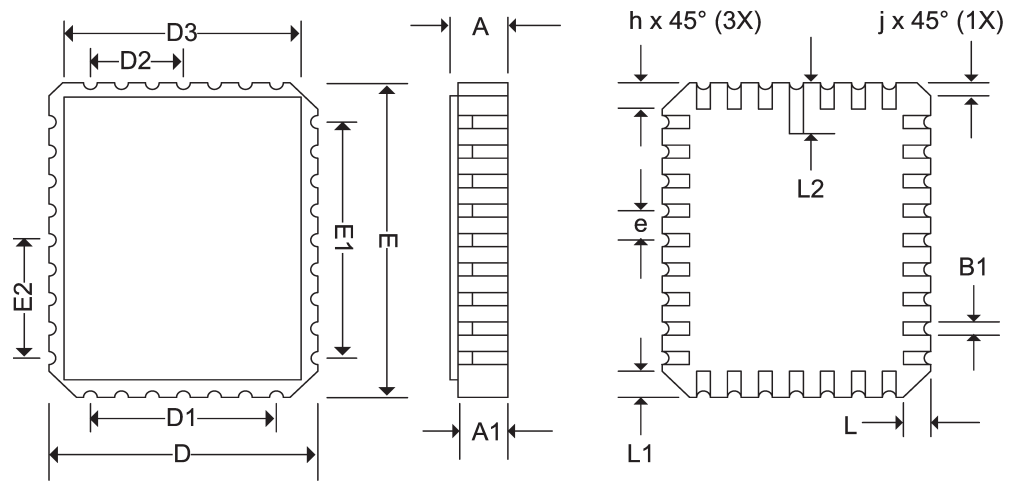
Pkg #	L3	
# Pins	22	
Symbol	Min	Max
A	0.060	0.080
A1	0.050	0.068
B1	0.022	0.028
D	0.284	0.296
D1	0.150 BSC	
D2	0.075 BSC	
D3	-	0.296
E	0.484	0.496
E1	0.300 BSC	
E2	0.150 BSC	
E3	-	0.496
e	0.050 BSC	
h	R = .012	
j	R = .012	
L	0.039	0.051
L1	0.039	0.051
L1	0.058	0.072
ND	4	
NE	7	

RECTANGULAR LEADLESS CHIP CARRIER



Pkg #	L5	
# Pins	28	
Symbol	Min	Max
A	0.060	0.075
A1	0.050	0.065
B1	0.022	0.028
D	0.342	0.358
D1	0.200 BSC	
D2	0.100 BSC	
D3	-	0.358
E	0.540	0.560
E1	0.400 BSC	
E2	0.200 BSC	
E3	-	0.558
e	0.050 BSC	
h	0.040 REF	
j	0.020 REF	
L	0.045	0.055
L1	0.045	0.055
L2	0.075	0.095
ND	5	
NE	9	

RECTANGULAR LEADLESS CHIP CARRIER



Pkg #	P3	
# Pins	22 (300 Mil)	
Symbol	Min	Max
A	-	0.210
A1	0.015	-
b	0.014	0.022
b2	0.045	0.070
C	0.008	0.014
D	1.145	1.165
E1	0.240	0.280
E	0.300	0.325
e	0.100 BSC	
eB	-	0.430
L	0.115	0.150
α	0°	15°

PLASTIC DUAL IN-LINE PACKAGE

