

# P4C150

## ULTRA HIGH SPEED 1K X 4

### RESETTABLE STATIC CMOS RAM



#### FEATURES

- Full CMOS, 6T Cell
- High Speed (Equal Access and Cycle Times)
  - 10/12/15/20/25 ns (Commercial)
  - 15/20/25/35 ns (Military)
- Chip Clear Function
- Low Power Operation
  - 713 mW Active    -10 ns (Commercial)
  - 550 mW Active    -25 ns (Commercial)
- Single 5V ± 10% Power Supply
- Separate Input and Output Ports
- Three-State Outputs
- Fully TTL Compatible Inputs and Outputs
- Standard Pinout (JEDEC Approved)
  - 24-Pin 300 mil DIP
  - 24-Pin 300 mil SOIC
  - 28-Pin LCC (350 x 550 mils)
  - 24-Pin CERPACK



#### DESCRIPTION

The P4C150 is a 4,096-bit ultra high-speed static RAM organized as 1K x 4 for high speed cache applications. The RAM features a reset control to enable clearing all words to zero within two cycle times. The CMOS memory requires no clocks or refreshing, and has equal access and cycle times. Inputs and outputs are fully TTL-compatible. The RAM operates from a single 5V ± 10% tolerance power supply.

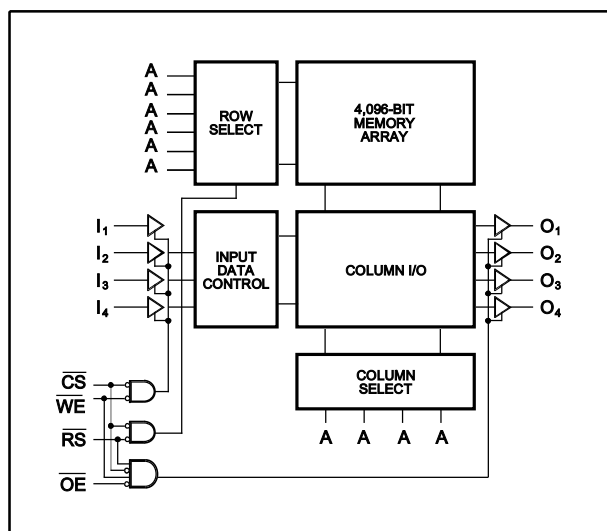
Time required to reset is only 20 ns for the 10 ns SRAM. CMOS is used to reduce power consumption to a low level.

The P4C150 is available in 24-pin 300 mil DIP and SOIC packages providing excellent board level densities. The device is also available in a 28-pin LCC package as well as a 24-pin FLATPACK for military applications.

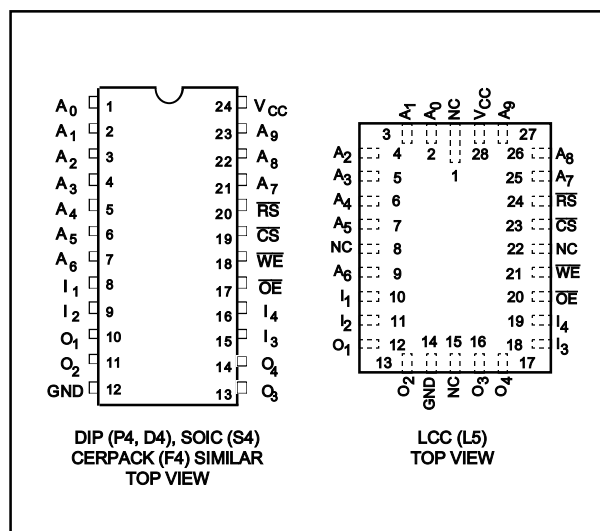
Access times as fast as 10 nanoseconds are available permitting greatly enhanced system operating speeds.



#### FUNCTIONAL BLOCK DIAGRAM



#### PIN CONFIGURATIONS





### MAXIMUM RATINGS<sup>(1)</sup>

Symbol	Parameter	Value	Unit
$V_{CC}$	Power Supply Pin with Respect to GND	-0.5 to +7	V
$V_{TERM}$	Terminal Voltage with Respect to GND (up to 7.0V)	-0.5 to $V_{CC} + 0.5$	V
$T_A$	Operating Temperature	-55 to +125	°C

Symbol	Parameter	Value	Unit
$T_{BIAS}$	Temperature Under Bias	-55 to +125	°C
$T_{STG}$	Storage Temperature	-65 to +150	°C
$P_T$	Power Dissipation	1.0	W
$I_{OUT}$	DC Output Current	50	mA

### RECOMMENDED OPERATING CONDITIONS

Grade <sup>(2)</sup>	Ambient Temp	Gnd	$V_{CC}$
Commercial	0°C to 70°C	0V	5.0V ± 10%
Military	-55°C to +125°C	0V	5.0V ± 10%

### CAPACITANCES<sup>(4)</sup>

( $V_{CC} = 5.0V$ ,  $T_A = 25°C$ ,  $f = 1.0MHz$ )

Symbol	Parameter	Conditions	Typ.	Unit
$C_{IN}$	Input Capacitance	$V_{IN} = 0V$	5	pF
$C_{OUT}$	Output Capacitance	$V_{OUT} = 0V$	7	pF

### DC ELECTRICAL CHARACTERISTICS

Over recommended operating temperature and supply voltage (2)

Symbol	Parameter	Test Conditions	P4C147		Unit
			Min.	Max.	
$V_{OH}$	Output High Voltage (TTL Load)	$I_{OH} = -4 mA$ , $V_{CC} = \text{Min.}$	2.4		V
$V_{OL}$	Output Low Voltage (TTL Load)	$I_{OL} = +8 mA$ , $V_{CC} = \text{Min.}$		0.4	V
$V_{IH}$	Input High Voltage		2.2	$V_{CC} = +0.5$	V
$V_{IL}$	Input Low Voltage		-0.5 <sup>(3)</sup>	0.8	V
$I_{LI}$	Input Leakage Current	$V_{CC} = \text{Max.}$ , $V_{IN} = \text{GND to } V_{CC}$	-5	+5	μA
$I_{LO}$	Output Leakage Current	$V_{CC} = \text{Max.}$ , $\overline{CS} = V_{IH}$ , $V_{OUT} = \text{GND to } V_{CC}$	-5	+5	μA

### POWER DISSIPATION CHARACTERISTICS VS. SPEED

Symbol	Parameter	Temperature Range							Unit
			-10	-12	-15	-20	-25	-35	
$I_{CC}$	Dynamic Operating Current	Commercial	130	130	120	115	100	N/A	mA
		Military	N/A	N/A	145	135	125	120	mA

**Notes:**

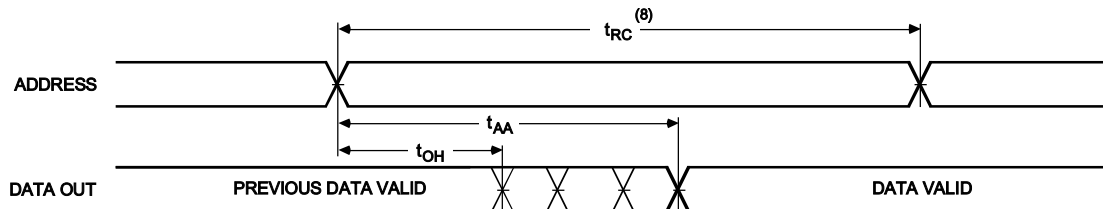
- Stresses greater than those listed under MAXIMUM RATINGS may cause permanent damage to the device. This is a stress rating only and functional operation of the device at these or any other conditions above those indicated in the operational sections of this specification is not implied. Exposure to MAXIMUM rating conditions for extended periods may affect reliability.
- Extended temperature operation guaranteed with 400 linear feet per minute of air flow.
- Transient inputs with  $V_{IL}$  and  $I_{IL}$  not more negative than -3.0V and -100mA, respectively, are permissible for pulse widths up to 20ns.
- This parameter is sampled and not 100% tested.

### AC CHARACTERISTICS—READ CYCLE

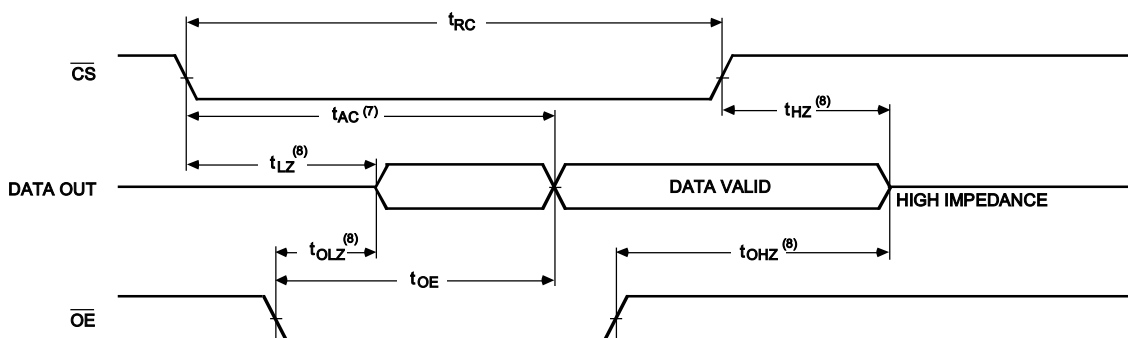
(V<sub>CC</sub> = 5V ± 10%, All Temperature Ranges)<sup>(2)</sup>

Sym.	Parameter	-10		-12		-15		-20		-25		-35		Unit
		Min	Max	Min	Max	Min	Max	Min	Max	Min	Max	Min	Max	
t <sub>RC</sub>	Read Cycle Time	10		12		15		20		25		35		ns
t <sub>AA</sub>	Address Access Time		10		12		15		20		25		35	ns
t <sub>AC</sub>	Chip Select Access Time		8		10		12		14		15		35	ns
t <sub>OH</sub>	Output Hold from Address Change	2		2		2		2		2		2		ns
t <sub>LZ</sub>	Chip Enable to Output in Low Z	2		2		2		2		2		2		ns
t <sub>HZ</sub>	Chip Disable to Output in High Z		4		6		8		10		13		15	ns
t <sub>OE</sub>	Output Enable to Data Valid		7		9		10		14		15		20	ns
t <sub>OLZ</sub>	Output Enable to Output in Low Z	2		2		2		2		2		2		ns
t <sub>OHZ</sub>	Output Disable to Output in High Z		5		7		9		11		13		16	ns

#### TIMING WAVEFORM OF READ CYCLE NO. 1<sup>(5,6)</sup>



#### TIMING WAVEFORM OF READ CYCLE NO. 2 ( $\overline{CS}$ CONTROLLED)<sup>(5, 7)</sup>



**Notes:**

5.  $\overline{WE}$  is HIGH for READ cycle.

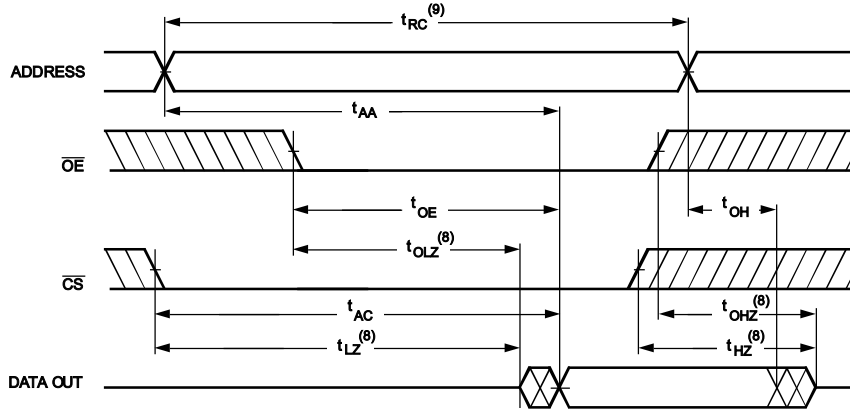
6.  $\overline{CS}$  and  $\overline{OE}$  are LOW for READ cycle.

7. ADDRESS must be valid prior to, or coincident with,  $\overline{CS}$  transition LOW, t<sub>AA</sub> must still be met.

8. Transition is measured ±200 mV from steady state voltage prior to change, with loading as specified in Figure 1.

9. Read Cycle Time is measured from the last valid address to the first transitioning address.

**TIMING WAVEFORM OF READ CYCLE NO. 3 ( $\overline{OE}$  Controlled)<sup>(5)</sup>**

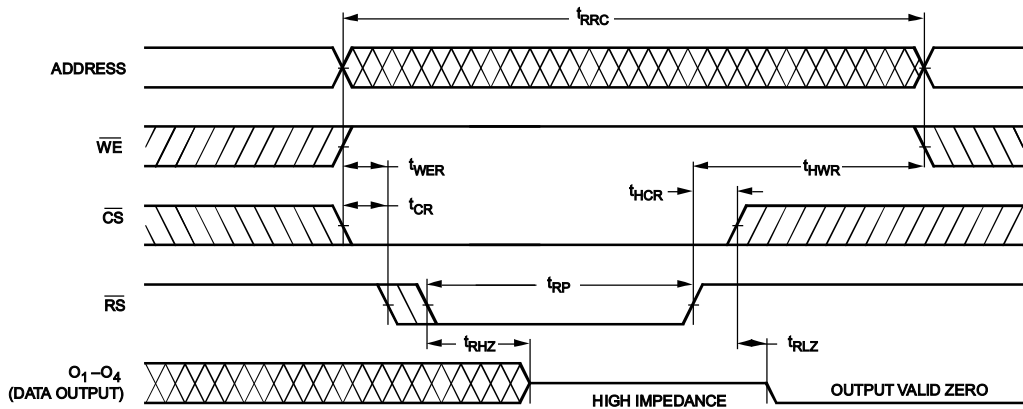


**AC CHARACTERISTICS—RESET CYCLE**

( $V_{CC} = 5V \pm 10\%$ , All Temperature Ranges)<sup>(2)</sup>

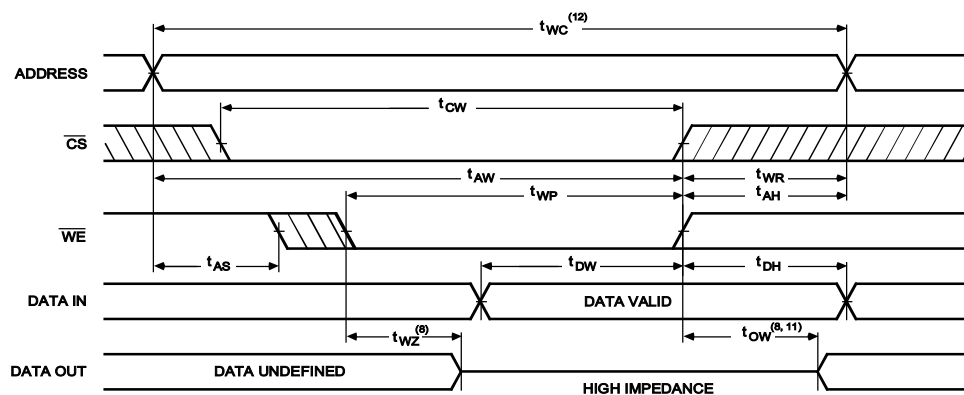
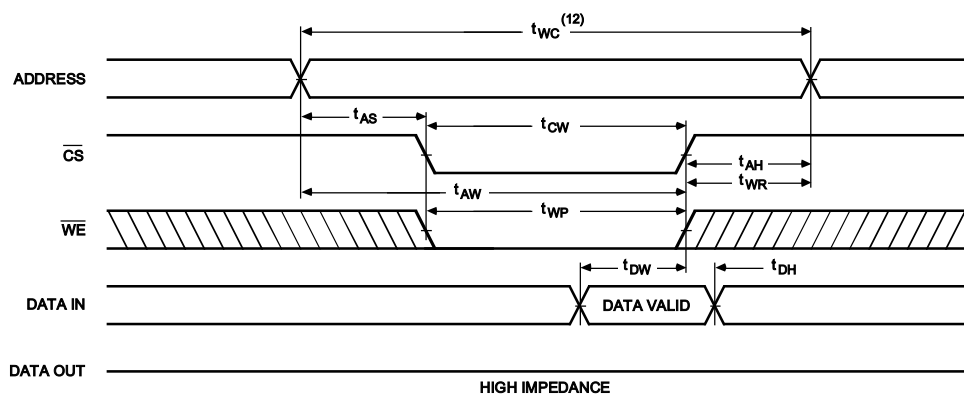
Symbol	Parameter	-10		-12		-15		-20		-25		-35		Unit
		Min	Max	Min	Max	Min	Max	Min	Max	Min	Max	Min	Max	
$t_{RRC}$	Reset Cycle Time	20		24		30		40		50		70		ns
$t_{WER}$	Write Enable High to Beginning of Reset	0		0		0		0		0		0		ns
$t_{CR}$	Chip Select Low to Beginning of Reset	0		0		0		0		0		0		ns
$t_{RP}$	Reset Pulse Width	10		12		15		20		25		30		ns
$t_{HCR}$	Chip Select Hold after End of Reset	0		0		0		0		0		0		ns
$t_{HWR}$	Write Enable Hold after End of Reset	10		12		15		20		25		35		ns
$t_{RLZ}$	Reset High to Output in Low Z	0		0		0		0		0		0		ns
$t_{RHZ}$	Reset Low to Output in High Z	0	8	0	10	0	12	0	16	0	20	0		ns

**TIMING WAVEFORM OF RESET CYCLE**



**AC CHARACTERISTICS—WRITE CYCLE** $(V_{CC} = 5V \pm 10\%, \text{ All Temperature Ranges})^{(2)}$ 

Sym.	Parameter	-10		-12		-15		-20		-25		-35		Unit
		Min	Max	Min	Max	Min	Max	Min	Max	Min	Max	Min	Max	
$t_{WC}$	Write Cycle Time	10		12		15		20		25		35		ns
$t_{CW}$	Chip Enable Time to End of Write	8		10		11		13		15		20		ns
$t_{AW}$	Address Valid to End of Write	8		10		13		16		20		25		ns
$t_{AS}$	Address Set-up Time	0		1		1		1		2		2		ns
$t_{WP}$	Write Pulse Width	8		10		11		13		15		20		ns
$t_{AH}$	Address Hold Time from End of Write	0		1		1		1		2		2		ns
$t_{DW}$	Data Valid to End of Write	5		8		11		13		15		20		ns
$t_{DH}$	Data Hold Time	0		1		1		1		2		2		ns
$t_{WZ}$	Write Enable to Output in High Z		5		8		12		15		20		25	ns
$t_{OW}$	Output Active from End of Write	2		2		2		3		3		3		ns

**TIMING WAVEFORM OF WRITE CYCLE NO. 1 ( $\overline{WE}$  CONTROLLED)<sup>(10)</sup>****TIMING WAVEFORM OF WRITE CYCLE NO. 2 ( $\overline{CS}$  CONTROLLED)<sup>(10)</sup>****Notes:**10.  $\overline{CS}$  and  $\overline{WE}$  must be LOW for WRITE cycle.11. If  $\overline{CS}$  goes HIGH simultaneously with  $\overline{WE}$  high, the output remains in a high impedance state.

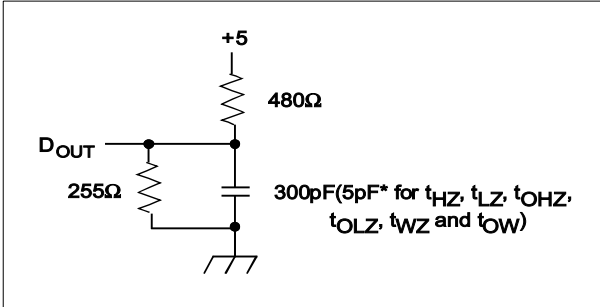
12. Write Cycle Time is measured from the last valid address to the first transition address.

**AC TEST CONDITIONS**

Input Pulse Levels	GND to 3.0V
Input Rise and Fall Times	3ns
Input Timing Reference Level	1.5V
Output Timing Reference Level	1.5V
Output Load	See Figures 1 and 2

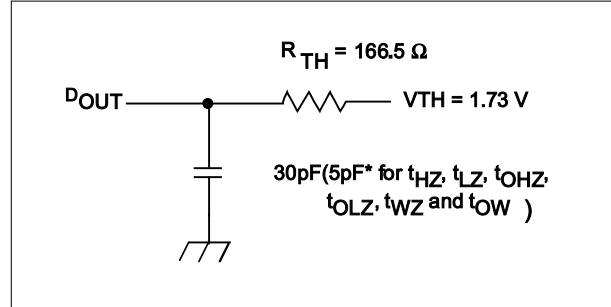
**TRUTH TABLE**

Mode	$\overline{RS}$	$\overline{CS}$	$\overline{OE}$	$\overline{WE}$	Output
Not Selected	X	H	X	X	High Z
RESET	L	L	X	H	High Z
Output Disabled	H	L	H	H	High Z
READ	H	L	L	H	$D_{OUT}$
WRITE	H	L	X	L	High Z



**Figure 1. Output Load**

\* including scope and test fixture.



**Figure 2. Thevenin Equivalent**

**Note:**

Due to the ultra-high speed of the P4C150, care must be taken when testing this device; an inadequate setup can cause a normal functioning part to be rejected as faulty. Long high-inductance leads that cause supply bounce must be avoided by bringing the  $V_{CC}$  and ground planes directly up to the contactor fingers. A 0.01  $\mu$ F high frequency capacitor is also required between  $V_{CC}$  and ground. To avoid signal reflections,

proper termination must be used; for example, a 50 $\Omega$  test environment should be terminated into a 50 $\Omega$  load with 1.73V (Thevenin Voltage) at the comparator input, and a 116 $\Omega$  resistor must be used in series with  $D_{OUT}$  to match 166 $\Omega$  (Thevenin Resistance).

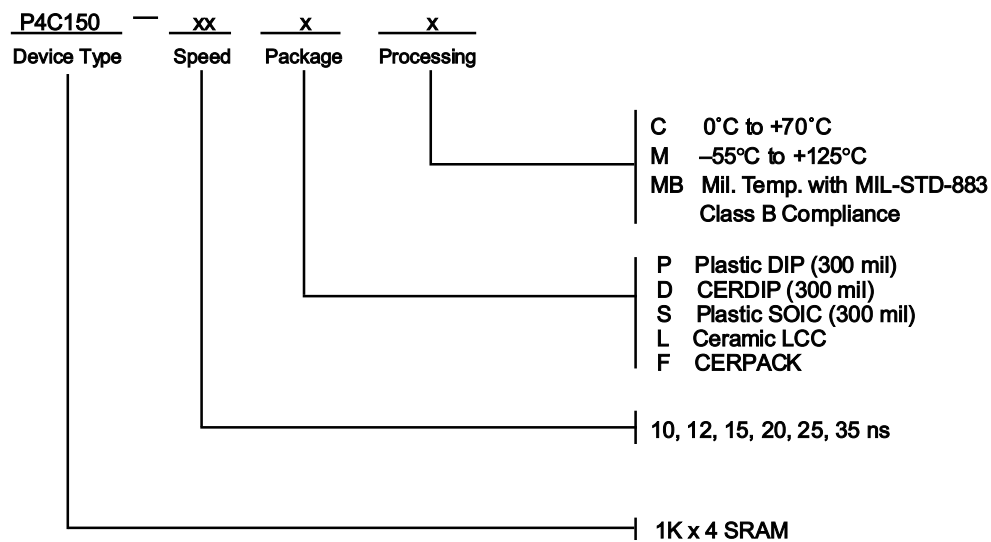
**PACKAGE SUFFIX**

Package Suffix	Description
P	Plastic DIP, 300 mil wide standard
D	CERDIP, 300 mil wide
L	LCC
F	CERPACK
S	SOIC

**TEMPERATURE RANGE SUFFIX**

Temperature Range Suffix	Description
C	Commercial Temperature Range, 0°C to +70°C. Military Temperature Range, -55°C to +125°C. Mil. Temp. with MIL-STD-883 Class B Compliance.
M	
MB	

**ORDERING INFORMATION**



The P4C150 is also available to SMD-5962-88588

**SELECTION GUIDE**

The P4C150 is available in the following temperature, speed and package options.

Temperature Range	Package	Speed (ns)					
		10	12	15	20	25	35
Commercial	Plastic DIP	-10PC	-12PC	-15PC	-20PC	-25PC	N/A
	SOIC	-10SC	-12SC	-15SC	-20SC	-25SC	N/A
Military Temp.	CERDIP (300 mil)	N/A	N/A	-15DM	-20DM	-25DM	-35DM
	LCC	N/A	N/A	-15LM	-20LM	-25LM	-35LM
	CERPACK	N/A	N/A	-15FM	-20FM	-25FM	-35FM
Military Processed*	CERDIP (300 mil)	N/A	N/A	-15DMB	-20DMB	-25DMB	-35DMB
	LCC	N/A	N/A	-15LMB	-20LMB	-25LMB	-35LMB
	CERPACK	N/A	N/A	-15FMB	-20FMB	-25FMB	-35FMB

\* Military temperature range with MIL-STD-883, Class B processing.

N/A = Not Available

