

Helping Customers Innovate, Improve & Grow



Features

- 4-Pin Dip
- Fast Warm-up
- Frequency Range: 80 MHz to 120 MHz
- Low g-sensitivity
- Low Phase Noise

Applications

- Base Stations
- Test Equipment
- Synthesizers
- Military Communication Equipment

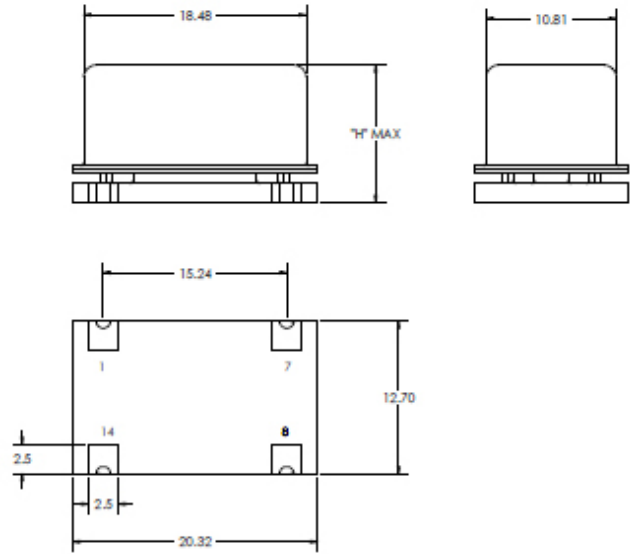
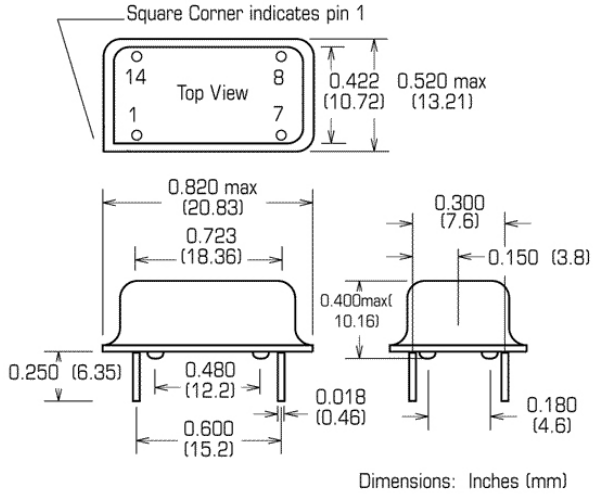
Performance Specifications

Frequency Stabilities ¹ (SC-Cut Crystal-Option)					
Parameter	Min	Typical	Max	Unit	Condition
vs. operating temperature range (referenced to +25°C)	-200		+200	ppb	-40 to +85°C
	-150		+150	ppb	-20 to +70°C
	-100		+100	ppb	-0 to +70°C
	-50		+50	ppb	-40 to +85°C (height code 0 and 3 only)
	-35		+35	ppb	-20 to +70°C (height code 0 and 3 only)
	-25		+25	ppb	-0 to +70°C (height code 0 and 3 only)
Initial tolerance vs. supply voltage change	-0.2		+0.2	ppm	at time of shipment, nominal EFC
	-50		+50	ppb	V _s ±5% static (height code 0 and 2)
	-25		+25	ppb	V _s ±5% static (height code 1 and 3)
	-10		+10	ppb	Load ±5% static
vs. load change	-3		+3	ppb	after 30 days of operation
vs. aging/day	-300		+300	ppb	after 30 days of operation
Warm-up time			2	minutes	to ±100ppb of final frequency (1 hour reading) @ +25°C

Performance Specifications

Supply Voltage (Vs)					
Parameter	Min	Typical	Max	Unit	Condition
Supply Voltage	4.75	5.0	5.25	VDC	
	3.165	3.3	3.465	VDC	
Power Consumption			3.5 1.0	Watts Watts	during warm-up steady state @ +25°C
RF Output					
Signal [Standard]	HCMOS				
Load		15		pF	
Signal Level (Vol)			0.5	VDC	with Vs=5V and 15 pF Load
Signal Level (Voh)	4.7			VDC	with Vs=5V and 15 pF Load
Signal Level (Vol)			0.3	VDC	with Vs=3.3V and 15 pF Load
Signal Level (Voh)	3.0			VDC	with Vs=3.3V and 15 pF Load
Duty Cycle	40		60	%	@ (Voh-Vol)/2
	Sinewave (5V supply, height code 0 or 3 only)				
Load		50		Ω	
Output Power @ 5V	5	8	11	dBm	50 Ω load
Harmonics			-40	dBm	
Frequency Tuning (EFC)					
Tuning Range	±1.0		±3.0	ppm	with SC cut crystal
Linearity			5	%	
Tuning Slope	Positive				
Control Voltage Range	0.0	2.0	4.0	VDC	
	0	1.5	3.0	VDC	
Additional Parameters					
Phase Noise ³			-95 -125 -145 -155 -160	dBc/Hz dBc/Hz dBc/Hz dBc/Hz dBc/Hz	10 Hz 100 Hz 1 kHz 10 kHz 100 kHz @ 100MHz
G-Sensitivity			0.5	ppb/g	worst direction
Weight			8	g	
Absolute Maximum Ratings					
Supply Voltage (Vs)			6.0	V	
Output Load			50	pF	
Operable Temperature Range	-55		+85	°C	
Storage Temperature Range	-55		+125	°C	

Outline Drawing / Enclosure



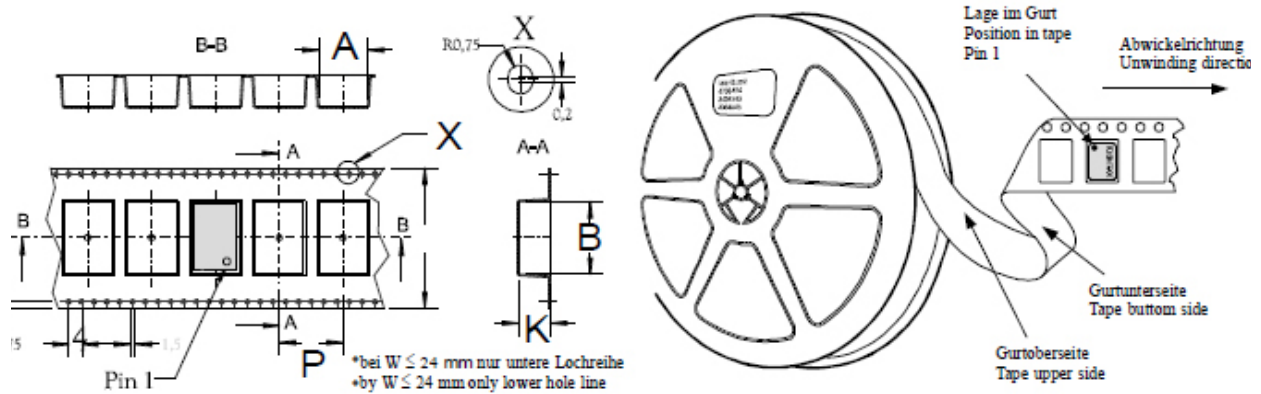
Dimensions in inches (mm)

Type A		
Code	Height "H"	Pin Length "L" Min
0	9.3	5.85
1	8.3	5.85
Pin Connections		
1	Electronic Frequency Control Input (EFC)	
7	Ground (Case)	
8	RF Output	
14	Supply Voltage Input (VS)	

Dimensions in mm

Type B		
Code	Height "H"	Pin Length "L" Min
2	10.4	NA
3	11.4	NA
Pin Connections		
1	Electronic Frequency Control Input (EFC)	
7	Ground (Case)	
8	RF Output	
14	Supply Voltage Input (VS)	

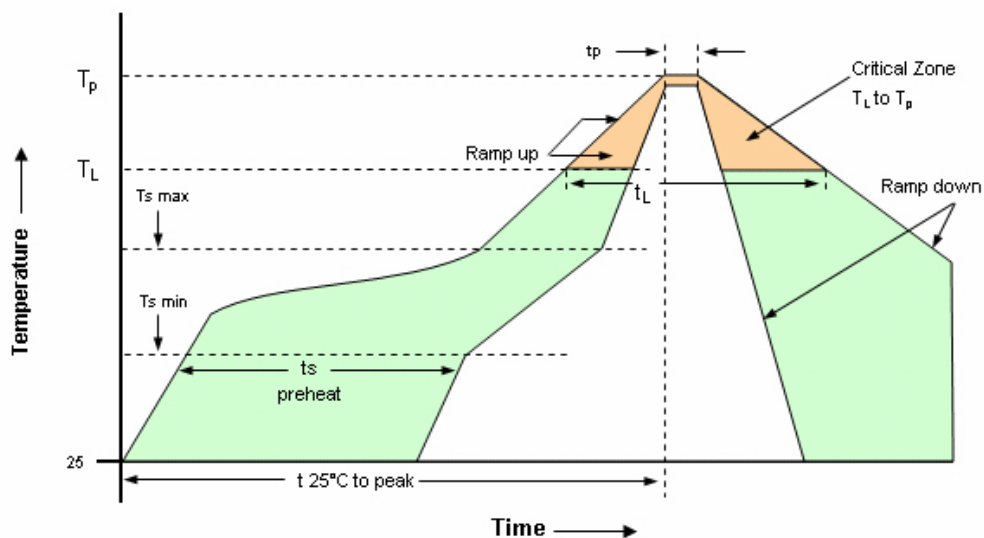
Standard Shipping Method



Enclosure Type	Tape width W [mm]	Quantity per meter	Quantity per reel	Dimension P
Type B	44	50	300	20

Recommended Reflow Profile

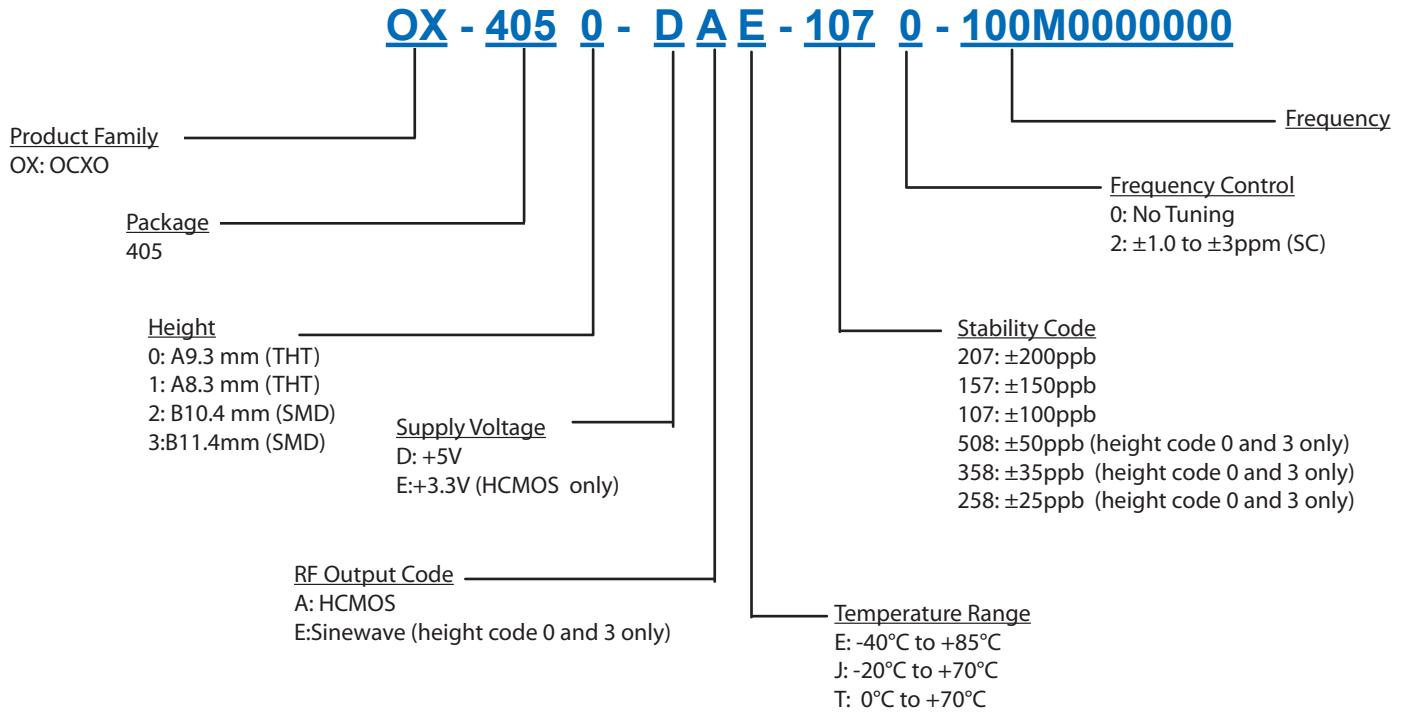
Solderprofile:



Profile Feature	Pb-Free Assembly /Sn-Pb Assembly	Profile Feature	Pb-Free Assembly /Sn-Pb Assembly
Average ramp-up rate (T_L to T_p)	3°C/second max.	Time 25°C to Peak Temperature	8 minutes max.
Preheat -Temperature Min T_{Smin} -Temperature Min T_{Smax} -Time (min to max) (t_s)	150°C 200°C 60-180 seconds	Time maintained above - Temperature (T_L) - Time (t_L)	217°C 60-150 seconds
T_{Smax} to T_L - Ramp-up Rate	3°C/second max.		
Time maintained above - Temperature (T_L) - Time (t_L)	217°C 60-150 seconds	Time within 5°C of actual Peak Temperature (t_p)	20-40 seconds
Peak Temperature (T_p)	max 260°C	Ramp-down Rate	6°C/second max.

Note: All temperatures refer to topside of the package, measured on the package body surface.

Ordering Information



Notes:

1. Contact factory for improved stabilities or additional product options. Not all options and codes are available at all frequencies.
2. Unless other stated all values are valid after warm-up time and refer to typical conditions for supply voltage, frequency control voltage, load, temperature (25°C).
3. Phase noise degrades with increasing output frequency.
4. Subject to technical modification.
5. Contact factory for availability.

For Additional Information, Please Contact

USA:

Vectron International
267 Lowell Road
Hudson, NH 03051
Tel: 1.888.328.7661
Fax: 1.888.329.8328

Europe:

Vectron International
Landstrasse, D-74924
Neckarbischofsheim, Germany
Tel: +49 (0) 7268.801.100
Fax: +49 (0) 7268.801.282

Asia:

Vectron International
1F-2F, No 8 Workshop, No 308 Fenju Road
WaiGaoQiao Free Trade Zone
Pudong, Shanghai, China 200131
Tel: 86.21.5048.0777
Fax: 86.21.5048.1881

Disclaimer

Vectron International reserves the right to make changes to the product(s) and or information contained herein without notice. No liability is assumed as a result of their use or application. No rights under any patent accompany the sale of any such product(s) or information.

Rev: 1-13-2012 dmc