

OC100 OC100G OC100HG

Optocoupler • Axial Leded • Epoxy Molded

ABSOLUTE MAXIMUM RATINGS

	OC100	OC100G	OC100HG
LED			
Forward DC Current	100mA		
Surge Current	(tp = 10 μs) 2.5A	(tp = 100 μs) 1.5A	(tp = 10 μs) 1.5A
Reverse Voltage	5 V		
Power Dissipation	(25°C) 200 mW	(25°C) 160 mW	(25°C) 180 mW
Photodiode			
Reverse Voltage	15,000 V		
Power Dissipation	1.0 W		

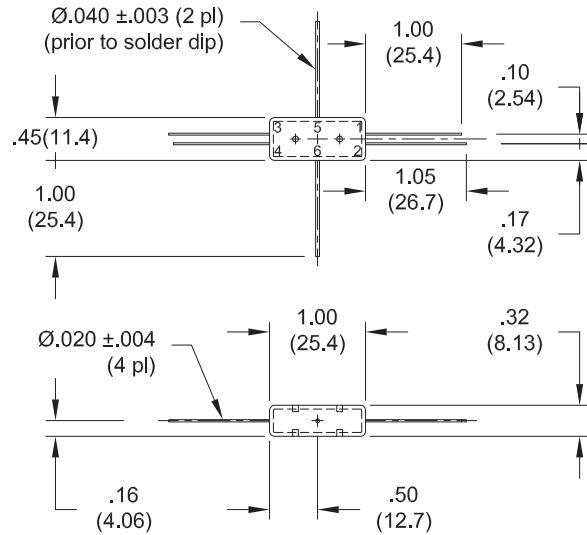
- Storage Temperature -40°C to +100°C
- Operating Temperature -40°C to +70°C
- Isolation Test Voltage 25 kV (From Pins 1, 2, 3 & 4 to Pins 5 & 6)

ELECTRICAL CHARACTERISTICS

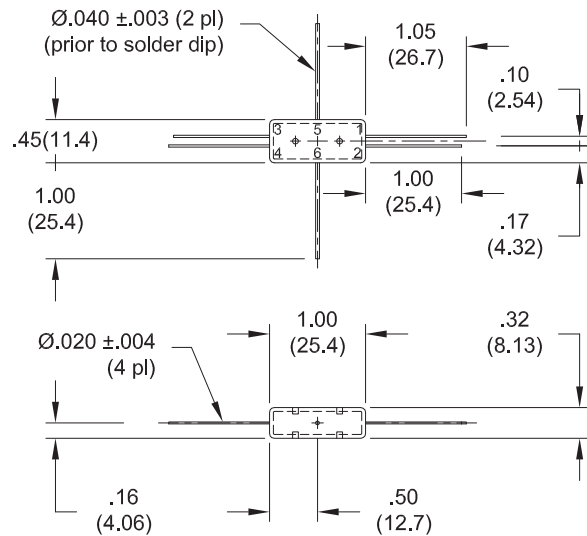
	OC100	OC100G	OC100HG
LED			
Forward Voltage	(If = 100 mA) 1.5 V		
Reverse Leakage Current VR = 5 V	10 nA	10 μA	
Photodiode			
Forward Voltage	(If = 0.6 A) 12.0 V MAX		
Reverse Leakage Current	250 nA Typical		
VR = 10 kV, ILED = 0 mA	50 μA Typical		
VR = 10 kV, ILED = 50 mA	50 μA Typical	200 μA Typical	250 μA Typical
Coupled			
DC Current Transfer Ratio			
ILED = 50 mA, VR = 10 kV,	0.064% MIN	0.32% MIN	0.38% MIN
tON = (Typical)	2 μs		
tOFF = (Typical)	2 μs		

(25°C UNLESS OTHERWISE NOTED)

OC100 OC100HG

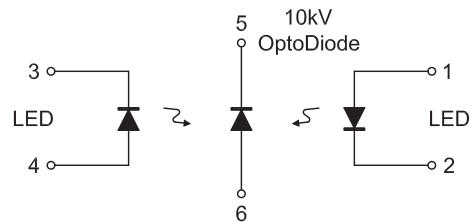


OC100G



Tolerance:
.XX ±.020

Simplified Circuit Schematic



Dimensions: In. (mm) • All temperatures are ambient unless otherwise noted. • Data subject to change without notice.



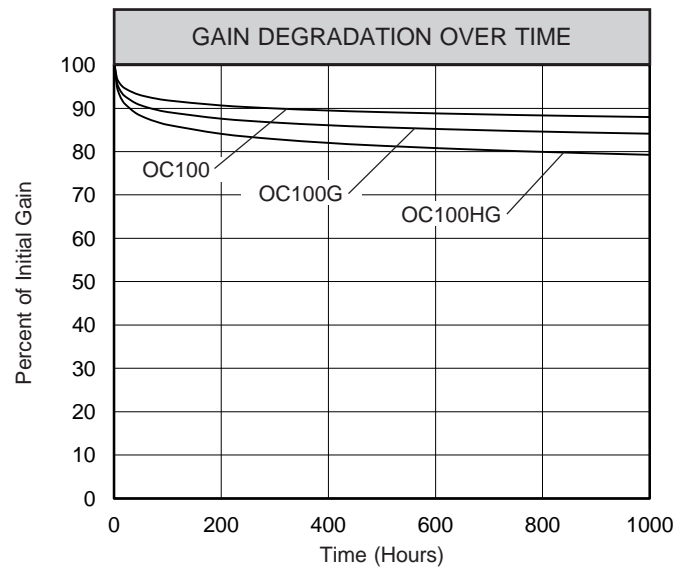
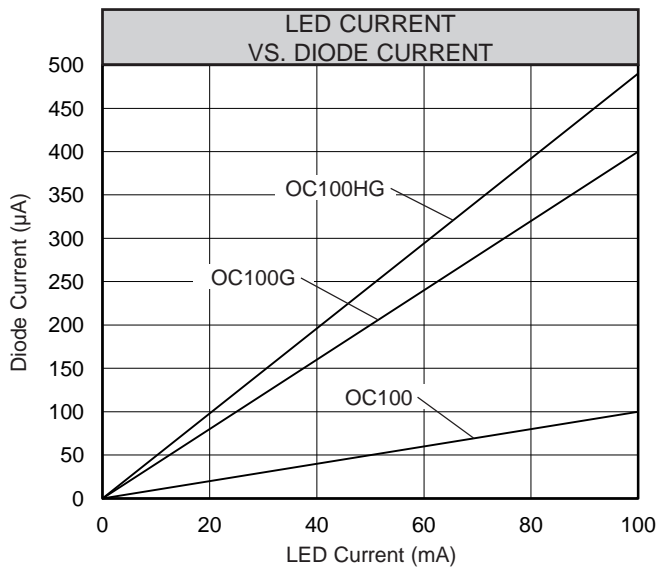
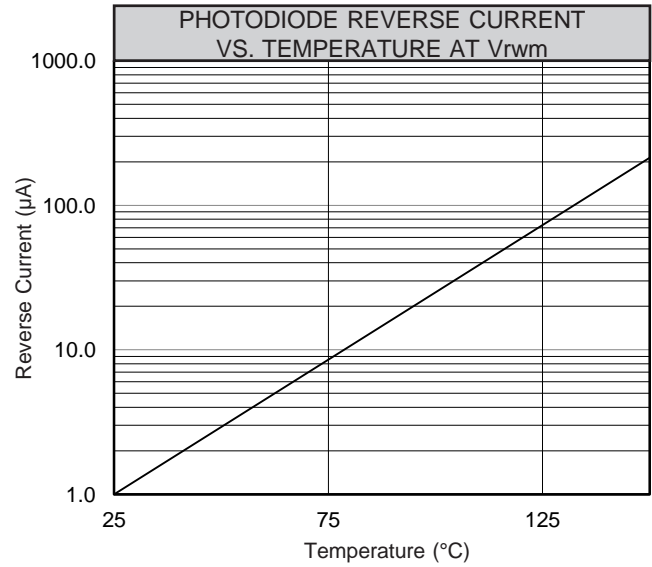
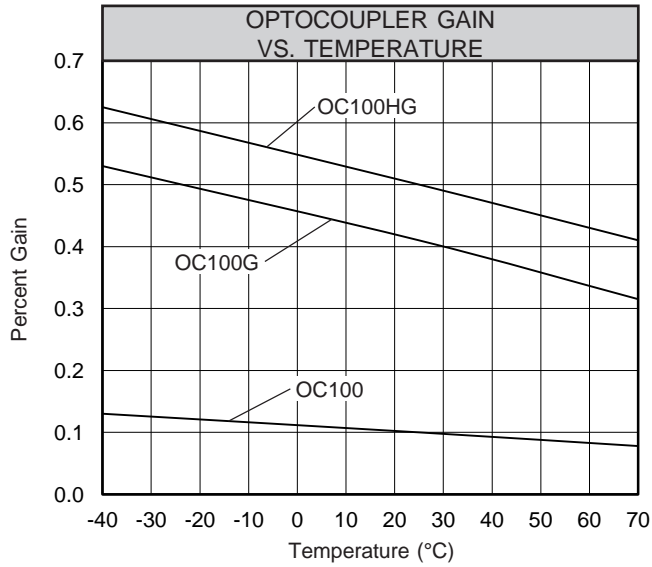
Voltage Multipliers Inc.

8711 W. Roosevelt Ave.
Visalia, CA 93291 USA

Tel: 559.651.1402
Fax: 559.651.0740

www.voltagemultipliers.com
www.highvoltagepowersupplies.com

OC100 OC100G OC100HG



7