

Specification

Brand : SAMKYUNG
Type : NTC Power Thermistor
P/N : NTC-10D-9(F)
Customer : Alltronics Tech. Mftg. Ltd.

Customer's Approval

Authorized Signature and Stamp Date

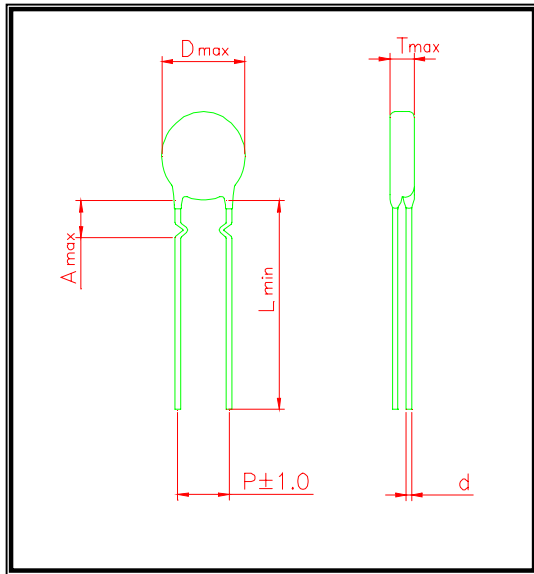
Microtech's Approval



Authorized Signature and Stamp Date

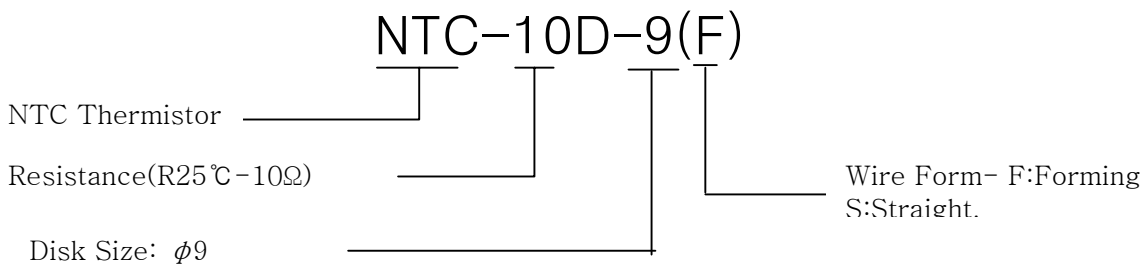
ILLUSTRATION

1) DIMENSION



| DIMENSION(mm) | |
|---------------|---------|
| D max | 10.5 |
| Tmax | 4.5 |
| P | 5.0±0.5 |
| L min | 30 |
| A max | 5 |
| d | Φ0.6 |

2) PART NUMBER



3) MATERIALS

Coating Material : Silicone Coating

Color of coating : Black

Lead wire : Sn/Cu coated copper wire

Marking : Stamped-on resistance value(U.V Ink)

4) ELECTRICAL CHARACTERISTICS

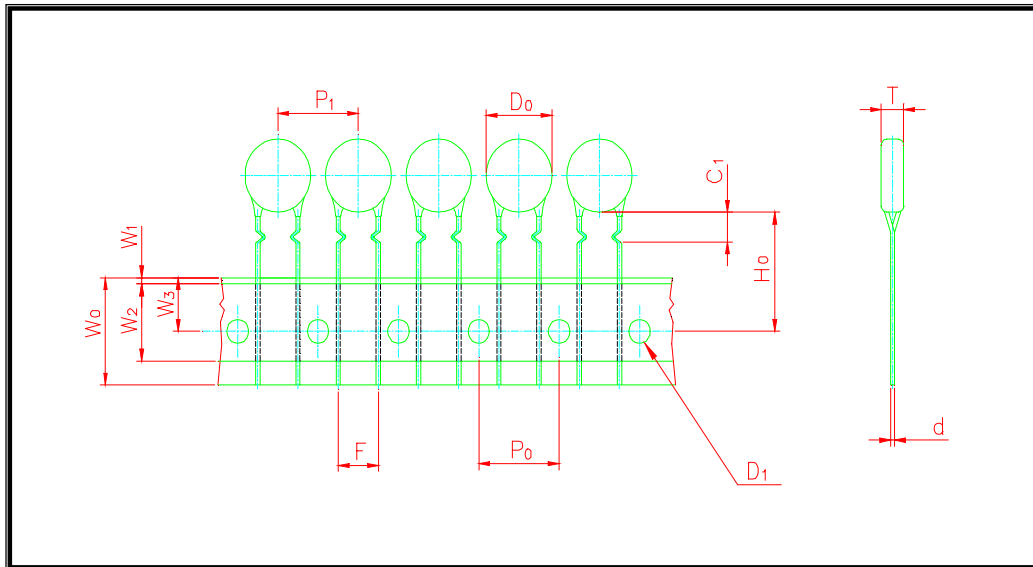
| | ITEM | CONDITIONS | SPECIFICATIONS |
|-----|-----------------------|--------------------|----------------|
| 4-1 | Resistance | Resistance at 25°C | 10Ω±20% |
| 4-2 | B Value | B(R25/R85) | 3000 K±8% |
| 4-3 | Insulation resistance | DC 500V | 100 MΩ up |
| 4-4 | Thermal time constanc | Still air | 42sec Max. |
| 4-5 | Dissipation constance | Still air | 12 mW/°C |
| 4-6 | Max. Steady Current | 25°C | 3.2A |

RELIABILITY TEST

| | | |
|-----------------------------|----------------------|-----|
| - High temperature storage | 125°C 1000hrs | ±5% |
| - Lower temperature storage | -25°C 1000hrs | ±5% |
| - High humidity storage | 40°C/95%/1000hrs | ±5% |
| - Thermal shock | -10 ~ 100°C/10cycles | ±5% |

TAPING SPECIFICATION

- SHAPE & DIMENSION



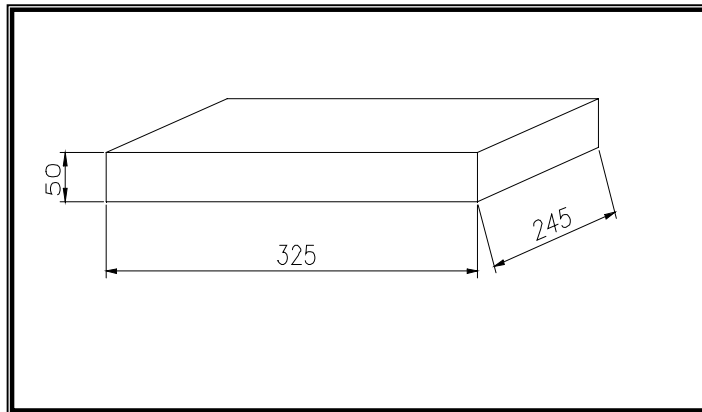
| SYMBOL | DIMENSIONS | REMARKS |
|--------|------------|---------|
| P0 | 12.7 | ±0.5 |
| P1 | 12.7 | ±0.5 |
| F | 5.0 | |
| H0 | Min 20 | |
| C1 | 5 | |
| D0 | 10.5 | |
| D1 | 4.0 | ±0.2 |
| d | 0.60 | |
| W0 | 18 | |
| W1 | 2 | |
| W2 | 13 | |
| W3 | 9 | |
| T | Max 4.5 | |

PACKING SPEC.

1. TAPING BOX

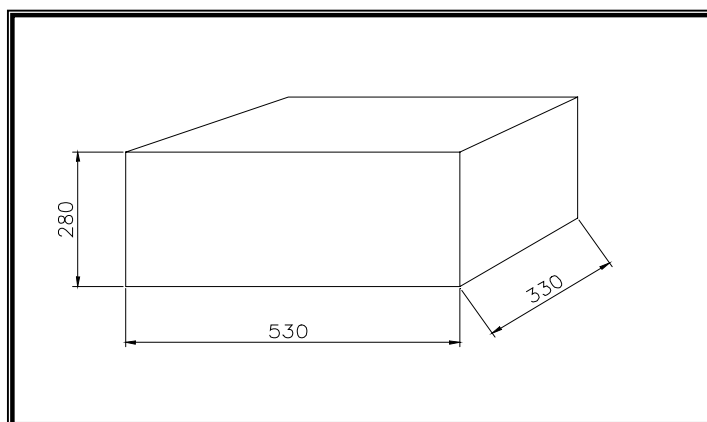
1) INNER PACKING BOX

- QUANTITY : 1,500EA/BOX
- DIMENSION : 325X245X50 (mm)



2) OUT PACKING BOX

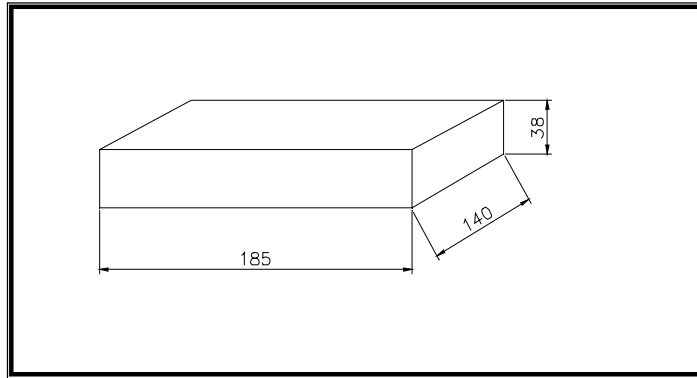
- QUANTITY : 10(INNERBOX) X 1,500EA = 15,000PCS/BOX
- DIMENSION : 530X330X280 (mm)



2. BULK BOX

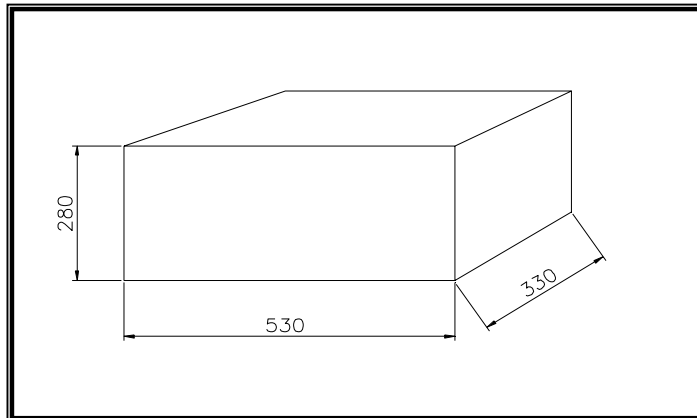
1) INNER PACKING

- Q'TY : 1,000 PCS/VINYL
- DIMENSION : 185X140X38(mm)



2) OUT PACKING

- Q'TY : 25,000 PCS/BOX
- DIMENSION : 530X330X280 (mm)



MICROTECH (HONG KONG) LTD.

Tel: +852-2799 4649 Fax: +852-2121 8310 Email: info@microtech-hk.com

R/T DATA

MODEL : NTC-10D-9(F)

DATE : JUN. 24, 2005

B(25/85) = 3000 K

UNIT : OHM

| Temp | STD | Temp | STD | Temp | STD | Temp | STD |
|------|---------|------|---------|------|--------|------|--------|
| -20 | 58.0559 | 20 | 11.8383 | 60 | 3.5364 | 100 | 1.3688 |
| -19 | 55.4541 | 21 | 11.4402 | 61 | 3.4439 | 101 | 1.3401 |
| -18 | 52.9879 | 22 | 11.0580 | 62 | 3.3544 | 102 | 1.3123 |
| -17 | 50.6493 | 23 | 10.6910 | 63 | 3.2677 | 103 | 1.2851 |
| -16 | 48.4310 | 24 | 10.3386 | 64 | 3.1837 | 104 | 1.2587 |
| -15 | 46.3259 | 25 | 10.0000 | 65 | 3.1024 | 105 | 1.2329 |
| -14 | 44.3275 | 26 | 9.6747 | 66 | 3.0236 | 106 | 1.2078 |
| -13 | 42.4297 | 27 | 9.3620 | 67 | 2.9473 | 107 | 1.1833 |
| -12 | 40.6267 | 28 | 9.0614 | 68 | 2.8733 | 108 | 1.1595 |
| -11 | 38.9133 | 29 | 8.7723 | 69 | 2.8016 | 109 | 1.1362 |
| -10 | 37.2843 | 30 | 8.4943 | 70 | 2.7321 | 110 | 1.1136 |
| -9 | 35.7351 | 31 | 8.2268 | 71 | 2.6647 | 111 | 1.0915 |
| -8 | 34.2612 | 32 | 7.9694 | 72 | 2.5993 | 112 | 1.0699 |
| -7 | 32.8585 | 33 | 7.7217 | 73 | 2.5359 | 113 | 1.0489 |
| -6 | 31.5231 | 34 | 7.4832 | 74 | 2.4744 | 114 | 1.0284 |
| -5 | 30.2514 | 35 | 7.2536 | 75 | 2.4148 | 115 | 1.0084 |
| -4 | 29.0398 | 36 | 7.0324 | 76 | 2.3569 | 116 | 0.9889 |
| -3 | 27.8852 | 37 | 6.8193 | 77 | 2.3007 | 117 | 0.9699 |
| -2 | 26.7845 | 38 | 6.6140 | 78 | 2.2461 | 118 | 0.9513 |
| -1 | 25.7349 | 39 | 6.4162 | 79 | 2.1932 | 119 | 0.9332 |
| 0 | 24.7336 | 40 | 6.2254 | 80 | 2.1418 | 120 | 0.9155 |
| 1 | 23.7782 | 41 | 6.0415 | 81 | 2.0918 | 121 | 0.8983 |
| 2 | 22.8662 | 42 | 5.8642 | 82 | 2.0433 | 122 | 0.8814 |
| 3 | 21.9955 | 43 | 5.6931 | 83 | 1.9962 | 123 | 0.8649 |
| 4 | 21.1638 | 44 | 5.5280 | 84 | 1.9505 | 124 | 0.8489 |
| 5 | 20.3692 | 45 | 5.3687 | 85 | 1.9060 | 125 | 0.8332 |
| 6 | 19.6098 | 46 | 5.2150 | 86 | 1.8628 | 126 | 0.8179 |
| 7 | 18.8839 | 47 | 5.0666 | 87 | 1.8208 | 127 | 0.8029 |
| 8 | 18.1897 | 48 | 4.9233 | 88 | 1.7800 | 128 | 0.7883 |
| 9 | 17.5257 | 49 | 4.7849 | 89 | 1.7403 | 129 | 0.7740 |
| 10 | 16.8904 | 50 | 4.6512 | 90 | 1.7017 | 130 | 0.7600 |
| 11 | 16.2823 | 51 | 4.5220 | 91 | 1.6641 | 131 | 0.7464 |
| 12 | 15.7001 | 52 | 4.3972 | 92 | 1.6276 | 132 | 0.7331 |
| 13 | 15.1426 | 53 | 4.2766 | 93 | 1.5921 | 133 | 0.7200 |
| 14 | 14.6086 | 54 | 4.1600 | 94 | 1.5575 | 134 | 0.7073 |
| 15 | 14.0970 | 55 | 4.0472 | 95 | 1.5239 | 135 | 0.6949 |
| 16 | 13.6066 | 56 | 3.9382 | 96 | 1.4912 | 136 | 0.6827 |
| 17 | 13.1365 | 57 | 3.8327 | 97 | 1.4593 | 137 | 0.6708 |
| 18 | 12.6856 | 58 | 3.7307 | 98 | 1.4283 | 138 | 0.6592 |
| 19 | 12.2532 | 59 | 3.6319 | 99 | 1.3981 | 139 | 0.6478 |
| 20 | 11.8383 | 60 | 3.5364 | 100 | 1.3688 | 140 | 0.6367 |