



### Keyboard Controller

#### Features

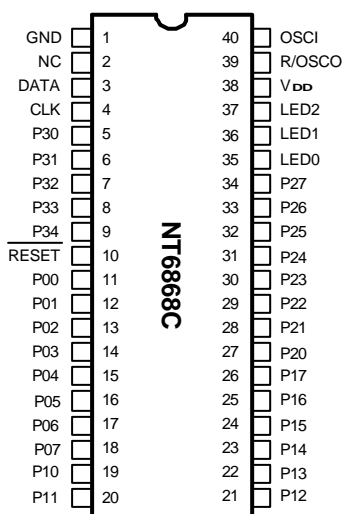
- Built-in 6502 8-bit CPU
- 2 MHz CPU operation frequency
- 4K bytes of ROM
- 128 bytes of SRAM
- One 8-bit programmable base timer with 1 - 256  $\mu$ sec interval
- 29 programmable bi-directional I/O pins
- 3 LED direct sink pins with internal serial resistors
- Mask optional for built-in RC oscillator with an external resistor or external ceramic resonator applied
- Mask optional for DATA/CLK driving capability
- Watch-dog timer
- Built-in power-on reset
- Built-in low voltage reset
- CMOS technology for low power consumption
- Available in 40 pin DIP package and 40 pad CHIP FORM

#### General Description

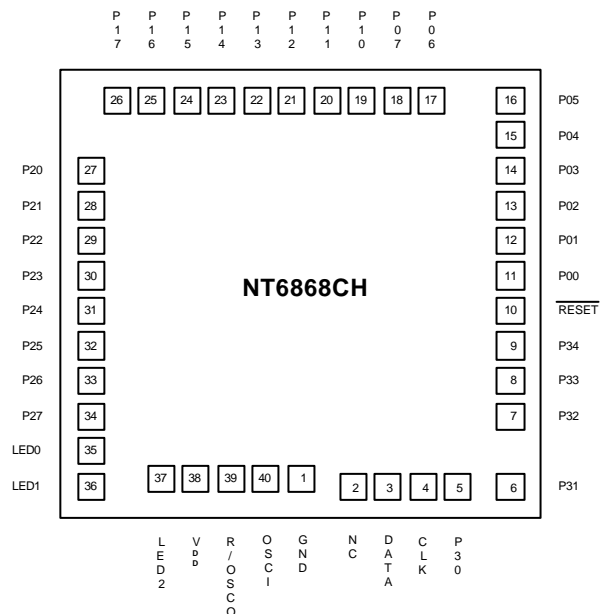
NT6868C is a single chip micro-controller for keyboard applications. It incorporates a 6502 8-bit CPU core, 4K bytes of ROM and 128 bytes of RAM used as working RAM and stack area. It also includes 29 programmable bi-directional I/O pins and one 8-bit pre-loadable base timer.

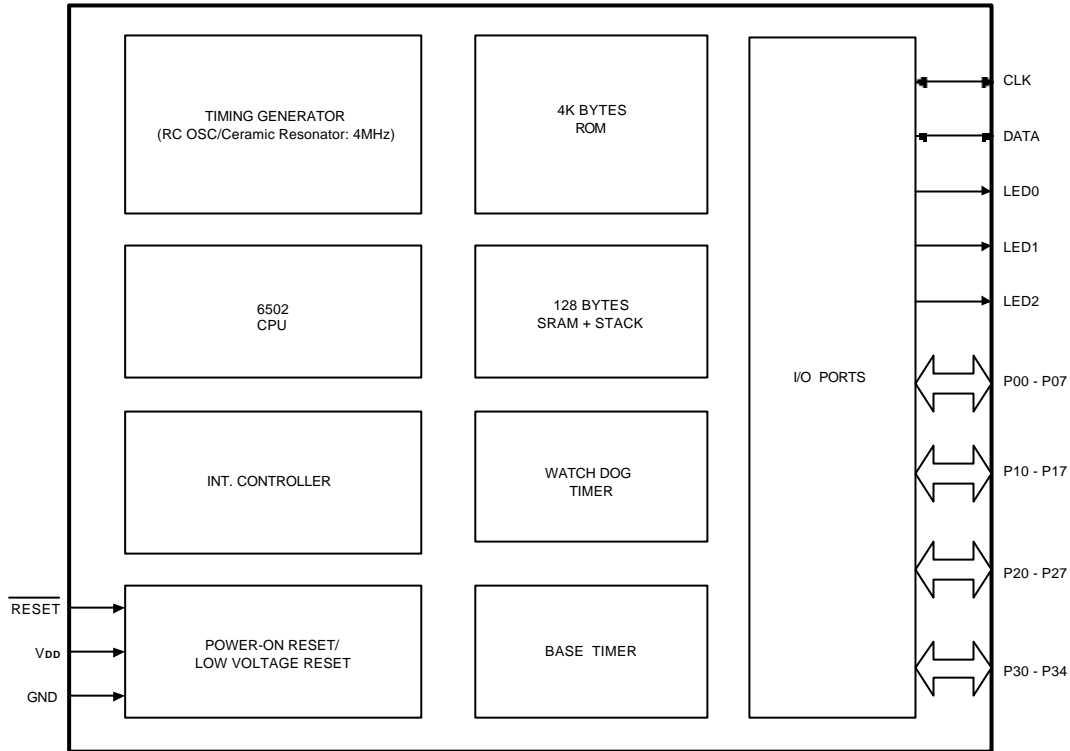
Additionally, it includes a built-in low voltage reset, a 4MHz RC oscillator that only requires an externally applied or a 4MHz ceramic resonator, and a watch-dog timer that has a resistor preventing system standstill.

#### Pin Configuration



#### Pad Configuration



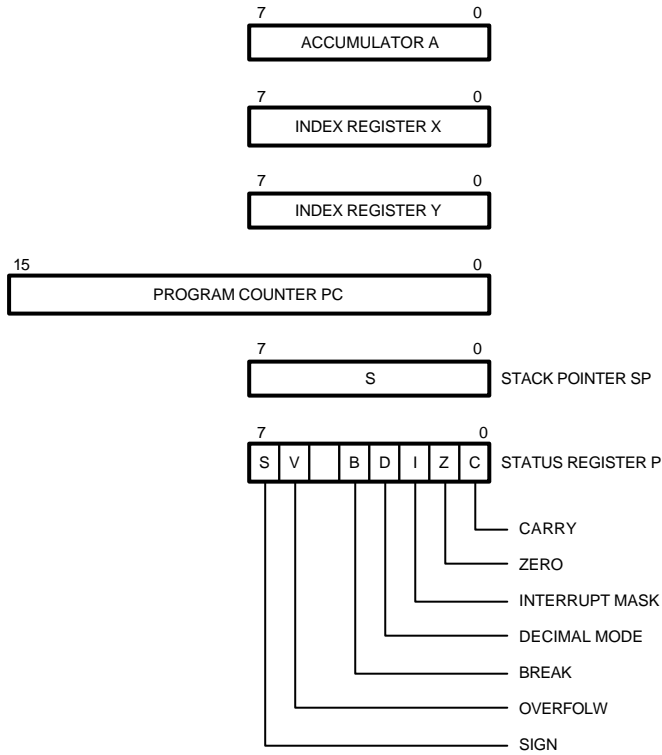
**Block Diagram**

**Pin and Pad Descriptions**

Pin No.	Pad No.	Designation	I/O	Description
1	1	GND	P	Ground pin
2	2	NC	-	No connection, recommended to connect $V_{DD}$ or floating
3	3	DATA	I/O	I/O, 10K $\Omega$ pull-up resistor for communication
4	4	CLK	I/O	I/O, 10K $\Omega$ pull-up resistor for communication
5 - 9, 11 - 34	5 - 9, 11 - 34	P30 - P34, P00 - P27	I/O	Bi-directional I/O pins
10	10	$\overline{\text{RESET}}$	I	$\overline{\text{RESET}}$ signal input pin with internal pull-up resistor; Active low
35 - 37	35 - 37	LED0 - LED2	O	LED direct sink pins
38	38	$V_{DD}$	P	Power supply
39	39	R/OSCO	I	47K $\Omega$ resistor connected for RC OSC or 4MHz ceramic resonator connection
40	40	OSCI	-	No connection for RC OSC connection; for 4MHz ceramic resonator

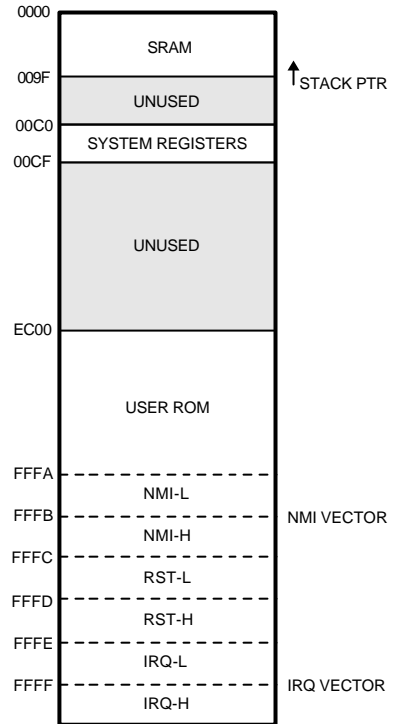
\* Under the constraint of the maximum frequency variation,  $(\Delta F/F)_{\max} \leq \pm 1\%$ , code 3, 7 (ceramic resonator option) must be selected while pins 39 and 40 are connected to a ceramic resonator. If  $(\Delta F/F)_{\max} \leq \pm 10\%$ , code 1, 5 (RC OSC option), then it is recommended to be selected. Also, connect pin 39 a 47K $\Omega$  resistor with,  $\leq \pm 1\%$  accuracy to  $V_{DD}$  while pin 40 is floating.

**Functional Description**
**6502 CPU**

6502 is an 8-bit CPU. Please refer to 6502 data sheet for more details.



**Figure 1. 6502 CPU Registers and Status Flags**



**Figure 2. NT6868C Memory Map**

**System Reserved Registers**

Address	Register	Bit7	Bit6	Bit5	Bit4	Bit3	Bit2	Bit1	Bit0	R/W
\$00C0	BT	BT7	BT6	BT5	BT4	BT3	BT2	BT1	BT0	W
\$00C1	TCON	-	-	-	-	-	-	-	$\overline{\text{ENBT}}$	W
\$00C2	CLRIRQX	-	-	-	-	-	-	-	CLRIRQTMR	W
\$00C3	PORT0	PD07	PD06	PD05	PD04	PD03	PD02	PD01	PD00	RW
\$00C4	PORT1	PD17	PD16	PD15	PD14	PD13	PD12	PD11	PD10	RW
\$00C5	PORT2	PD27	PD26	PD25	PD24	PD23	PD22	PD21	PD20	RW
\$00C6	PORT3	-	-	-	PD34	PD33	PD32	PD31	PD30	RW
\$00C7	CLK	-	-	-	-	-	-	-	CLK	RW
\$00C8	DATA	-	-	-	-	-	-	-	DATA	RW
\$00C9	LED	-	-	-	-	-	LED2	LED1	LED0	W
\$00CA	CLRWDT	0	1	0	1	0	1	0	1	W
\$00CB	X	X	X	X	X	X	X	X	X	X
\$00CC	X	X	X	X	X	X	X	X	X	X
\$00CD	X	X	X	X	X	X	X	X	X	X
\$00CE	X	X	X	X	X	X	X	X	X	X
\$00CF	X	X	X	X	X	X	X	X	X	X

- : no effect

X : access not allowed

**4K X 8 ROM**

The built-in ROM program code, executed by the 6502 CPU, has a capacity of 4K X 8 bits and is addressed from **F000H** to **FFFFH**.

**128 X 8 SRAM**

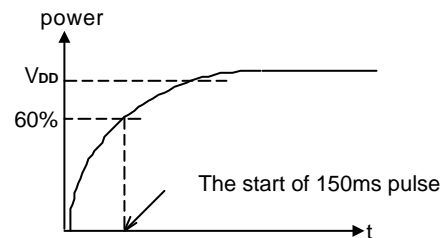
The built-in SRAM is used for general purpose data memory and for the stack area. SRAM is addressed from 0000H to **007FH**. The user can allocate stack area in the SRAM by setting the stack pointer register (S). Since 6502C's default stack pointer is 01FFH, it must be mapped to **007FH**. Mapping from 01XX to 00XX is done internally by setting the S register to **7FH** via software programming.

For example :

```
LDX  #$7F
TXS
```

**Power-On Reset**

The built-in power-on reset circuit can generate a 150ms pulse to reset the entire chip. The beginning of the 150ms pulse occurs at 60% of  $V_{DD}$  when powered on.



### Timing Generation

This block generates the system timing and control signal supplied to the CPU and on-chip peripherals. There are two types of system clock sources: a built-in RC oscillator or an external ceramic resonator. Both of them are mask optional and generate a 4MHz system clock. They also generate 2MHz for the CPU, and 1 MHz for the base timer. The following shows the relationship of code type number with oscillation type.

Oscillator	Code Number
RC OSC	1, 5
External Resistor	3, 7

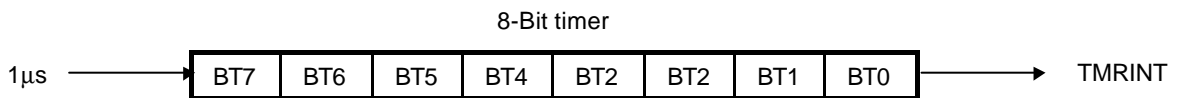
The following table provides the relationship between the external resistor and the RC OSC frequency. (This is for reference only)

External Resistor (KW)	RC OSC Frequency (MHz)
39	4.7
43	4.44
47	4
56	3.68

### Base Timer

The base timer is an 8-bit counter with a 1MHz clock source. The base timer can be enabled/disabled by the CPU. After a reset, the base timer is disabled and cleared. The base timer can be preset by writing BT7 - BT0 to the BT register at any time. When enabled, the base timer starts counting from the preset value. When the value reaches FFH, it generates a timer interrupt only if the timer interrupt is enabled. When it reaches the maximum value of FFH, the base timer will wrap around and begin counting at 00H. The timer interval can be programmed from 1 - 256  $\mu$ sec. The base timer can be enabled by writing a '0' to ' $\overline{\text{ENBT}}$ ' in the TCON (Timer Control) register. The  $\overline{\text{ENBT}}$  is a level trigger.

Base timer structure:



BT Pre-loaded Data:

Addr.	Bit	7	6	5	4	3	2	1	0	R/W
\$00C0	BT	BT7	BT6	BT5	BT4	BT3	BT2	BT1	BT0	(W)

Timer Control Register:

\$00C1	TCON	-	-	-	-	-	-	-	$\overline{\text{ENBT}}$	(W)
--------	------	---	---	---	---	---	---	---	--------------------------	-----

### INT. Controller

When a BASE TIMER overflow occurs, it will set the IRQTMR flag. The IRQTMR flag cannot be directly accessed by the software. Once set by an interrupt source, it remains HIGH unless cleared by writing '1' to the corresponding bit in CLRIRQX (\$00C2H). This register is cleared to '0' on initialization by a system reset.

When an interrupt occurs, the CPU will jump to \$FFFEH & \$FFFFH to execute the interrupt service routine. When a BASE TIMER interrupt occurs and enters the interrupt service routine, the IRQTMR flag must be cleared by the software.

Interrupt Control Register:

Addr.	Bit	7	6	5	4	3	2	1	0	R/W
\$00C2	CLRIRQX	-	-	-	-	-	-	-	CLRIRQTMR	(W)

**I/O Ports**

The NT6868C has 31 pins dedicated to input and output. These pins are grouped into 6 ports as follows:

**PORT 0 (P00 - P07):**

Port 0 is an 8-bit bi-directional CMOS I/O port that is internally pulled HIGH by PMOS. Each pin of port 0 can be bit programmed as an input or output pin under the software control. When programmed as output, data is latched to the port data register and output to the pin. Port 0 pins with "1" written to them are pulled HIGH by the internal PMOS pull-ups, and are used as input in that state. These input signals can then be read. The port output will be HIGH after reset.

**PORT 1 ( P10 - P17 ) :** These functions are the same as PORT 0.

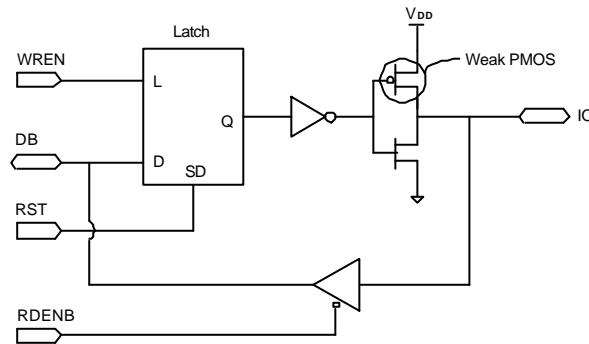
**PORT 2 ( P20 - P27 ) :** These functions s are the same as PORT 0.

**PORT 3 ( P30 - P34 ) :** These functions are the same as PORT 0.

**CLK & DATA :** These two pins have the same structure as I/O ports.

**PORT Registers:**

Addr.	Bit	7	6	5	4	3	2	1	0	R/W
\$00C3	PORT0	PD07	PD06	PD05	PD04	PD03	PD02	PD01	PD00	(RW)
\$00C4	PORT1	PD17	PD16	PD15	PD14	PD13	PD12	PD11	PD10	(RW)
\$00C5	PORT2	PD27	PD26	PD25	PD24	PD23	PD22	PD21	PD20	(RW)
\$00C6	PORT3	-	-	-	PD34	PD33	PD32	PD31	PD30	(RW)
\$00C7	CLK	-	-	-	-	-	-	-	CLK	(RW)
\$00C8	DATA	-	-	-	-	-	-	-	DATA	(RW)

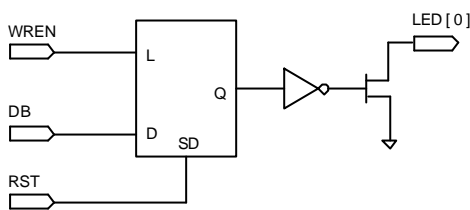


**IO Port Structure**

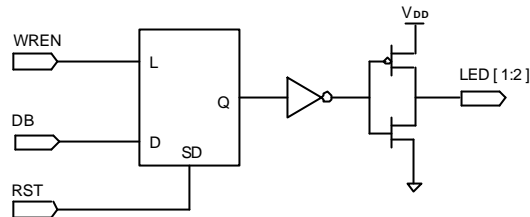
### LED Port

There are 3 LED direct sink pins which require no external serial resistors. The address is mapped to address \$00C9.

Addr.	Bit	7	6	5	4	3	2	1	0	R/W
\$00C9	LED	-	-	-	-	-	LED2	LED1	LED0	(W)



**LED0 Port Structure**



**LED1, LED2 Port Structures**

### Watch-Dog Timer

NT6868C implements a watch-dog timer, which protects programs against system standstill. The clock of the watch-dog timer is derived from the on-chip RC oscillator. The watch-dog timer interval is about 0.175 of a second. The timer must be cleared within every 0.175 second during normal operation; otherwise, it will overflow and cause a system reset. The watch-dog timer is cleared and enabled after a system reset. It cannot be disabled by the software. The user can clear the watch-dog timer by writing #55H to CLRWDT (\$00CAH) register.

For example:

```
LDA      #$55
STA      $00CA
```

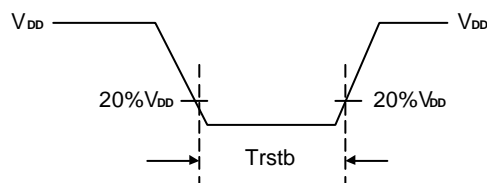
Addr.	Bit	7	6	5	4	3	2	1	0	R/W
\$00CA	CLRWDT	0	1	0	1	0	1	0	1	(W)

### Low Voltage Reset (LVR) Circuit

The NT6868C will check on the voltage level of the power supply. When the voltage level of power supply is below a threshold of 3.0V (Typical), the LVRC will issue a reset output to the chip until the power voltage level is above a threshold voltage of 3.0V (Typical) again. As soon as the power voltage reaches 3.0V (Typical), the entire chip will be reset for about 150ms.

### RESET

NT6868C can also be externally reset through the  $\overline{\text{RESET}}$  pin. A reset is initiated when the signal at the  $\overline{\text{RESET}}$  pin is held LOW for at least 10 system clocks. As soon as the  $\overline{\text{RESET}}$  signal goes high, the NT6868C begins to reset for about 150ms. The following shows the definition of the  $\overline{\text{RESET}}$  input at LOW pulse width.



**Absolute Maximum Ratings\***

DC Supply Voltage . . . . . -0.3V to +7.0V  
 Input/Output Voltage . . . . . GND -0.2V to  $V_{DD} + 0.2V$   
 Operating Ambient Temperature . . . . . 0°C to +70°C  
 Storage Temperature . . . . . -55°C to +125°C  
 Operating Voltage ( $V_{DD}$ ) . . . . . +4.5V to 5.5V

**\*Comments**

Stresses above those listed under "Absolute Maximum Ratings" may cause permanent damage to this device. These are stress ratings only. Functional operation of this device at these or any other conditions above those indicated in the operational sections of this specification is not implied or intended. Exposure to the absolute maximum rating conditions for extended periods may affect device reliability.

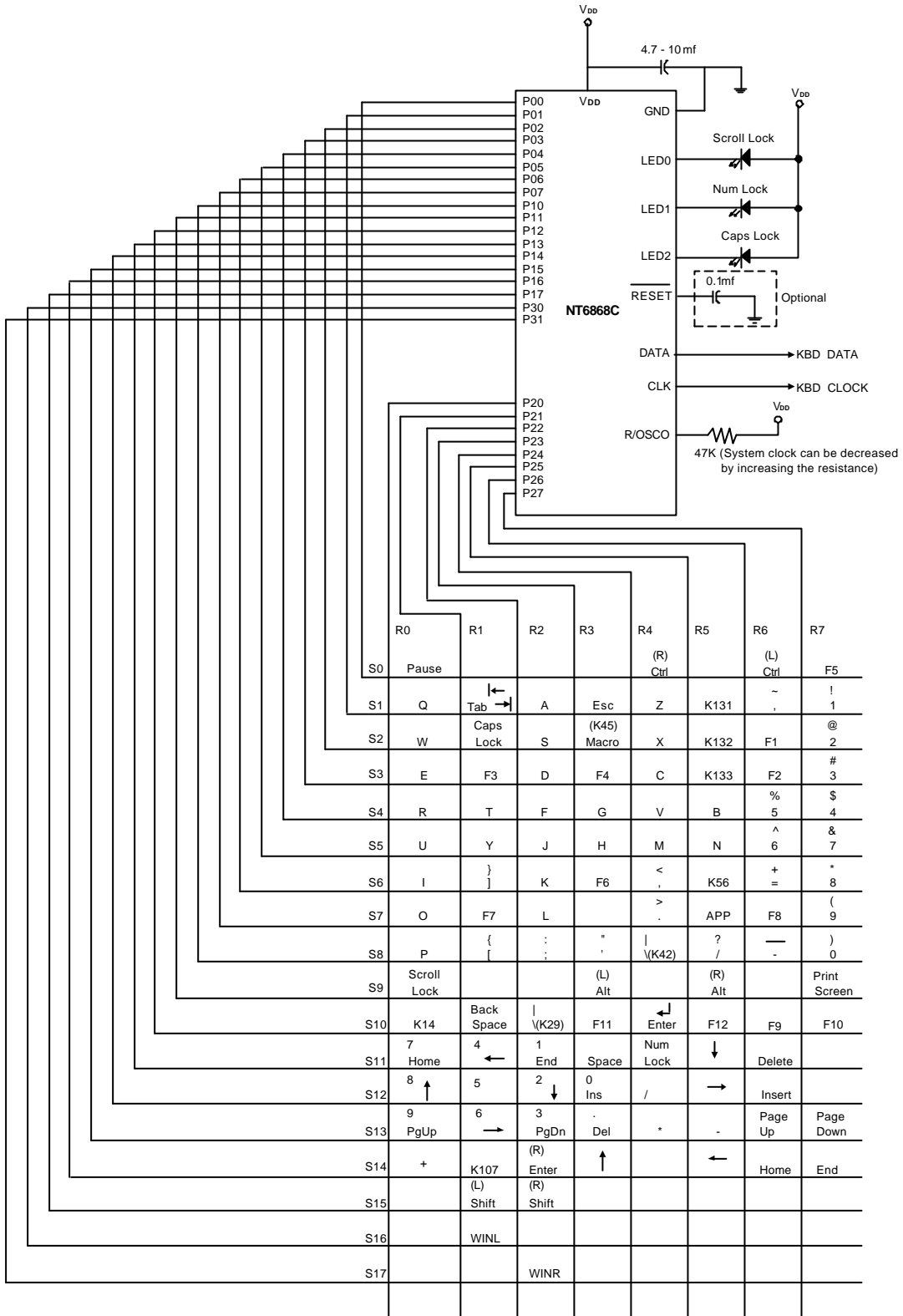
**DC Electrical Characteristics** ( $V_{DD} = 5V$ , GND = 0V,  $T_A = 25^\circ C$ ,  $F_{osc} = 4MHz$ , unless otherwise specified)

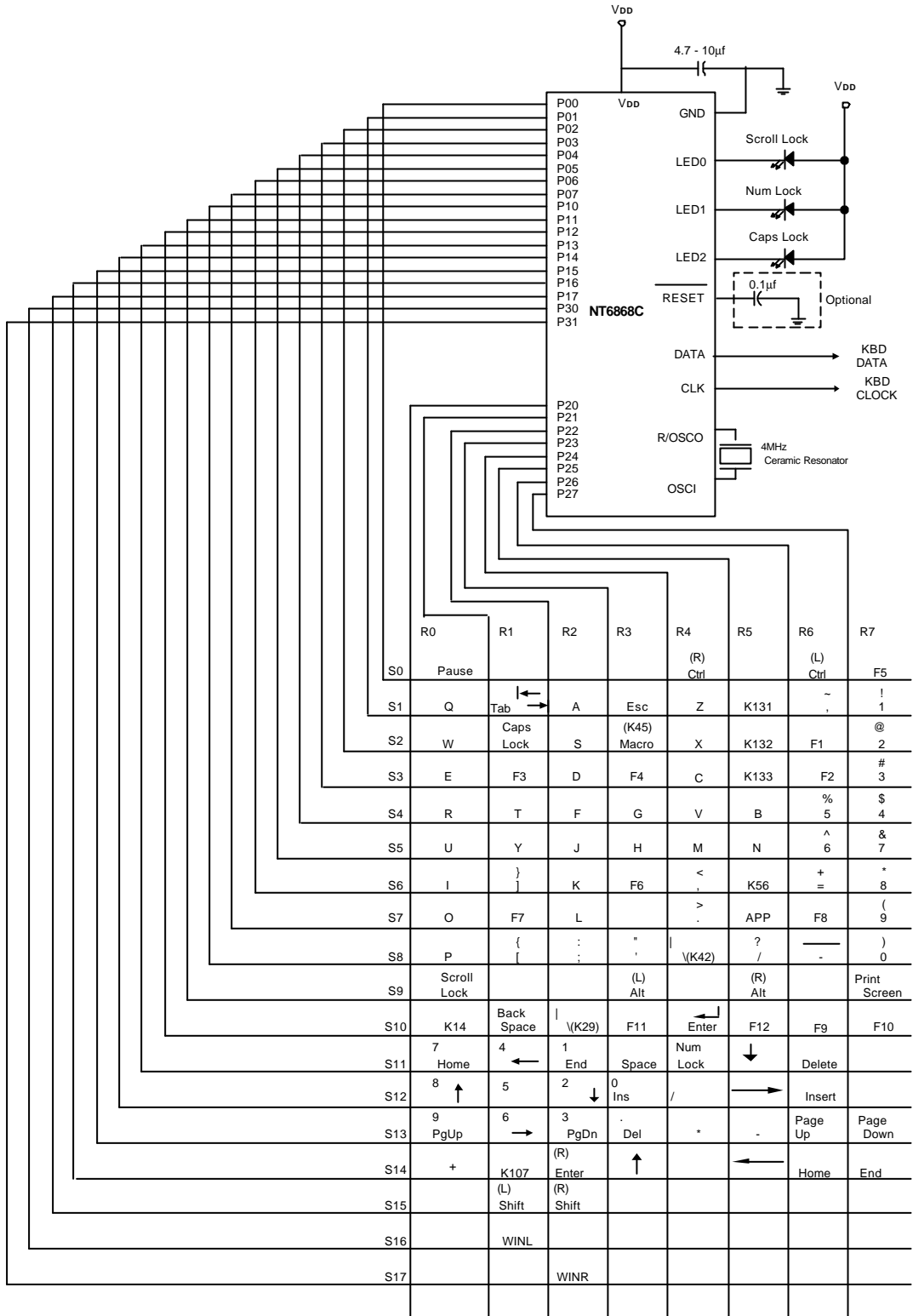
Symbol	Parameter	Min.	Typ.	Max.	Unit	Conditions
$I_{CC}$	Power Supply Current			20	mA	No load
$V_{IH}$	Input High Voltage	2			V	
$V_{IL}$	Input Low Voltage			0.8	V	
$V_{OH1}$	Output High Voltage (Port 0, 1, 2, 3)	2.4			V	$I_{OH} = -100\mu A$
$V_{OH2}$	Output High Voltage (CLK, DATA)	2.4			V	$I_{OH} = -400\mu A$ , Note 1
$V_{OH3}$	Output High Voltage (CLK, DATA)	2.4			V	$I_{OH} = -800\mu A$ , Note 2
$V_{OL1}$	Output Low Voltage (PORT 0, 1, 2)			0.4	V	$I_{OL} = 4mA$
$V_{OL2}$	Output Low Voltage (PORT 3)			0.4	V	$I_{OL} = 5mA$
$V_{OL3}$	Output Low Voltage (CLK, DATA)			0.4	V	$I_{OL} = 10mA$
$\Delta F/F$	Initial Frequency Variation 1			+/-10	%	For RC OSC option only; By Lots
$\Delta F/F$	Frequency Variation 2			+/-1	%	For ceramic resonator option only; By Lots
$I_{LED}$	LED Sink Current (LED 0, 1, 2)	10	14	17	mA	$V_{OL} = 3.2V$
$V_{LVR}$	Low Voltage Reset Threshold		3.0		V	
$T_{POR}$	Power-on Reset Time	120	150	180	ms	
$T_{RSTB}$	$\overline{RESET}$ Input Low Pulse Width	2.5			$\mu s$	10 system clocks
$R_{PH}$	$\overline{RESET}$ Pull High Resistor		220		K $\Omega$	

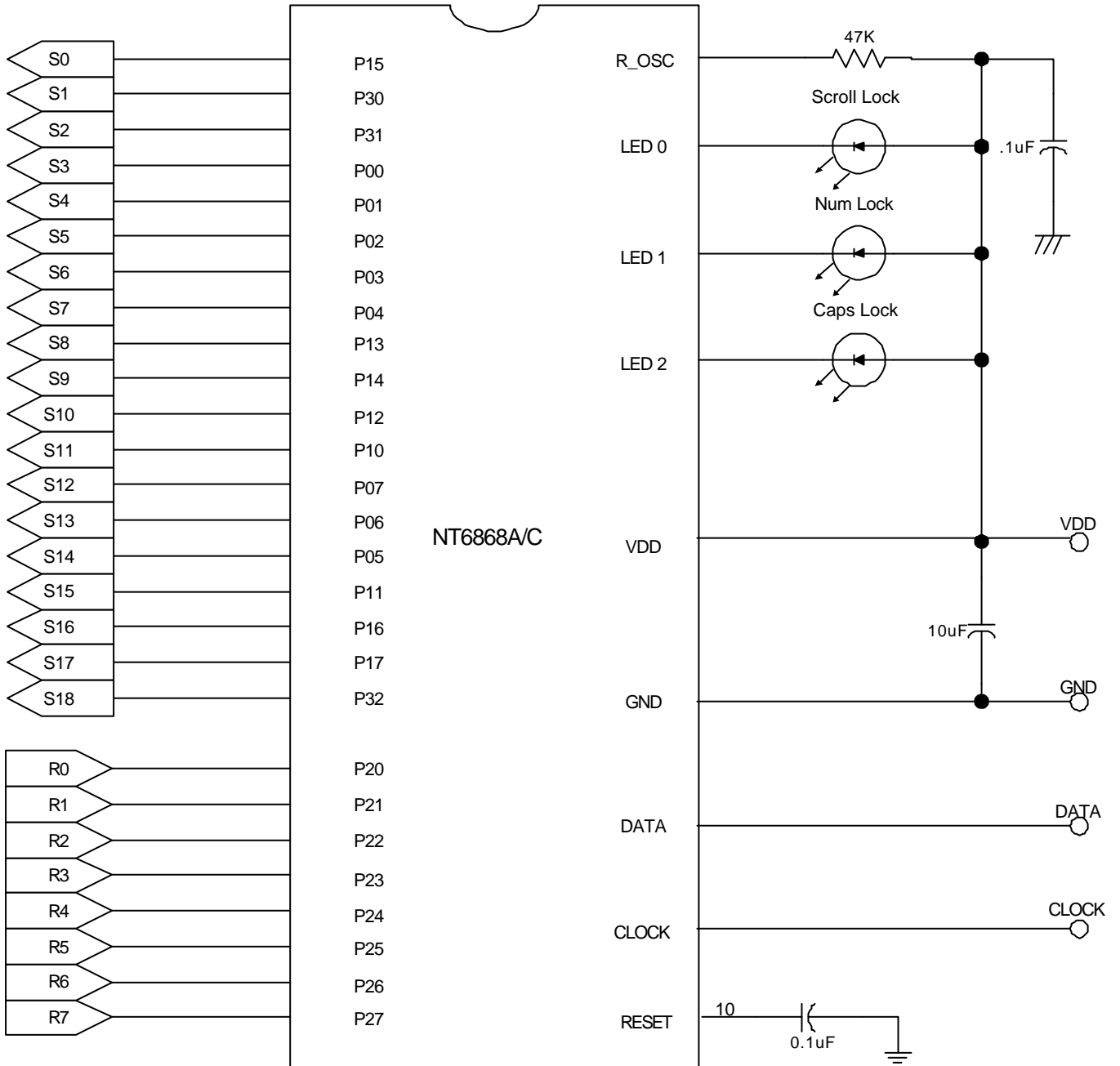
Note 1: There are 2 types of DATA/CLK driving capabilities. This condition of  $V_{OH2}$  is the same as the specification of NT6868A. Under this condition, the user can select mask option 1 or 3.

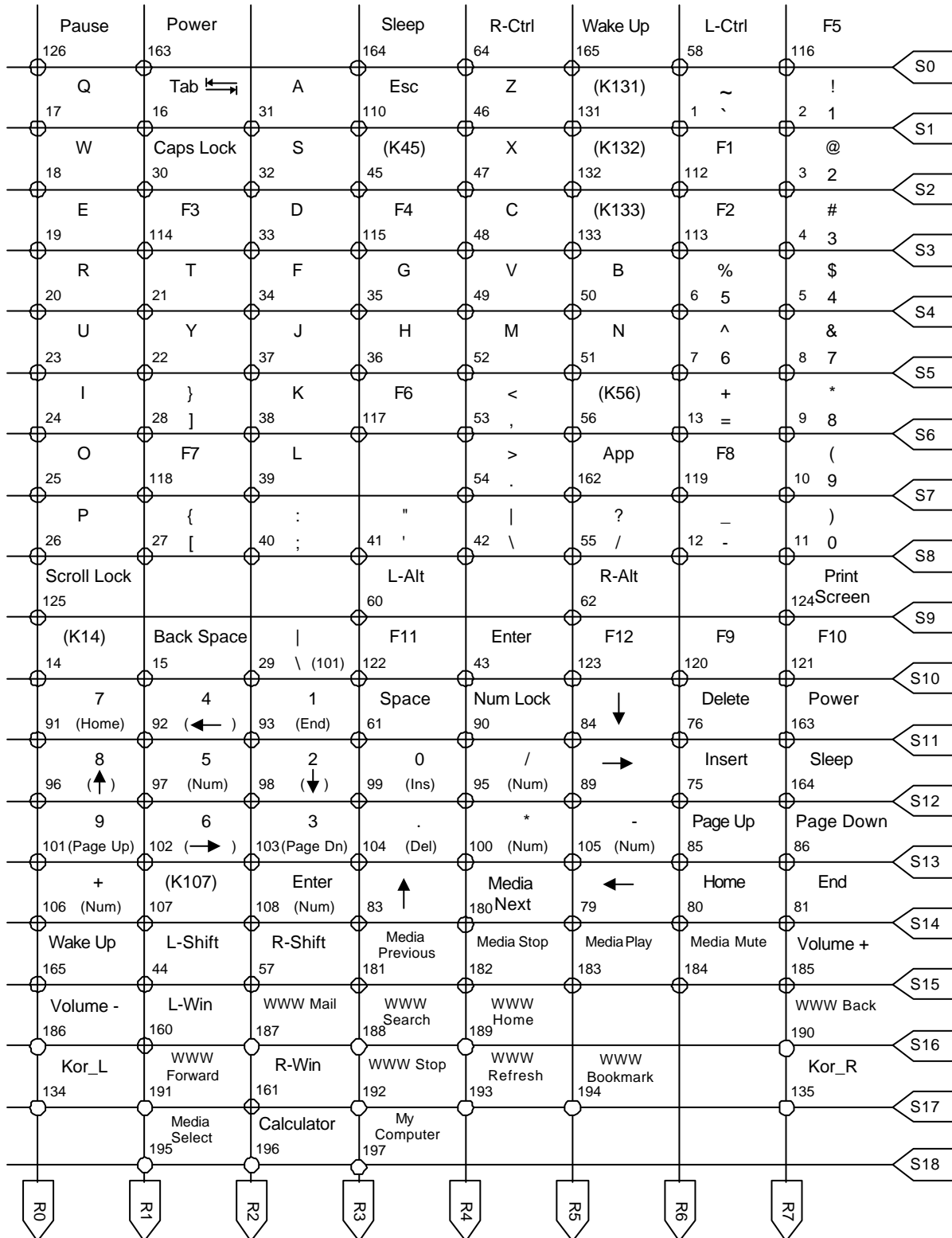
Note 2: The driving capability of DATA/CLK is higher than  $V_{OH2}$ . Under this condition, the user can select mask option 5 or 7.

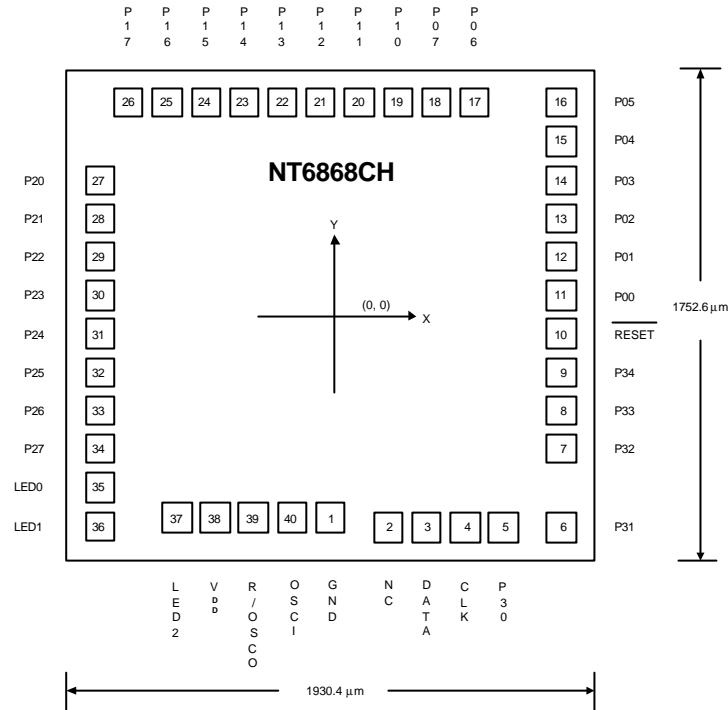


**Application Circuit I (for reference only)**


**Application Circuit II (for reference only)**


**Application Circuit For Windows 2000 Standard Code**


**Key Matrix definition for Windows 2000 Standard Code**


**Bonding Diagram**


**\*Substrate Connect to Gnd**

unit: μm

Pad No.	Designation	X	Y	Pad No.	Designation	X	Y
1	GND	-26.70	-680.90	21	P12	17.50	734.15
2	NC	103.30	-743.05	22	P13	-112.50	734.15
3	DATA	233.30	-735.35	23	P14	-242.50	734.15
4	CLK	497.55	-743.05	24	P15	-372.50	734.15
5	P30	623.30	-735.35	25	P16	-502.50	734.15
6	P31	752.55	-735.95	26	P17	-645.00	734.15
7	P32	765.20	-447.35	27	P20	-765.55	576.30
8	P33	765.20	-317.35	28	P21	-765.55	434.30
9	P34	765.20	-187.35	29	P22	-765.55	304.30
10	RESET	765.20	-57.35	30	P23	-765.55	174.15
11	P00	765.20	72.65	31	P24	-765.55	44.00
12	P01	765.20	202.65	32	P25	-765.55	-86.00
13	P02	765.20	332.65	33	P26	-765.55	-216.00
14	P03	765.20	462.65	34	P27	-765.55	-346.00
15	P04	765.20	592.65	35	LED0	-765.55	-476.00
16	P05	765.20	735.15	36	LED1	-765.55	-622.10
17	P06	537.50	734.15	37	LED2	-546.70	-632.30
18	P07	407.50	734.15	38	V <sub>DD</sub>	-416.70	-617.30
19	P10	277.50	734.15	39	R/OSCO	-286.70	-617.30
20	P11	147.50	734.15	40	OSCI	-156.70	-617.30

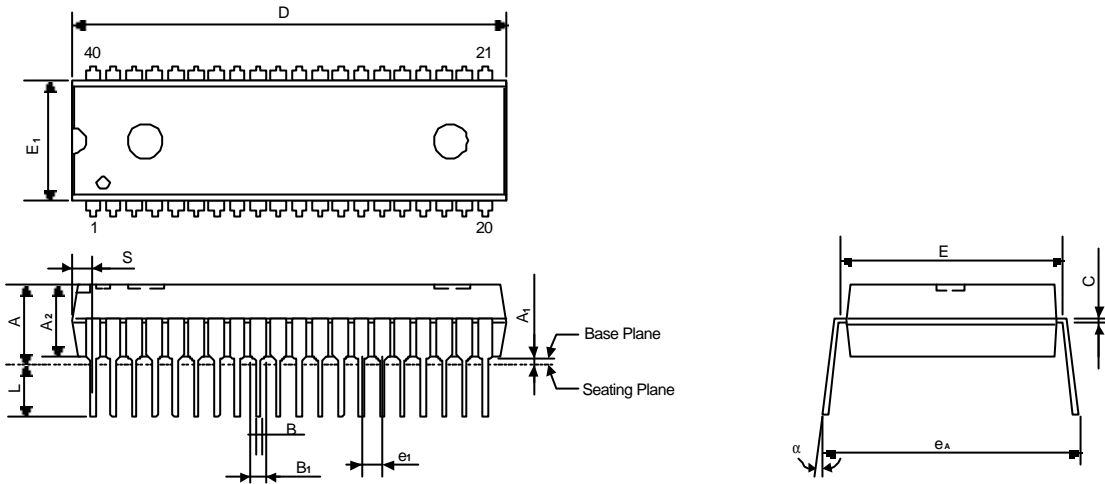
**Ordering Information**

Part No.	Package
NT6868CH	CHIP FORM
NT6868C	40L DIP

Code Type No.	Oscillation Type	Data/Clk Driving capacitance
1XXXX	Built-in RC OSC	V <sub>OH2</sub>
3XXXX	Ceramic Resonator	V <sub>OH2</sub>
<b>5XXXX</b>	<b>Built-in RC OSC</b>	V <sub>OH3</sub>
<b>7XXXX</b>	<b>Ceramic Resonator</b>	V <sub>OH3</sub>

**Package Information**
**DIP 40L Outline Dimensions**

unit: inches/mm



Symbol	Dimensions in inches	Dimensions in mm
A	0.210 Max.	5.33 Max.
A <sub>1</sub>	0.010 Min.	0.25 Min.
A <sub>2</sub>	0.155±0.010	3.94±0.25
B	0.018 +0.004 -0.002	0.46 +0.10 -0.05
B <sub>1</sub>	0.050 +0.004 -0.002	1.27 +0.10 -0.05
C	0.010 +0.004 -0.002	0.25 +0.10 -0.05
D	2.055 Typ. (2.075 Max.)	52.20 Typ. (52.71 Max.)
E	0.600±0.010	15.24±0.25
E <sub>1</sub>	0.550 Typ. (0.562 Max.)	13.97 Typ. (14.27 Max.)
e <sub>1</sub>	0.100±0.010	2.54±0.25
L	0.130±0.010	3.30±0.25
α	0° ~ 15°	0° ~ 15°
e <sub>A</sub>	0.655±0.035	16.64±0.89
S	0.093 Max.	2.36 Max.

**Notes:**

1. The maximum value of dimension D includes end flash.
2. Dimension E<sub>1</sub> does not include resin fins.
3. Dimension S includes end flash.