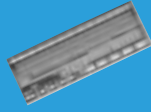


# Segment Drivers

## 1/4 Duty LCD Driver

NJU6437

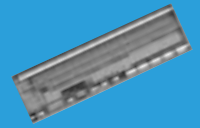
[DATA SHEET](#)



## 1/4 Duty I<sup>2</sup>C-Bus LCD Driver

NJU6438

[DATA SHEET](#)



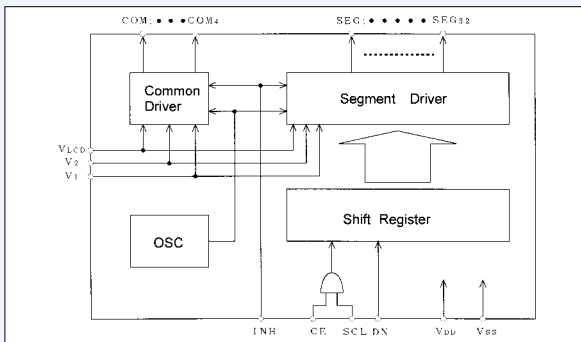
### GENERAL DESCRIPTION

The NJU6437 is a 1/4 duty LCD driver for segment type LCD panel. The LCD driver consists of 4-common and 32-segment drivers up to 128-segment totally.

### FEATURES

- 32-segment drivers
- Duty ratio : 1/4 duty (1/3 bias)
- 3-wire serial Interface
- Serial data transmission (shift clock 2MHz max.)
- Display-off function (INH terminal)
- Operating voltage : 2.4V to 5.5V
- LCD driver voltage : 6.0V max.
- Package outline : TCP/Bump-Chip (Rectangle outlook for COG)

### BLOCK DIAGRAM



### GENERAL DESCRIPTION

The NJU6438 is a 1/4 duty LCD driver for segment type LCD panel. The LCD driver consists of 4-common and 40-segment drivers up to 160-segment totally.

### FEATURES

- 40-segment drivers
  - Duty ratio : 1/4 duty (1/3 bias)
  - Serial interface : I<sup>2</sup>C interface\*
  - Display-off function (INH terminal, ON/OFF)
  - Operating voltage : 2.4V to 3.6V
  - LCD driver voltage : 6.0V max.
  - Package outline : Bump-Chip (Rectangle outlook for COG)
- \*Purchase of I<sup>2</sup>C components of New Japan Radio Co., Ltd or one of its sublicensed Associated Companies conveys a license under the Philips I<sup>2</sup>C Patent Rights to use these components in an I<sup>2</sup>C system conforms to the I<sup>2</sup>C Standard Specification as defined by Philips.

### BLOCK DIAGRAM

