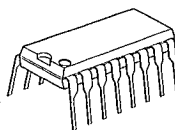


3-INPUT/2-INPUT VIDEO SWITCH

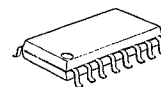
■ GENERAL DESCRIPTION

The NJM2503 is a switching IC for switching over from one audio or video input signal to another. Internalizing 3 input-1 output, and 2 input-1 output and then each set can be operated independently. It is a higher efficiency video switch, featuring the operating voltage 4.75 to 13V, the frequency feature 10MHz, and then the Crosstalk 75dB (at 4.43MHz).

■ PACKAGE OUTLINE



NJM2503D



NJM2503M

■ FEATURES

- Operating Voltage (+4.75V ~ +13V)
- 3 Input-1 Output/2 Input output
- Crosstalk 75dB(at 4.43MHz)
- Wide Bandwidth Frequency 10MHz(2V_{PP} Input)
- Package Outline DIP16, DMP16
- Bipolar Technology

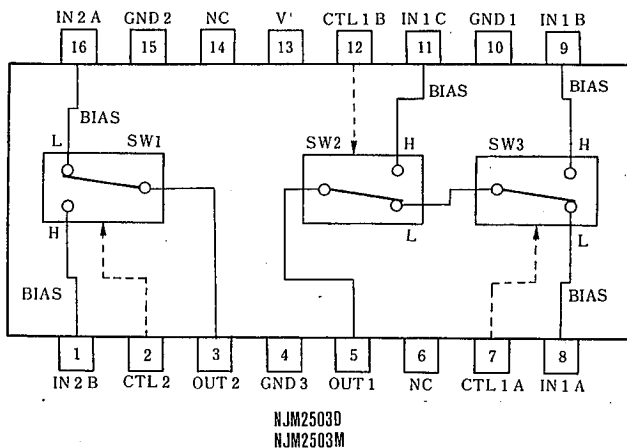
■ RECOMMENDED OPERATING CONDITION

- Operating Voltage V⁺ 4.75~13.0V

■ APPLICATIONS

- VCR, Video Camera, AV-TV, Video Disk Player.

■ BLOCK DIAGRAM



■ MAXIMUM RATINGS

(Ta=25°C)

PARAMETER	SYMBOL	RATINGS	UNIT
Supply Voltage	V ⁺	14	V
Power Dissipation	P _D	(DIP 16) 700 (DMP 16) 350	mW
Operating Temperature Range	T _{opr}	-40 ~ +85	°C
Storage Temperature Range	T _{stg}	-40 ~ +125	°C

■ ELECTRICAL CHARACTERISTICS

(V⁺=5V, Ta=25°C)

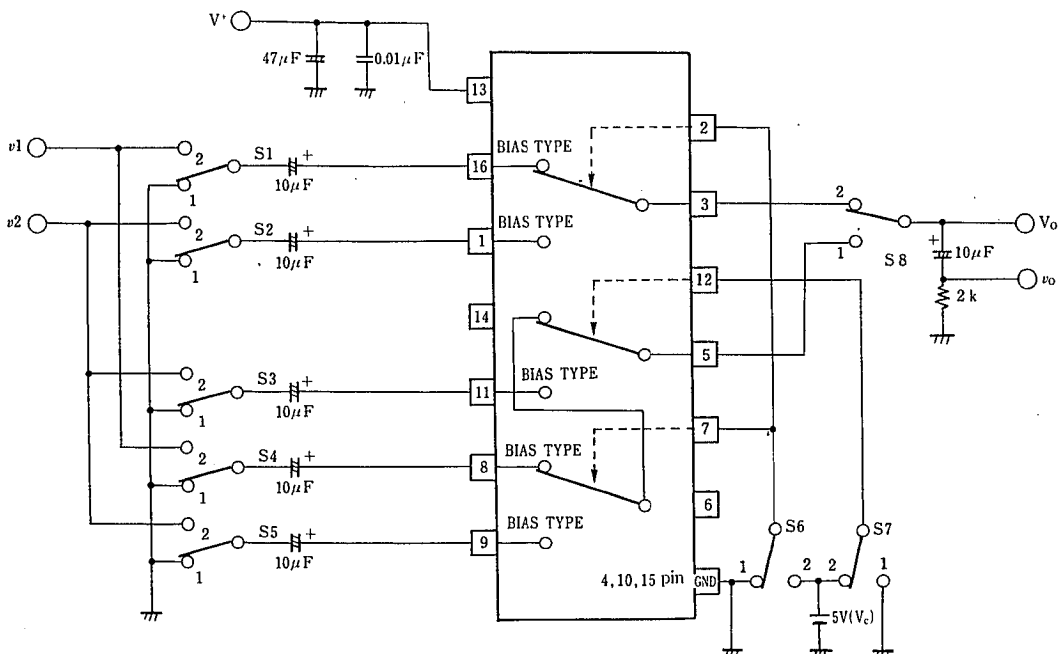
PARAMETER	SYMBOL	TEST CONDITION	MIN.	TYP.	MAX.	UNIT
Operating Current (1)	I _{cc1}	V ⁺ =5V (Note1)	6.8	9.8	12.8	mA
Operating Current (2)	I _{cc2}	V ⁺ =9V (Note1)	8.7	12.5	16.3	mA
Voltage Gain	G _v	V _i = 100kHz, 2V _{r-p} , V _O /V _I	-0.6	-0.1	+0.4	dB
Frequency Gain	G _f 1	V _i = 2V _{r-p} , V _O (10MHz)/V _O (100kHz)	-1.0	0	+1.0	dB
Differential Gain	DG	V _i = 2V _{r-p} , Standard Staircase Signal	—	0.3	—	%
Differential Phase	DP	V _i = 2V _{r-p} , Standard Staircase Signal	—	0.3	—	deg
OutPut offset Voltage (1)	V _{os1}	(Note2)	-10	0	+10	mV
OutPut offset Voltage (2)	V _{os2}	(Note3)	-25	0	+25	mV
Crosstalk	CT	V _i = 2V _{r-p} , 4.43MHz, V _O /V _I	—	-75	—	dB
Switch Change Over Voltage	V _{CH}	All inside Switches ON	2.5	—	—	V
Switch Change Over Voltage	V _{CL}	All inside Switches OFF	—	—	1.0	V

(Note1) S1=S2=S3=S4=S5=S6=S7=1

(Note2) S1=S2=S3=S4=S5=1, S8=2, S7=1, S6=1→2 Measure the output DC voltage difference

(Note3) S1=S2=S3=S4=S5=1, S8=1, S7=1, S6=1→2 (S6=1, S7=1→2) Measure the output DC voltage difference

■ TEST CIRCUIT



■ TERMINAL EXPLANATION

PIN No.	PIN NAME	VOLTAGE	INSIDE EQUIVALENT CIRCUIT
8 9 11 16 1	IN 1 A IN 1 B IN 1 C IN 2 A IN 2 B (Input)	2.5V $\left(\frac{1}{2}V^+\right)$	
7 12 2	CTL 1 A CTL 1 B CTL 2 (Switching)		
5	OUT 1 (Output)	1.8V $\left(\frac{1}{2}V^+ - 0.7\right)$	
3	OUT 2 (Output)	1.8V $\left(\frac{1}{2}V^+ - 0.7\right)$	
13	V+	5V	
15 4 10	GND 1 GND 2 GND 3		

5

MEMO

[CAUTION]

The specifications on this databook are only given for information, without any guarantee as regards either mistakes or omissions. The application circuits in this databook are described only to show representative usages of the product and not intended for the guarantee or permission of any right including the industrial rights.