

3 – INPUT VIDEO SWITCH

■ GENERAL DESCRIPTION

The **NJM2249** is 3-input video switch for video and audio signal. One input terminals has sink-chip clamp function and so it is applied to fixed DC level of video signal. Two other input terminals are transistor base input for luminant signal and so luminant level may be easily fixed by outer circuit. Its operating supply voltage range is 4.75 to 13V and bandwidth is 10MHz. Cross-talk is 70dB (at 4.43MHz).

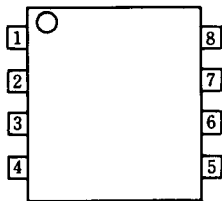
■ FEATURES

- Operating Voltage ($V^+ = +4.75V$ to $+13V$)
- 3 Input - 1 Output
- Internal Clamp Function (V_{IN1})
- Internal Luminance Signal Control Function (V_{IN2} , V_{IN3})
- Cross - talk 70dB (at 4.43MHz)
- Wide Frequency Range
- Package Outline DIP8, DMP8, SIP8, SSOP8
- Bipolar Technology

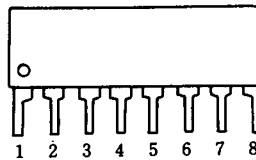
■ APPLICATION

- VCR, Video Camera, AV-TV, Video Disc Player

■ PIN CONFIGURATION



NJM2249D
NJM2249M
NJM2249V

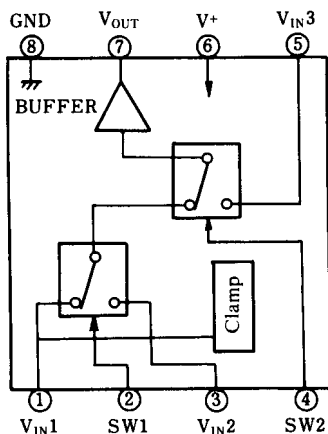


NJM2249L

PIN FUNCTION

1. V_{IN1}
2. SW 1
3. V_{IN2}
4. SW 2
5. V_{IN3}
6. V^+
7. V_{OUT}
8. GND

■ BLOCK DIAGRAM



■ INPUT CONTROL SIGNAL-OUTPUT SIGNAL

SW1	SW2	OUTPUT SIGNAL
L	L	V_{IN1}
H	L	V_{IN2}
L/H	H	V_{IN3}

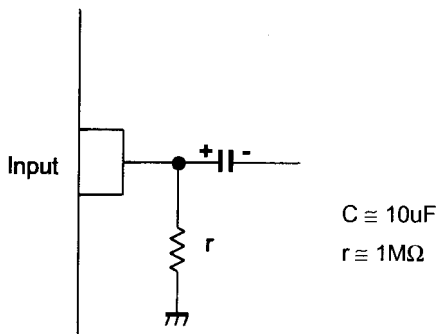
■ TERMINAL FUNCTION

PIN NO.	PIN SYMBOL	EQUIVALENT CIRCUIT	PIN NO.	PIN SYMBOL	EQUIVALENT CIRCUIT
1	V _{IN1}		5	V _{IN3}	
2	SW1		6	V ⁺	_____
3	V _{IN2}		7	V _{OUT}	
4	SW2		8	GND	_____

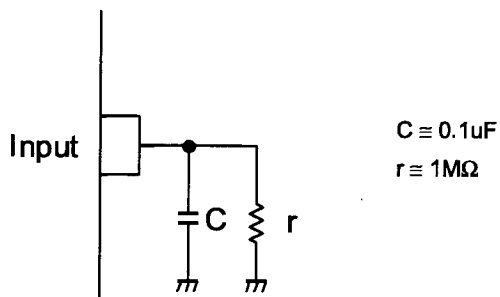
NJM2249

■ APPLICATION

This IC requires 1MΩ resistance between INPUT and GND pin for clamp type input since the minute current causes an unstable pin voltage.



This IC requires 0.1uF capacitor between INPUT and GND, 1MΩ resistance between INPUT and GND for clamp type input at mute mode.



[CAUTION]

The specifications on this databook are only given for information, without any guarantee as regards either mistakes or omissions. The application circuits in this databook are described only to show representative usages of the product and not intended for the guarantee or permission of any right including the industrial rights.