

VIDEO SUB-CARRIER SIGNAL DOUBLER/TRIPLER

■ GENERAL DESCRIPTION

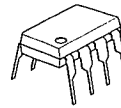
The NJM2228 is a doubler/triplex oscillator based on video sub-carrier frequency using PLL circuit technique.

The NJM2228 is suit to standard clock generator of CCD clock and onscreen display.

■ FEATURES

- Operating Voltage (+4V~+6V)
- Good input sensitivity $V_{IN}=120mV$ MIN.
- Maximum oscillation frequency 20MHz.
- Switch function of doubler / tripler
- Package Outline DIP8, DMP8, SIP8
- Bipolar Technology

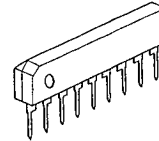
■ PACKAGE OUTLINE



NJM2228D



NJM2228M

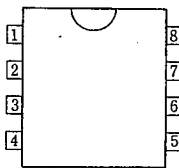


NJM2228S

■ APPLICATION

- VCR Video Camera AV-TV Video Disc Player

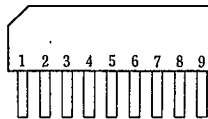
■ PIN CONFIGURATION



NJM2228D
NJM2228M

PIN FUNCTION

1. f_{sc} Input
2. Detection Filter
3. GND
4. Oscillator Output
5. Oscillator C
6. V^+
7. Oscillator R
8. 2/3 Switch

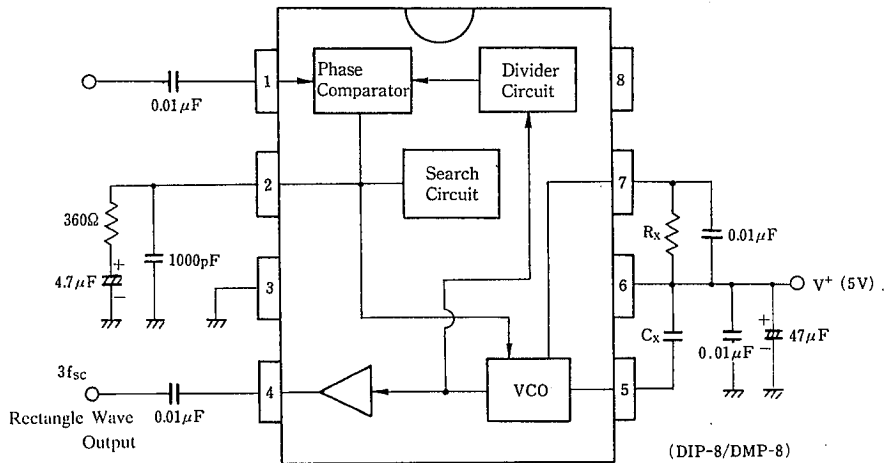


NJM2228S

PIN FUNCTION

1. f_{sc} Input
2. Detection Filter
3. GND 1
4. Oscillator Output
5. GND 2
6. Oscillator C
7. V^+
8. Oscillator R
9. 2/3 Switch

■ BLOCK DIAGRAM & EXTERNAL COMPONENTS



There is stray capacity assembled on PC board, and so select R_x , C_x to the value which pin 2 voltage (search voltage at VCO locked) becomes about 2V. $C_x > 5pF$, $5.6k > R_x > 3.3k\Omega$.

	NTSC		PAL	
	3 multiplier	2 multiplier	3 multiplier	2 multiplier
C_x	10 p	22 p	8 p	15 p
R_x	4.7 k	4.6 k	3.9 k	4.6 k

■ ABSOLUTE MAXIMUM RATINGS

(Ta=25°C)

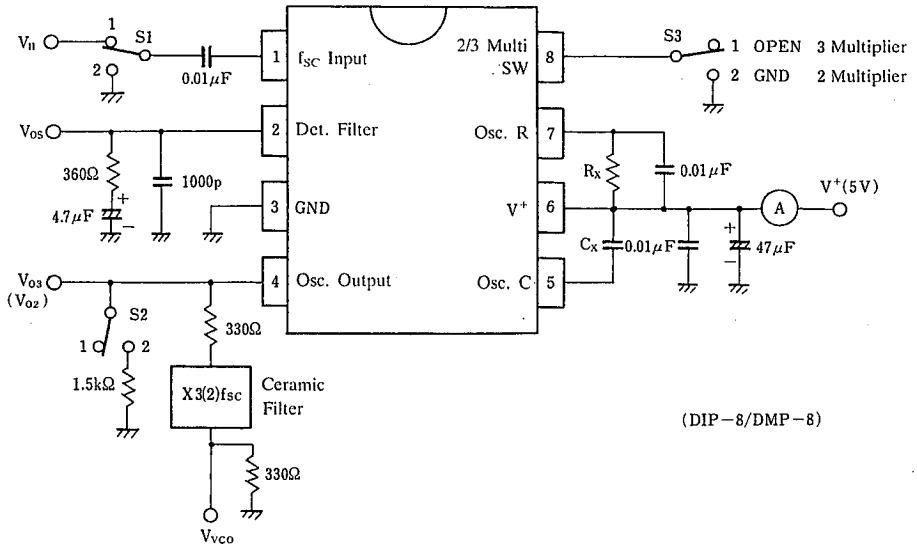
PARAMETER	SYMBOL	RATINGS	UNIT
Supply Voltage	V*	8	V
Input Voltage	Io	GND-0.3~V*+0.3	V
Power Dissipation	Pd	(DIP8) 500	mW
		(DMP8) 300	mW
		(SIP8) 500	mW
Operating Temperature Range	ToPr	-20~+75	°C
Storage Temperature Range	Tstg	-40~+125	°C

■ ELECTRICAL CHARACTERISTICS

(V*=5V, Ta=25°C)

PARAMETER	SYMBOL	TEST CONDITION	MIN.	TYP.	MAX.	UNIT
Operating Voltage	V*		4.7	5.0	5.3	V
Operating Current	Icc	S1=1, S2=1, input Vi1 : 3.58MHz Count Current	7	10	13	mA
(3 Multiplier Oscillator)		(S3=1 apply below abbreviation)				
Input Voltage Swing Range	Vfsc3	S1=1, S2=1, input Vi1 : 3.58 or 4.43MHz (sine wave), guaranteed Vi1 voltage range.	0.12	1.0	2.0	Vp-p
Input Sensitivity	Vls3	S1=1, S2=1, input Vi1 : 3.58 or 4.43MHz (sine wave), actually tested minimum Vi1 voltage.	—	0.05	—	Vp-p
VCO Oscillation Swing	Vo3	S1=1, S2=2, input Vi1 : 3.58MHz, 1.0Vp-p. Vo3 Oscillation Swing	0.7	0.9	1.1	Vp-p
fsc Leakage	Lfsc3	S1=1, S2=2, input Vi1 : 3.58MHz, Vo3 (fsc level/3fsc level)	—	-50	—	dB
3fsc Output Duty	D3fsc	S1=1, S2=2, input Vi1 : 3.58MHz, 1.0Vp-p, Vos output signal duty.	45	50	55	%
(2 Multiplier Oscillator)		(S3=2 apply below)				
Input Voltage Swing Range	Vfsc2	S1=1, S2=1, input Vi1 : 3.58 or 4.43MHz (sine wave), guaranteed Vi1 voltage range.	0.12	1.0	2.0	Vp-p
Input Sensitivity	Vls2	S1=1, S2=1, input Vi1 : 3.58 or 4.43MHz (sine wave), actually tested minimum Vi1 voltage.	—	0.05	—	Vp-p
VCO Oscillation Swing	Vo2	S1=1, S2=2, input Vi1 : 3.58MHz, 1.0Vp-p, Vo2 Oscillation Swing	0.7	0.9	1.1	Vp-p
fsc Leakage	Lfsc2	S1=1, S2=2, input Vi1 : 3.58MHz, 1.0Vp-p, Vo2 (fsc level/2fsc level)	—	-50	—	dB
2fsc Output Duty	D2fsc	S1=1, S2=2, input Vi1 : 3.58MHz, 1.0Vp-p, Vo2 Output signal duty.	45	50	55	%

■ TEST CIRCUIT



(DIP-8/DMP-8)

(note 1): R_x , C_x accuracy: less than $\pm 1\%$.

(note 2): C_x is not considered pin 5 stray capacitance. VCO free-run frequency is affected by stray capacitance of P.C board, socket and others.

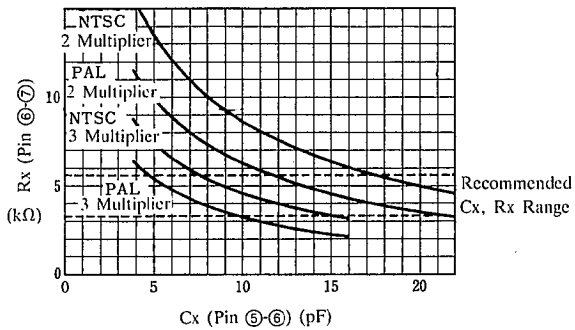
(note 3): The NJM2228 is produced by high frequency wafer process and some of pin may be weak against surge voltage.

(note 4): Pin 2 filter must be connected to ground.

■ TYPICAL CHARACTERISTICS

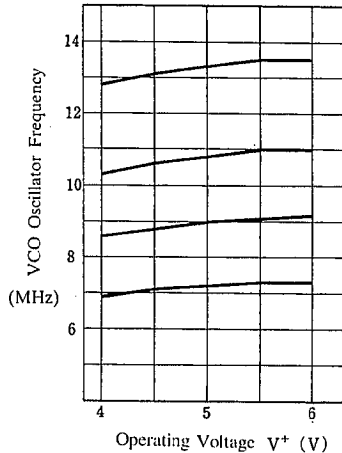
VCO Oscillator Frequency

($V_{OS}=2V$, $T_a=25^\circ C$)



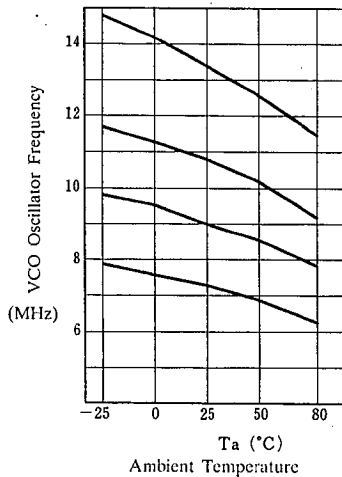
VCO Oscillator Frequency

(No input signal, $V_{OS}=2.0V$, $T_a=25^\circ C$)



VCO Oscillator Frequency

(No input signal, $V_{OS}=2.0V$)



MEMO

[CAUTION]

The specifications on this databook are only given for information, without any guarantee as regards either mistakes or omissions. The application circuits in this databook are described only to show representative usages of the product and not intended for the guarantee or permission of any right including the industrial rights.