

NE5551/2/3/4/5 Series – Dual Polarity Tracking Regulator

GENERAL DESCRIPTION

The NE/SE5551, 2, 3, 4, 5 are dual polarity tracking regulators designed to produce balanced or unbalanced output voltages from 5 to 20 volts with up to 300 mA output current. Similar in specifications to the 78MXX and 79MXX fixed regulators, the 5551 series can be continuously adjusted, balanced or unbalanced. Standard fixed voltages available are ± 5 , ± 6 , ± 12 , ± 15 , and $+5$, -12 volts. Employing current limiting and thermal shutdown protection, these dual polarity regulators are ideal for local on-card regulation.

FEATURES

- Output current to 300mA
- Internally current limited
- Thermal overload protected
- Input voltage $\pm 0 \pm 32$ V
- Output balance 1% typ.
- External balance control
- Continuously adjustable from 5 to 20 volts, balanced or unbalanced
- No external components required
- Short circuit current 400mA
- Heat sink available for increased power dissipation

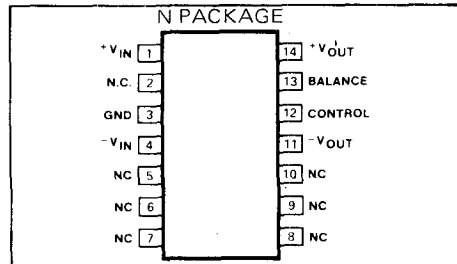
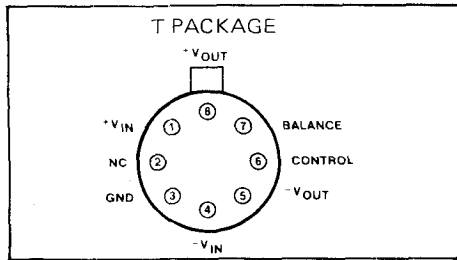
VOLTAGE RANGE

VOLTAGE	PART NO.
± 5 V	SE/NE5551
± 6 V	SE/NE5552
± 12 V	SE/NE5553
± 15 V	SE/NE5554
$+5, -12$ V	SE/NE5555

MAXIMUM RATINGS

PARAMETER	RATING	UNIT
V_{IN} Input Voltage	± 32	V
T_{SG} Storage Temperature	-65 to $+150$	$^{\circ}$ C
T_J Operating Junction Temperature		
NE5551/2/3/4/5	0 to $+125$	$^{\circ}$ C
SE5551/2/3/4/5	-55 to $+150$	$^{\circ}$ C
Lead Temperature 10sec	300	$^{\circ}$ C

CONNECTION DIAGRAM

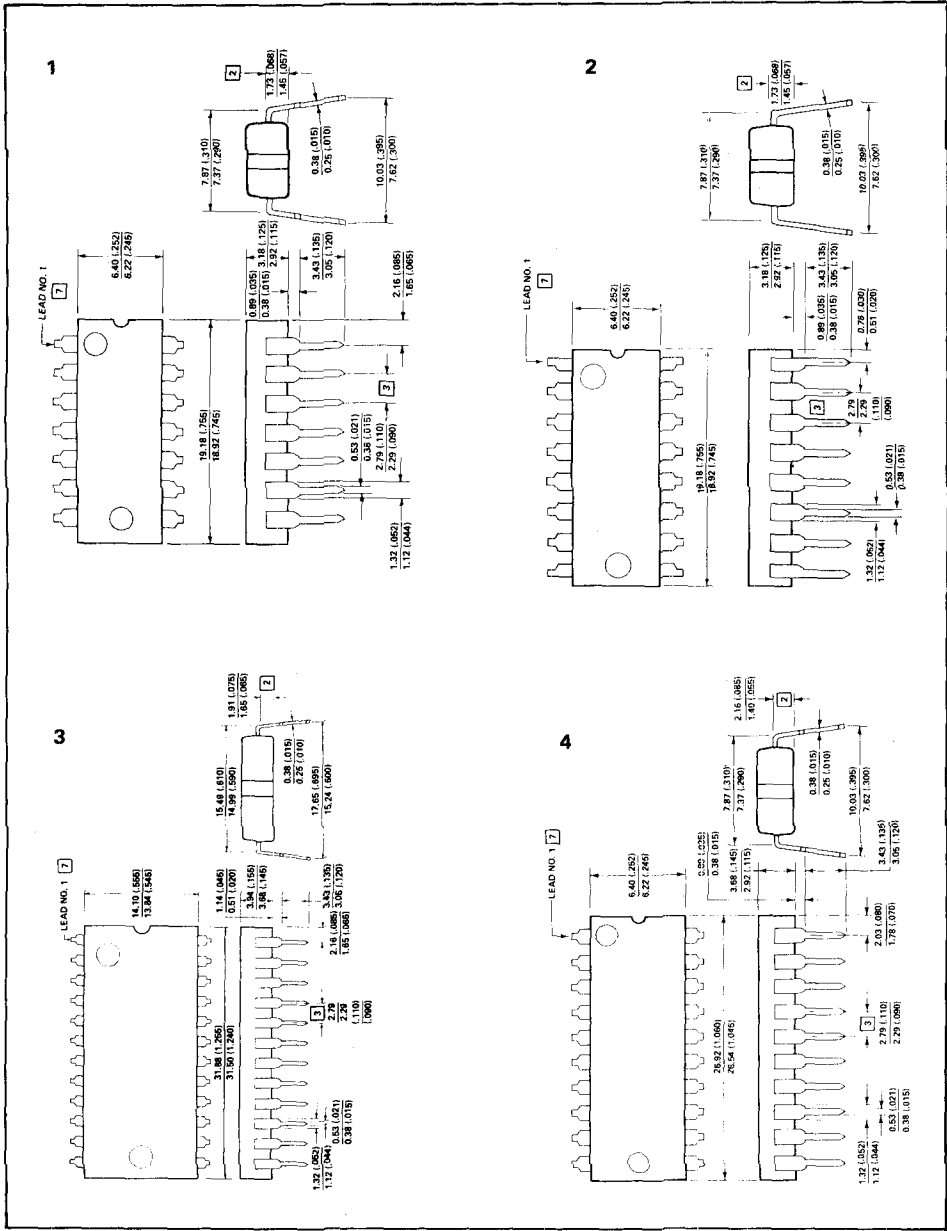


REFERENCE TABLE

TYPE NO.	STOCK NO.	OUTLINE DRWG. NO.
NE5551N	56111E	1
NE5551T	56112C	7
NE5552N	56113A	1
NE5552T	56114X	7
NE5553N	56115H	1
NE5553T	56116F	7
NE5554N	56117D	1
NE5554T	56118B	7
NE5555N	56119X	1
NE5555T	56120C	7
SE5551N	56121A	1
SE5551T	56122X	7
SE5552N	56123H	1
SE5552T	56124F	7
SE5553N	56125D	1
SE5553T	56126B	7
SE5554N	56127X	1
SE5554T	56128R	7
SE5555N	56129G	1
SE5555T	56130X	7

PLEASE QUOTE STOCK NO.
AND MANUFACTURERS PART NO. WHEN ORDERING





PLEASE QUOTE STOCK NO.
AND MANUFACTURERS PART NO. WHEN ORDERING



Signetics

Outline Drawings



III GEMINI

FOR CURRENT PRICES PHONE
HARLOW (0279) 29644

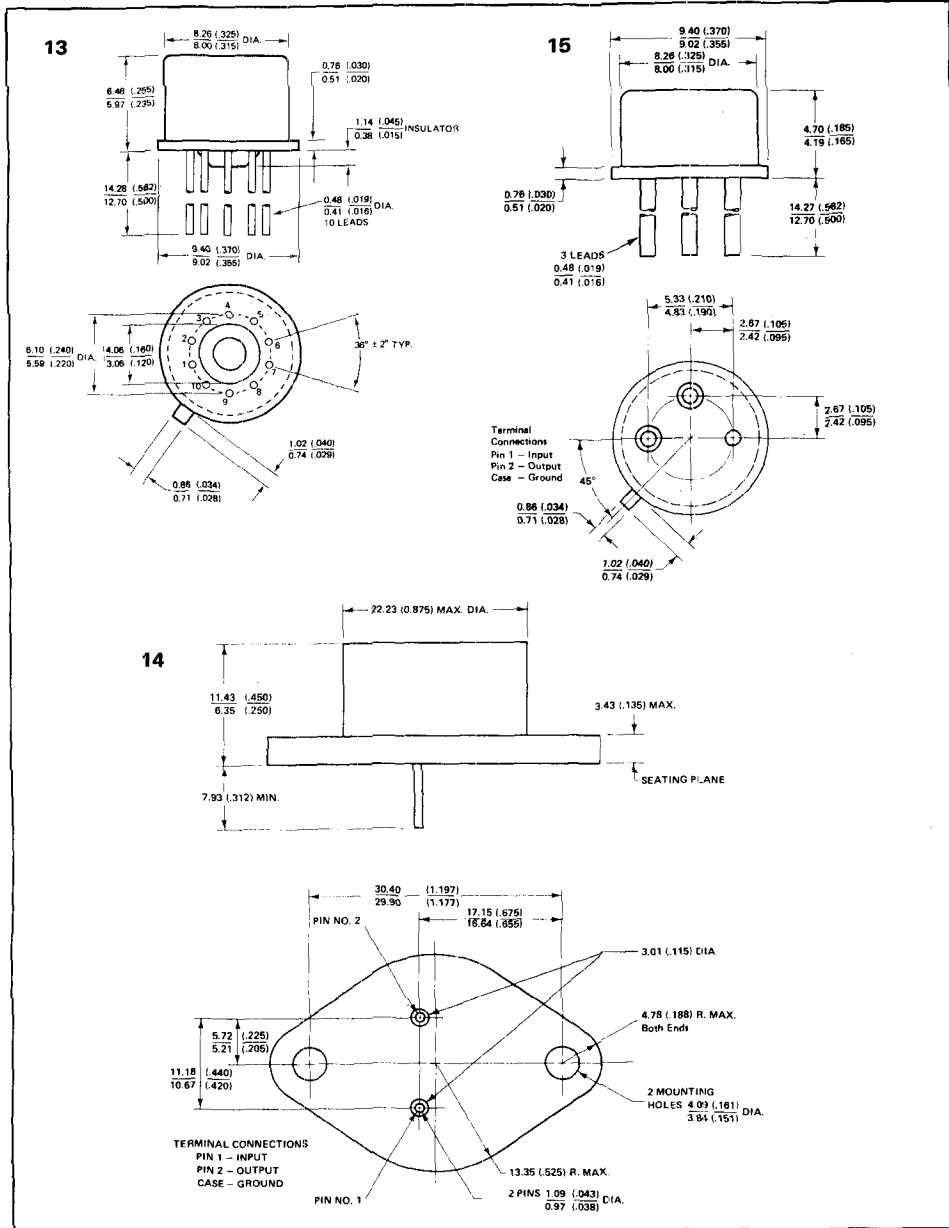


PLEASE QUOTE STOCK NO.
AND MANUFACTURERS PART NO. WHEN ORDERING

ITT GEMINI

Signetics

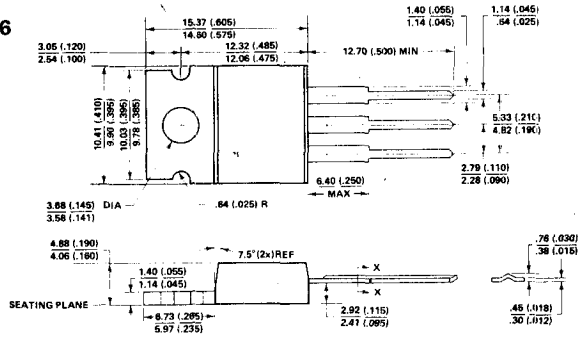
Outline Drawings



ITT GEMINI

FOR CURRENT PRICES PHONE
HARLOW (0279) 29644

16



17



19



PLEASE QUOTE STOCK NO.
AND MANUFACTURER PART NO. WHEN ORDERING

TTT GEMINI

