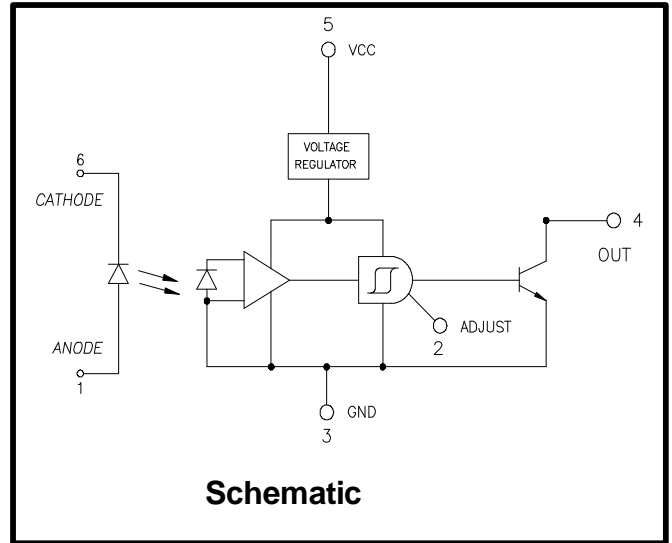
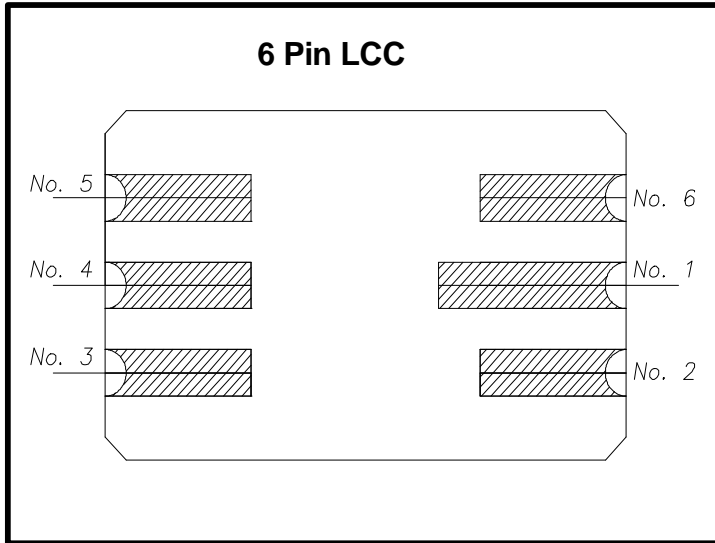


MXP6505

- Ambient Temperature Range -40°C to + 85°C
- VCC Range 4.5V to 18V
- Supply Current 3.5mA max @ 5V
- Output sinks 16mA @ 400mV max
- NPN Onen-Collector Output

Opto Coupler with Logic Output And Adjustable Optial Threshold

	-0.5V to +20V
Voltage at OUT (Output OFF)	-0.5V to + Vcc +0.5V



Electrical Characteristics @ 25°C

Input Diode

Symbol	Parameter	Min.	Typ.	Max.	Units	Test Conditions
V _R	Reverse Voltage	2.0			V	I _R = 10μA
V _F	Forward Voltage			1.95	V	I _F = 100mA
P _o	Radiant Power Output	4.0	7.5		mW	I _F = 100mA

Electrical Characteristics @ 25°C (Con't)

Output Detector

Parameter	Symbol	Min.	Typ.	Max.	Units	Test Conditions	Notes
Vcc Voltage Range	VccR	4.5	5	18	V		
Supply Current @ 5V (output low)	Icc5L	1.1	1.6	2.3	mA	LED ON	
Supply Current @ 5V (output high)	Icc5H	1.8	2.5	3.5	mA	LED OFF	
Supply Current @ 18V (output low)	Icc18L	1.5	2.2	3.1	mA	LED ON	
Supply Current @ 18V (output high)	Icc18H	22	3.1	4.4	mA	LED OFF	
Low-level Output Voltage @ 16mA (Vcc = 4.5V)	VOL 1	-	290	400	mV	LED ON	
Low-level Output Voltage @ 16mA (Vcc = 18V)	VOL 2	-	285	400	mV	LED ON	
High-level Output Current @ 18V (Vcc = 4.5V)	I0H1	-	0	10	μA	LED OFF	
Output Fall Time (Vcc = 5V)	T _f	-	16	30	nS	RL = 10K CL = 15 pF	
Output Rise Time (Vcc = 5V)	T _r	-	440	600	nS	RL = 10K CL = 15 pF	