



### SINGLE CHIP 10/100 FAST ETHERNET CONTROLLER WITH uP INTERFACE

#### 1.0 Features

- Direct interface to 80188/186 up to 40Mhz.
- Integrated 10/100 TP transceiver on chip to reduce overall cost
- Fully comply to IEEE 802.3u spec.
- Best fit in network printer and hub/switch management application
- A local DMA channel between on-chip FIFOs and packet memory
- Shared memory architecture allow host and MX98726 to use only one single SRAM
- Host DMA can share packet memory with local DMA with simple hand shake protocol for x188/186 type of processor
- Support bus size configuration:
  - CPU : 8 bits, SRAM: 8 bits
  - CPU : 16 bits, SRAM: 8/16 bits
- Flexible packet buffer partition and addressing space for 32k, 64k up to 512 bytes
- NWAY autonegotiation function to automatically set up network speed and protocol
- 3 loop back modes for system level diagnostics
- Rich on-chip register set to support a wide variety of network management functions
- Support 64 bits hash table for multicast addressing
- Support software EEPROM interface for easy upgrade of EEPROM content
- Support 1K bits and 4K bits EEPROM interface
- 5V CMOS in 128 PQFP package for minimum board size application

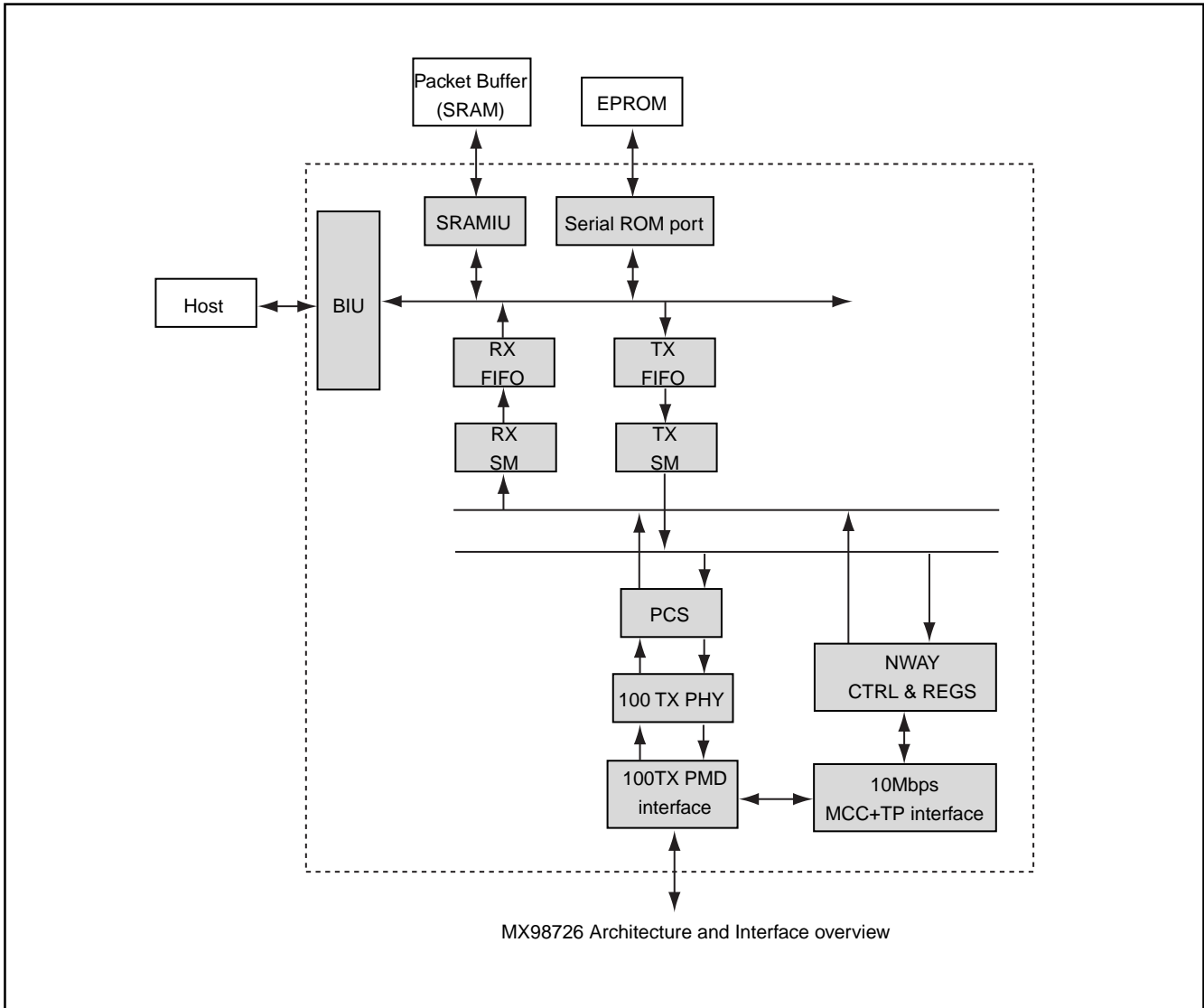
#### 1.1 Introduction

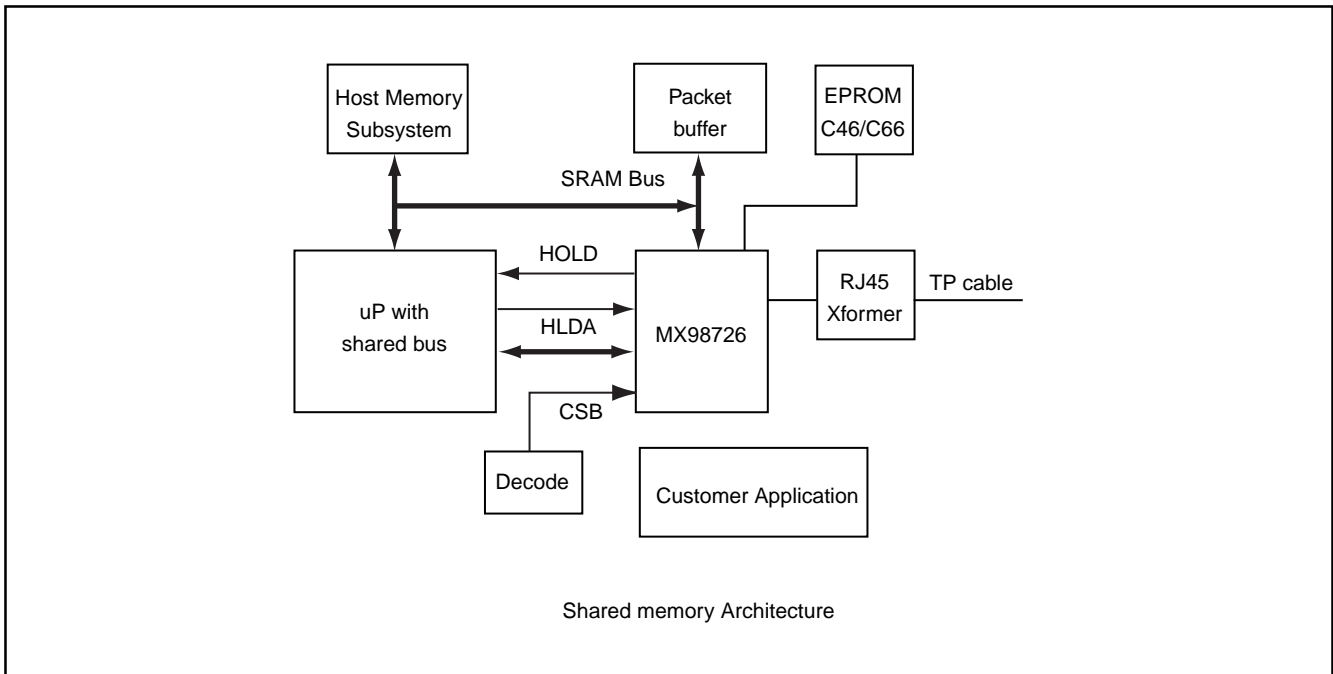
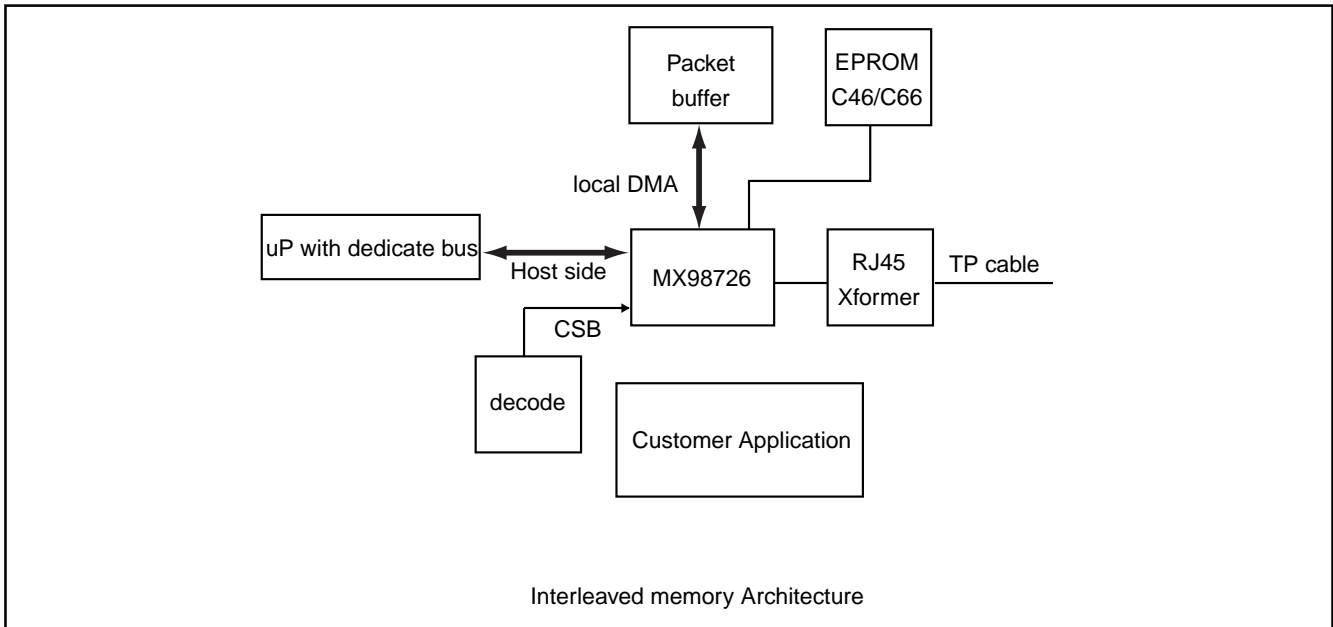
MX98726 ( Generic MAC , or GMAC ) is a cost effective solution as a generic single chip 10/100 Fast Ethernet controller. It is designed to directly interface 80188, 80186 ( host ) without glue logic. Two types of memory sharing schemes are supported, i.e. interleaved and shared mode to support a variety of applications. Single chip solution will help reduce system cost not only on the components but also the board size. Full NWAY function with 10/100 transceiver will ease the field installation, simply plug the chip in and it will connect itself with the best protocol available.

The interleaved mode allow uP to access SRAM ( packet/host buffer ) through MX98726's local DMA channel. This way, no extra SRAM interface logic is needed on the host side. If high performance is desired, then shared memory mode is another alternative which allow host to access SRAM on its own by denying SRAM bus grant to MX98726 using simple hand shake protocol. Without SRAM bus grant, MX98726 will float its interface connected to the SRAM, therefore host can utilize its own memory subsystem to conduct its own SRAM access.

A intelligent built-in SRAM bus arbitor will manage all the SRAM access requests from host, on-chip transmit channel and on-chip receive channel. The throughput of these network channels and MX98726's DMA burst length can be easily adjusted by option bits on the chip. These options can help system developers to "fine tune" a best cost/performance ratio.

MX98726 is also equipped with fast back-to-back transmit capability which allow software to "fire" as many transmit packets as needed in a single command. Receive FIFO also allow back-to-back reception. Optional EEPROM can be used to stored network network address and other information. In case cost is really a concern, most configuration options including network address can be programmed through uP.

**1.2 Internal Block Diagram**


**1.3 Typical Applications**


## 2.0 Pin Configuration and Description



**2.1 Pin Description : ( all internal pull-up resistor is 168K ohm, pull-down is 70k ohm )**

PIN#	Pin Name	Type	Description															
82	CLKIN	I, TTL	Host Clock Input : 8M to 40 Mhz.															
49-54, 56,57	AD[7:0]	I/O, 4ma	Multiplexed Address/Data Bit [7:0] :															
59-62, 66-69	AD[15:8]	I/O, 4ma	Multiplexed Address/Data Bit [15:8] :															
76	ALE	I, TTL	Address Latch Enable : Active high															
70-73	A[19:16]	I, TTL	Host Address Bit [19:16] : Internal pull-down															
79	RDB	I, TTL	Host Read Strobe: Active low.															
78	WRB	I, TTL	Host Write Strobe : Active low.															
81	INTB	O/D, 4ma	Host Interrupt Output : Polarity can be programmed, default is active low. For active Low interrupt application, external pull-up is required. For active high interrupt application, external pull-down is required.															
75	BHEB	I, TTL	Host Byte High Enable : <table border="1" style="margin-left: 20px;"> <thead> <tr> <th>BHEB</th> <th>A0</th> <th>Function</th> </tr> </thead> <tbody> <tr> <td>0</td> <td>0</td> <td>Word Transfer</td> </tr> <tr> <td>0</td> <td>1</td> <td>Upper Byte Transfer</td> </tr> <tr> <td>1</td> <td>0</td> <td>Lower Byte Transfer</td> </tr> <tr> <td>1</td> <td>1</td> <td>Lower Byte Transfer</td> </tr> </tbody> </table>	BHEB	A0	Function	0	0	Word Transfer	0	1	Upper Byte Transfer	1	0	Lower Byte Transfer	1	1	Lower Byte Transfer
BHEB	A0	Function																
0	0	Word Transfer																
0	1	Upper Byte Transfer																
1	0	Lower Byte Transfer																
1	1	Lower Byte Transfer																
80	SRDY	O, 4ma	Synchronous Host Ready Output : Active high synchronized to CLKIN to indicate data is ready to be transferred. Initially low at the beginning of a host cycle.															
47	CSB	I, TTL	Chip Select : Active low, used to enable GMAC to decode host address. When high, no host cycle is recognized by MAC.															
48	MIO	I, TTL	Host Memory/IO cycle indicator : Set for memory access and reset for IO access. Internal pull-up. Decode of MIO can be disable by DISMIO register bit. Default is enabled.															
45	HOLD	O, 4ma	Packet Memory Bus Hold Request : Active high to request Host to "float" its interface of the packet memory. Host grants the packet buffer bus to MX98726 by asserting HLDA = 1.															
46	HLDA	I, TTL	Packet Memory Bus Hold Acknowledge: Packet buffer bus is granted to MX98726. If HLDA=0 then MX98726 will float its interface on the packet buffer. Internal pull-up.															
77	PSENB	I, TTL	Host Program Strobe Enable : Active low to indicate current cycle is a ROM access and MX98726 will not decode this ROM cycle. PSENB must high for packet memory access.															
74	RSTB	I, TTL	Host Reset Input : Active low															

**Packet Buffer Interface :**

PIN#	Pin Name	Type	Description
4-7,1, 115-119	MA[19:3]	O,4ma	Memory Address Bit 19-0: If HLDA = 0 then all these address lines are tri-stated.
90-96, 98-104, 106-109	MD[15:0]	I/O,4ma	Memory Data Bit 15-0:
114	MA2(EEDO)	1/O,4ma	Memory Address Bit 2 or EEPROM Data Out bit: Right after host reset, GMAC automatically load configuration information from external EEPROM. During this period, MA2 pin acts as a EEDO pin that read in output data stream from EEPROM. After EEPROM auto load sequence is done, this pin becomes MA2 together with MA[19:3] forms packet buffer address line 19 - 0. Internally pull-down.
113	MA1(EEDI)	1/O,4ma	Memory Address Bit 1 or EEPROM Data In bit: During EEPROM auto load sequence, MA1 pin acts as EEDI pin that write data stream into EEPROM. After EEPROM auto load sequence is done, this pin becomes MA1, together with MA[19:2] forms packet buffer address lines.
111	MA0(EECK)	1/O,4ma	Memory Address Bit 0 or EEPROM Clock Input : During EEPROM auto load sequence, MA0 pin acts as EECK pin that provides clock to EEPROM. After EEPROM auto load sequence is done, this pin becomes MA0, together with MA[19:1] forms packet buffer address lines.
87	MOEB	O,4ma	Memory Output Enable: Active low during packet buffer read access.
86	MCSB	O,4ma	Memory Chip Select: Active low during packet buffer accesses.
88, 89	MWEB[1:0]	O,4ma	Byte Write Enable: Active low during packet buffer write cycle. MWEB1 for high byte and MWEB0 for low byte.

**10/100 Tranceiver interface :**

PIN#	Pin Name	Type	Description
14	RDA	O	RDA external resistor to ground: 10K ohm, 5%
17	CKREF(X1)	I, TTL	25Mhz , 30 PPM external osc./crystal input :
16	X2	O	25Mhz , 30 PPM external crystal output :
23	RXIN	I	Twisted pair receive differential input: support both 10/100 Mbps speed
24	RXIP	I	Twisted pair receive differential input: support both 10/100 Mbps speed
29	TXON	O	Twisted pair transmit differential output: support both 10/100 Mbps speed, meet 802.3/802.3u spec.
30	TXOP	O	Twisted pair transmit differential output: support both 10/100 Mbps speed, meet 802.3/802.3u spec.
32	CPK	O	NC pin : used in test mode only
33	RTX2EQ	O	RTX2EQ external resistor to ground: 1.4K ohm, 5%
34	RTX	O	RTX external resistor to ground: 560 ohm, 5%

**Miscellaneous :**

PIN#	Pin Name	Type	Description						
110	EECS	O,2ma	EEPROM Chip Select Signal : Active high						
44	C46/C66	I,TTL	EEPROM Size Select : Set for C46, reset for C66. Internal pull-up.						
84	LED0	O,16ma	LED0 : SPEED LED, when light is on, it indicates 100 Mbps speed. When off indicates 10 Mbps speed.						
83	LED1	O,16ma	LED1 :Link/Activity LED, when light is stable and on, it indicates good link. When flashing, indicates TX and RX activities. When off means bad link.						
42	UPTYPE0,	I,TTL	uP type select control bit 1-0: UPTYPE1 is internally pull-up, UPTYPE0 is internally pull-down. <table border="0" style="margin-left: 20px;"> <tr> <td>UPTYPE0</td> <td>uP selected</td> </tr> <tr> <td>0</td> <td>80188</td> </tr> <tr> <td>1</td> <td>80186</td> </tr> </table>	UPTYPE0	uP selected	0	80188	1	80186
UPTYPE0	uP selected								
0	80188								
1	80186								
43	NC		No connect						



**Vdd/Gnd Pins :**

PIN#	Pin Name	Description
12,15,20,28,35,38,40	VDDA	Analog Vdd Pins : Must be carefully isolated in a separated vdd plane.
13,18,19,31,36,37,39,41	GNDA	Analog Ground Pins : Must be carefully isolated in a separated ground plane.
22,25	VDDR	RX Vdd Pins : Must be carefully isolated in a separated Vdd plane.
21,26,27	GNDR	RX Ground Pins : Must be carefully isolated in a separated ground plane.
3,58,63,92,97,120	VDD	Digital Vdd Pins : Must be carefully isolated in a separated Vdd plane.
2,55,64,65,85,93,105,112,128	GND	Digital Ground Pins : Must be carefully isolated in a separated ground plane.



### 3.0 Register (Default value is defined after hardware/power-up reset)

**Reset logic :** All register bits are cleared by hardware reset, while register bit with an "\*" in its symbol name is also cleared by software reset.

#### Network Control Register A : NCRA (Reg00h),R/W, default=00h

Bit	Symbol	Description																				
0.0	RESET	Software reset.																				
0.1	ST0*	Start Transmit Command/Ststus: Write to issue commands, when done both bits are cleared automatically.																				
0.2	ST1*																					
<p>Transmit operation:</p> <table border="1"> <thead> <tr> <th></th> <th>ST1</th> <th>ST0</th> <th></th> </tr> </thead> <tbody> <tr> <td>Stop Transmission</td> <td>0</td> <td>0</td> <td>To stop transmission (if read, indicates IDLE state)</td> </tr> <tr> <td>TX DMA Poll</td> <td>0</td> <td>1</td> <td>Start TX DMA</td> </tr> <tr> <td>TX FIFO Send</td> <td>1</td> <td>0</td> <td>Immediately send the packet stored in TX FIFO</td> </tr> <tr> <td>TX DMA Poll</td> <td>1</td> <td>1</td> <td>Same as ST1=0, ST0=1.</td> </tr> </tbody> </table>				ST1	ST0		Stop Transmission	0	0	To stop transmission (if read, indicates IDLE state)	TX DMA Poll	0	1	Start TX DMA	TX FIFO Send	1	0	Immediately send the packet stored in TX FIFO	TX DMA Poll	1	1	Same as ST1=0, ST0=1.
	ST1	ST0																				
Stop Transmission	0	0	To stop transmission (if read, indicates IDLE state)																			
TX DMA Poll	0	1	Start TX DMA																			
TX FIFO Send	1	0	Immediately send the packet stored in TX FIFO																			
TX DMA Poll	1	1	Same as ST1=0, ST0=1.																			
<p>All transmit commands are cleared to "00" when operation is done ( except Stop transmission command ). When Stop transmission command is issued, check TXDMA[3:0] = 1h for IDLE state, making sure that internal TX state machine is in IDLE state. TX DMA poll and TX FIFO Send can not be used at the same time. New packet can be written to FIFO directly only when ST1, ST0=0 and TXDMA[3:0]= 1h. TX FIFO send and TX FIFO poll commands can be issued only when ST1, ST0=IDLE and TXDMA[3:0]=1h.</p>																						
0.3	SR*	Start Transmit: Enable the MAC receive packets. Default is disabled.																				
0.4, 0.5	LB0*,LB1*	<table border="1"> <thead> <tr> <th>Loopback Mode:</th> <th>LB1</th> <th>LB0</th> <th></th> </tr> </thead> <tbody> <tr> <td>Mode0</td> <td>0</td> <td>0</td> <td>Normal mode</td> </tr> <tr> <td>Mode1</td> <td>0</td> <td>1</td> <td>Internal FIFO Loopback</td> </tr> <tr> <td>Mode2</td> <td>1</td> <td>0</td> <td>Internal NWAY Loopback</td> </tr> <tr> <td>Mode3</td> <td>1</td> <td>1</td> <td>Internal PMD Loopback</td> </tr> </tbody> </table>	Loopback Mode:	LB1	LB0		Mode0	0	0	Normal mode	Mode1	0	1	Internal FIFO Loopback	Mode2	1	0	Internal NWAY Loopback	Mode3	1	1	Internal PMD Loopback
Loopback Mode:	LB1	LB0																				
Mode0	0	0	Normal mode																			
Mode1	0	1	Internal FIFO Loopback																			
Mode2	1	0	Internal NWAY Loopback																			
Mode3	1	1	Internal PMD Loopback																			
<p>Mode 2 and 3 are reserved for IC test purpose. Only mode 1 can be used on bench. External loopback for bench can be done by full duplex normal mode with real cable hooked up from TX port to RX port.</p>																						
0.6	INTMODE	Interrupt Mode: Set for active high interrupt, reset for active low interrupt case.																				
0.7	CLKSEL	Clock Select : Set to use internal 40MHz clock for all internal DMA, default is reset to use internal 50MHz clock for all internal DMA.																				

**Network Control Register : NCRB (Reg01h),R/W, default=01h**

Bit	Symbol	Description
1.0	PR*	Promiscuous mode: Set to receive any incoming valid frames received, regardless of its destination address. Default is set.
1.1	CA*	Capture Effect Mode: Set to enable an enhanced backoff algorithm to avoid network capture effect.
1.2	PM*	Pass Multicast: Set to accept all multicast packets including broadcast address ( 1st bit in destination address is 1 ), default is reset
1.3	PB*	Pass Bad Frame: Enable GMAC to accept Runt frame. Default is reset.
1.4	AB*	Accept Broadcast: Default is reset. Set to accept all broadcast packets.
1.5	HBD*	Heart Beat Check Disable: Set to disable heart beat check in 10 Base-T mode, default is disable. Not used in 100 TX mode CRC error frame.
Reserved		Must be 00.

**GMAC Test Register A : TRA (Reg02h),R/W, default=00h**

Bit	Symbol	Description
2.0	TEST	Test mode enable: Set to enable test modes defined by TMODE[2:0], default is reset for normal operation.
2.1-2.3	TMODE[2:0]	Test Mode Select bits[2:0]: Reserved for GMAC's internal test, only meaningful when TEST bit is set.
2.4	RWR	Receive Watchdog Release : When set, the receive watchdog is released 40 to 48 bit times from the last carrier deassertion. When reset, the receive watchdog is released 16 to 24 bits times from the last carrier deassertion.
2.5	RWD	Receive Watchdog Disable : When set, the receive watchdog is disabled. When reset, receive carriers longer than 2560 bytes are guaranteed to cause the watchdog timeout. Packets shorted than 2048 bytes are guaranteed to pass.
2.6	FC	Forced Collision : Set to force collision at every transmit packet, this bit works only in internal FIFO loopback mode, i.e. LB0=1, LB1=0, to test excessive collision. Default is reset.
2.7	SB	Start/Stop Backoff counter: When set, indicates internal backoff counter stops counting when any carrier is detected. Counter resumed when carrier drops. When reset, the internal backoff counter is not affected by carrier activity. Default is reset.

**GMAC Test Register : TRB (Reg03h), R/W, default=00h**

Bit	Symbol	Description
3.0	FKD*	Flaky Oscillator Disable: When set, indicates that the internal flaky oscillator is disabled; pseudo random numbers are chosen instead of fully random numbers, used for internal diagnostic purpose. Set to disable normal clocking scheme in timer's test, set to enable timer test. Default is reset.
3.1	RDNCNTCB*	Reserved for test
3.2	RDNCNTSB*	Reserved for test
3.3	COLCNTCB*	Reserved for test
3.4	BFS0	Reserved for test
3.5	BKCNTLB*	Reserved for test
3.6	BFS1	Reserved for test
3.7	BFSTATUS	Reserved for test

**Last Transmitted Packet Status: LTPS ( Reg04h), RO, default=00h**

Bit	Symbol	Description
4.0	CC0*	Collision Count Bit 0 :
4.1	CC1*	Collision Count Bit 1 :
4.2	CC2*	Collision Count Bit 2 :
4.3	CC3*	Collision Count Bit 3 : when CC[3:0] = 1111 and a new collision is detected, then it is called excessive collision error which will abort the current packet, TEI interrupt bit will be set.
4.4	CRSLOST*	Carrier Sense Lost : Set to indicate CRS was lost during the transmission, default is reset for normal packet transmission.
4.5	UF*	TX FIFO underflow : Set to indicate a underflow problem in TX FIFO an FIFOEI interrupt is generated for driver to resolve this problem.
4.6	OWC*	Out of Window Collision : Set to indicate an collision occured after 64 bytes of data has been transmitted, no retransmission will be issued
4.7	TERR*	Transmit Error: Set to indicate packet transmitted with error, reset for normal packet transmission.

**Last Received Packet Status: LRPS ( Reg05h), RO, default=00h**

Bit	Symbol	Description
5.0	BF*	RX Packet Buffer Full Error : 1 indicates RX packet buffer is full.
5.1	CRC*	CRC error : Calculation is based on integer multiple of bytes, set to indicate CRC error for received packet.
5.2	FAE*	Frame Alignment Error : Set to indicate extra nibble is received which is not at octet boundary. This error is independent of CRC detection.
5.3	FO*	FIFO overrun : When set, an interrupt is generated, driver must resolve this error.
5.4	RW*	Receive Watchdog : Set to indicate the frame length exceeds 2048 bytes. An interrupt will be generated to driver.
5.5	MF*	Multicast address : Set to indicate current frame has multicast address.
5.6	RF*	Runt Frame : Set to indicate a frame length less than 64 bytes, only meaningful when Reg01h.3 PB bit =1 is set.
5.7	RERR*	Receive Error : Set to indicate a packet received with errors including CRC, FAE, FO, RW, ( RF and PB=1 ).

Notes : This LRPS register contains the same status byte as in the description field of the last received packet in the packet memory.

**Missed Packet Counter: MPC (Reg07/06h), R/W, default=0000h**

Bit	Symbol	Description
6.7-0	MISSCNT[7:0]*	Miss Packet Counter Bit [7:0]: Lower byte of Miss packet counter
7.7-0	MISSCNT[15:8]*	Miss Packet Counter Bit [15:8]: Upper byte of Miss packet counter

**Interrupt Mask Register: IMR (Reg08h), R/W, default=00h**

Bit	Symbol	Description
8.0	CNTOFIM	Miss Counter Over Flow Interrupt Mask : Set to enable Miss counter overflow interrupt, default is reset. When Overflow condition of the miss packet counter occurs, counter is halt and driver need to resolve this condition in order to reset the counter if counter is ever used.
8.1	RIM	Received Interrupt Mask: Set to enable Packet Received Interrupt, default is reset which disable RI interrupt.
8.2	TIM	Transmit Interrupt Mask: Set to enable Packet transmit OK interrupt, default is reset which disable TI interrupt.
8.3	RXEIM	Receive Error Mask: Set to enable Receive Error interrupt, default is reset which disable RXEI interrupt.
8.4	TXEIM	Transmit Error Mask: Set to enable transmit error interrupt, default is reset which disable TXEI interrupt.
8.5	FIFOEIM	FIFO Error Interrupt Mask: Set to enable FIFO Error interrupt, default is reset which disable FIFOEI interrupt.
8.6	BUSEIM	Bus Error Interrupt Mask: Set to enable Bus Error interrupt, default is reset which disable BUSEI interrupt.
8.7	RBFIM	RX Buffer Full Interrupt Mask: Set to enable RX Buffer full interrupt, default is reset which disable BFI interrupt.

**Interrupt Register: IR (Reg09h), R/W, default=00h**

Bit	Symbol	Description
9.0	CNTOFI*	Miss Counter Over Flow Interrupt : Set to assert interrupt when Miss packet counter is overflow, write 1 to this bit will clear the bit and interrupt, write 0 has no effect.
9.1	RI*	Receive OK interrupt : Set to assert interrupt, write 1 to this bit will clear the bit and interrupt, write 0 has no effect
9.2	TI*	Transmit OK interrupt: Set to assert interrupt, write 1 to this bit will clear the bit and interrupt, write 0 has no effect
9.3	REI*	Receive Error Interrupt: Set to assert interrupt when packet is received with error , write 1 to this bit will clear the bit and interrupt, write 0 has no effect
9.4	TEI*	Transmit Error Interrupt : Set to assert interrupt when packet is transmitted with error, write 1 to this bit will clear the bit and interrupt, write 0 has no effect
9.5	FIFOEI*	FIFO Error Interrupt: Set to assert interrupt when either TX FIFO is overrun or RX FIFO is overrun, write 1 to this bit will clear the bit and interrupt, write 0 has no effect
9.6	BUSEI*	Bus Error Interrupt: Set to assert interrupt when Bus integrity check is enabled and failed. Write 1 to this bit will clear the bit and interrupt, write 0 has no effect
9.7	RBFI*	RX Buffer Full Interrupt: Set to assert interrupt when RX buffer area is being overwritten by new received packets, write 1 to this bit will clear the bit and interrupt, write 0 has no effect

Note : All page pointer bit [11:0] are mapped to MA[19:8] in the same bit ordering.

**Boundary Page Pointer Register: BP (Reg0Bh/0Ah), R/W, default=x000h**

Bit	Symbol	Description
0A.7-0, 0B.3-0	BP[11:0]	Boundary Page Pointer between tx/rx buffer: page TLBP[11:0] to page BP[11:0] is tx buffer. page BP[11:0] to RHBP[11:0] is rx buffer. BP[11:0] is mapped to MA[19:8]. MSB bit is Reg0BH.3 bit. LSB is Reg0AH.0 bit.

**TX Low Boundary Page Pointer Register: TLBP (Reg0Dh/0Ch), R/W, default=x000h**

Bit	Symbol	Description
0C.7-0, 0D.3-0	TLBP[11:0]	TX Low Boundary Page Pointer : Points to the first page of transmit buffer ring. It's a static pointer that is used by GmAC to link to the last page pointed by boundary pointer. TLBP[11:0] MSB bit is Reg0Fh.3 bit. LSB is Reg0Ch.0 bit.

**Transmit Buffer Write Page Pointer Register: TWP (Reg0Fh/0Eh), R/W, default=x000h**

Bit	Symbol	Description
0E.7-0, 0F.0-3	TWP[11:0]	Transmit Buffer Write Page Pointer: TWP[11:0] are mapped to MA[19:8] in the same bit ordering. MSB bit is Reg0Fh.3 bit. LSB is Reg0Eh.0 bit. TWP is normally controlled by device driver. An internal Byte Counter (TWPBC) is associated with this page register.

**IO Base Page Register: IOB (Reg11h/10h), R/W, default=x000h**

Bit	Symbol	Description
10.7-0, 11.3-0	IOB[11:0]	IO Base Address Register: On-chip register base address register. This address register defines the base page address of all on-chip registers (00h-FFh). Depending on DISMIO bit which defines this page register as an IO Base register or a Memory base register. IOB register is mapped to physical address [19:8] during decoding. IOB is 0000h after Reset, up can reassign new base address by writing new page number to this register.

**Transmit Buffer Read Page Pointer Register: TRP (Reg13h/12h), R/W, default=x000h**

Bit	Symbol	Description
12.7-0, 13.0-3	TRP[11:0]	The Page Index of transmit buffer read pointer: Current transmit read page pointer. MSB bit is Reg13h.3 bit. LSB is Reg12h.0 bit. TRP is controlled by GMAC only. An internal Byte Counter (TRPBC) is associated with this page register.

**Receive Interrupt Timer: RXINTT (Reg15h/14h), R/W**

Bit	Symbol	Description
14.7-0, 15.7-0	RXINTT[7:0], RXINTT[15:8]	Receive Interrupt Timer: Default is 0000h, meaning no timeout is used on RI or REI interrupt assertion. Reg15h.7 is the RXINTT.15 bit, while Reg14h.0 is the RXINTT.0 bit. Any non-zero value enables the time out function if RXINTC[1:0] ( Reg01h.[7:6] ) > 0. The time unit of this counter is 25Mhz, meaning 40ns per count. Possible timeout period ranging from 40ns to 2621 ms. When received packet count has not reached the RXINTC [1:0] before the RXINTT timeout, then an interrupt will be generated caused by the RXINTT timeout alone.

**Receive Buffer Write Page Pointer Register: RWP (Reg17h/16h), R/W, default=x000h**

Bit	Symbol	Description
16.7-0, 17.0-3	RWP[11:0]	Receive Buffer Write Page Pointer: Current receive write page pointer. MSB bit is Reg17h.3 bit. LSB is Reg16h.0 bit. This register is controlled by GMAC only. An internal Byte Counter (RWPBC) is associated with this page register.

**Receive Buffer Read Page Pointer Register: RRP ( Reg19h/18h), R/W, default=000h**

Bit	Symbol	Description
18.7-0, 19.0-3	RRP[11:0]	Receive Buffer Read Page Pointer: MAC current receive read page pointer. RRP[11:0] is mapped to MA[19:8]. MSB bit is Reg19h.3 bit. LSB is Reg18h.0 bit. This register is normally controlled by device driver. An internal byte Counter (RRPBC) is associated with this page register.

**64K Memory Bank Address : Reg19h (R/W), default=0h**

Bit	Symbol	Description
19.7-4	Reserved	

**RX High Boundary Page Pointer Register: RHBP ( Reg1Bh/1Ah), R/W, default=x000h**

Bit	Symbol	Description
1A.7-0, 1B.0-3	RHBP[11:0]	Receive High Boundary Page Pointer : RX packet buffer is defined as between RHBP [11:0] and BP[11:0]. MSB bit is Reg1Bh.3 bit. LSB is Reg1Ah.0 bit.

**EEPROM Interface Register: Reg1Ch, R/W, default=00h**

Bit	Symbol	Description
1C.0	EECS*	Chip select output to external EEPROM clock device
1C.1	EECK*	Serial clock output to external EEPROM clock device, <1MHz
1C.2	EEDI*	Serial data input to external EEPROM clock device
1C.3	EEDO*	Serial data output from external EEPROM clock device
1C.4	EESEL*	Set to enable external EEPROM write operation, default 0 is read.
1C.5	EELD*	Set to enable reloading the entire content of EEPROM just like power-on reset or hardware reset. When loading is done, this bit will be set by GMAC automatically.

**Reserved ( Reg 1Dh ), default=00h**

Bit	Symbol	Description
Reserved		Must be 00h

**Reserved (Reg1Fh/1Eh), R/W, default=0000h**

Bit	Symbol	Description
1E.7-0, 1F.7-0	reserved	



**Network Address Registers : Reg20h~25h (R/W), 26h~2Dh (R/W), default=00h**

Bit	Symbol	Description
20.[7:0]	PAR0	Physical Address Byte 0: PAR[7:0]
21.[7:0]	PAR1	Physical Address Byte 1: PAR[15:8]
22.[7:0]	PAR2	Physical Address Byte 2 : PAR[23:16]
23.[7:0]	PAR3	Physical Address Byte 3 : PAR[31:24]
24.[7:0]	PAR4	Physical Address Byte 4 : PAR[39:32]
25.[7:0]	PAR5	Physical Address Byte 5 : PAR[47:40]
26.[7:0]	MAR0	Hash Table Register Byte 0 : MAR[7:0]
27.[7:0]	MAR1	Hash Table Register Byte 1 : MAR[15:8]
28.[7:0]	MAR2	Hash Table Register Byte 2 : MAR[23:16]
29.[7:0]	MAR3	Hash Table Register Byte 3 : MAR[31:24]
2A.[7:0]	MAR4	Hash Table Register Byte 4 : MAR[39:32]
2B.[7:0]	MAR5	Hash Table Register Byte 5 : MAR[47:40]
2C.[7:0]	MAR6	Hash Table Register Byte 6 : MAR[56:48]
2D.[7:0]	MAR7	Hash Table Register Byte 7 : MAR[63:57]

**Transceiver Control Register : ANALOG (Reg 2Eh), R/W, default=07h**

Bit	Symbol	Description
2E.0	DS120	Must be 1 for NORMAL mode with auto-compensation.
2E.1	DS130	Must be 1 for NORMAL mode with auto-compensation
2E.2	PWD10B	Set for NORMAL mode, write 0 followed by write 1 will power down 10 Base-T analog circuit.
2E.3	PWD100	Reset for NORMAL mode, write 1 followed by write 0 will power down 100 Base-T analog circuit.
2E.4	RSQ	Reduced SQuelch Enable : Set to enable the reduced squelch circuit in the 10 Base-T mode for the receive channel. This can help the reception in a long cable application. Default is reset, meaning the normal CAT-5 cable is used.
2E.5	RST100	Reset for NORMAL mode, write 1 followed by write 0 will reset 100 Base-T analog circuit.
2E.6-7	Reserved	must be zero.

**Reserved, default=00h**

Bit	Symbol	Description
2F.7-0	Reserved	

**NWAY Configuration Register : NWAYC (Reg 30h), R/W, default=84h**

Bit	Symbol	Description
30.0	FD	Full Duplex Mode: Set 1 to force the full duplex mode. The default is 0, meaning the half duplex mode.

30.1	PS100/10	Port Select 100/10 bit : Default is 0, meaning the 10 Base-T mode.
30.2	ANE	Autonegotiation Enable: Set to enable the NWAY function. Default is set.
30.[5:3]	ANS[2:0]	Autonegotiation status bits: Read for the NWAY status, write 001 will restart the autonegotiation sequence. The MSB is the Reg30h.5 bit.
30.6	NTTEST	Reserved
30.7	LTE	Link Test Enable : Default is high, meaning the link check is always enabled. Reset forces a good link in the 10 Base-T mode for the testing purpose.

**NWAY Status Register : NWAYS (Reg 31h), RO, default=00h**

Bit	Symbol	Description
31.0	LS10	Physical Link Status of 10 Mbps TP : Set for good link in 10 Base-T.
31.1	LS100	Physical Link Status of 100 Mbps TP : Set for good link in 100 Base-TX.
31.2	LPNWAY	Link Partner Status : 1 to indicate link partner is capable of NWAY support, reset for non-NWAY link partner.
31.3	ANCLPT	Autonegotiation Completion : Set to indicate that a normal NWAY state machine completion. Reset for incomplete.
31.4	100TXF	NWAY 100 TX Full_duplex Mode : Set to indicate NWAY is settle down in 100 TX full duplex mode.
31.5	100TXH	NWAY 100 TX Half_dulpex Mode : Set to indicate NWAY is settle down in 100 Base-T half duplex mode.
31.6	10TXF	NWAY 10 TX Full_duplex Mode : Set to indicate NWAY is settle down in 10 Base-T full duplex mode.
31.7	10TXH	NWAY 10 TX Half_duplex Mode : Set to indicate NWAY is settle down in 10 Base-T half duplex mode.

**GMAC Configuration A Register: GCA (Reg32h), R/W, default=00h**

Bit	Symbol	Description
32.0	BPSCRM	Bypass 100TX Scrambler: Default is 0, meaning enable scrambler during 100TX mode, set to disable scrambler.
32.1	PBW	Packet Buffer Data Width : Default is 0. Meaning packet buffer data width is byte wide. Set for word (16 bit) wide packet buffer. For 8 bit system bus, the packet buffer bus width must be byte wide.
32.2	SLOWSRAM	Slow SRAM select bit: Default is 0 meaning fast SRAM must be used ( Taa <= 20ns ), if set , then Taa<= 70ns can be used. Slow SRAM will reduce packet through put, therefore, if high speed host is intended, then SRAM should be fast otherwise, FIFO underrun or overrun can happen.
32.3	ARXERRB	Accept RX packet with error : Default is reset to receive packets with error, set to reject packets with error, packet memory will not contain packet with RW, FO, CRC errors.
32.4	reserved	
32.5	AUTOPUB	Auto Page Update option : Set to disable the automatic host page update during the host DMAs. Reset to enable the host page update for the RRP, TWP registers. Default is reset.

32.6	DISMIO	Disable MIO decode: Must is reset which enable MIO decode in x 188 and x186 mode. When MIO decode is enabled, IOB register is defined as IO base address of all on chip registers are mapped to IO space. When MIO decode is disabled, IOB register is defined as register's memory base address.
32.7	reserved	

**GMAC Configuration B Register: GCB (Reg33h), R/W**

Bit	Symbol	Description
33.1-0	TTHD[1:0]	Transmit FIFO Threshold : Default is 00
		TTHD1      TTHD0      FIFO depth      aggressiveness
		0            0            1/2            medium
		0            1            1/4            least
		1            0            3/4            most
1            1            reserved      reserved		
33.3-2	RTHD[1:0]	Receive FIFO Threshold : Default is 00
		RTHD1      RTHD0      FIFO depth      aggressiveness
		0            0            1/2            medium
		0            1            1/4            most
		1            0            3/4            least
1            1            reserved      reserved		
33.5-4	TBLEN[1:0]	Transmit FIFO burst length : Default is 00
		TBLEN1      TBLEN0      Burst Length
		0            0            4
		0            1            8
		1            0            12
1            1            16		
33.7-6	RBLLEN[1:0]	Receive FIFO burst length : Default is 00
		RBLLEN1      RBLLEN0      Burst Length
		0            0            4
		0            1            8
		1            0            12
1            1            16		

**Reserved (Reg34h/35h/36h/37h), R/W**

Bit	Symbol	Description
34.7-0	Reserved	
35.7-0		
36.7-0		
38.8-0		
34.7-0	Reserved	
35.7-0		
36.7-0		
37.7-0		

**Reserved (Reg39h/38h), R/W, default=0000h**

Bit	Symbol	Description
38.7-0	Reserved	
39.7-0	Reserved	

**Reserved (Reg3Ah), default=00h**

Bit	Symbol	Description
3A.7-0	Reserved	

**Link Partner Link Code Register : LPC, Reg3Bh, RO**

Bit	Symbol	Description
3B.0	LPC[0]	Link Partner Link Code A0 : 10 Base-T half duplex ability
3B.1	LPC[1]	Link Partner Link Code A1 : 10 Base-T full duplex ability
3B.2	LPC[2]	Link Partner Link Code A2 : 100 Base-TX half duplex ability
3B.3	LPC[3]	Link Partner Link Code A3 : 100 Base-TX full duplex ability
3B.4	LPC[4]	Link Partner Link Code A4 : 100 Base-T4 ability
3B.5	LPC[5]	Link Partner Link Code RF bit : Remote Fault bit
3B.6	LPC[6]	Link Partner Link Code Ack bit : Acknowledge bit
3B.7	LPC[7]	Link Partner Link Code NP bit : Next Page bit

**TX/RX DMA Status Register: Reg3Ch, R/W, default=00h**

Bit	Symbol	Description
3C.7-4	TXDMA[3:0]*	TX DMA State Indicators : For internal diagnostic purpose indicating TX DMA's current status.
3C.3-0	RXDMA[3:0]*	RX DMA State Indicators : For internal diagnostic purpose indicating RX DMA's current status.

TXDMA[3:0]	State Description
1h	Idle
2h	Read TX Description
4h	Transmit Current Packet
8h	Write TX Description

RXDMA[3:0]	State Description
1h	Idle
2h	Receive Current Packet
4h	Write TX Description
8h	Run Frame/Reset RX FIFO

**MISC Control Register : MISC1, Reg3Dh, R/W, default=3Ch**

Bit	Symbol	Description
3D.0	reserved	reserved
3D.1	DISLDMA*	Disable Local DMA arbitration : Default is 0 after reset, meaning local DMAs are enabled in the SRAM bus arbitration. Set to disable the local DMA arbitration only when the Reg02h.0 TEST bit is also set. It is used to force the overrun or the underrun error for the test purpose.
3D.2	TPF	10 Base-T Port Full Duplex capability bit in the linkcode word : Default is set to enable advertising the 10 Base-T Full duplex capability. Reset to disable advertising this capability in the outgoing NWAY's linkcode word.
3D.3	TPH	10 Base-T Port Half Duplex capability bit in the linkcode word : Default is set to enable advertising the 10 Base-T Half duplex capability. Reset to disable advertising this capability in the outgoing NWAY's linkcode word.
3D.4	TXF	100 Base-TX Full Duplex capability bit in the linkcode word : Default is set to enable advertising the 100 Base-TX Full duplex capability. Reset to disable advertising this capability in the outgoing NWAY's linkcode word.
3D.5	TXH	100 Base-TX Half Duplex capability bit in the linkcode word ; Default is set to enable advertising the 100 Base-TX Half duplex capability. Reset to disable advertising this capability in the outgoing NWAY's linkcode word.
3D.6	TXFIFORST	TX FIFO Reset control : Writing a 1 to this bit will clear the TX FIFO, reset all the current TX FIFO's internal pointers and related byte counters and bring the TX DMA back to the idle state.
3D.7	RXFIFORST	RX FIFO Reset control : Writing a 1 to this bit will clear the RX FIFO, reset all the current RX FIFO's internal pointers and related byte counters and bring the RX DMA back to the idle state.

**TX FIFO Byte Counter (Direct FIFO Mode) : TXFIFOCNT, Reg3F/3Eh, R/W**

Bit	Symbol	Description
3E.7-0	TXFIFOCNT[7:0]	TX FIFO Send Byte Count bit [7:0]: Together with TXFIFOCNT[11:8] forms a 12 bits TX FIFO byte count for direct FIFO mode.
3F.3-0	TXFIFOCNT[11:8]	TX FIFO Send Byte Count bit [11:8]: Together with TXFIFOCNT[7:0] forms a 12 bits TX FIFO byte count for direct FIFO mode.

**Reserved ( Reg 40h-43h ), RO**

Bit	Symbol	Description
Reserved		Register 40h[7:0] to register43h[7:0] are all reserved.

**ID1 (Reg45h/44h), RO, default="MX"**

Bit	Symbol	Description
44.7-0, 45.7-0	ID1[15:0]	ID1 16 bit code : Reg45h is MSB byte is set to "M", Reg44h is LSB byte is set to "X".

**ID2 (Reg46h/47h), RO, default="0001"**

Bit	Symbol	Description
46.7-0, 47.7-0	ID2[15:0]	ID2 16 bit code : Reg47h is MSB byte is set to 00h, Reg46h is LSB byte is set to 01h.

**Write TX FIFO Data Port: WRTXFIFOD (Reg48h), WO**

Bit	Symbol	Description
48.7-0,	WRTXFIFOD[7:0]	Write TX FIFO Data Port: Data written to this port is directly forward to TX FIFO, GMAC will keep track of total bytes written to FIFO. ST1,ST0 should be in IDLE state when a packet is started to be written through this port. Don't mix the write to this port with TX DMA start command, this may inter-mix data coming from this port and TX local DMA from packet memory.
49.7-0,	Reserved	
4A.7-0	Reserved	
4B.7-0	Reserved	

**IO Read Data Port: Register : Reserved, RO**

Bit	Symbol	Description
4C.7-0,	Reserved	
4D.7-0	Reserved	
4E.7-0	Reserved	
4F.7-0	Reserved	

**MISC Control Register 2 : MISC2, Reg50h, R/W, default=00h.**

Bit	Symbol	Description
50.0	Reserved	
50.1	Reserved	
50.2	RUNTSIZE	Runt Frame Size Select bit : Default is 0, meaning the runt frame is defined as less than 64 bytes. Set to define the runt frame as less than 60 bytes.
50.3	Reserved	
50.4	Reserved	
50.5	Reserved	
50.6	Reserved	
50.7	AUTORCVR	Auto RX Full Recovery: Default is reset meaning when RX buffer full and RX FIFO overflow happen at the same time, GMAC will stop receiving until host clear up RX FIFO and RX full condition. Set to enable GMAC to recover from such error automatically, the last packet with such error will be discarded in the packet memory and RX FIFO will be cleared at the end of current receiving, and then receiving is resumed for next packet.

**Host Receive Packet Counter : Reserved, RO**

Bit	Symbol
52.7-0	Reserved
53.7-0	Reserved

**Host DMA Fragment Counter : Reserved, RW**

Bit	Symbol
54.7-0	Reserved
55.7-0	Reserved
56.7-0	Reserved

**4.0 Host Communication**

GMAC and the device driver communicate through three data structures :

- \* On chip registers described in Chapter 3.
- \* Descriptor and data buffer resides in packet memory.
- \* Direct IO port to on chip TX FIFO for direct packet transmission.

GMAC moves received data frames to the receive buffer in the local packet memory and transmits data from the transmit buffers in the local packet memory. All the page pointers in the registers together with the descriptors acts as pointers to these buffers in the packet memory. Figure 4.0 depict the general data structure of packet memory and page pointers.

There are two data buffers inside the packet memory, i.e. transmit buffer and receive buffer. Packet memory is partitioned into pages, each page contains exactly 256 bytes. A page pointer defined by registers acts as the base address of the corresponding page. By programming these page pointers, size and area of transmit buffer and receive buffer can be individually set to desirable size and area.

The transmit and receive buffers must be contiguous and separated by the BP ( Boundary Page pointer ) defined in registers 0Ah and 0Bh. TLBP ( Transmit Low Boundary Pointer ) defines the start page of the transmit buffer. BP- 1 defines the end page of the transmit buffer. If the current transmit process exceeds the end

of BP- 1 page then it will be set to the start page pointed by TLBP, thus forms a "ring buffer" that logically links the end page back to the start page of transmit buffer.

Receive buffer has a similar structure as transmit buffer. The start page of receive buffer is pointed to by BP while the end page is pointed to by RHBP ( Receive High Boundary Page Pointer ). If current receive process exceeds the end of the end page pointed by RHBP, then it will be set to the start page pointed by BP, thus forms a "ring buffer" that logically links the end page and the start page of receive buffer.

A 1.6K bytes TX FIFO can also be used to send out a packet directly from FIFO. Register port 48h can be used by host to write packet data directly into TX FIFO. After moving the last byte into the TX FIFO of a packet, host can issue a command (called TX FIFO send command) to send out the packet stored in the TX FIFO. This function can be used alternately with the other transmission that uses TX buffer ring.

All incoming and outgoing packets are stored in these buffers. Long packet may occupy multiple pages that are logically contiguous. The descriptor is located at the beginning of the first page of this multiple-page packet. Normally there might be some free space left in the last page of this multiple-page packet which is called fragment. These fragment will not affect network packet's data integrity.

**Descriptor structure**

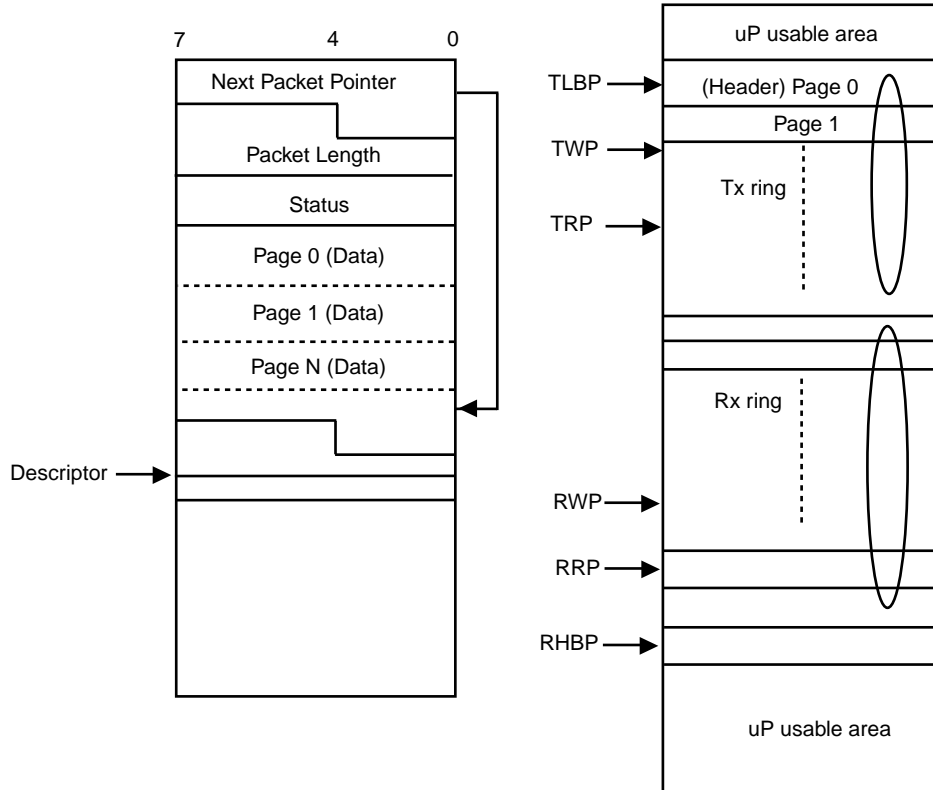


Figure 4.0 Packet Buffer Data Structures



## 4.1 Packet Transmission

GMAC supports two ways to prepare packet(s) for transmission, one way is the host can write a packet directly into TX FIFO through an IO port and send the packet directly from FIFO, this way is called direct FIFO mode. The other way is to write packet(s) into TX buffer ring in the packet memory and activate TX local DMA to send out packet(s). Using direct FIFO mode can eliminate TX local DMA completely which will leave packet memory's total bandwidth to RX local DMA and host. Therefore, receiving at the full line speed is more achievable in this way. The disadvantage is that only one packet is prepared and sent out at a time, next packet must wait until current packet is sent out and FIFO is empty before it can be moved into TX FIFO. In another word, you can not issue multiple packet transmission with a single command. But you still can prepare new packet(s) in TX buffer ring while a packet in direct FIFO mode is still active, so once the packet in direct FIFO mode is finished, you can active TX DMA right away.

The TX local DMA mode is used between GMAC and packet memory during transmission of packet. TRP ( Transmit Read Page pointer ) is used by local DMA to fetch the first page of the desired packet in the packet memory. When GMAC receive a TX DMA send command ( register 00h.ST1=0, ST0=1 ), data in the packet memory will be moved into GMAC's transmit FIFO. GMAC will append preamble, sync and CRC field during the actual transmission. The advantage of this mode is multiple packets can be processed with a single command, also new packet(s) can be prepared while TX local DMA is active. Therefore, potential higher through-put of TX channel can be achieved. The disadvantage is packet memory bandwidth is now shared by host, TX channel and RX channel. This means bandwidth might not be enough for all three to run at their full speed which may result in TX FIFO underrun, or RX FIFO overrun and slow host accesses, especially in a system where you only have a 8 bit packet memory.

It may be desirable to mix both direct FIFO mode and TX local DMA mode so that bandwidth of packet memory and convenience of concurrent processing of multiple packets can be compromised for the best interest of the system's performance. Some cautions should be taken when you using mixed mode. Do not write to FIFO while TX local DMA is active, because such write will corrupt whatever packet being transmitted in the FIFO. Do not activate TX local DMA while direct FIFO send has not

been finished for current packet's transmission. Register 00h.ST1 and ST0 bits are both command and status, before host issues any packet send command. Always read these two bits and make sure they are both 0 which indicate a transmit channel IDLE ( FIFO is also empty ). The rule of the mixed modes is always activate one mode at a time, ST1 and ST0 must be both 0 before the other mode is used.

### Prior to transmission in direct FIFO mode

When ST1 and ST0 bits are both 0, host can write a packet no longer than 1518 bytes through IO port register 48h. GMAC will record the byte count. Since register 48h is write only port, it can not be read. Before the entire packet is completely inside FIFO, host can do other operations except activating TX local DMA. Issuing TX local DMA before current direct FIFO write operations or TX FIFO send completion will "corrupt" current packet inside TX FIFO. When the entire packet is in the FIFO, host can issue ST1=1 and ST0=0 ( TX FIFO send command ). When this packet is sent out completely, transmit status will be recorded in register 04h and both ST1 and ST0 are cleared to 0 to indicate IDLE state.

### Prior to transmission in TX local DMA mode

The transmit descriptor located at the beginning of the first page of the desired packet in the packet memory must be properly set by device driver prior to a transmit command. By using TWP ( Transmit Write Page Pointer ), device driver can fill up packet(s) in the transmit buffer ring. For single packet transmission, the Next Packet Page Pointer field should be equal to TRP page pointer which links to the current packet itself. If multiple packets are to be transmitted, then Next Packet Page Pointer field of transmit descriptor should be set to the start page of next packet. Current Packet Length ( in byte ) is set to indicate the size of current packet. Transmit Status bit 7 ( OWN bit ) of the descriptor needed to be set to 1 to indicate that device driver has finished preparing the current packet. Then the packet can be transferred to GMAC for transmission. At this point, transmit command can be issued by setting Reg00h.ST1=0, ST0=1 ( TX DMA poll command ) to activate transmit operation. ST1 and ST0 bits will be cleared to 0 when transmission is done.

During the process of filling up packet(s) in the transmit buffer ring, current write address to TX buffer ring is mapped directly from uP's address lines during uP write to packet buffer. TWP is updated by driver only and TWP is used to be checked against TRP,BP,TLBP by both GMAC and driver to maintain TX buffer ring's integrity.

Packets between TRP and TWP will be transmitted by GMAC if TX DMA poll command is issued. TWP serves as the start page of non-ready packet(s) which is still being prepared by driver.

### Condition required to begin transmission

1. Register 00h.ST1=0 and Reg00h.ST0=1 for TX local DMA mode or register 00h.ST1=1 and ST0=0 in direct FIFO mode
2. The interframe gap timer has timed out.
3. TX FIFO is filled with a complete packet or is full.
4. If a collision has been detected and backoff timer has expired.

After packet is started to go out to network, TTHD[1:0] will begin to affect packet memory's arbitration if FIFO needs more data from packet memory. ( TTHD is not used in direct FIFO mode ) In the TX local DMA mode, the advantage of smaller threshold is to reduce the risk of a potential transmit FIFO underrun error. Such underrun error occurs when data in FIFO is exhausted by transmit while local DMA still has not filled in more data to be transmitted. Since TX FIFO is large enough for the largest normal packet ( 1518 bytes ), therefore, the TTHD and FIFO underrun applied to packets larger than 1518 bytes in the TX local DMA mode. The larger the TTHD, the less aggressive the TX DMA in packet memory arbitration, therefore host and RX DMA may have more bandwidth in packet memory.

When this underrun occurs, packet will be aborted and interrupt will be asserted to get host's attention. FIFOEI ( register 09h bit 5 ) interrupt bit will be set when underrun occurs and interrupt to host is asserted if FIFOEIM bit (register 08h bit 5 ) is also set.

Another option that can be used to fine tune the performance of the transmit channel in the TX local DMA mode is the transmit FIFO burst length TBLEN[1:0] bits ( register 33h bit [5:4] ). It can be used to fetch data from transmit buffer ring into transmit FIFO in the burst manner which is more efficient. Default burst length is 4 bytes

per burst transfer. Again, if burst length is long then it will take more time per burst transfer and this may affect the receive DMA operation and host's access to packet memory. So both TTHD and TBLEN should be tuned to improve the target system for best throughput in TX local DMA mode.

### Collision recovery

During transmission, if a collision is detected before the first 64 bytes of packet has been transmitted, the FIFO will restore the necessary FIFO pointers to retransmit the same packet without fetching the transmitted data from packet memory. An out-of-window collision is a collision occurred after 64 bytes of data transmitted. If out-of-window collision occurred, packet will be aborted with interrupt asserted. OWC bit of transmit descriptor is set and device driver needs to resolve such situation and reissue a transmit command so that GMAC can fetch the entire packet from packet memory again for retransmission.

Collision count will be recorded for the current packet in register 04h.CC[3:0] bits. If 15 retransmission each result in a collision, the transmission is aborted and collision count CC[3:0]=1111 and an interrupt will be asserted and TEI interrupt bit is set to indicate such an excessive collision error. If TI interrupt bit is set, then packet is successfully transmitted with collision count=CC[3:0].

### After single packet transmission

When a packet(s) transmission is completed, register 00h.ST1 and ST0 are both cleared to 0 automatically by GMAC. Whenever the first packet is sent out, interrupt is asserted for host's attention. Device driver can process this packet's status. In TX local DMA mode, first thing to check is making sure the OWN in the status field bit 7 is 0 which indicates that GMAC has completed the transmission of this packet and the status is valid. Or in direct FIFO mode, check ST1 and ST0 for both 0 which indicates completion of previous transmission. At this point, device driver can proceed with transmit status and other book keeping tasks.

For successful transmission, interrupt is caused by interrupt register bit TI ( bit 2 of register 09h ) of interrupt register IR, provided that the corresponding enable bit TIM ( bit 2 of register 08h ) of interrupt enable register IMR is set. In case that an error occurred during the transmission, Interrupt register bit TEI will be set instead of

TI. Register 09h bit 4 ( TEIM ) is the interrupt enable bit for TEI. Set TEIM will enable TEI interrupt. Transmission error can be read from register 04h ( LTPS register ) which records the transmit status of the last packet transmitted. If bit 7 ( TERR ) of register 04h is set then TEI will be set as well. TERR is a logical OR of underrun error( UF bit ). out-of-window collision error ( OWC bit ), carrier lost error ( CRSLOST bit ) and excessive collision error ( CC[3:0]=1111 and TEI = 1).

**Multiple packets transmission ( TX local DMA mode only )**

If more packets are prepared in the packet memory and all transmit descriptors are set properly ( i.e. next packet page pointer, packet length, OWN bit = 1) then a transmit command can send out all these packets in a row. As soon as the first packet transmission is done, interrupt will be asserted to get host's attention. Device driver can serve this interrupt call by processing all the packets that have OWN bit equals to zero in this multiple packets list in packet memory. Device driver can "peek" the OWN bit of next packet's descriptor to see if there are more packet(s) transmitted completely at that point. If OWN bit of next packet's descriptor is zero, then device driver can proceed to next packet after finishing the current packet. When all packets are transmitted successfully or aborted, register 00h. ST1 and ST0 bits are internally reset. This way, packets can be send out in a burst with single transmit command.

**Transmit packet assembly format in packet memory**

**For 16 bit SRAM interface :**

D15	D8	D7	D0
Descriptor Byte 1		Descriptor Byte 0	
Descriptor Byte 3		Descriptor Byte 2	
Destination Address Byte 1		Destination Address Byte 0	
Destination Address Byte 3		Destination Address Byte 2	
Destination Address Byte 5		Destination Address Byte 4	
Source Address Byte 1		Source Address Byte 0	
Source Address Byte 3		Source Address Byte 2	
Source Address Byte 5		Source Address Byte 4	
Type/Length byte 1		Type/Length byte 0	
Data byte 1		Data byte 0	

**For 8 bit SRAM interface :**

D7	D0
Descriptor Byte 0	
Descriptor Byte 1	
Descriptor Byte 2	
Descriptor Byte 3	
Destination Address Byte 0	
Destination Address Byte 1	
Destination Address Byte 2	
Destination Address Byte 3	
Destination Address Byte 4	
Destination Address Byte 5	
Source Address Byte 0	
Source Address Byte 1	
Source Address Byte 2	
Source Address Byte 3	
Source Address Byte 4	
Source Address Byte 5	
Type/Length byte 0	
Type/Length byte 1	
Data byte 0	

**Transmit descriptor format**

Bit	Symbol	Description
0	CC0	Collision Count Bit 0 :
1	CC1	Collision Count Bit 1 :
2	CC2	Collision Count Bit 2 :
3	CC3	Collision Count Bit 3 : when CC[3:0] = 1111 and TEI interrupt bit is set, , then it is called excessive collision error which will abort the current packet. If TI interrupt bit is set, then CC[3:0] is the collision count and packet is transmitted successfully.
4	CRSLOST	Carrier Sense Lost : Network carrier signal was lost at some point during the transmission or lost during entire duration or transmission.
5	UF	TX FIFO underflow : TX FIFO is exhausted before TX DMA fill in more data for transmission.
6	OWC	Out of Window Collision : A collision occured after 64 bytes of data had been transmitted. This packet will be aborted.
7	OWN	Packet Buffer ownership indicator: 1: indicate GMAC has access right to current packet's buffer 0: indicate host has access right to current packet's buffer

There are 4 bytes in a descriptor structure for both transmit and receive packet. Transmit descriptor is prepared by device driver before transmitting the packet. The transmit descriptor format is defined as follows :

bit 7	bit 0
Next Packet Page Pointer ( bit 7-4 )	Next Packet Page Pointer ( bit 3-0 )
Packet Length ( bit 3-0 )	Next Packet Page Pointer( bit 11-8 )
Packet Length ( bit 11-8 )	Packet Length ( bit 7-4 )
Transmit Status ( bit 7-4 )	Transmit Status ( bit 3-0 )

## 4.2 Packet Reception

The local DMA receive channel uses a receive buffer ring structure comprised of a series of contiguous fixed length 256-byte ( 128 word ) buffers for storage of received packets. The location of this receive buffer ring is programmed in two page pointers, a Boundary Page pointer and a Receive High Boundary Page pointer. Ethernet packets consist of a distribution of shorter link control packets and longer data packets, the 256-bytes buffer length provides a good compromise between different packet sizes to best utilizing the memory. Receive buffer ring provides storage for back-to-back packets in a loaded networks. The assignment of buffers for storing packets in managed by GMAC's receive DMA logic. Three basic functions are provided by the receive DMA logic : linking receive buffers for long packets, recovery of buffers when a packet is rejected and recirculation of buffer pages that has been read by the host.

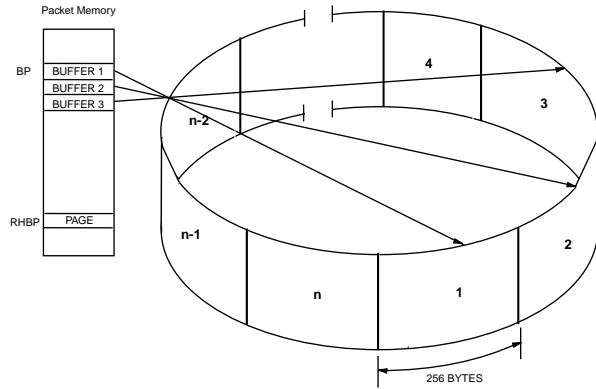


Figure 4.2.1 GMAC Receive Buffer Ring

### Initialization of receive buffer ring

Two static page pointer and two working page pointers control the operation of the receive buffer ring . These are Boundary Page ( BP ) pointer, Receive High Boundary Page ( RHBP ) pointer, the Receive Read Page ( RRP ) pointer and Receive Write Page ( RWP ) pointer. BP register points to the first buffer ( page ) of the receive buffer ring. RHBP points to the last page of receive buffer ring. RWP register points to the page in which receive DMA logic is storing incoming network data. RRP register points to the page from which host will read next network data. A receive descriptor structure is located at the beginning of the start page of a received packet. If GMAC ever reach the page pointed by RHBP register, it will link the page pointed by BP register as next page, thus forms a “ring” buffer structure.

The size of receive buffer ring is the total buffer space between BP and RHBP register. An internal 8 bit byte counter accounts for MA[7:0] will be used with RWP register to form a physical memory address during receive DMA write operation. This internal 8 bit counter will tracks the actual location within a page. After GMAC is initialized, BP, RWP and RRP should all points to the same page. These registers must be properly initialized before setting NCRA's ( register 00h ) SR ( bit 3 ) bit to one which enables the receive channel for DMA function.

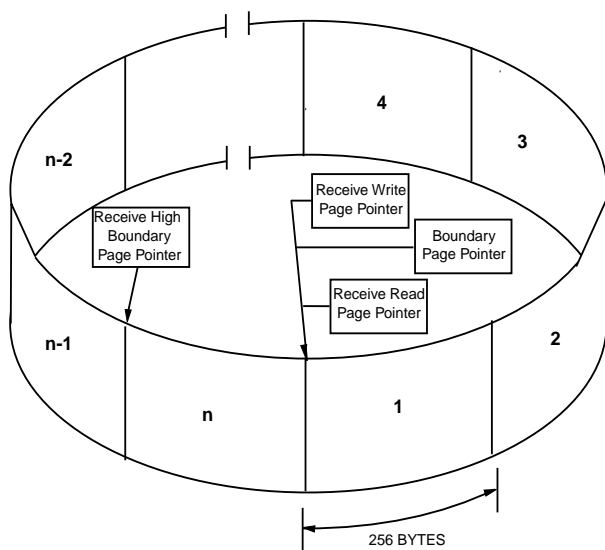


Figure 4.2.2 GMAC Receive Buffer Ring at Initialization

### Beginning of reception

After all four page pointers are properly set by device driver ( host ), register bit NCRA.SR bit can be set to enable reception of packets. When the first packet begins arriving the GMAC begins storing packet at the location pointed to by the RWP register. An offset of 4 bytes ( descriptor ) is saved in this first page to store receive status corresponding to this packet. Whenever internal byte counter reaches FFh indicating end of a page, RWP will be incremented by 1 automatically if more data is arriving for this packet.

The incoming network address is examined by GMAC to determine whether to accept or reject. If GMAC decided to reject the packet, then receive FIFO will be restored and so is the buffer used. If packet should be accepted and FIFO contains data up to a threshold level which can be programmed by RTHD[1:0] ( register 33h bit [3:2] ). The smaller the threshold, the earlier the receive DMA logic removing data from FIFO, thus may has lower risk in running into a FIFO overflow situation. The disadvantage of a smaller threshold is that host and transmit channel may be less efficient. So threshold should be chosen to tune for best network throughput. Default value of receive FIFO threshold is 00 meaning 50% of the FIFO is filled up before any receive local DMA can start removing data out of FIFO. The other related option regarding the receive DMA logic is the receive FIFO burst length which enable GMAC to move data out of FIFO in a burst manner which is more efficient in terms of bus bandwidth. These receive FIFO burst length is RBLN[1:0] in register 33h bit [7:6]. Default is 00 meaning 4 bytes per burst transfer.

### Linking receive buffer pages

If packet length exhausts the first 256-bytes buffer, receive DMA logic will performs a forward link to the next buffer to store the remainder of the packet. A maximum length packet , up to 6 buffers can be linked together. Buffers can not be skipped when linking, therefore a packet will always be stored in contiguous buffers. Before the next page can be linked, receive DMA logic does two comparisons.

The first comparison tests the equality between content of RWP register + 1 and content of RRP register. If equal, the reception is aborted. This is called receive buffer full error. Second comparison tests the equality between RWP register and RHBP register. If equal, the receive DMA will restore RWP to the first buffer in the receive buffer ring pointed by BP register if receive buffer ring is not full.

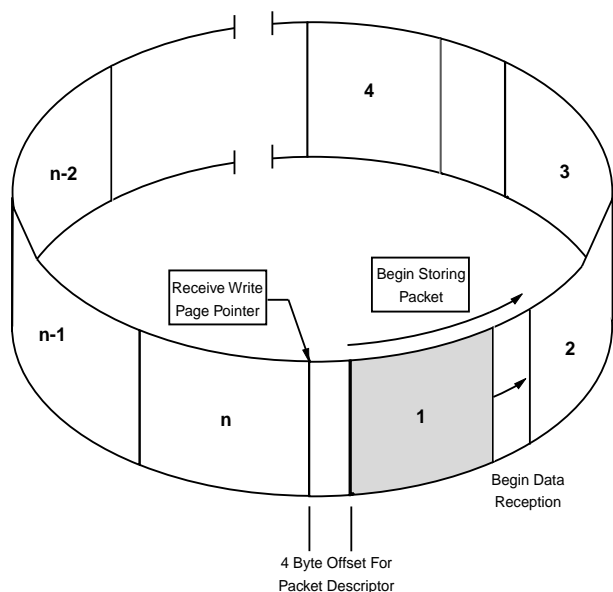


Figure 4.2.3 Received Packet Enters the Receive Buffer Pages

### Receive buffer ring full

In a heavily loaded network which cause overflows of the receive buffer ring, GMAC may disable receive DMA logic and suspend further receptions. When current page is exhausted and more data needed to be stored for current packet, if  $RWP + 1 = RRP$  then receive buffer is full.

GMAC will do the following actions :

1. Close current received packet with FO bit ( bit 3 ) and BF bit ( bit 0 ) of receive descriptor being set if a minimum of one page is used by this packet.
2. An interrupt may be asserted and RBF1 ( register 09h bit 7 ) interrupt bit is set provided RBFIM bit ( register 08h bit 7 ) is also set.

3. All following packets will be lost and MPC ( Miss Packet Counter ,register 07h and 06h , will be incremented automatically. If MPC is overflow, then CNTOFI interrupt bit ( register 09h, bit 0 ) will be set and interrupt can be asserted if CNTOFIM bit ( register 08h, bit 3 ) is also set. MPC can be reset by device driver.

The following procedure is required for device driver to recover from such error situation.

1. Check the TXP bit to determine whether if a transmission is pending when buffer full occurred, if so, save this info. and resume packet transmission only after the receive buffer full situation is resolved by device driver.
2. When no transmit activity, issue the SR=0 ( NCRA register bit 3 ) and ST=0 ( Register NCRA bit 1). GMAC may not immediately enter the stop mode if it is currently processing a packet. When GMAC is in stop mode, 00h can be read from register 3Ch which is the DMA status register.
3. If GMAC is in stop mode, remove all the received packets in the packet memory, then initialize all related page pointers ( RRP, RWP ).
4. Clear all receive related interrupt flags and then set ST and SR to restart transmit and receive operations.

### Successful reception

Based on the network address filtering modes set up by the device driver, GMAC will determine whether to receive a packet or to reject it. It either branches to a routine to store the packet or to another routine to reclaim the buffers used to store packet. If a packet is successfully received, GMAC will store the receive status, packet length and next packet pointer in the receive descriptor located at the beginning of the first page of the packet and status in LRPS ( register 05h ) register. Note that the remaining bytes in the last page are discarded and reception of the next packet begins on the next empty 256-byte page boundary. The RWP is then set by GMAC to the next available page in the buffer ring.

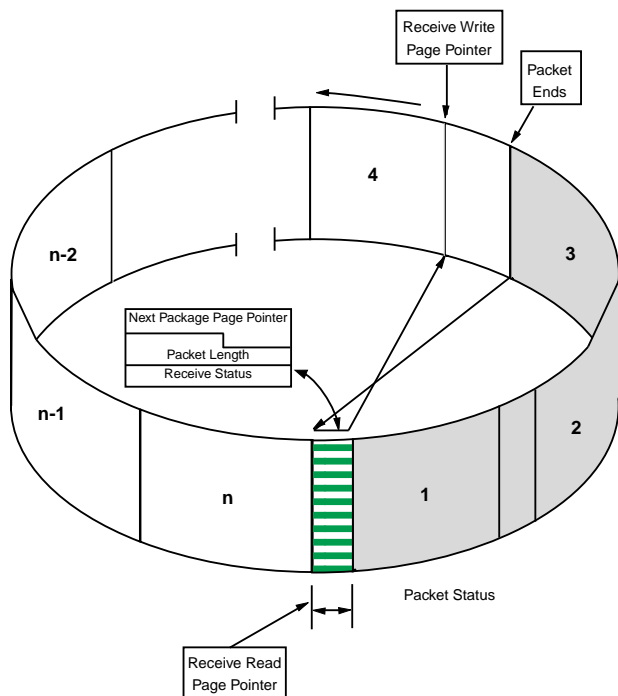


Figure 4.2.4 Termination Of Received Packet-Packet Accepted

### Rejected packets

If the packet is a runt packet and PB bit ( Pass Bad option, register 01h, bit 3 ) is reset then it is rejected. The buffer previously used by this rejected packet is reclaimed by resetting the internal byte counter to zero automatically by GMAC. Packet with at least 64 bytes are always received and stored regardless of CRC error status.

### Removing packets from the buffer ring

Packets are removed from the ring by the host using the direct host DMA. The actual packet memory address during host DMA is mapped directly from uP address lines. i.e. Host has to control all the addresses during the packet buffer accesses directly. By reading the descriptor device driver will know the size of packet and it can move data up to the last page without updating RRP register. The RRP register will be updated by driver only whenever a packet has been removed. Driver must properly update RRP to next available page, especially if RHBP page is exhausted. in this case, next page should be wrapped around to the beginning ( pointed by BP register ) of RX buffer ring.

Host page registers RRP and TWP are maintained by driver only. It is recommended that only when a packet has been removed from RX buffer ring, RRP is then incremented by driver so that GMAC will not overwrite a page which belongs to an unprocessed packet. The following is a suggested method for maintaining the receive buffer ring pointer :

1. At initialization, set up BP= RRP=RWP and RHBP to a higher memory page. At the point, receive buffer is empty.
2. Set a software address counter and byte counter, byte counter's LSB byte is reset. The MSB bits [19:8] of the address counter will start from current RRP register, and keeping track of current page, once a packet is removed, then RRP register is updated to next page location.
3. After a packet is stored in the receive buffer ring, GMAC issue interrupt. Device driver will start moving data beginning from the page pointed by RRP register. Reads the packet length and advanced the address counter as the host DMA goes along. Care should be taken if manual page pointer update is used when RHBP page is exhausted or buffer is full.



**Receive packet assembly format in packet memory**

For 16 bit SRAM interface :

D15	D8	D7	D0
Descriptor Byte 1		Descriptor Byte 0	
Descriptor Byte 3		Descriptor Byte 2	
Destination Address Byte 1		Destination Address Byte 0	
Destination Address Byte 3		Destination Address Byte 2	
Destination Address Byte 5		Destination Address Byte 4	
Source Address Byte 1		Source Address Byte 0	
Source Address Byte 3		Source Address Byte 2	
Source Address Byte 5		Source Address Byte 4	
Type/Length byte 1		Type/Length byte 0	
Data byte 1		Data byte 0	

For 8 bit SRAM interface :

D7	D0
Descriptor Byte 0	
Descriptor Byte 1	
Descriptor Byte 2	
Descriptor Byte 3	
Destination Address Byte 0	
Destination Address Byte 1	
Destination Address Byte 2	
Destination Address Byte 3	
Destination Address Byte 4	
Destination Address Byte 5	
Source Address Byte 0	
Source Address Byte 1	
Source Address Byte 2	
Source Address Byte 3	
Source Address Byte 4	
Source Address Byte 5	
Type/Length byte 0	
Type/Length byte 1	
Data byte 0	

**Receive status in descriptor**

PIN#	Symbol	Description
0	BF	RX Packet Buffer Full Error : 1 indicates RX packet buffer is full.
1	CRC	CRC error : caused by corrupted data or dribble byte (s).
2	FAE	Frame Alignment Error : Dribble nibble (s), FAE error might not cause CRC error (e.g. only a dribble nibble is detected by GMAC). FAE error will not set RERR bit.
3	FO	FIFO overrun
4	RW	Receive Watchdog : Set to indicate the frame length exceeds 2048 bytes.
5	MF	Multicast address : Set to indicate current frame has multicast address.
6	RF	Runt Frame : Set to indicate a frame length less than 64 bytes, only meaningful when Reg00h.4 (PB bit)=1 is set.
7	RERR	Receive Error : a logical OR of CRC, FO, BF, RW, RF bit.

There are 4 bytes in a descriptor structure for both transmit and receive packet. Transmit descriptor is prepared by device driver before transmitting the packet. The transmit descriptor format is defined as follows :

bit 7	bit 0
Next Packet Page Pointer ( bit 7-4 )	Next Packet Page Pointer ( bit 3-0 )
Packet Length ( bit 3-0 )	Next Packet Page Pointer( bit 11-8 )
Packet Length ( bit 11-8 )	Packet Length ( bit 7-4 )
Transmit Status ( bit 7-4 )	Transmit Status ( bit 3-0 )

### 4.3 Packet Structure and 802.3 conformance

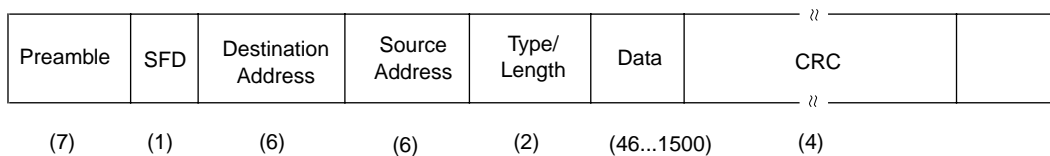
Network speed may be 10 MBPS or 100 MBPS mode. Further more, GMAC supports full duplex mode where transmit and receive process are running independently. A typical Ethernet frame structure is shown below.

#### Ethernet and IEEE 802.3 Frames

An Ethernet frame format consists of the following:

Field	Description
Preamble	A 7-byte field of 56 alternating 1s and 0s, beginning with a 0.
SFD	A 1-byte field that contains the value 10101011; the MSB is transmitted and received first.
Destination	A 6-byte field that contains the specific station address, the broadcast address. or a multicast address where this frame is directed.
Source	A 6-byte field that contains the specific station address where this frame was sent.
Type/Length	A 2-byte field that indicates whether the frame is in IEEE 802.3 format or Ethernet format. A field greater than 1500 is interpreted as a type field, which defines the type of protocol of the frame. A field smaller than or equal to 1500 is interpreted as a length field, which indicates the No. of data bytes in the frame.
Data	A data field consists of 46 to 1500 bytes that is fully transparent. A data field shorter than 46 bytes is allowed, unless padding is disabled (TDES1<23>).
CRC	A frame check sequence is a 32-bit cyclic redundancy check (CRC) value that is computed as a function of the destination address field, source address field, type field and data field. The FCS is appended to each transmitted frame, and used at reception to determine if the receive frame is valid. The figure shows the Ethernet frame format.

#### Ethernet Frame Format



\*Numbers in parentheses indicate field length in bytes.

The CRC polynomial, as specified in the Ethernet specification, is as follows:

$$FCS(X) = X^{31} + X^{26} + X^{23} + X^{22} + X^{16} + X^{12} + X^{11} + X^{10} + X^8 + X^7 + X^5 + X^4 + X^2 + X^1 + 1$$

The 32 bits of the CRC value are placed in the FCS field so that the  $X^{31}$  term is the right-most bit of the first octet, and the  $X^0$  term is the left-most bit of the last octet. The bits of the CRC are thus transmitted in the order  $X^{31}, X^{30}, \dots, X^1, X^0$ .

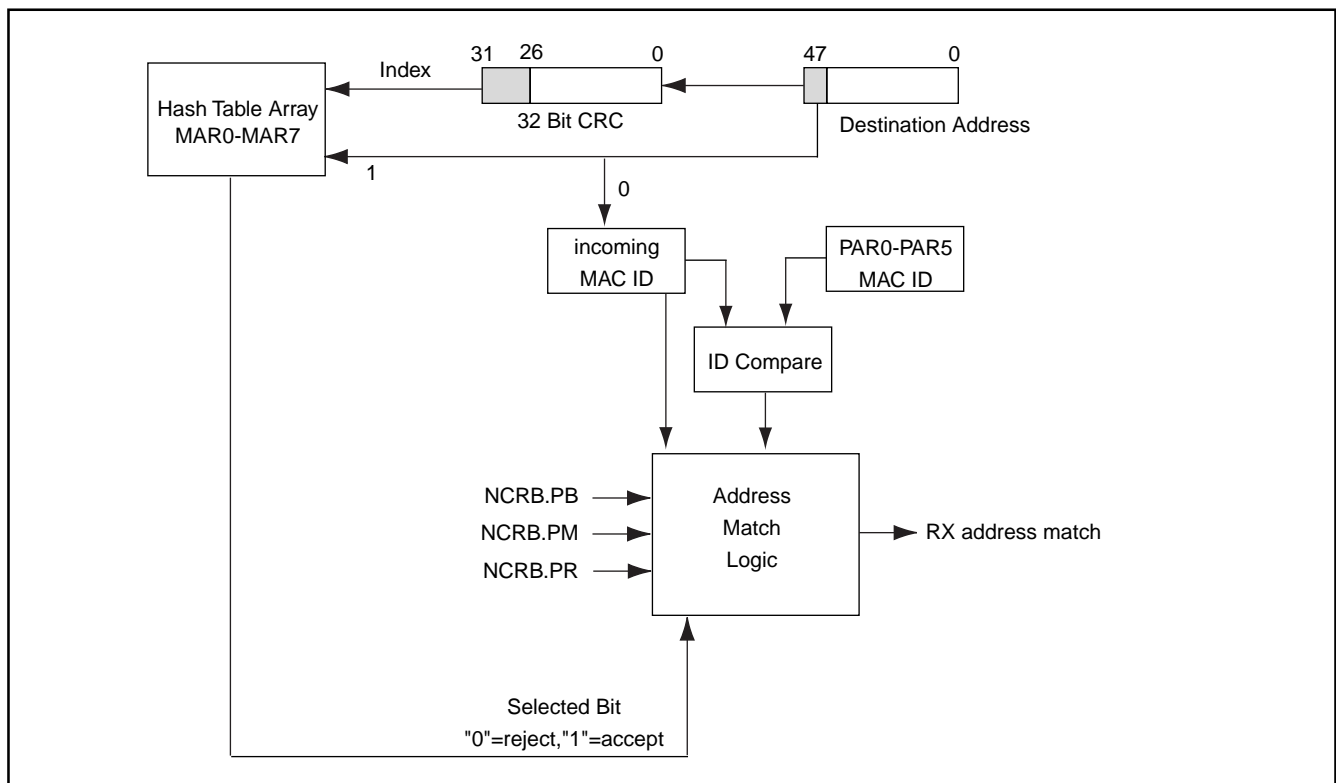
#### 4.4 Network Address Filtering

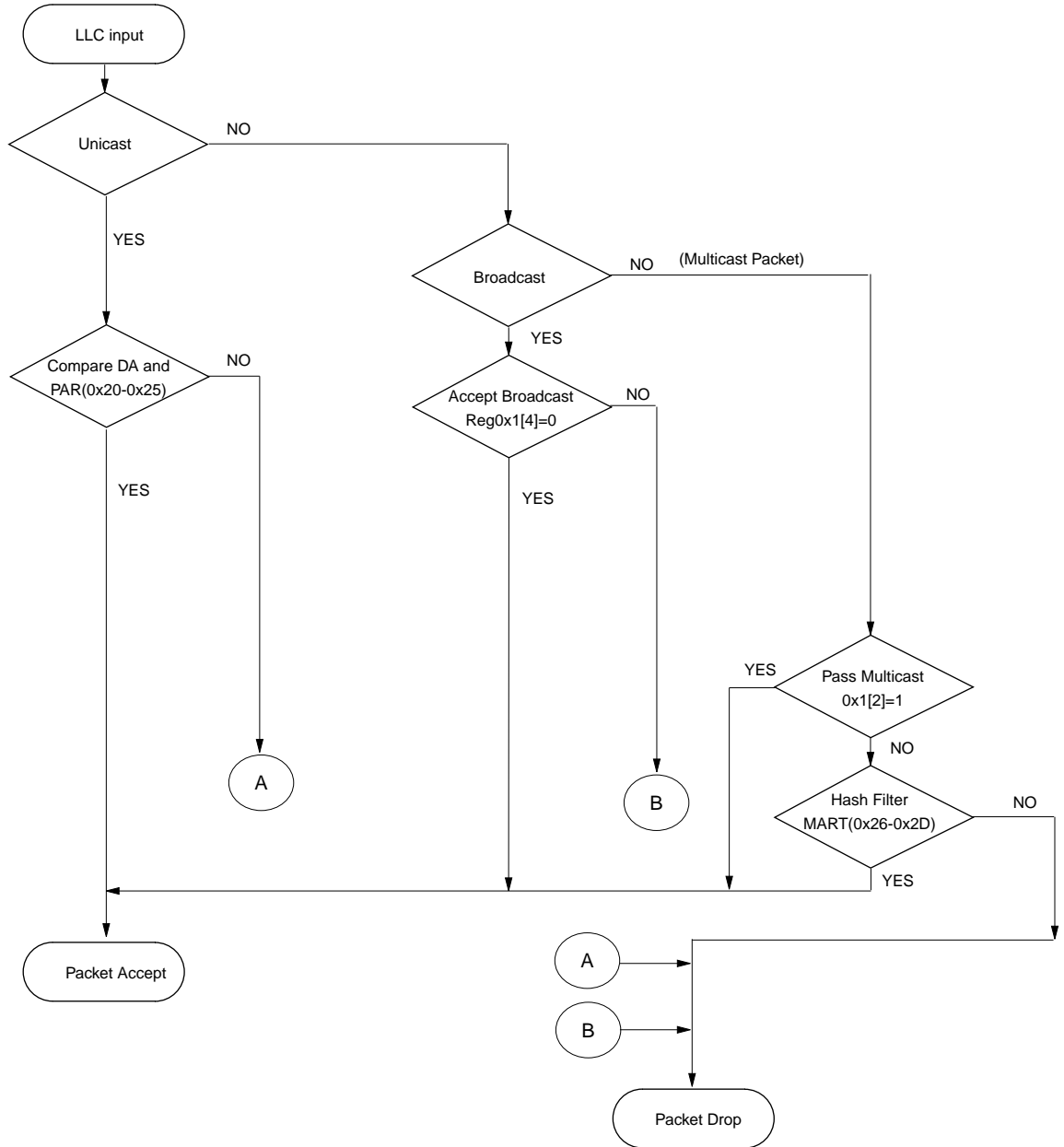
The first bit of the destination address signifies whether it is a physical address or a multicast address. The receive MAC filters the frame based on the address filtering option described below. Register 01h ( NCRB ) bit 0 is PR ( Promiscuous mode ) and bit 2 is PM ( Pass Multicast ) are used to control the desired address filtering options. Possible Address Filtering Options ( all independent of each other options )

option	Description
1	One physical address perfect filtering , always enabled
2	Unlimited multicast addresses imperfect filtering using hash table.
3	Pass all multicast address
4	Promiscuous Ethernet reception, when set, all valid frames are received

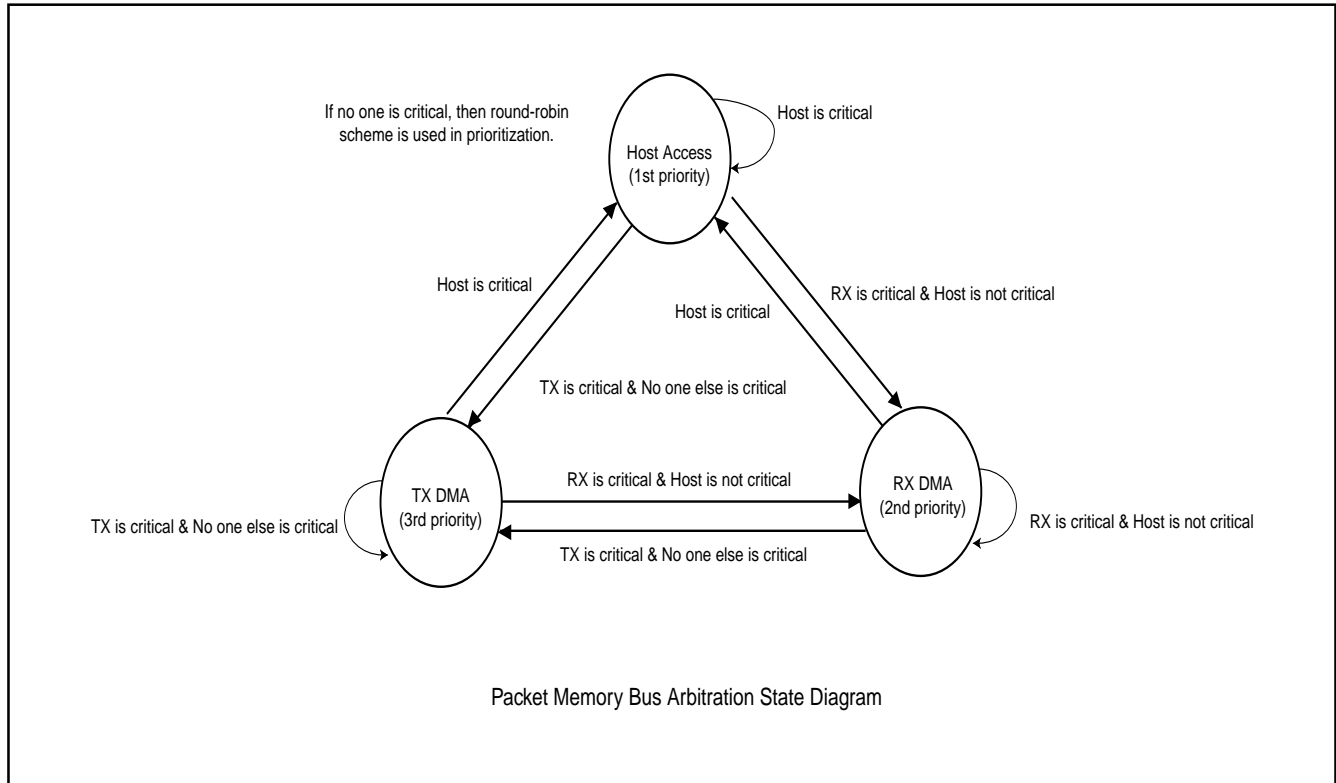
If the frame address passes the network address filter, the receive MAC removes the preamble and delivers the frame to the host processor memory. However, if the address does not pass the filter when mismatch is recognized, the receive MAC terminates this reception.

#### GMAC Network Address Filtering



**GMAC's Network Address Filtering Flow Chart**


### 5.0 Host/Local DMAs and packet memory bus arbitration



#### Rules of packet memory access prioritization

- rule 1: TX local DMA is said to be "critical" if TX FIFO counter fall below TTHD level.  
If TX packet is in "stored and forward" mode (TTHD[1:0]=11), then TX local DMA is never critical.
- rule 2 : RX local DMA is said to be "critical" if RX FIFO counter rise above RTHD level.
- rule 3 : Host access is said to be "critical" if DINTVAL timer is time out.
- rule 4 : If all three accesses are critical, then Host has 1st priority, RX local DMA has 2nd priority and TX local DMA has last priority. If no one is critical, then round-robin is used.

## 5.1 Host DMA

The Host DMA channel is used to both assemble packets for transmission, and to remove received packets from the receive buffer ring. Two registers RRP and TWP are used to control host DMA. The physical address of these DMA are formed by the following rules

For 188/186 modes, HLDA must be 0 during host DMA cycles ( HLDA=0 will disable local DMA temporarily ). Two Page pointers ( RRP, TWP ) are to be maintained by host for all host DMA ( packets accesses ).

### Host Write

Host write to packet memory is used to prepare a packet for transmission. TWP register is used for addressing the page address of the physical buffer. Update of TWP can only be done by driver. HLDA must be low whenever the host DMA is running. SRDY is used to insert wait states so that local DMA will finish at least one on-chip FIFO burst transfer before host can complete current access cycle to packet buffer.

### Host Read

Host read to packet memory is used to remove a packet for receive buffer ring. RRP register is used for addressing the page address of the physical buffer. Update of RRP can only be done by driver. Again, HLDA must be low whenever the host DMA is running. SRDY is used to insert wait states so that local DMA will finish at least one on-chip FIFO burst transfer before host can complete current access cycle to packet buffer.

## 5.2 Local DMA

### Receive FIFO threshold of Receive DMA

Receive FIFO threshold is defined by register 33h bit [3:2] (RTHD[1:0]) is used to control the aggressiveness of receive DMA request in packet memory bus arbitration operation. e.g. default value of RTHD=1/2 the depth of receive FIFO which means whenever the content of FIFO is over 1/2 of FIFO space (it is "critical" since FIFO may soon be full or overrun), when receive FIFO is "critical" then receive DMA will have higher priority over transmit DMA (regardless of whether transmit FIFO is critical or not). If FIFO is not over RTHD level, it is not critical, then transmit DMA may have equal priority

as receive DMA or higher priority over receive DMA if transmit FIFO is critical. The larger the receive threshold, the less aggressive the receive DMA because it takes more time for receive DMA to become critical but it also presents a higher risk to become FIFO full or overrun the FIFO space. The smaller the RTHD, the more aggressive the receive DMA is and less risk in running into a FIFO full condition, but it also blocks other access from host and transmit DMA. Since packet memory bandwidth is shared by host, transmit DMA and receive DMA, "tuning" RTHD threshold may be necessary for a best network/system throughput.

### Receive FIFO burst length of Receive DMA

Receive FIFO burst length is defined by register 33h bit [7:6] (RBLLEN [1:0]) which control the number of data transfers within each and every receive DMA cycle. e.g. default receive burst length is 4 which means there will be exactly 4 bytes (or 4 words) transferred in each receive DMA cycle. The larger the RBLLEN, the more efficient the receive DMA transfer but it also cause transmit DMA and host DMA to wait more time for packet memory bus release for new access. Tuning receive FIFO burst length may be necessary for a best network/system throughput.

### Receive DMA

Receive DMA normally has higher priority over host and transmit DMA. This is due to the receive data can not be reproduced locally, therefore it is more urgent than others. Once receive DMA is granted an access to packet memory, receive DMA conducts a burst write whose length is defined by register 33h bit [7:6] (PBLLEN [1:0]). Only when current receive burst transfer is done, arbitrator will release the packet memory bus to next requester.

The physical address of receive DMA is formed by cascading a page address RWP register and an internal byte counter for receive DMA. RWP [11:0] is mapped to MA[19:8] while the internal byte counter is mapped to MA[7:0]. Thus a 20 bit MA is derived. RWP will be automatically updated by GMAC whenever a page is exhausted. If RHBP is exhausted, GMAC will link BP as the next available page into RWP if the BP page is free, otherwise a receive buffer full error occurs.

### **Transmit FIFO threshold of transmit DMA**

Transmit FIFO threshold is defined by Register 33h bit [1:0] (TTHD [1:0]). TTHD is used to control the aggressiveness of transmit DMA request in packet memory bus arbitration. e.g. default value of TTHD=1/2 the depth of transmit FIFO which means whenever the content of FIFO falls below 1/2 of FIFO space, the transmit DMA will have higher priority over receive DMA (if receive FIFO is not critical). If transmit FIFO is over TTHD level, then transmit may have equal priority as receive DMA or lower priority to receive DMA (if receive FIFO is critical). The larger the TTHD threshold, the less aggressive the transmit DMA because it takes more time for transmit DMA to become critical of running empty. The small TTHD will result in more aggressive transmit DMA but then it is also more critical, i.e. it takes less time to run transmit FIFO to empty ("underrun error"). Since packet memory bandwidth is shared by host, transmit DMA and receive DMA, "tuning" TTHD may be necessary for a best network/system throughput.

### **Transmit FIFO burst length of transmit DMA**

Transmit FIFO burst length is defined by register 33h bit [5:4] (TBLEN [1:0]) which control the number of data transfers within each transmit DMA cycle. e.g. default transmit burst length is 4 which means there will be exactly 4 bytes (or 4 words) transferred in each transmit DMA cycle. The larger the TBLEN, the more efficient the transmit DMA cycle but it also cause transmit DMA and host DMA to wait more time for a packet memory bus release for new access. "Tuning" TBLEN may be necessary for a best network/system throughput.

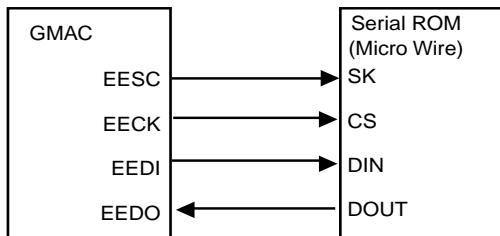
### **Transmit DMA**

Transmit DMA normally has higher priority over host but lower than receive DMA. Once a transmit DMA is granted the access to packet memory, transmit DMA conducts a burst read which is defined by TBLEN [1:0]. Only when current burst transfer is done, arbitrator will release the packet memory bus to next requester.

The physical address of transmit DMA is formed by cascading a page address TRP register and an internal byte counter for receive DMA. RWP [11:0] is mapped to MA[19:8] while the internal byte counter is mapped to MA[7:0]. Thus a 20 bit MA bus is derived. TRP will be automatically updated by GMAC whenever a page is exhausted. If RHBP page is exhausted, GMAC will link BP page as the next available page into TRP if the BP page is free.

## 6.0 Serial ROM ( EEPROM ) Interface

### Serial ROM Connection



- EEDI - Serial ROM (EEPROM) Data In = register 1Ch, bit2
- EECK - Serial ROM (EEPROM) Serial Clock = register 1Ch, bit 1
- EESC - Serial ROM (EEPROM) Chip Select = register 1Ch, bit 0
- EESEL - must be set to enable EEPROM access by register 1Ch, bit 4

### Software Programming Interface

- A Read operation consist of three phases :
1. Command phase - 3 bits ( binary code of "110" )
  2. Address phase - 6 bits for 256- to 1K-bit ROMs ( C46/ C66 pin is high), 8 bits for 2K- to 4K-bit ROMs ( C46/ C66 is forced low )
  3. Data phase - 16 bits for all type of EEPROM

These phases are generated through a sequence of writes to register 1Ch. In certain action, driver must wait until minimum timing requirement for the serial ROM operation is met in order to advance to next action.

The software sequence is available in C source code from MXIC.

A typical read cycle can look like this ( EESEL bit is set )

Write register 1Ch 10H (  $\geq 30ns$  )

Write register 1Ch 11H (  $\geq 50ns$  )  
 Write register 1Ch 13H (  $\geq 250ns$  )  
 Write register 1Ch 11H (  $\geq 100ns$  )

Write register 1Ch 15H (  $\geq 150ns$  )  
 Write register 1Ch 17H (  $\geq 250ns$  )  
 Write register 1Ch 15H (  $\geq 250ns$  )  
 Write register 1Ch 17H (  $\geq 250ns$  )  
 Write register 1Ch 15H (  $\geq 100 ns$  )  
 Write register 1Ch 11H (  $\geq 150 ns$  )  
 Write register 1Ch 13H (  $\geq 250 ns$  )  
 Write register 1Ch 11H (  $\geq 100ns$  )

Write register 1Ch 00H (  $\geq 150 ns$  )  
 Write register 1Ch 00H (  $\geq 250 ns$  )  
 Write register 1Ch 00H (  $\geq 100ns$  )

Write register 1Ch 03H (  $\geq 100ns$  )  
 Read register 1Ch.3 = DX (  $\geq 150ns$  )  
 Write register 1Ch 01H (  $\geq 250ns$  )  
 Write register 1Ch 00H (  $\geq 100ns$  )  
 END

A Write operation consist of three phases :

1. Command phase - 3 bits ( binary code of "110" )
2. Address phase - 6 bits for 256- to 1K-bit ROMs, 8 bits for 2K- to 4K-bit ROMs
3. Data phase - 16 bits

These phases are generated through a sequence of writes to Register 1Ch. In certain action, driver must wait until minimum timing requirement for the serial ROM operation is met in order to advance to next action. A typical driver sequence can look like this

Write register 1Ch 00H (  $\geq 30ns$  )  
 Write register 1Ch 01H (  $\geq 50ns$  )  
 Write register 1Ch 03H (  $\geq 250ns$  )  
 Write register 1Ch 01H (  $\geq 100ns$  )

Write register 1Ch 05H (  $\geq 150ns$  )

Write register 1Ch 07H (  $\geq 250ns$  )  
 Write register 1Ch 05H (  $\geq 100ns$  )

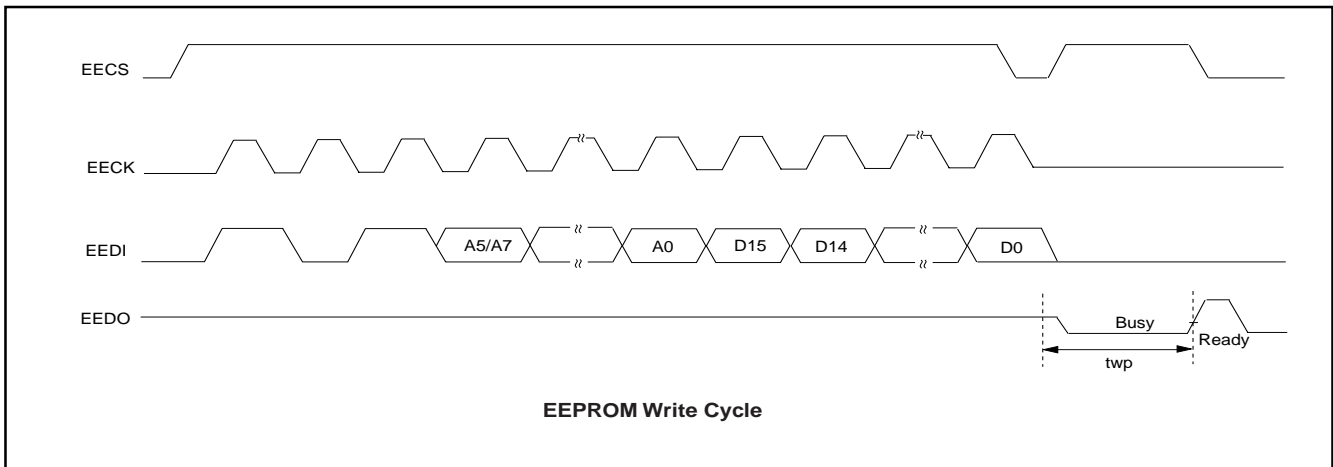
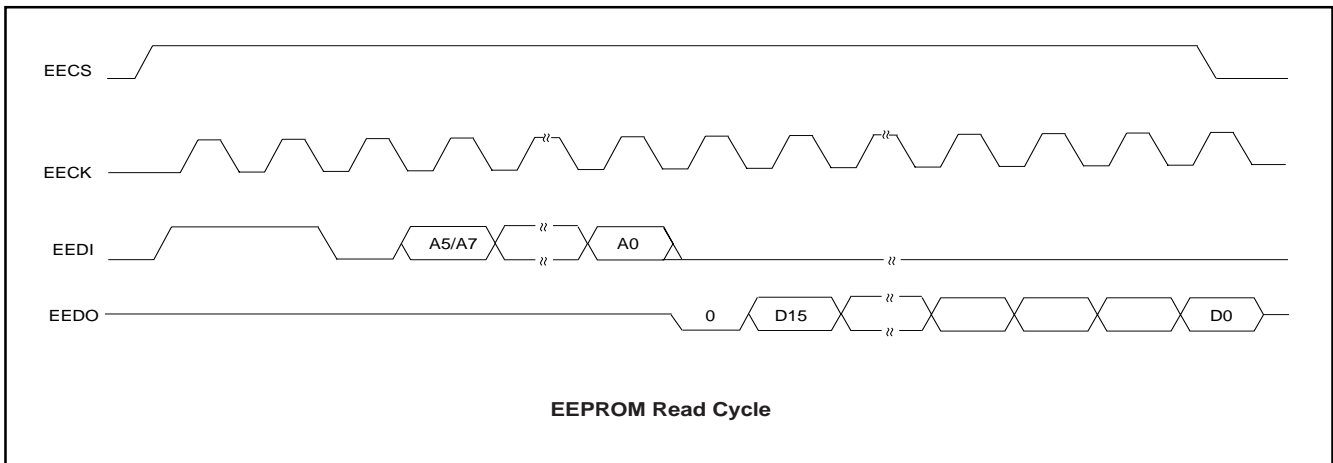
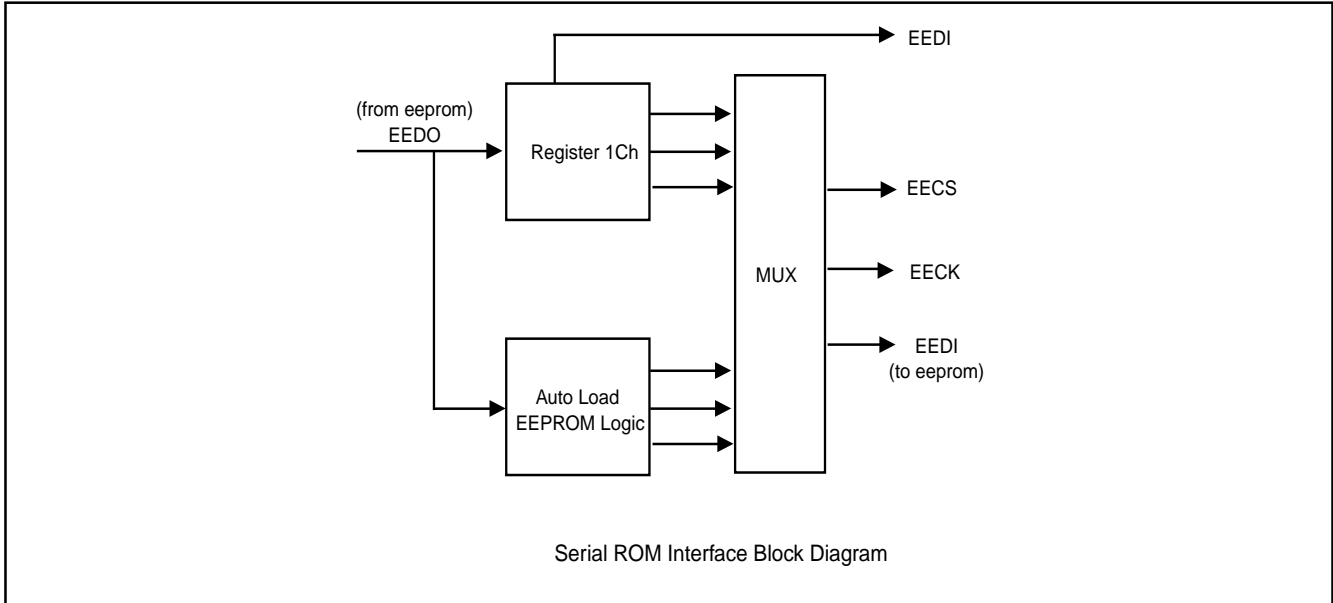
Write register 1Ch 01H (  $\geq 150ns$  )  
 Write register 1Ch 03H (  $\geq 250 ns$  )  
 Write register 1Ch 01H (  $\geq 100 ns$  )  
 Write register 1Ch 05H (  $\geq 150 ns$  )  
 Write register 1Ch 07H (  $\geq 250 ns$  )  
 Write register 1Ch 05H (  $\geq 100ns$  )



Write register 1Ch 00H ( >= 150 ns )  
Write register 1Ch 00H ( >= 250 ns )  
Write register 1Ch 00H ( >= 100ns )

Write register 1Ch 03H ( >= 150ns )  
Write register 1Ch 0XH ( >= 250ns )  
Write register 1Ch 0XH ( >= 100ns )

Write register 1Ch 00H ( >= 250ns )  
Write register 1Ch 01H ( >= 250ns )  
\*Read register 1Ch.3  
if register 1Ch.3 = 1 then go on  
Write register 1Ch 00H ( >= 250ns )  
else  
Wait 1 ms then go to \*Read register 1Ch.3  
END

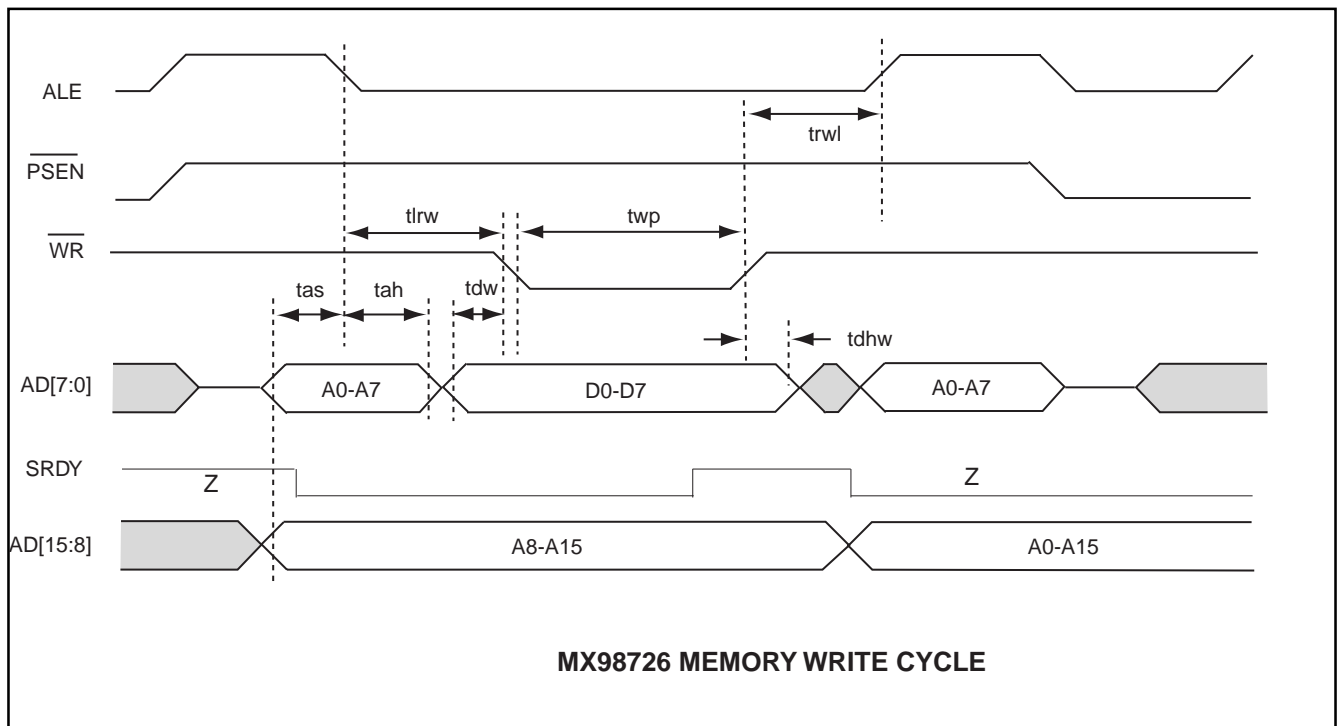
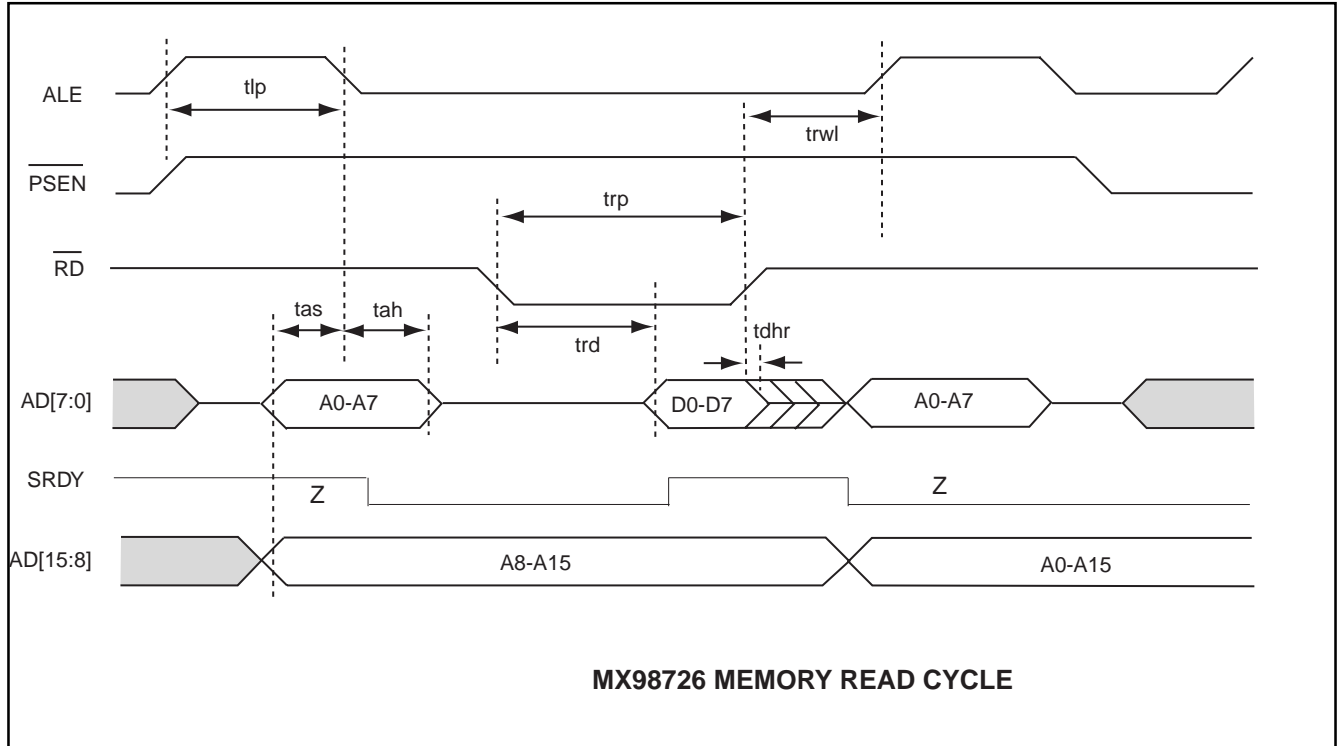


**Autoload Function**

The Autoload Function is executed only once after hardware reset (pin RSTB from low to high). At that time the Serial ROM interface is controlled by GMAC to load the data from Serial ROM into GMAC.

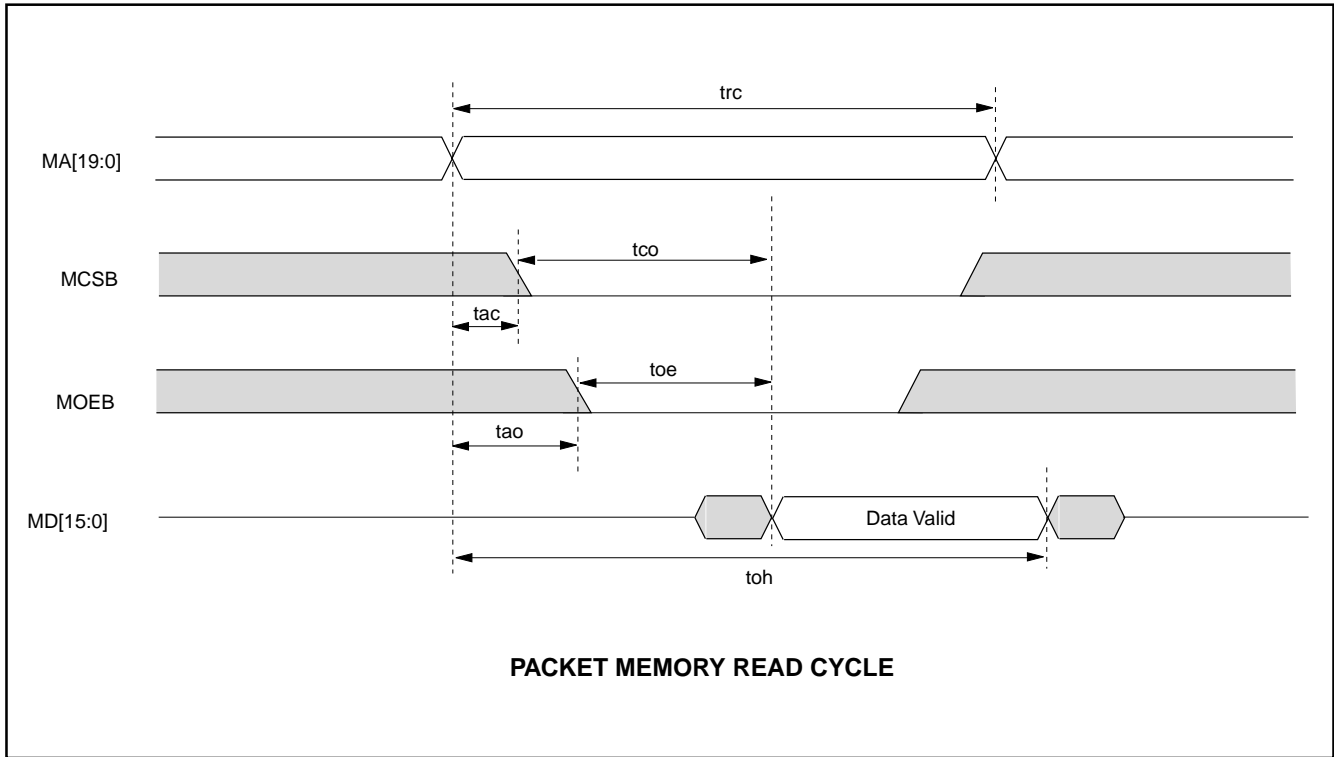
**EEPROM Content ( suggested )**

Location	Content
00H	Physical Address Byte 0 : PAR[7:0] ( MSB )
01H	Physical Address Byte 1 : PAR[15:8]
02H	Physical Address Byte 2 : PAR[23:16]
03H	Physical Address Byte 3 : PAR[31:24]
04H	Physical Address Byte 4 : PAR[39:32]
05H	Physical Address Byte 5 : PAR[47:40]
06H	GMAC Configuration A Register : GCA[7:0] bit 0 : BPSCRM bit 1 : PBW bit 2 : reserved bit 3 : reserved bit 4 : reserved bit 5 : AUTOPUB bit 6 : DISMIO bit 7 : reserved
07H	reserved
08H-END	Reserved for Software application

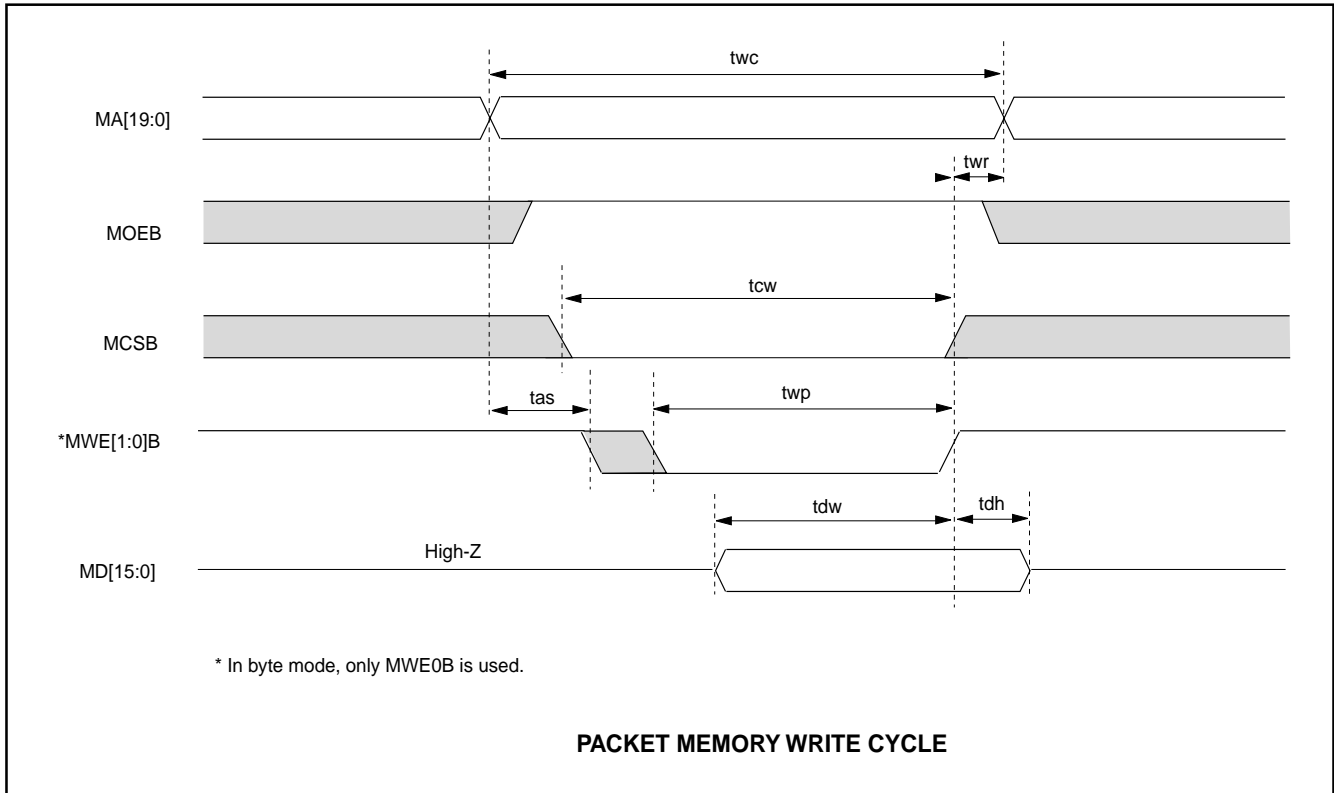
**7.0 Timing Diagram and AC specification**




SYMBOL	PARAMETER	12MHZ		16MHZ		24MHZ		40MHZ		UNIT
		MIN.	MAX.	MIN.	MAX.	MIN.	MAX.	MIN.	MAX.	
tlp	Ale pulse duration	25	-	25	-	25	-	25	-	ns
tas	Address set-up time to ale	3	-	3	-	3	-	3	-	ns
tah	Address hold time after ale	5	-	5	-	5	-	5	-	ns
trp	RD pulse duration	38	-	38	-	38	-	38	-	ns
twp	WR pulse duration	38	-	38	-	38	-	38	-	ns
trd	RD to valid data input	-	20	-	20	-	20	-	20	ns
tdhr	Data hold time after RD	0	-	0	-	0	-	0	-	ns
tlrw	Time from ale to RD or WR	50	-	50	-	50	-	50	-	ns
trwl	Time from RD or WR high to ale high	10	-	10	-	10	-	10	-	ns
tdw	Data valid to WR transition	5	-	5	-	5	-	5	-	ns
tdhw	Data hold time after WR	0	-	0	-	0	-	0	-	ns

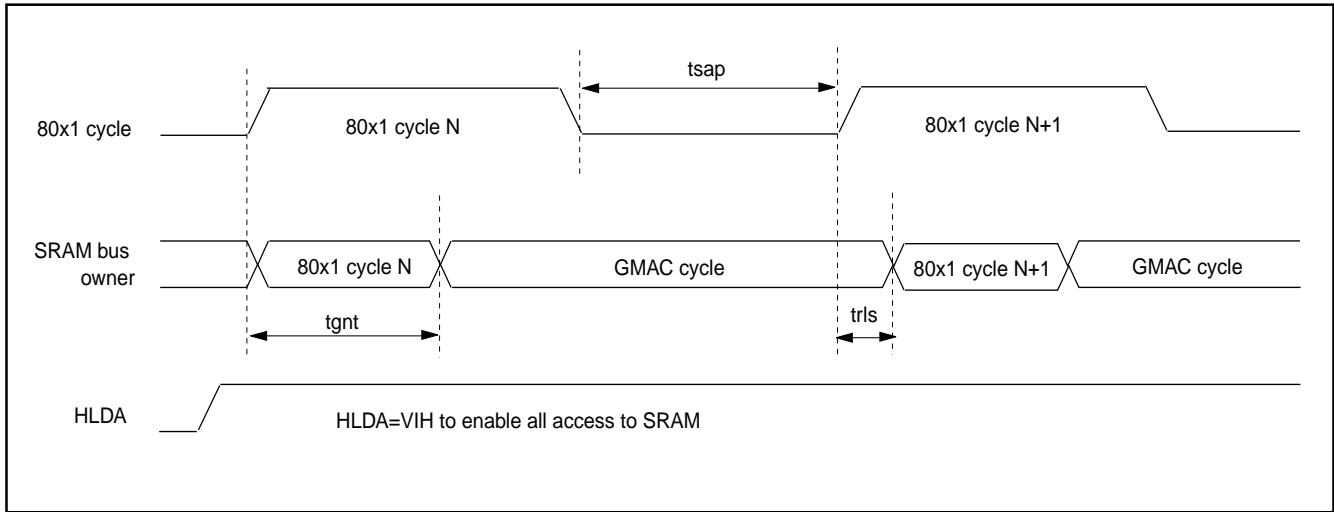

**READ CYCLE**

PARAMETER	SYMBOL	MIN.	MAX.	UNIT
Read Cycle Time	trc	35	40	ns
Chip Select to Output	tco	-	20	ns
Output Enable to Valid Data Input	toe	-	20	ns
Output Hold from Address Change	toh	25	-	ns
Chip Select from Valid Address	tac	0	2	ns
Output Enable from Valid Address	tao	0	2	ns



## WRITE CYCLE

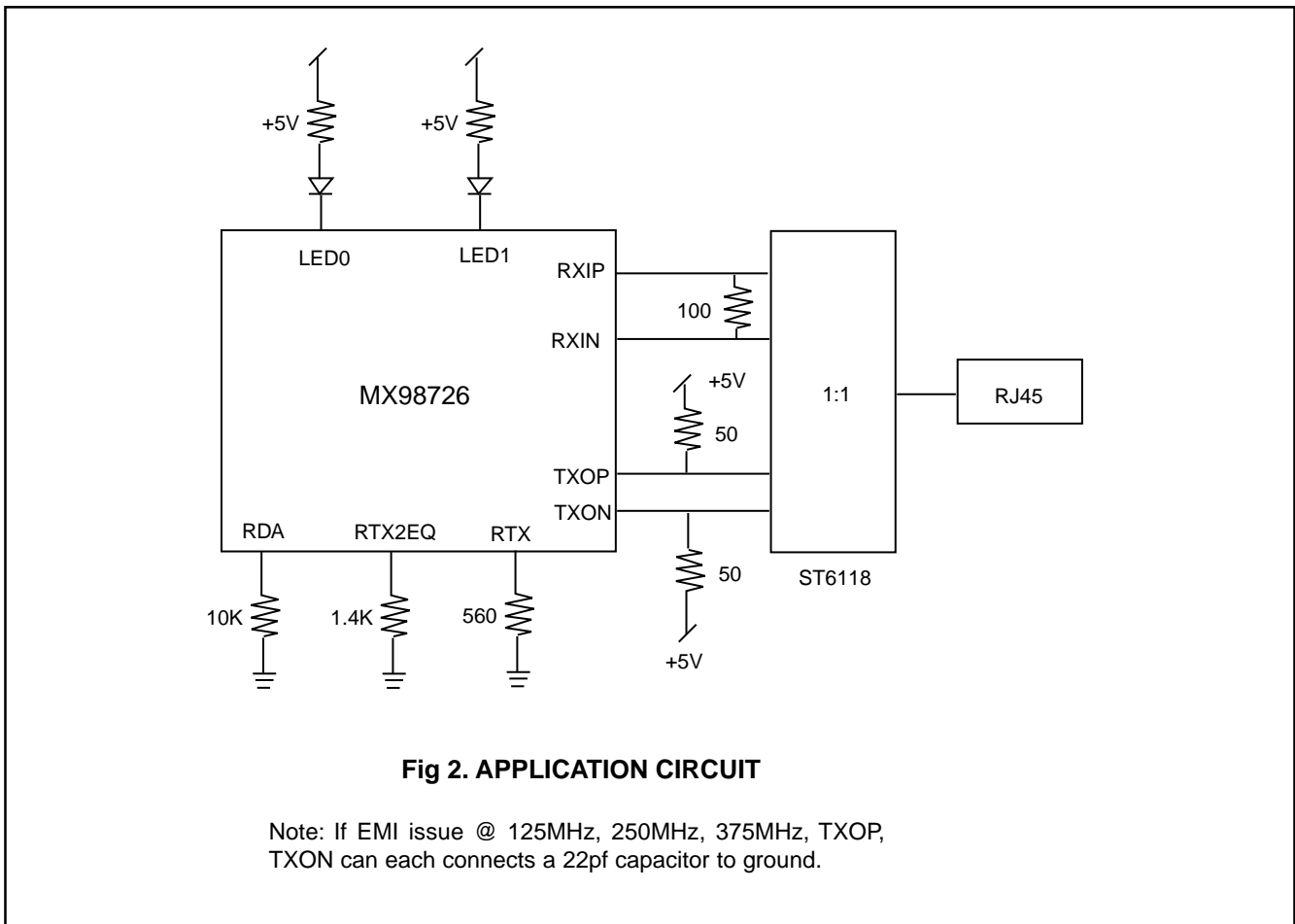
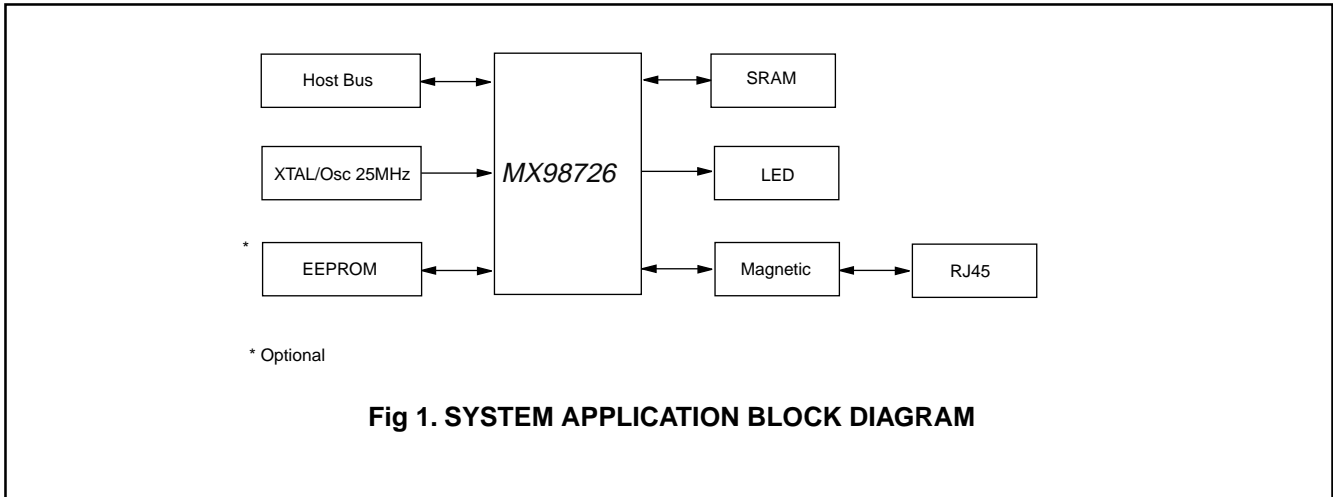
PARAMETER	SYMBOL	MIN.	MAX.	UNIT
Write Cycle Time	$t_{wc}$	35	40	ns
Chip Select to End of Write	$t_{cw}$	35	-	ns
Address Set-up Time	$t_{as}$	5	-	ns
Write Pulse Width (OE-High)	$t_{wp}$	18	-	ns
Write Recovery Time	$t_{wr}$	7	-	ns
Data to Write Time Overlap	$t_{dw}$	22	-	ns
Data Hold from MWEB Deassertion	$t_{dh}$	8	-	ns

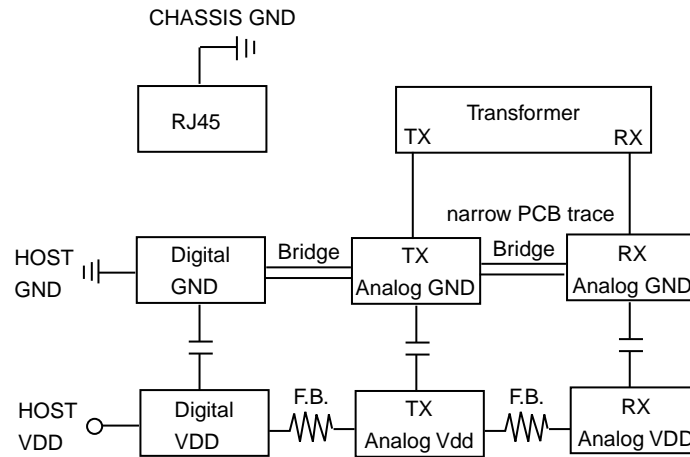


SYMBOL	PARAMETER	MIN.	MAX.	UNIT
tgnt	GMAC grant valid delay		8	TCLK
trls	GMAC grant release delay	4	TCLK	

TCLK=Internal clock running at 50MHz

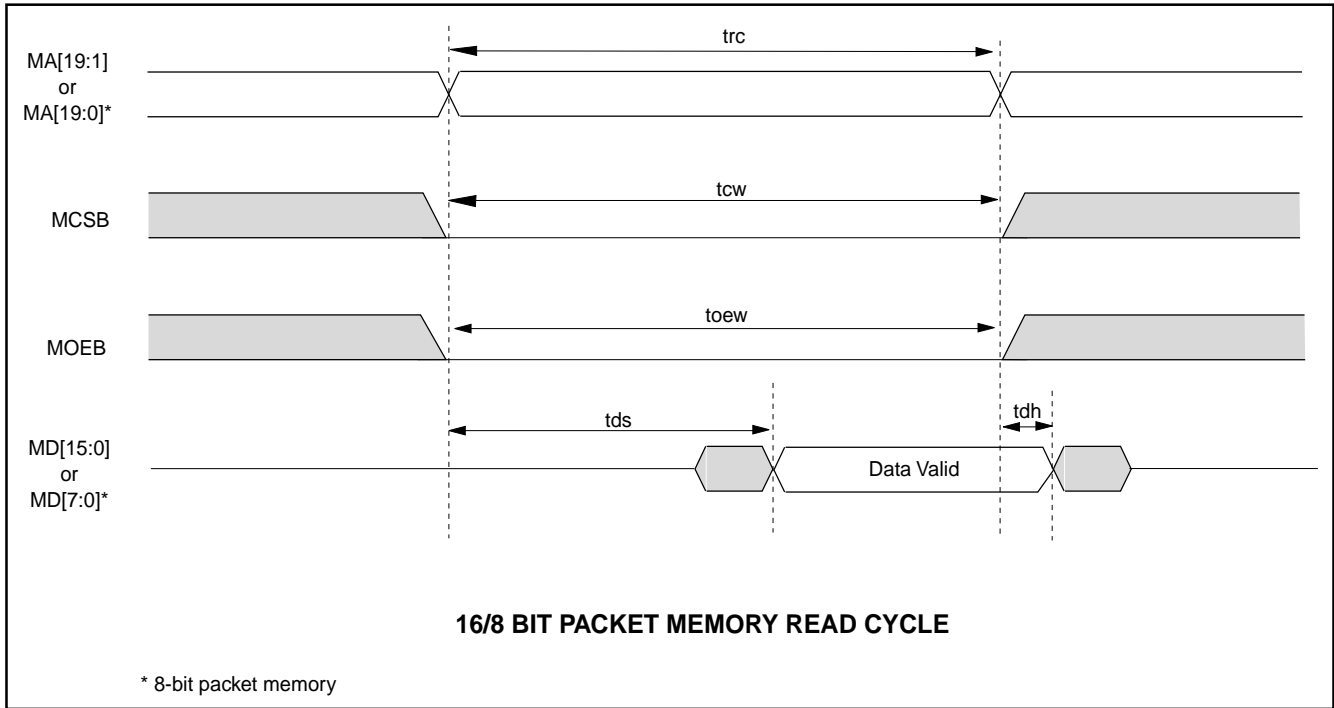


**7.0 HARDWARE DESIGN CONSIDERATIONS**



**Fig 3. PCB POWER PLANE**

## 8.0 DC CHARACTERISTICS

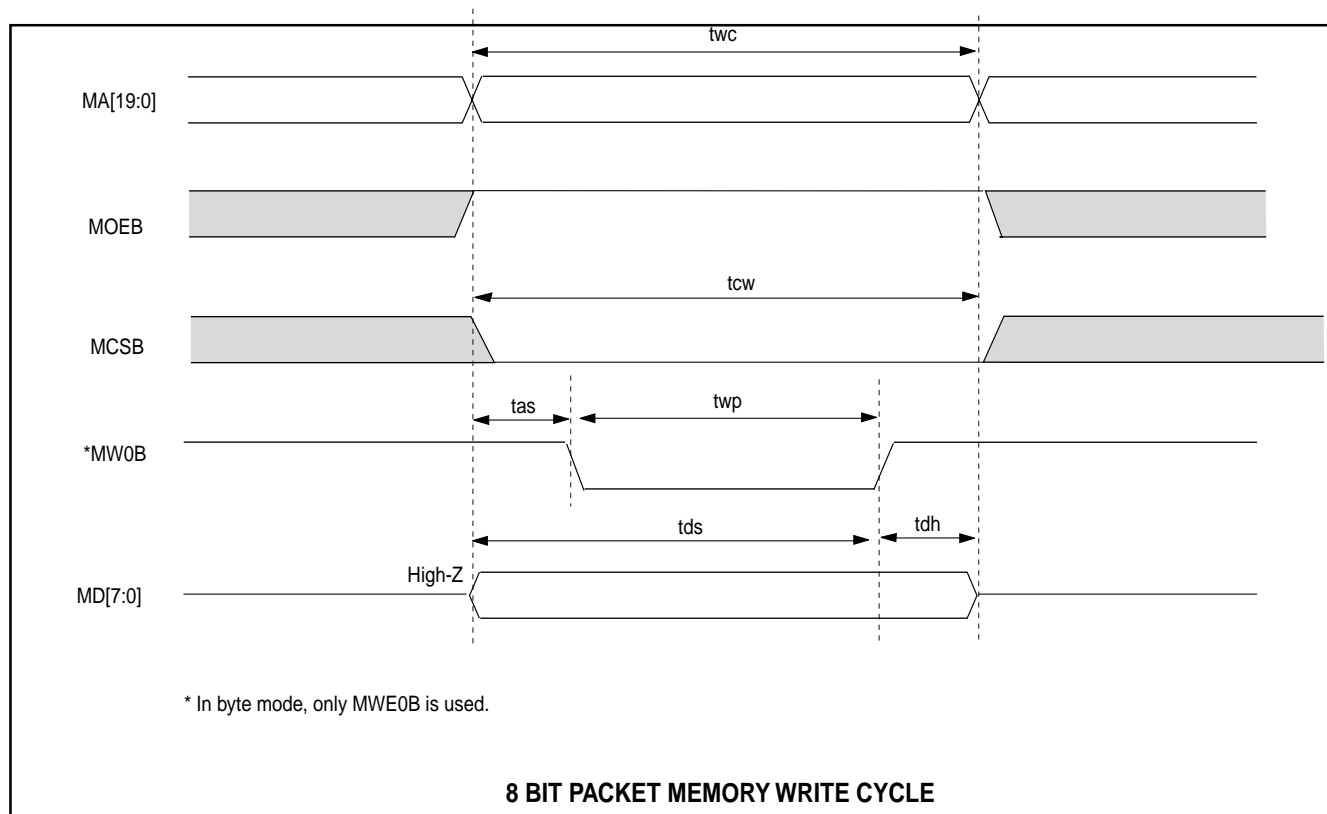
Symbol	Parameter	Conditions	Min.	Max.	Units
TTL/PCI Input/Output					
Voh	Minimum High Level Output Voltage	Ioh=-4mA	2.4		V
Vol	Maximum Low Level Output Voltage	Iol=+4mA		0.4	V
Vih	Minimum High Level Input Voltage		2.0		V
Vil	Maximum Low Level Input Voltage			0.8	V
Iin	Input Current	Vi=VCC or GND	-1.0	+1.0	uA
Ioz	Minimum TRI-STATE Output Leakage Current	Vout=VCC or GND	-10	+10	uA
LED Output Driver					
Vol	LED turn on Output Voltage	Iol=16mA		0.4	V
Supply					
Idd	Average Supply Current	CKREF=25MHz	130	170	mA
Vdd Average Supply Voltage			4.75V	5.25V	V
Clock	25MHz±30ppm				



### READ CYCLE

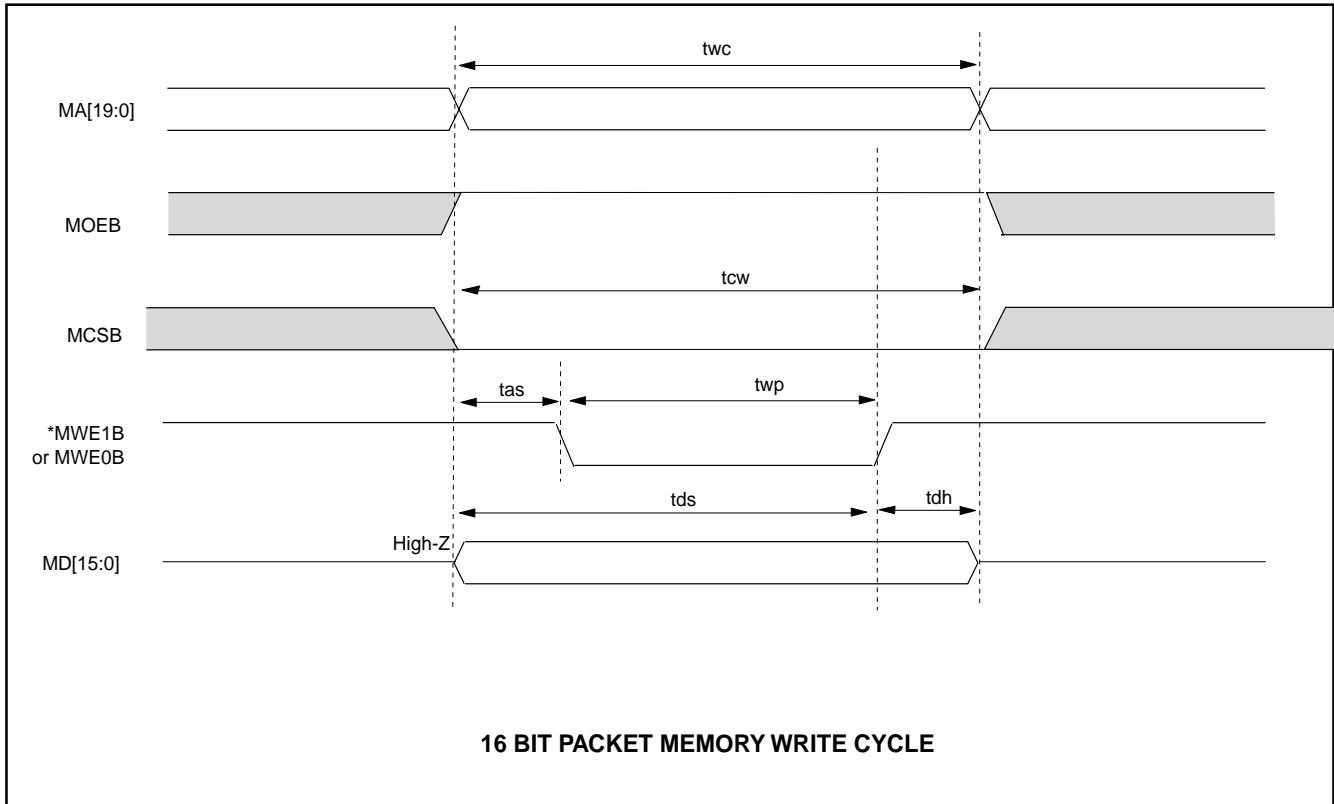
PARAMETER	SYMBOL	MIN.	MAX.	UNIT
Read Cycle Time	trc	35	40	ns
Chip Select Pulse Width	tcw	35	40	ns
Output Enable Pulse Width	toew	35	40	ns
Data Hold from Address Change	tdh	-0	-	ns
Data Valid Delay From Address Change	tds	-	25	ns

**Note :** MA[19:0], MOEB, MCSB are asserted at the same internal clock edge.


**WRITE CYCLE**

PARAMETER	SYMBOL	MIN.	MAX.	UNIT
Write Cycle Time	twc	35	40	ns
Chip Select Pulse Width	tcw	35	40	ns
Address Set-up Time	tas	5	-	ns
Write Pulse Width (OE-High)	twp	18	-	ns
Data Setup To Write Rising Edge	tds	25	28	ns
Data Hold from MWEB Deassertion	tdh	10	-	ns

**Note :** MA[19:0], MOEB, MCSB are asserted at the same internal clock edge.


**WRITE CYCLE**

PARAMETER	SYMBOL	MIN.	MAX.	UNIT
Write Cycle Time	twc	35	40	ns
Chip Select Pulse Width	tcw	35	40	ns
Address Set-up Time	tas	5	-	ns
Write Pulse Width (OE-High)	twp	18	-	ns
Data Setup To Write Rising Edge	tds	25	28	ns
Data Hold from MWEB Deassertion	tdh	10	-	ns

**Note :** MA[19:0], MOEB, MCSB are asserted at the same internal clock edge.



REVISION HISTORY

REVISION	DESCRIPTION	PAGE	DATE
0.9.6	Changed to V 0.9.6 added revision history	P53	July/28/1999
0.9.6	added register 30h description	P17	
0.9.6	added register 30h description	P18	
0.9.6	add register 40h-43h as reserved.	P21	
0.9.6	LRPS register , add "notes".	P12	
0.9.6	add MAC address filtering flow chart	P35	
0.9.6	12K changed to 10K. 1.5K changed to 1.4K	P7	
0.9.6	RLBP changed to RHBP	P14	
0.9.6	add "RHBP" short hand to register 1A, 1B h	P15	
0.9.6	rename network address filtering registers ( MAR)	P17	
0.9.6	change 12K to 10K	P48	
0.9.7	modify MISC Control Register	P21	Dec/28/1999
0.9.7	add Write TX FIFO Data Port register	P22	
0.9.7	add Read Data register	P22	
0.9.7	add MISC Control Register 2	P22	
0.9.7	add Host Receive Packet Counter	P23	
0.9.7	add Host DMA Fragment Counter	P23	
0.9.8	contents modify	P7,15 P38,44	Feb/14/2000



**MX98726**

---

---

## **MACRONIX INTERNATIONAL Co., LTD.**

**HEADQUARTERS:**

TEL: +886-3-578-8888

FAX: +886-3-578-8887

**EUROPE OFFICE:**

TEL: +32-2-456-8020

FAX: +32-2-456-8021

**JAPAN OFFICE:**

TEL: +81-44-246-9100

FAX: +81-44-246-9105

**SINGAPORE OFFICE:**

TEL: +65-747-2309

FAX: +65-748-4090

**TAIPEI OFFICE:**

TEL: +886-3-509-3300

FAX: +886-3-509-2200

**MACRONIX AMERICA, INC.**

TEL: +1-408-453-8088

FAX: +1-408-453-8488

**CHICAGO OFFICE:**

TEL: +1-847-963-1900

FAX: +1-847-963-1909

**[http : //www.macronix.com](http://www.macronix.com)**