

# Fiber Optics

## MT108SL-UR3

### Applications -

- Bar Code Scanning
- Fiber Optics
- Optical Switch

### Features -

- Visible Light Emitter
- Excellent Optical/Mechanical Axis Alignment
- Optical Grade Glass Lens

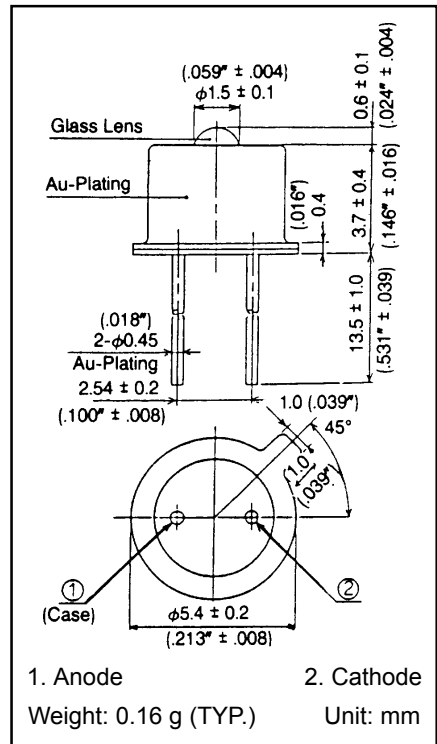
### MAXIMUM RATINGS (Ta = 25°C)

CHARACTERISTIC	SYMBOL	RATING	UNIT
Forward Current	I <sub>F</sub>	50	mA
Reverse Voltage	V <sub>R</sub>	5	V
Pulse Forward Current	I <sub>FP</sub>	0.3*	A
Power Dissipation	P <sub>D</sub>	140	mW
Operating Temperature	T <sub>opr</sub>	-20~80	°C
Storage Temperature	T <sub>stg</sub>	-30~100	°C

\* tw = 10μs, T = 10mS

### OPTO-ELECTRICAL CHARACTERISTICS (Ta = 25°C)

CHARACTERISTIC	SYMBOL	TEST CONDITION	MIN.	TYP.	MAX.	UNIT
Power Output	PO	IF = 20mA	0.3	0.6	—	mW
Forward Voltage	V <sub>F</sub>	IF = 20mA	—	1.8	2.2	V
Reverse Current	I <sub>R</sub>	VR = 5V	—	—	100	μA
Peak Wavelength	λ <sub>p</sub>	IF = 20mA	—	660	—	nm
Spectral Line Half Width	Δλ	IF = 20mA	—	25	—	nm
Viewing Angle	θ	—	—	24	—	°
PO Temperature Coefficient	TC of PO	IF = 10mA	—	-0.5	—	% / °C
VF Temperature Coefficient	TC of V <sub>F</sub>	IF = 10mA	—	-1.5	—	mV / °C
Junction Capacitance	C <sub>j</sub>	V = 0V, 1MHz	—	20	—	pF



120 Broadway • Menands, New York 12204

Toll Free: (800) 98-4LEDS • Fax: (518) 432-7454

# Fiber Optics

## MT108SL-UR3 Graphs -

