

**HCMOS SM CLOCK WITH TRI-STATE
SURFACE MOUNT 6-PIN**

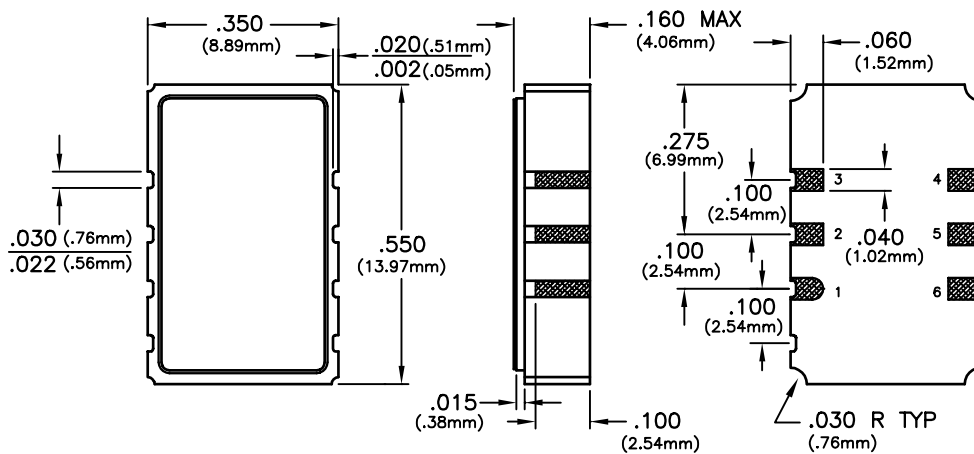
| SPECIFICATIONS | MSD61A1 | MSD62A1 | MSD63A1 | MSD64A1 |
|----------------------|--|--------------------------------------|---------|---------|
| Frequency Range | 2MHz to 70MHz | | | |
| Frequency Stability | ±25ppm | ±50ppm | ±100ppm | ±20ppm |
| | (Inclusive of calibration tolerance at 25°C and operating temperature range, input voltage change, aging, shock and vibration) | | | |
| Temperature Range | -40°C to 85°C | | | |
| Output | Waveform | HCMOS Squarewave | | |
| | Load | 15pF Maximum | | |
| | Voltage Voh | Vcc - .5V Minimum | | |
| | Vol | 0.40V Maximum | | |
| | Current Ioh | -8mA | | |
| | Iol | 8mA | | |
| | Duty Cycle | 45/55 Maximum Measured at 50% of Vdd | | |
| | Rise/Fall Time | 3nS Typical | | |
| Jitter | 5pS RMS Maximum | | | |
| Input | Tri-State | Pin 1 | | |
| | Output Enable/Disable Time | 100nS | | |
| | Enable Vih | 2.0V Minimum | | |
| | Disable | 0.5V Maximum | | |
| | Oscillator output is enabled with no connection on pin 1 | | | |
| Start Up Time | 10mS Maximum | | | |
| Supply Voltage (Vdd) | 3.3Vdc ±0.3Vdc | | | |
| Supply Current | 15mA Typical , 30mA Maximum | | | |
| Package | Hermetically sealed, leadless ceramic package | | | |

EXAMPLE MODEL NUMBER:

M S D 6 1 A 1 / 4 4 . 7 3 6 M H z

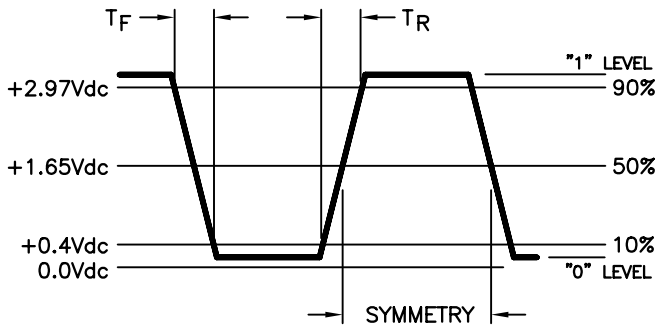
SURFACE MOUNT _____
HCMOS SERIES

_____ CENTER FREQUENCY

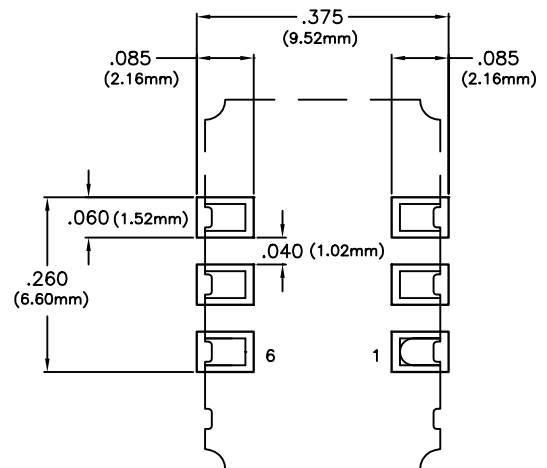


| PIN | CONNECTION |
|-----|---------------|
| 1 | E/D TRI-STATE |
| 2 | N/C |
| 3 | GROUND |
| 4 | OUTPUT |
| 5 | N/C |
| 6 | Vcc |

OUTPUT WAVEFORM



SUGGESTED PAD LAYOUT



TEST CIRCUIT

