

DESCRIPTION

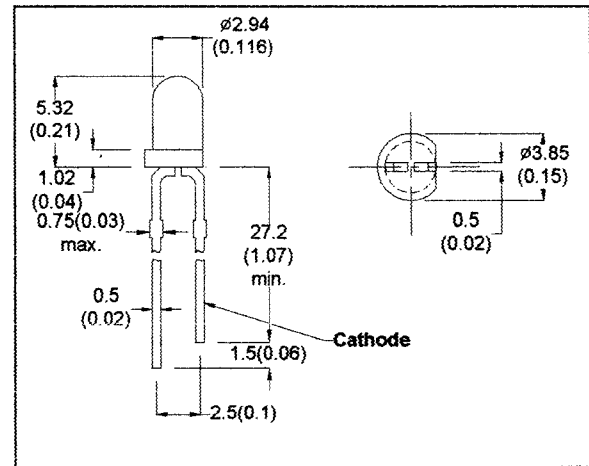
MSB32XA Series are ultra high brightness GaAlAs red LED lamp with 3mm diameter epoxy package.

MSB32CA is GaAlAs red chip with red transparent lens.

MSB32DA is GaAlAs red chip with red diffused lens.

MSB32TA is GaAlAs red chip with clear transparent lens.

MSB32WA is GaAlAs red chip with clear diffused lens.



- All Dimension in mm (inch)
- No Scale
- Tol : +/- 0.3mm

ABSOLUTE MAXIMUM RATINGS

Power Dissipation @Ta=25°C	100mW
Forward Current, DC (IF)	40mA
Reverse Voltage	5V
Operating & Storage Temperature Range	-55 to +100°C
Lead Soldering Temperature (1/16" from body)	260°C for 5 sec.

ELECTRO-OPTICAL CHARACTERISTICS (Ta=25°C)

PARAMETER	SYMBOL	MSB32CA	MSB32DA	MSB32TA	MSB32WA	UNIT	CONDITIONS
Forward Voltage	MAX VF	2.4	2.4	2.4	2.4	V	IF=20mA
Reverse Breakdown Voltage	MIN BVR	5	5	5	5	V	IR=100 μA
Luminous Intensity	MIN IV	100	30	100	30	mcd	IF=20mA
	TYP	150	45	150	45	mcd	
Peak Wavelength	TYP λp	660	660	660	660	nm	IF=20mA
Spectral Line Half Width	TYP Δλ	20	20	20	20	nm	IF=20mA
Viewing Angle	TYP 2θ 1/2	30	50	30	50	degree	IF=20mA

MICRO ELECTRONICS LTD.

38, Hung To Road, Microtron Building, Kwun Tong, Kowloon, Hong Kong.

Kwun Tong P.O. Box 69477 Hong Kong. Fax No. 2341 0321 Telex:43510 Micro Hx. Tel: 2343 0181-5

Aug-99