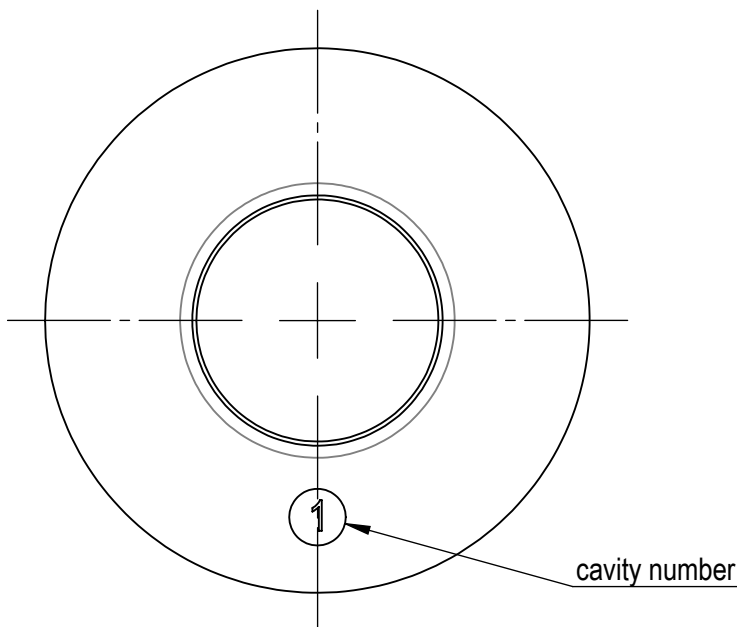


A-A



Float					
Material	PA				
Colour	white				
Density (delivery status)	N/A				g/cm ³
Magnet					
Type	Ring magnet				
Material	Barium Ferrite				
Density typ.	N/A				g/cm ³
Article.No	4003004150				
Magnetic moment (MS150)	Min.	Typ.	Max.		µVs*cm
	19	21,5	24		
Floatingmagnet					
Remarks	axial magnetized				
Protection class	N/A				
Overall weight	Min.	Typ.	Max.		g
	10,1		11,5		
Overall density	N/A				g/cm ³
Recommendation for min. density of the used medium: Overall density of the Floatmagnet +20%					

Application					Tolerance DIN ISO 2768-m		Surface		Scale: 2:1		Weight:				
					created:	28.09.2016	wkovacs		MS07-PA Floating magnet						
					checked:										
					Sheet size:	A4									
					dimensions in:	mm									
					StandexMeder Electronics GmbH Robert-Bosch-Str.4 78224 Singen Tel.:+49(0)7731/8399-0 Fax:+49(0)7731/8399-30							Art.Nr./DrawingNr. 2500000007			
	a	was 16,15±0,15 mm	28.09.2016	w.k.	www.standexmeder.com							Tool Nr.			
01		issued in swx, previous versions archived in Navision	28.09.2016	w.k.								<small>PROPRIETARY AND CONFIDENTIAL THE INFORMATION CONTAINED IN THIS DRAWING IS THE SOLE PROPERTY OF StandexMeder Electronics GmbH. ANY REPRODUCTION IN PART OR AS A WHOLE WITHOUT THE WRITTEN PERMISSION OF StandexMeder Electronics GmbH IS PROHIBITED.</small>		page 1	
Rev.	state	change	date	name										of 1	