

MS-104-3

Micro Reed Sensor • pitch 11.40 mm



Electrical Characteristics

Contact form		A
Contact rating max.	W / VA	10
Switching current max.	A	0.5
Carry current max.	A	0.7
Switching voltage max.	VDC	150
	VAC	120
Breakdown voltage min.	VDC	200
Contact resistance (initial) max.	mΩ	200
Insulation resistance min.	Ω	10 ⁹
Capacitance typ.	pF	0.4

Magnetical Characteristics

Pull in range available ¹	AT	10-25
--------------------------------------	----	-------

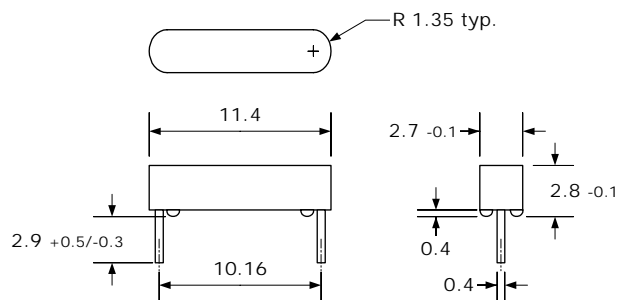
¹ AT range stated for unmodified Reed Switch

Operating Characteristics

Operate time (incl. bounce) max.	ms	0.3
Release time max.	ms	0.1
Switching frequency max.	Hz	600
Resonant frequency typ.	Hz	12,000
Vibration (50-2000 Hz)	g	10
Shock (1/2 sin 11 ms)	g	50
Operating temperature	°C	-20 to +85

Dimensions

in mm



Ordering Information

Series	AT Range
MS-104-3	1 = 10-15 / 2 = 15-20 / 3 = 20-25

Ordering example: MS-104-3-2 describes MS-104-3 with 15-20 AT

Customized types available.