



MP7643

4-Channel, Programmable Gain
Voltage Output, 15 MHz Input Bandwidth
8-Bit DACs with Multiplying
Parallel Digital Data Port

FEATURES

- Programmable Gain
- 4 Independent 2-Quadrant Multiplying 8-Bit DACs with Output Amplifiers
- Dual Positive (+10 V and +5 V) Supplies or Dual (± 5 V) Supplies Capability
- High Speed:
 - 12.5 MHz Digital Clock Rate
 - V_{REF} to V_{OUT} Settling Time: 150ns to 8-bit (typ)
 - Voltage Reference Input Bandwidth: 15 MHz
- Very Low Noise Gain Control
- Low Power: 80mW
- Low AC Voltage Reference Feedthrough
- Excellent Channel-to-Channel Isolation
- DNL = ± 0.5 LSB, INL = ± 1 LSB (typ)
- DACs Matched to $\pm 0.5\%$ (typ)
- Low Harmonic Distortion: 0.25% typical with $V_{REF} = 1$ V p-p @ 1 MHz
- Latch-Up Free
- ESD Protection: 2000 V Minimum

APPLICATIONS

- Direct High-Frequency Automatic Gain Control
- Video AGC & CCD Level AGC
- Convergence Adjustment for High-Resolution Monitors (Workstations)
- Multiplier Replacement

GENERAL DESCRIPTION

The MP7643 is ideal for digital gain control of high frequency analog signals such as video, composite video and CCD. The device includes 4-channels of high speed, wide bandwidth, two quadrant multiplying, 8-bit accurate digital-to-analog converter. It includes an output drive buffer per channel capable of driving a ± 1 mA (typ) load. DNL of better than ± 0.5 LSB is achieved with a channel-to-channel matching of typically 0.5%. Stability, matching, and precision of the DACs are achieved by using MPS' thin film technology. Excellent channel-to-channel isolation is also achieved with MPS' BiCMOS process which cannot be achieved using a typical CMOS technology.

An open loop architecture (patent pending) provides wide small signal bandwidth from V_{REF} to output up to 15 MHz (typ),

fast output settling time of 150 ns, and excellent V_{REF} feedthrough isolation. The negative feedback terminal of the output op amp is available for user gain control. In addition, low distortion in the order of 0.25% with a 1 V p-p, 1 MHz signal is achieved.

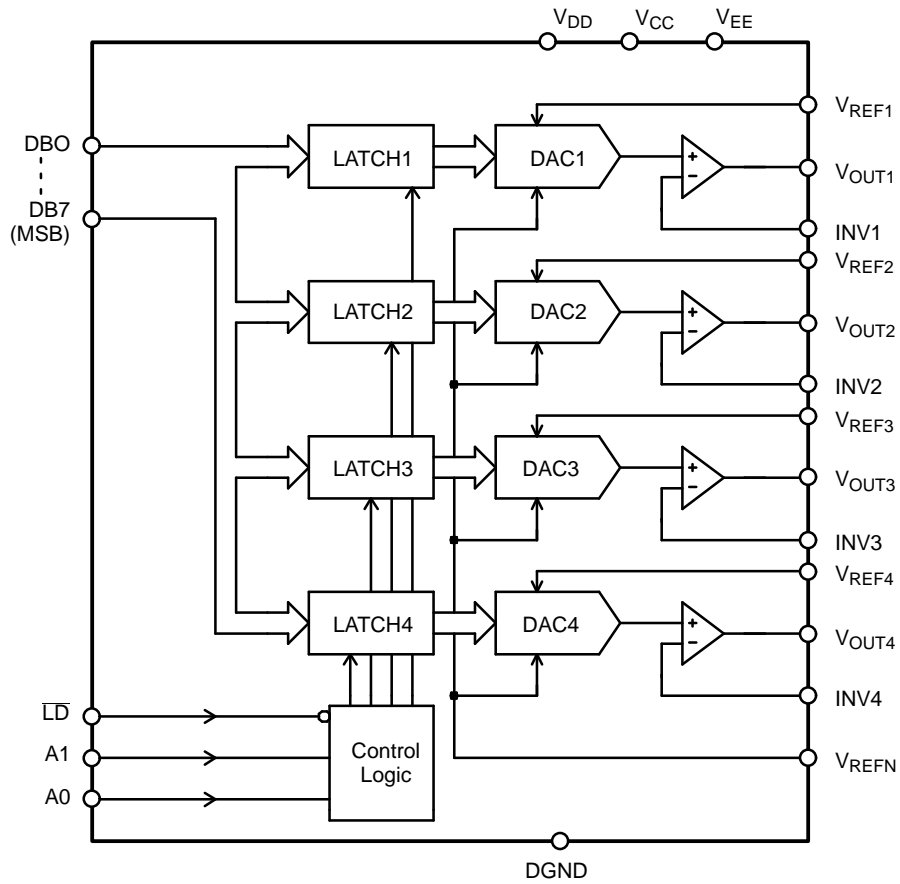
The combination of a constant input Z and the ability to vary V_{REFN} within $V_{CC} - 1.8$ V to $V_{EE} + 1.5$ V allows flexibility for optimum system design.

The MP7643 is fabricated on a junction isolated, high speed BiCMOS (BiCMOS IVTM) process with thin film resistors. This process enables precision high speed analog/digital (mixed-mode) circuits to be fabricated on the same chip.

ORDERING INFORMATION

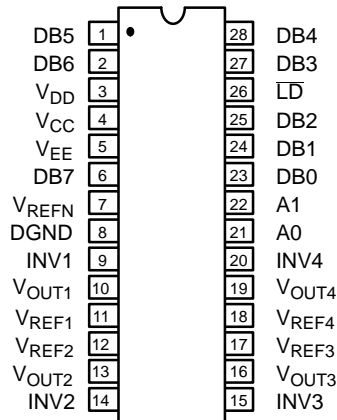
Package Type	Temperature Range	Part No.	INL (LSB)	DNL (LSB)	Gain Error (% FSR)
SOIC	-40 to +85°C	MP7643AS	± 1	± 0.5	± 1.5
Plastic Dip	-40 to +85°C	MP7643AN	± 1	± 0.5	± 1.5

SIMPLIFIED BLOCK DIAGRAM

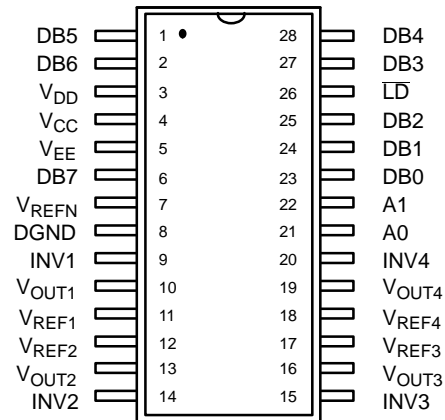


PIN CONFIGURATIONS

See Packaging Section for Package Dimensions



**28 Pin PDIP (0.300")
NN28**



**28 Pin SOIC (Jedec, 0.300")
S28**

PIN OUT DEFINITIONS

PIN NO.	NAME	DESCRIPTION
1	DB5	Data Input Bit 5
2	DB6	Data Input Bit 6
3	V _{DD}	Digital Positive Supply
4	V _{CC}	Analog Positive Supply
5	V _{EE}	Analog Negative Supply
6	DB7	Data Input Bit 7
7	V _{REFN}	Negative Reference Input
8	DGND	Digital Ground
9	INV1	Inverting Input 1
10	V _{OUT1}	DAC 1 Output
11	V _{REF1}	DAC 1 Positive Reference Input
12	V _{REF2}	DAC 2 Positive Reference Input
13	V _{OUT2}	DAC 2 Output
14	INV2	Inverting Input 2

PIN NO.	NAME	DESCRIPTION
15	INV3	Inverting Input 3
16	V _{OUT3}	DAC 3 Output
17	V _{REF3}	DAC 3 Positive Reference Input
18	V _{REF4}	DAC 4 Positive Reference Input
19	V _{OUT4}	DAC 4 Output
20	INV4	Inverting Input 4
21	A0	DAC Address Bit 0
22	A1	DAC Address Bit 1
23	DB0	Data Input Bit 0
24	DB1	Data Input Bit 1
25	DB2	Data Input Bit 2
26	LD	Load Data to Selected DAC
27	DB3	Data Input Bit 3
28	DB4	Data Input Bit 4

ELECTRICAL CHARACTERISTICS TABLE FOR DUAL SUPPLIES

Unless Otherwise Noted: $V_{DD} = 5\text{ V}$, $V_{CC} = +5\text{ V}$, $V_{EE} = -5\text{ V}$, $V_{REF} = 3\text{ V}$ and -3 V , $T = 25^\circ\text{C}$,
Output Load = No Resistive Load, $V_{REFN} = \text{DGND} = 0\text{ V}$, Gain = 1

Parameter	Symbol	25°C			Units	Test Conditions/Comments
		Min	Typ	Max		
DC CHARACTERISTICS						
Resolution (All Grades)	N	8			Bits	
Differential Non-Linearity	DNL		±0.5	±0.8	LSB	
Integral Non-Linearity	INL		±1	±1	LSB	
Monotonicity		Guaranteed				
Gain Error	GE			±1.5	% FSR	FSR = Full Scale Range ¹
Zero Scale Offset	Z _{OFS}			±50	mV	
Output Drive Capability	I _O		±1		mA	
REFERENCE/INV INPUTS						
Impedance of V _{REF}	REF	6		18	kΩ	V _{REF} Max Swing is V _{REFN} ±3 V
Voltage Range	V _{RP}	V _{EE} +1.5		V _{CC} -1.8	V	
INV DC Voltage Range	V _{RN}	V _{EE} +1		0	V	
DYNAMIC CHARACTERISTICS²						
Input to Output Bandwidth			15		MHz	R _L = 5 k, C _L = 20 pF V _R = 1.6 V p-p, R _L = 5k to V _{EE} V _R = 1.6 V p-p, R _L = 5k to V _{EE} V _{OUT} =50mV p-p above code 16
Input to Output Settling Time ⁵			150		ns	
Small Signal Voltage Reference	f _{tr}		15		MHz	
Input to Output Bandwidth			15		MHz	V _{OUT} =50mV p-p for all codes
Small Signal Voltage Reference	f _{tr}		15		MHz	
Input to Output Bandwidth			300		ns	V _R =0 to V _R = 3V Step ⁶ to 1 LSB ZS to FS to 1 LSB
Voltage Settling from V _{REF} to V _{DAC} Out	t _{sr}		300		ns	
Voltage Settling from Digital Code to V _{DAC} Out	t _{sd}		300		ns	
V _{REF} Feedthrough	F _{DT}		TBD		dB	Codes=0 @ 1 MHz
Group Delay	GD		TBD		ns	
Harmonic Distortion	T _{HD}		TBD		%	V _{REF} =1MHz Sine 3V p-p @ 1 MHz, single channel
Channel-to-Channel Crosstalk	C _T		TBD		dB	
Digital Feedthrough	Q		TBD		nVS	CLK to V _{OUT}
Power Supply Rejection Ratio	PSRR		±0.05		%/%	ΔV=±5%
POWER CONSUMPTION						
Positive Supply Current	I _{CC}			12	mA	V _{REF} = 0 V
Negative Supply Current	I _{EE}			12	mA	V _{REF} = 0 V
Power Dissipation	P _{DISS}		80		mW	V _{REF} = 0 V, Codes = all 1
DIGITAL INPUT CHARACTERISTICS						
Logic High ³	V _{IH}	2.4			V	
Logic Low ³	V _{IL}			0.8	V	
Input Current	I _L			±10	μA	
Input Capacitance ²	C _L		8		pF	

ELECTRICAL CHARACTERISTICS TABLE

Description	Symbol	25°C			Units	Conditions
		Min	Typ	Max		
DIGITAL TIMING SPECIFICATIONS (2, 4)						
Address to $\overline{\text{LD}}$ Setup	t_{AS}	70			ns	
Address to $\overline{\text{LD}}$ Hold	t_{AH}	0			ns	
Data to $\overline{\text{LD}}$ Setup	t_{DS}	70			ns	
Data to $\overline{\text{LD}}$ Hold	t_{DH}	0			ns	
$\overline{\text{LD}}$ Pulse Width	t_{LD}	70			ns	
$\overline{\text{PRESET}}$ Pulse Width	t_{PR}	50			ns	

NOTES

- 1 Full Scale Range (FSR) is 3V.
- 2 Guaranteed but not production tested.
- 3 Digital input levels should not go below ground or exceed the positive supply voltage, otherwise damage may occur.
- 4 See Figure 1.
- 5 For reference input pulse: $t_R = t_F \geq 100$ ns.

Specifications are subject to change without notice

ABSOLUTE MAXIMUM RATINGS (TA = +25°C unless otherwise noted)^{1, 2}

V_{CC} to V_{REFN}	+6.5 V	Operating Temperature Range	
V_{EE} to V_{REFN}	-6.5 V	Extended Industrial	-40°C to +85°C
V_{CC} to DGND	+13.0 V	Maximum Junction Temperature	-65°C to 150°C
V_{EE} to DGND	-6.5 V	Storage Temperature	150°C
V_{REF} 1-4 to DGND, V_{REFN}	V_{CC} to V_{EE}	Lead Temperature (Soldering, 10 sec)	+300°C
V_{OUT} 1-4 to DGND, V_{REFN}	V_{CC} to V_{EE}	Package Power Dissipation Rating @ 75°C	
Digital Input & Output Voltage to DGND	-0.5 to V_{DD} +0.5 V	PDIP, SOIC, PLCC	1050mW
		Derates above 75°C	14mW/°C

NOTES:

- 1 Stresses above those listed under "Absolute Maximum Ratings" may cause permanent damage to the device. This is a stress rating only and functional operation at or above this specification is not implied. Exposure to maximum rating conditions for extended periods may affect device reliability.
- 2 Any input pin which can see a value outside the absolute maximum ratings should be protected by Schottky diode clamps (HP5082-2835) from input pin to the supplies. *All inputs have protection diodes* which will protect the device from short transients outside the supplies of less than 100mA for less than 100µs.

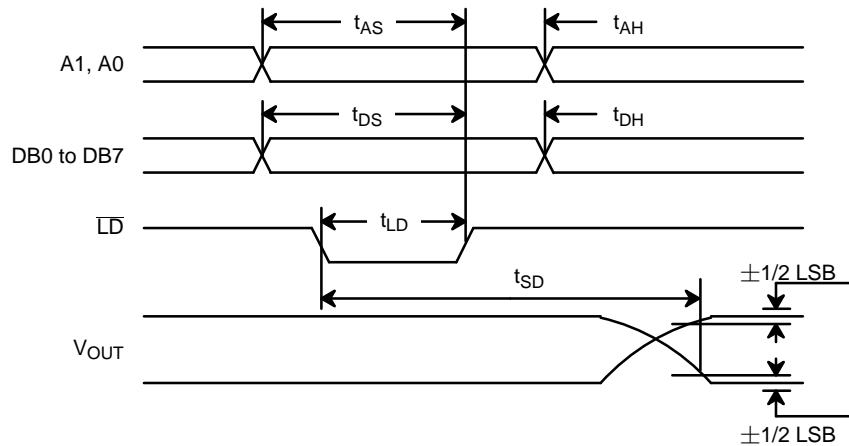


Figure 1. Timing Diagram

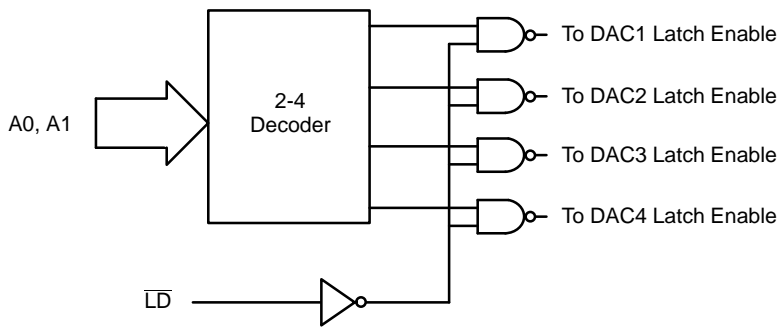


Figure 2. Input Control Logic (Simplified) Block Diagram

\overline{LD}	A1	A0	Operation
L	L	L	DAC1 Transparent
↑	L	L	DAC1 Latched
L	L	H	DAC2 Transparent
↑	L	H	DAC2 Latched
L	H	L	DAC3 Transparent
↑	H	L	DAC3 Latched
L	H	H	DAC4 Transparent
↑	H	H	DAC4 Latched
H	X	X	No Operation

Table 1. Truth Table

D7 MSB	D6	D5	D4	D3	D2	D1	D0 LSB	DAC Output Voltage $V_{O_i} = V_{REFN} + (V_{R_i} - AGND) \left(\frac{D}{256} \right)$
0	0	0	0	0	0	0	0	V_{REFN}
0	0	0	0	0	0	0	1	$(V_{R_i} - V_{REFN}) \left(\frac{1}{256} \right) + V_{REFN}$
⋮	⋮	⋮	⋮	⋮	⋮	⋮	⋮	⋮
1	1	1	1	1	1	1	0	$(V_{R_i} - V_{REFN}) \left(\frac{254}{256} \right) + V_{REFN}$
1	1	1	1	1	1	1	1	$(V_{R_i} - V_{REFN}) \left(\frac{255}{256} \right) + V_{REFN}$

Note: These outputs must be ratioed up for gain in the output amplifier.

**Table 2. DAC Transfer Function
Analog Output vs. Digital Code (With V_{REF} Shorted to INV)**

THEORY OF OPERATION

The MP7643 is a 4-channel multiplying D/A converter that incorporates a novel open loop architecture invented by MPS. The design produces the wider bandwidth, faster settling time, more constant group delay, and a lower noise operation compared to the conventional R-2R based architectures. This device is particularly useful in applications where analog multipliers are used to perform the gain adjustment function for high frequency analog signal conditioning. Analog multipliers produce higher noise and offset. This design allows for digital control of gain with constant and very low noise from the low gain through high gain ranges of operation.

Linearity Characteristics

Each DAC achieves $DNL \leq \pm 0.5$ LSB (typ), $INL \leq \pm 1$ LSB (typ), and gain error $\leq \pm 1.5\%$. Since all 4 channel D/A converters are fabricated on the same IC, the linearity matching and gain matching of $\pm 0.5\%$ (typ) is achieved.

AC and Transient Settling Characteristics

The novel subranging architecture delivers a 15 MHz (typ.) -3 dB bandwidth. With all codes = 1 and a 1.6 V step impulse at $V_{REF}(1-4)$, the analog output settles to 8 bits of accuracy in typically 150 ns (with $R_L = 5k$ to V_{EE}). Also with $V_{REF} = 3$ V or -3 V and a FS to ZS or ZS to FS code change, the respective analog output settles to 8 bits typically in 300 ns. Note that the AC performance specifications also match between all 4 channels. The above AC and transient performance is achieved with each channel consuming only 20 mW (typ.) with either ± 5 V or 0 V to 10 V supplies.

Digital Interface

The MP7643 allows direct interface to most microprocessor buses without additional I/O circuitry. *Figure 1.* and *Figure 2.* describe the operation, specification and interface characteristics of the logic port.

The address bits A0 and A1 determine which D/A channel is selected. When \overline{LD} input is low the respective latch of the D/A is enabled (digital input data becomes transparent to the latch and the selected DAC channel), and digital data is loaded into the selected DAC.

Power Supplies and Voltage Reference DC Voltage Ranges

For the single supply operation, $V_{CC} = +10$ V, $V_{DD} = +5$ V, and $V_{EE} = GND = 0$ V. The V_{OUT} 1-4 and V_{REF} 1-4 range would be $V_{CC} - 1.8$ V ($10 - 1.8 = 8.2$ V) to $V_{EE} + 1.5$ V ($0 + 1.5 = 1.5$ V). V_{REFN} is the equivalent of AGND for this DAC. In this mode V_{REFN} can be set at $(V_{CC} + V_{EE})/2 = (10 + 0)/2 = 5$ V. V_{REFN} DC range can, however, be set from $V_{EE} + 1.5 = 1.5$ V to $V_{CC} - 1.5 = 8.2$ V. Refer to *Table 2.* for the relationship equations.

For the dual supply operation, $V_{CC} = +5$, $V_{DD} = +5$, and $V_{EE} = -5$ V. The V_{OUT} 1-4 and V_{REF} 1-4 range would be $V_{CC} - 1.8$ V ($5 - 1.8 = 3.2$ V) to $V_{EE} + 1.5$ V ($-5 + 1.5 = -3.5$ V). In this mode V_{REFN} can be set to $(V_{CC} + V_{EE})/2 = (5 - 5)/2 = 0$ V. However, V_{REFN} DC range can be set from $V_{EE} + 1.5 = -3.5$ V to $V_{CC} - 1.8 = +3.2$ V. Refer to *Table 2.* for the relationship equations.

About the INV Input and its DC Voltage Range

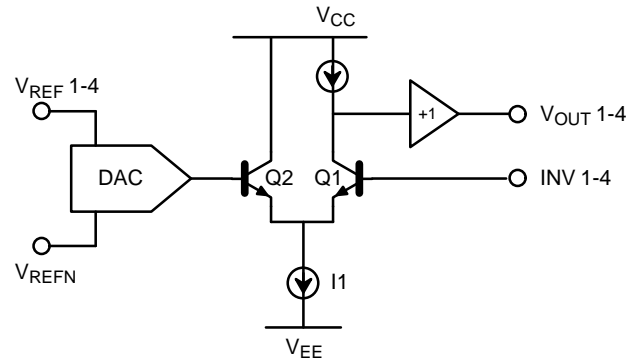
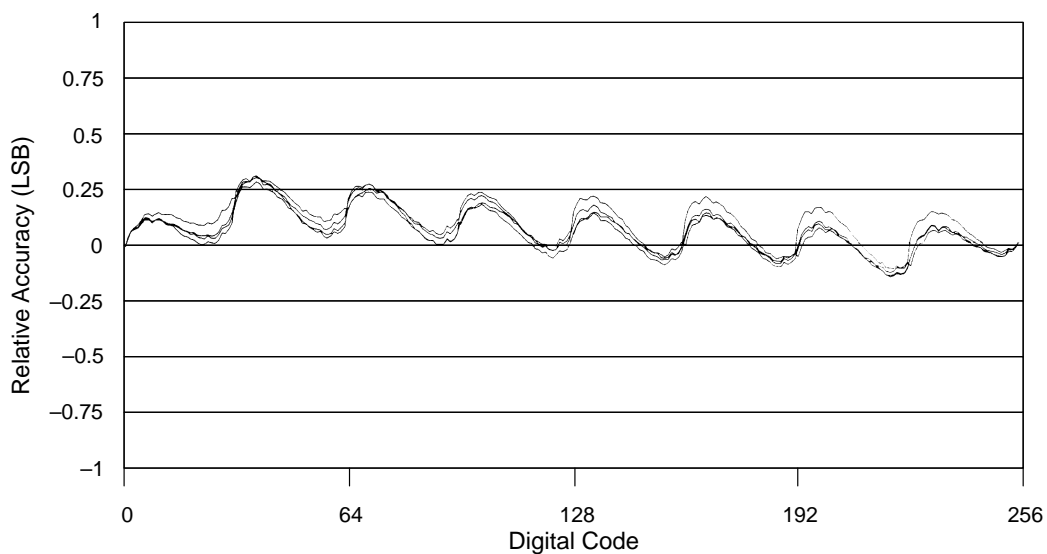


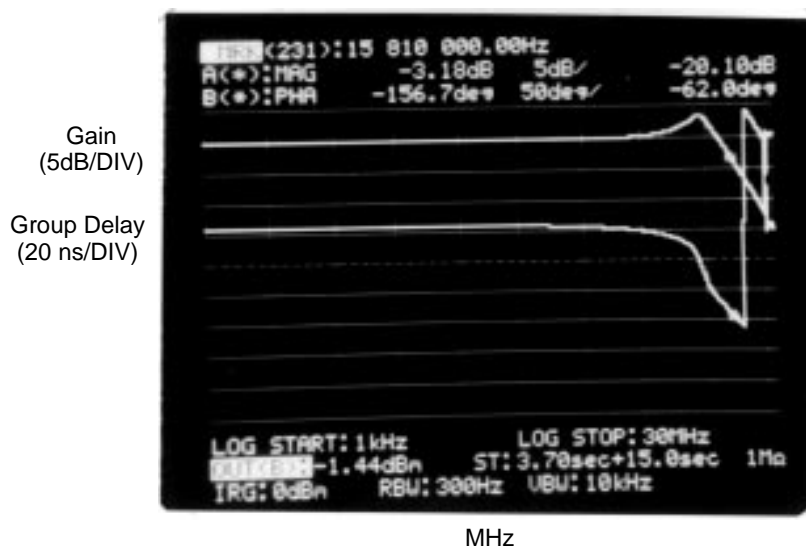
Figure 3. Simplified Block Diagram

As noted in the specification table, the max DC value of the INV input pin is V_O . *Figure 3.* shows a simplified block diagram of the internal circuitry around INV. If V_{INV} exceeds V_O , Q1 will saturate and the amp and consequently the DAC becomes non-functional.

The min DC range of INV is limited to V_{be} (Q1) and V_{CE} (sat) of I_1 . Therefore, INV (min-DC) = $V_{EE} + 1$ V.

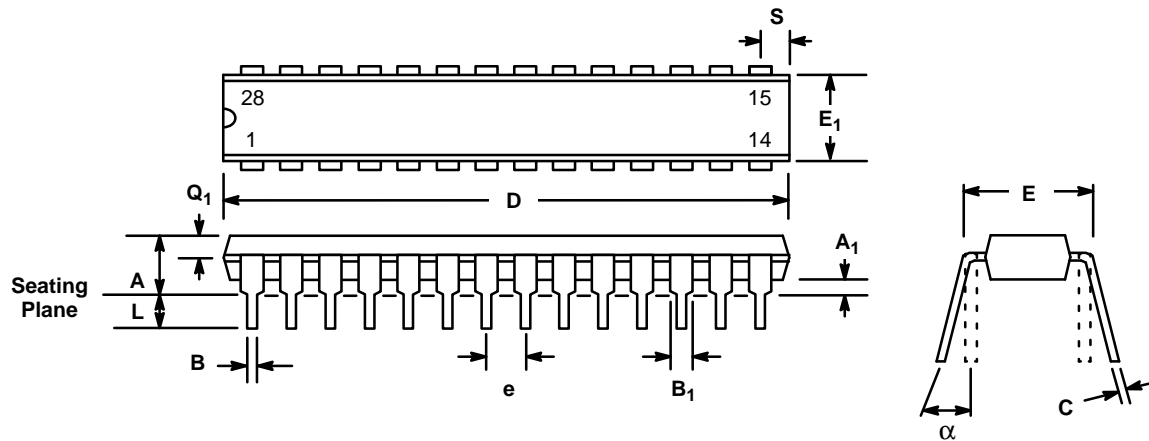


**Graph 1. Relative Accuracy vs. Digital Code
DACs 1 to 4**



**Graph 2. Typical Gain and Group Delay vs. Frequency
(with 5K Resistor Across Output to V_{EE})**

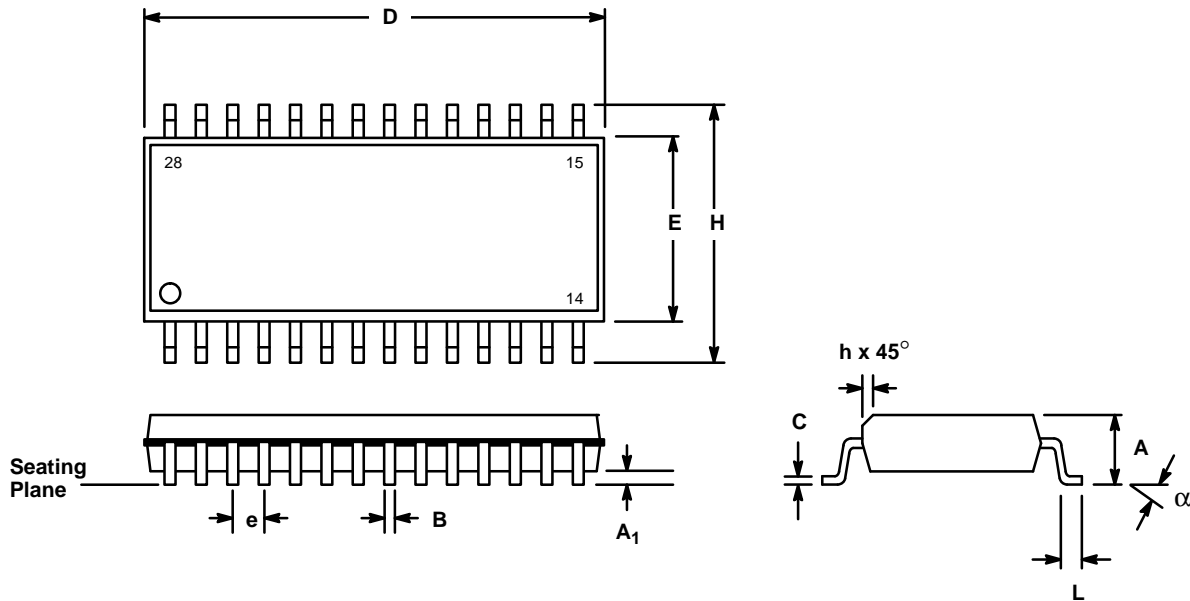
**28 LEAD PLASTIC DUAL-IN-LINE
(300 MIL PDIP)
NN28**



SYMBOL	INCHES		MILLIMETERS	
	MIN	MAX	MIN	MAX
A	0.130	0.230	3.30	5.84
A ₁	0.015	—	0.381	—
B	0.014	0.023	0.356	0.584
B ₁ (1)	0.038	0.065	0.965	1.65
C	0.008	0.015	0.203	0.381
D	1.340	1.485	34.04	37.72
E	0.290	0.325	7.37	8.26
E ₁	0.240	0.310	6.10	7.87
e	0.100 BSC		2.54 BSC	
L	0.115	0.150	2.92	3.81
α	0°	15°	0°	15°
Q ₁	0.055	0.070	1.40	1.78
S	0.020	0.100	0.508	2.54

Note: (1) The minimum limit for dimensions B₁ may be 0.023" (0.58 mm) for all four corner leads only.

28 LEAD SMALL OUTLINE (300 MIL JEDEC SOIC) S28



SYMBOL	INCHES		MILLIMETERS	
	MIN	MAX	MIN	MAX
A	0.097	0.104	2.464	2.642
A1	0.0050	0.0115	0.127	0.292
B	0.014	0.019	0.356	0.483
C	0.0091	0.0125	0.231	0.318
D	0.701	0.711	17.81	18.06
E	0.292	0.299	7.42	7.59
e	0.050 BSC		1.27 BSC	
H	0.400	0.410	10.16	10.41
h	0.010	0.016	0.254	0.406
L	0.016	0.035	0.406	0.889
α	0°	8°	0°	8°

Notes

NOTICE

EXAR Corporation reserves the right to make changes to the products contained in this publication in order to improve design, performance or reliability. EXAR Corporation assumes no responsibility for the use of any circuits described herein, conveys no license under any patent or other right, and makes no representation that the circuits are free of patent infringement. Charts and schedules contains here in are only for illustration purposes and may vary depending upon a user's specific application. While the information in this publication has been carefully checked; no responsibility, however, is assumed for inaccuracies.

EXAR Corporation does not recommend the use of any of its products in life support applications where the failure or malfunction of the product can reasonably be expected to cause failure of the life support system or to significantly affect its safety or effectiveness. Products are not authorized for use in such applications unless EXAR Corporation receives, in writing, assurances to its satisfaction that: (a) the risk of injury or damage has been minimized; (b) the user assumes all such risks; (c) potential liability of EXAR Corporation is adequately protected under the circumstances.

Copyright 1995 EXAR Corporation

Datasheet April 1995

Reproduction, in part or whole, without the prior written consent of EXAR Corporation is prohibited.