

MF1043S-1

FOR GSM MOBILE TELEPHONE, Rx

MF1043S-1

DESCRIPTION

This SAW filter for the receiving RF circuit of GSM mobile communication equipment operating at 935 MHz ~ 960 MHz.

FEATURES

1. SMD package insures small size, lightweight.
2. Adjustment free.
3. Low insertion loss and high stop band attenuation.
4. Wide and sharp passband characteristics.
5. High stability and reliability.
6. Designed for reflow solderings.

APPLICATION

- Mobile Cellular Telephone
- Portable Cellular Telephone
- Wireless equipment

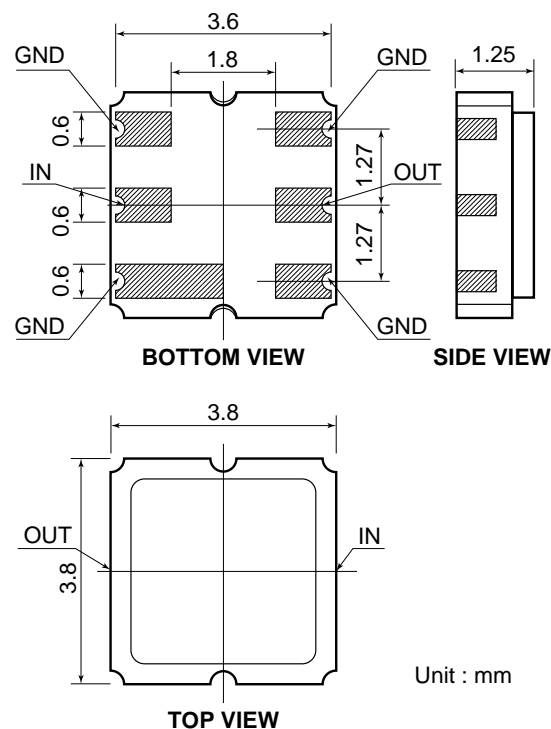
MAXIMUM RATINGS

Rating	Value	Unit
Input Power	50	mW
Operating Temperature Range	-20 to 75	°C
Storage Temperature Range	-30 to 85	°C

ELECTRICAL PERFORMANCE

Parameter	MF1043S-1			Units
	Min	Typ	Max	
PASSBAND FREQUENCY	935 – 960			MHz
PASSBAND CHARACTERISTICS				
Insertion Loss		3.1	3.8	dB
Ripple		0.8	1.5	dBp-p
VSWR		2.0	3.0	
STOPBAND ATTENUATION				
0 – 860 MHz	40	50		dB
860 – 905 MHz	25	42		dB
905 – 915 MHz	20	37		dB
990 – 1040 MHz	20	27		dB
1040 – 1200 MHz	40	50		dB

PACKAGE OUTLINE DIMENSIONS



DIMENSIONS ARE IN MILLIMETERS
±0.2 UNLESS OTHERWISE SPECIFIED

MF1043S-1 TYPICAL CHARACTERISTICS

