

# MC1490

## RF/IF/Audio Amplifier

The MC1490 is an integrated circuit featuring wide-range AGC for use in RF/IF amplifiers and audio amplifiers over the temperature range,  $-40^{\circ}$  to  $+85^{\circ}\text{C}$ .

- High Power Gain: 50 dB Typ at 10 MHz  
45 dB Typ at 60 MHz  
35 dB Typ at 100 MHz
- Wide Range AGC: 60 dB Min, DC to 60 MHz
- 6.0 V to 15 V Operation, Single Polarity Supply
- See MC1350D for Surface Mount

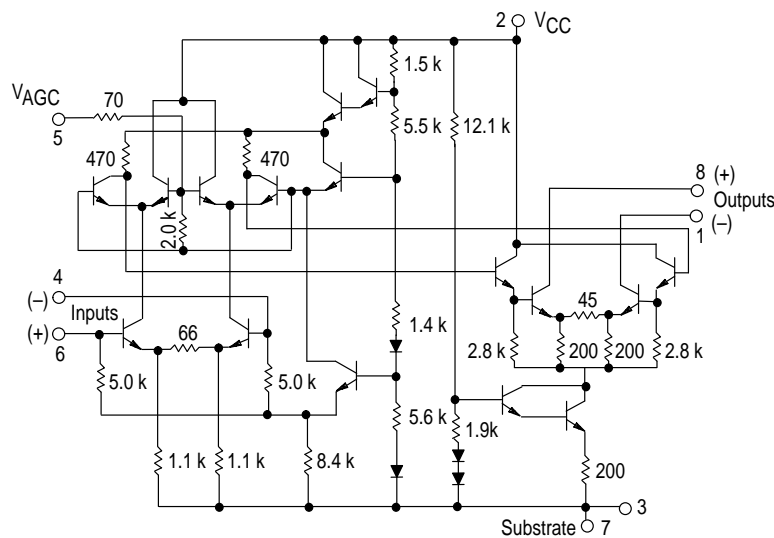
### MAXIMUM RATINGS ( $T_A = +25^{\circ}\text{C}$ , unless otherwise noted.)

Rating	Symbol	Value	Unit
Power Supply Voltage	$V_{CC}$	+18	Vdc
AGC Supply	$V_{AGC}$	$V_{CC}$	Vdc
Input Differential Voltage	$V_{ID}$	5.0	Vdc
Operating Temperature Range	$T_A$	$-40$ to $+85$	$^{\circ}\text{C}$
Storage Temperature Range	$T_{stg}$	$-65$ to $+150$	$^{\circ}\text{C}$
Junction Temperature	$T_J$	+150	$^{\circ}\text{C}$

### ORDERING INFORMATION

Device	Operating Temperature Range	Package
MC1490P	$T_A = -40^{\circ}$ to $+85^{\circ}\text{C}$	Plastic

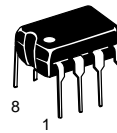
### Representative Schematic Diagram



Pins 3 and 7 should both be connected to circuit ground.

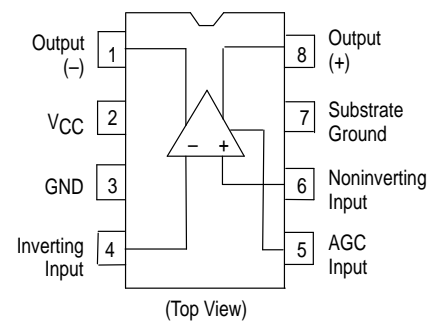
## WIDEBAND AMPLIFIER WITH AGC

### SEMICONDUCTOR TECHNICAL DATA



**P SUFFIX**  
PLASTIC PACKAGE  
CASE 626

### PIN CONNECTIONS



### SCATTERING PARAMETERS

( $V_{CC} = +12\text{ Vdc}$ ,  $T_A = +25^{\circ}\text{C}$ ,  $Z_0 = 50\ \Omega$ )

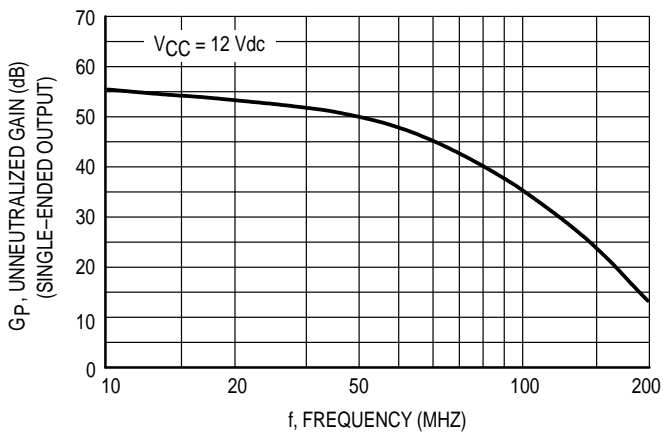
Parameter	Symbol	f = MHz Typ		Unit
		30	60	
Input Reflection Coefficient	$ S_{11} $ $\theta_{11}$	0.95 -7.3	0.93 -16	- deg
Output Reflection Coefficient	$ S_{22} $ $\theta_{22}$	0.99 -3.0	0.98 -5.5	- deg
Forward Transmission Coefficient	$ S_{21} $ $\theta_{21}$	16.8 128	14.7 64.3	- deg
Reverse Transmission Coefficient	$S_{12}$ $\theta_{12}$	0.00048 84.9	0.00092 79.2	- deg

# MC1490

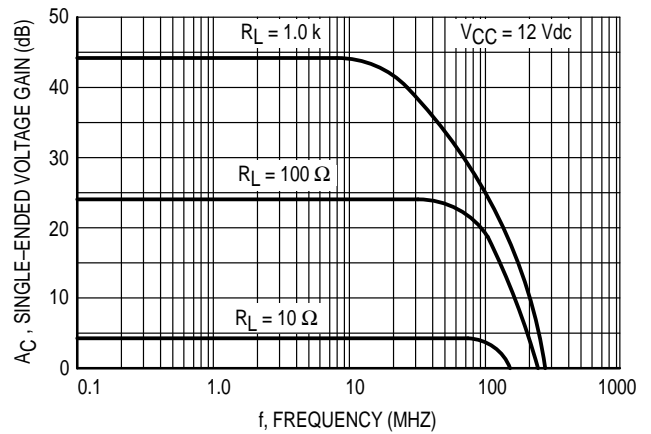
## ELECTRICAL CHARACTERISTICS ( $V_{CC} = 12 \text{ Vdc}$ , $f = 60 \text{ MHz}$ , $BW = 1.0 \text{ MHz}$ , $T_A = 25^\circ\text{C}$ )

Characteristic	Figure	Symbol	Min	Typ	Max	Unit
Power Supply Current Drain	–	$I_{CC}$	–	–	17	mA
AGC Range (AGC) 5.0 V Min to 7.0 V Max	19	$M_{AGC}$	–60	–	–	dB
Output Stage Current (Sum of Pins 1 and 8)	–	$I_O$	4.0	–	7.5	mA
Single-Ended Power Gain $R_S = R_L = 50 \Omega$	19	$G_P$	40	–	–	dB
Noise Figure $R_S = 50 \text{ Ohms}$	19	NF	–	6.0	–	dB
Power Dissipation	–	$P_D$	–	168	204	mW

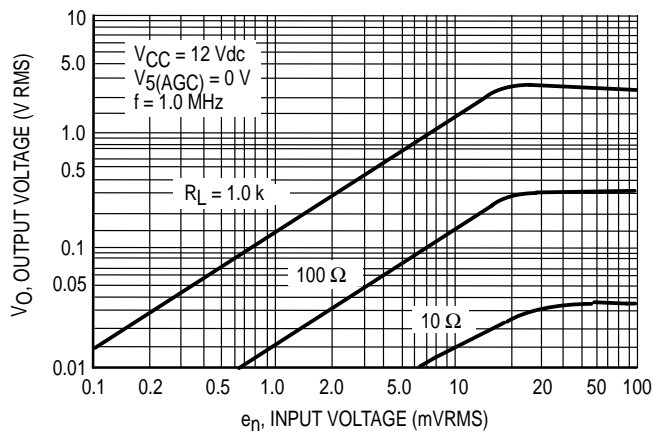
**Figure 1. Unneutralized Power Gain versus Frequency (Tuned Amplifier, See Figure 19)**



**Figure 2. Voltage Gain versus Frequency (Video Amplifier, See Figure 20)**



**Figure 3. Dynamic Range: Output Voltage versus Input Voltage (Video Amplifier, See Figure 20)**



**Figure 4. Voltage Gain versus Frequency (Video Amplifier, See Figure 20)**

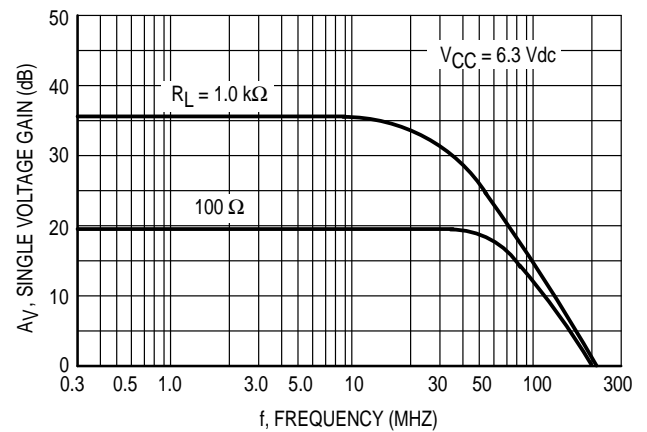


Figure 5. Voltage Gain and Supply Current versus Supply Voltage (Video Amplifier, See Figure 20)

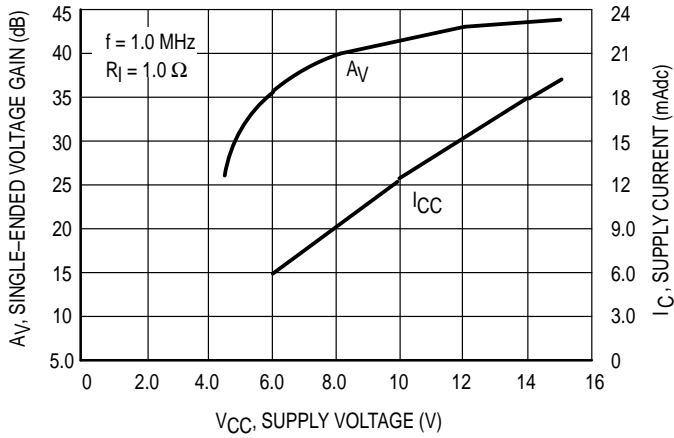


Figure 6. Typical Gain Reduction versus AGC Voltage

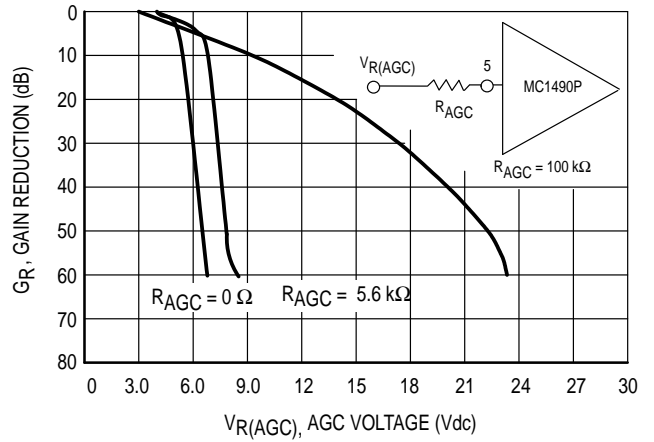


Figure 7. Typical Gain Reduction versus AGC Current

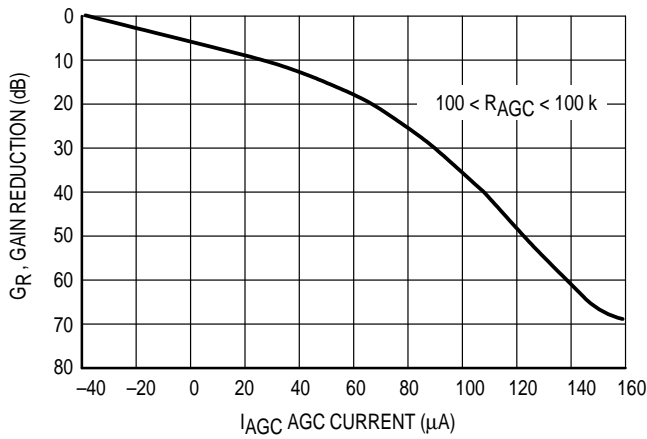


Figure 8. Fixed Tuned Power Gain Reduction versus Temperature (See Test Circuit, Figure 19)

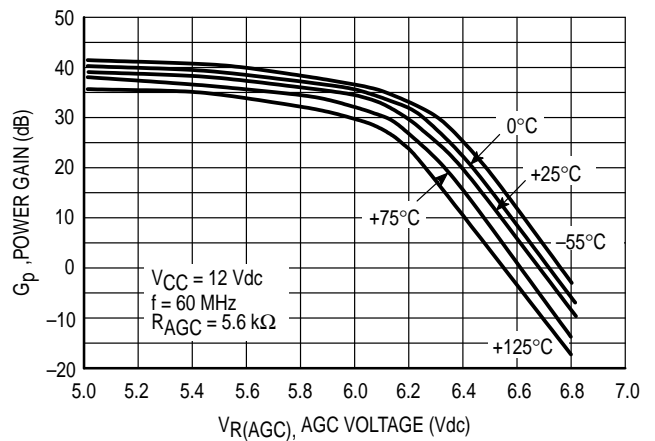


Figure 9. Power Gain versus Supply Voltage (See Test Circuit, Figure 19)

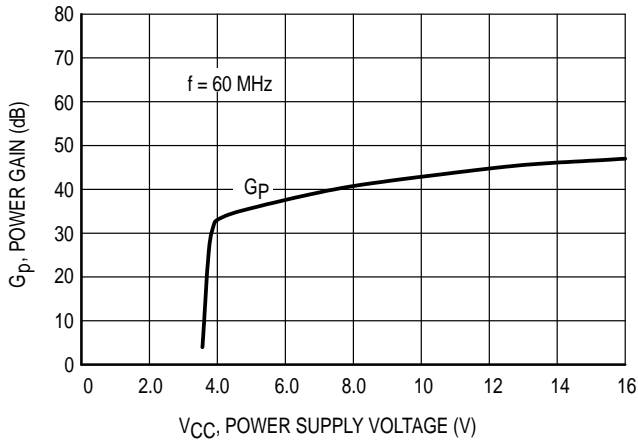


Figure 10. Noise Figure versus Frequency

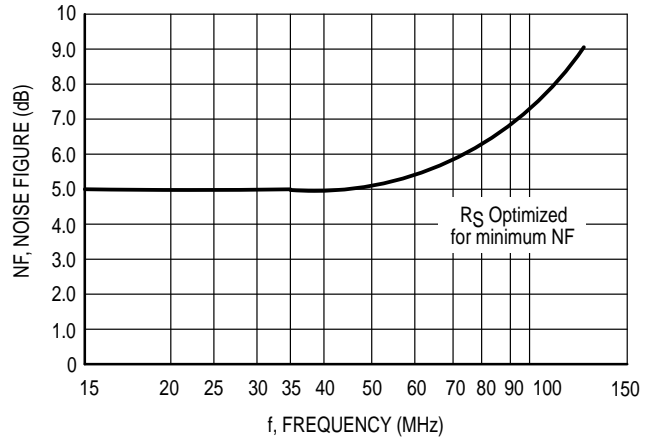


Figure 11. Noise Figure versus Source Resistance

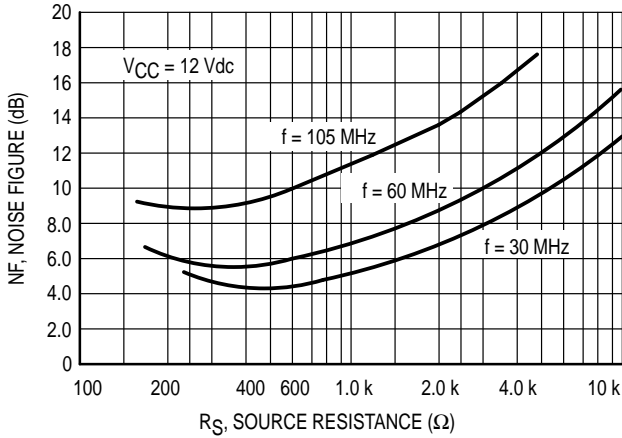


Figure 12. Noise Figure versus AGC Gain Reduction

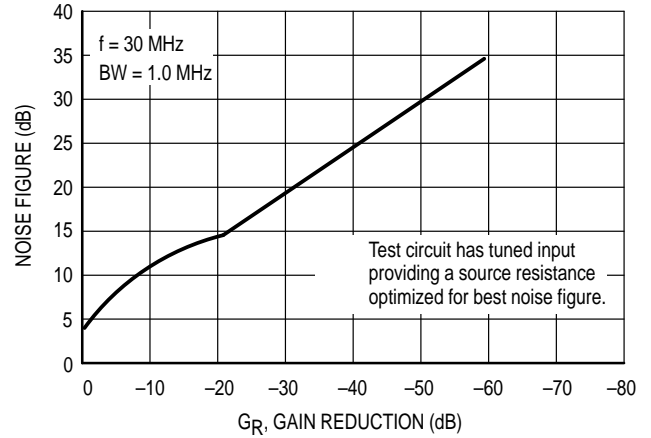


Figure 13. Harmonic Distortion versus AGC Gain Reduction for AM Carrier (For Test Circuit, See Figure 14)

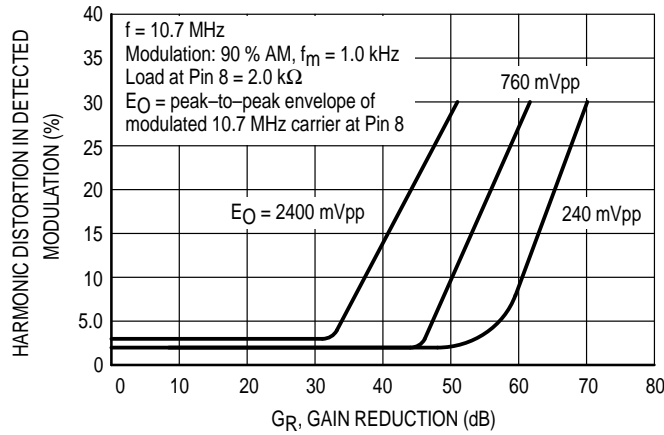


Figure 14. 10.7 MHz Amplifier Gain ≈ 55 dB, BW ≈ 100 kHz

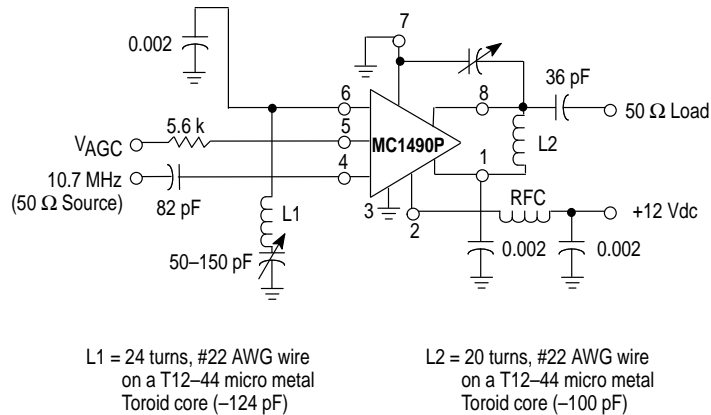


Figure 15.  $S_{11}$  and  $S_{22}$ , Input and Output Reflection Coefficient

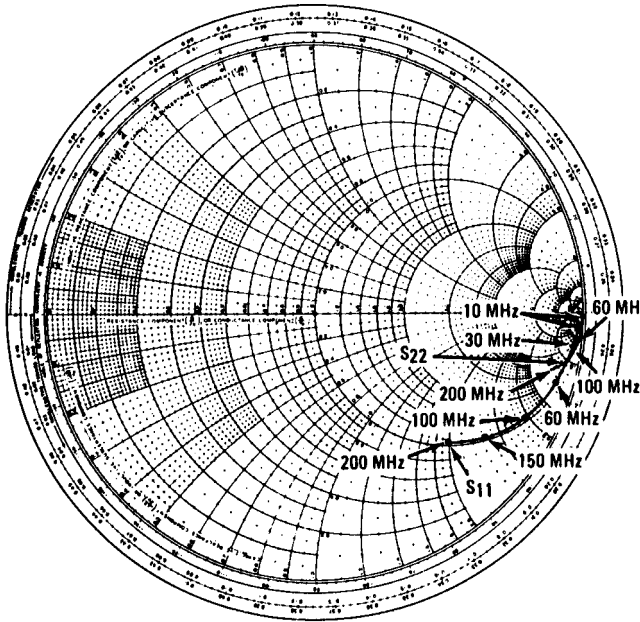


Figure 16.  $S_{11}$  and  $S_{22}$ , Input and Output Reflection Coefficient

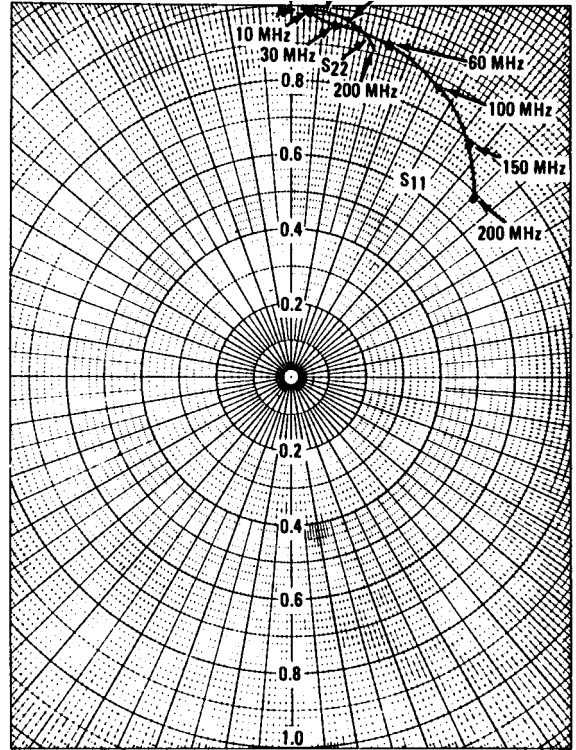


Figure 17.  $S_{21}$ , Forward Transmission Coefficient (Gain)

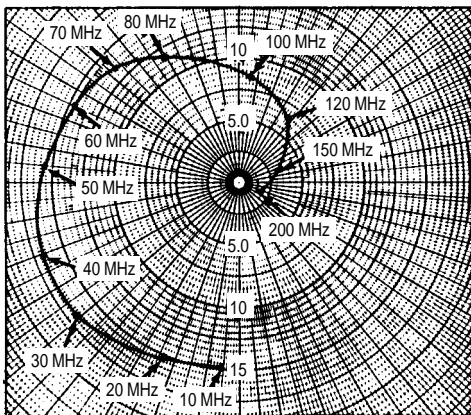
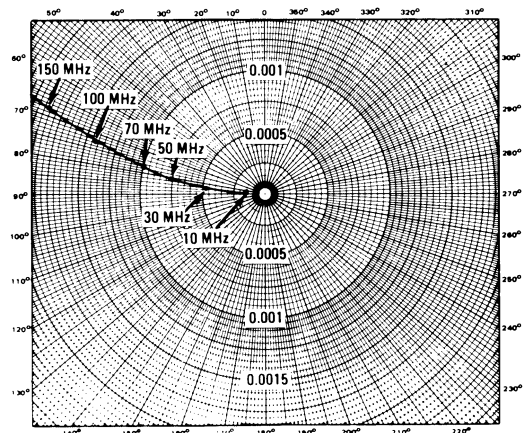
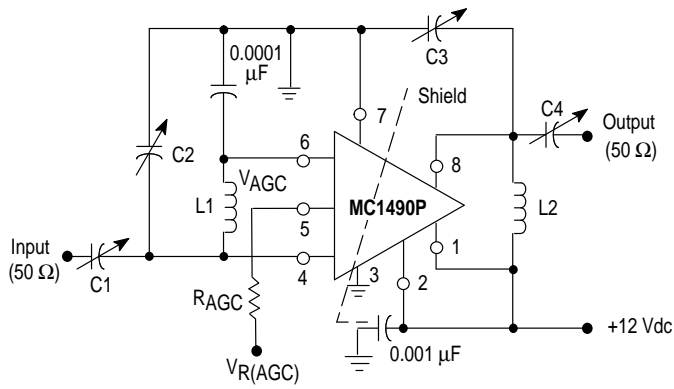


Figure 18.  $S_{12}$ , Reverse Transmission Coefficient (Feedback)



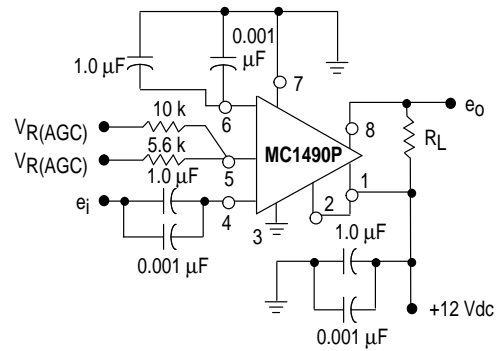
# MC1490

**Figure 19. 60 MHz Power Gain Test Circuit**

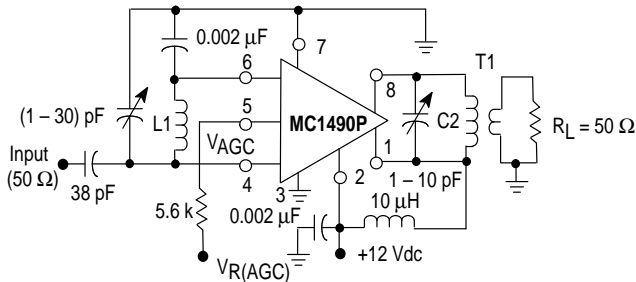


L1 = 7 turns, #20 AWG wire, 5/16" Dia., 5/8" long  
 L2 = 6 turns, #14 AWG wire, 9/16" Dia., 3/4" long  
 C1, C2, C3 = (1-30) pF  
 C4 = (1-10) pF

**Figure 20. Video Amplifier**

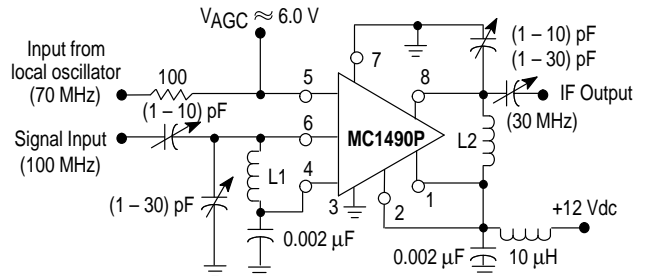


**Figure 21. 30 MHz Amplifier  
 (Power Gain = 50 dB, BW ≈ 1.0 MHz)**



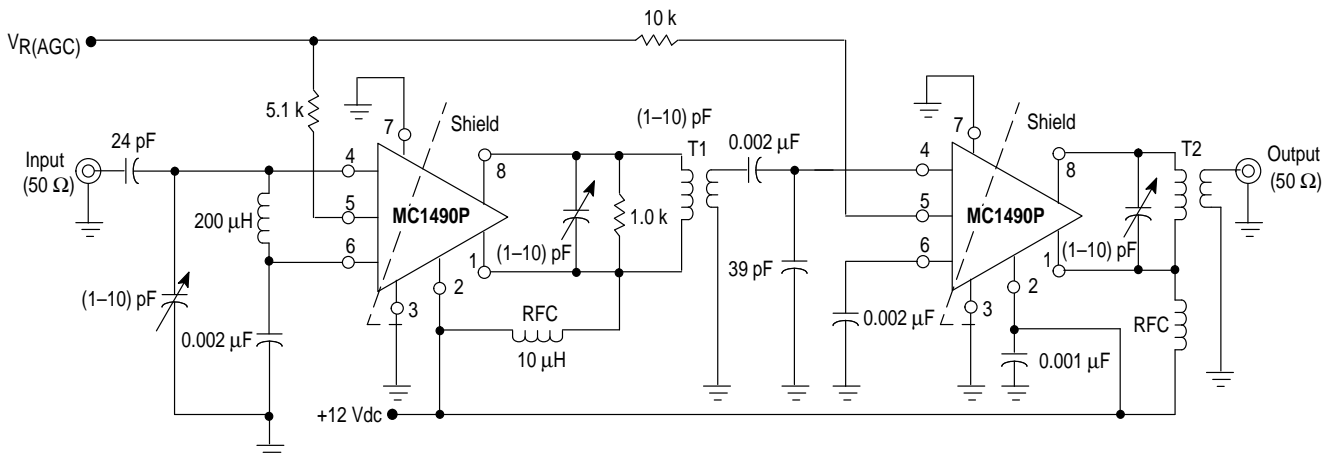
L1 = 12 turns, #22 AWG wire on a Toroid core,  
 (T37-6 micro metal or equiv).  
 T1: Primary = 17 turns, #20 AWG wire on a Toroid core, (T44-6).  
 Secondary = 2 turns, #20 AWG wire.

**Figure 22. 100 MHz Mixer**



L1 = 5 turns, #16 AWG wire, 1/4", ID Dia., 5/8" long  
 L2 = 16 turns, #20 AWG wire on a Toroid core, (T44-6).

**Figure 23. Two-Stage 60 MHz IF Amplifier (Power Gain ≈ 80 dB, BW ≈ 1.5 MHz)**



T1: Primary Winding = 15 turns, #22 AWG wire, 1/4" ID Air Core  
 Secondary Winding = 4 turns, #22 AWG wire,  
 Coefficient of Coupling ≈ 1.0

T2: Primary Winding = 10 turns, #22 AWG wire, 1/4" ID Air Core  
 Secondary Winding = 2 turns, #22 AWG wire,  
 Coefficient of Coupling ≈ 1.0

# MC1490

## DESCRIPTION OF SPEECH COMPRESSOR

The amplifier drives the base of a PNP transistor operating common-emitter with a voltage gain of approximately 20. The control R1 varies the quiescent Q point of this transistor so that varying amounts of signal exceed the level  $V_r$ . Diode D1 rectifies the positive peaks of Q1's output only when these peaks are greater than  $V_r \approx 7.0$  V. The resulting output is filtered by  $C_x$ ,  $R_x$ .

$R_x$  controls the charging time constant or attack time.  $C_x$  is involved in both charge and discharge. R2 (the 150 k $\Omega$  and input resistance of the emitter-follower Q2) controls the decay time. Making the decay long and attack short is accomplished by making  $R_x$  small and R2 large. (A Darlington emitter-follower may be needed if extremely slow decay times are required.)

The emitter-follower Q2 drives the AGC Pin 5 of the MC1490P and reduces the gain. R3 controls the slope of signal compression.

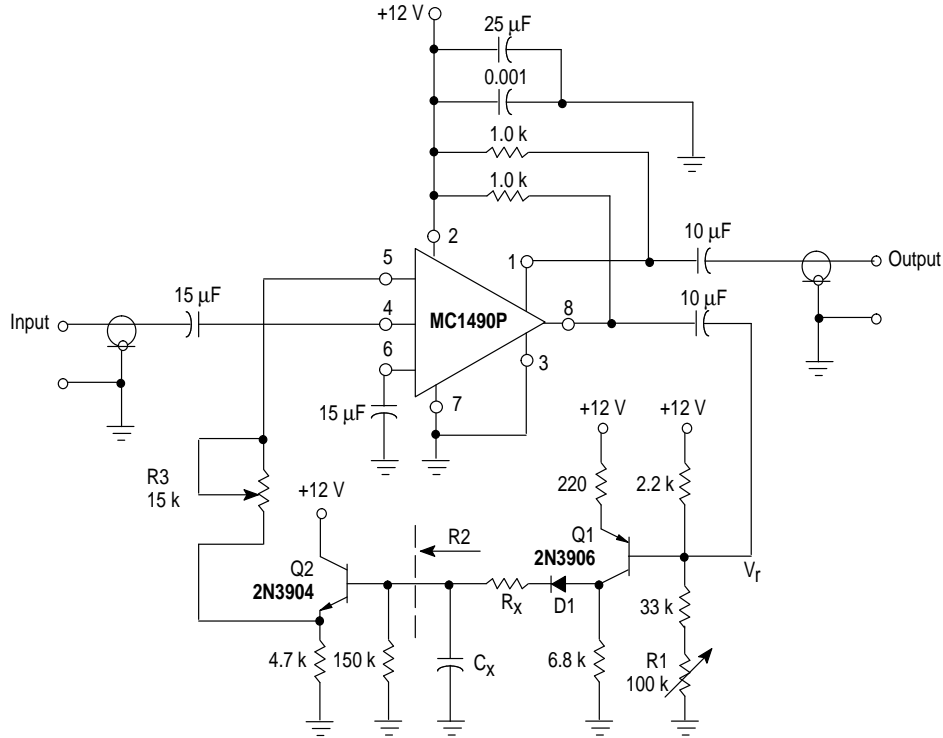
Table 1. Distortion versus Frequency

Frequency	Distortion		Distortion	
	10 mV $e_i$	100 mV $e_i$	10 mV $e_i$	100 mV $e_i$
100 Hz	3.5%	12%	15%	27%
300 Hz	2%	10%	6%	20%
1.0 kHz	1.5%	8%	3%	9%
10 kHz	1.5%	8%	1%	3%
100 kHz	1.5%	8%	1%	3%
	Notes 1 and 2		Notes 3 and 4	

**Notes:** (1) Decay = 300 ms  
Attack = 20 ms  
(2)  $C_x = 7.5 \mu\text{F}$   
 $R_x = 0$  (Short)

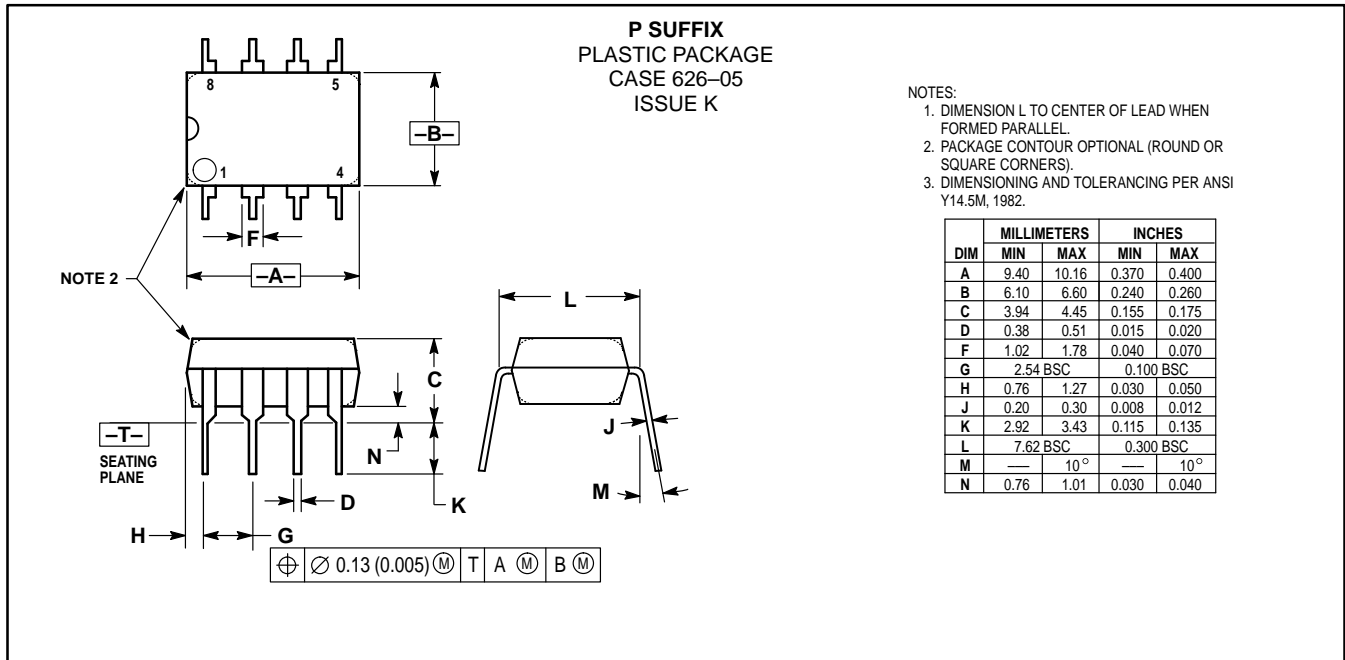
(3) Decay = 20 ms  
Attack = 3.0 ms  
(4)  $C_x = 0.68 \mu\text{F}$   
 $R_x = 1.5 \text{ k}\Omega$

Figure 24. Speech Compressor



# MC1490

## OUTLINE DIMENSIONS



Motorola reserves the right to make changes without further notice to any products herein. Motorola makes no warranty, representation or guarantee regarding the suitability of its products for any particular purpose, nor does Motorola assume any liability arising out of the application or use of any product or circuit, and specifically disclaims any and all liability, including without limitation consequential or incidental damages. "Typical" parameters which may be provided in Motorola data sheets and/or specifications can and do vary in different applications and actual performance may vary over time. All operating parameters, including "Typicals" must be validated for each customer application by customer's technical experts. Motorola does not convey any license under its patent rights nor the rights of others. Motorola products are not designed, intended, or authorized for use as components in systems intended for surgical implant into the body, or other applications intended to support or sustain life, or for any other application in which the failure of the Motorola product could create a situation where personal injury or death may occur. Should Buyer purchase or use Motorola products for any such unintended or unauthorized application, Buyer shall indemnify and hold Motorola and its officers, employees, subsidiaries, affiliates, and distributors harmless against all claims, costs, damages, and expenses, and reasonable attorney fees arising out of, directly or indirectly, any claim of personal injury or death associated with such unintended or unauthorized use, even if such claim alleges that Motorola was negligent regarding the design or manufacture of the part. Motorola and are registered trademarks of Motorola, Inc. Motorola, Inc. is an Equal Opportunity/Affirmative Action Employer.

**How to reach us:**

**USA/EUROPE/Locations Not Listed:** Motorola Literature Distribution; P.O. Box 20912; Phoenix, Arizona 85036. 1-800-441-2447 or 602-303-5454

**JAPAN:** Nippon Motorola Ltd.; Tatsumi-SPD-JLDC, 6F Seibu-Butsuryu-Center, 3-14-2 Tatsumi Koto-Ku, Tokyo 135, Japan. 03-81-3521-8315

**MFAX:** RMFAX0@email.sps.mot.com – TOUCHTONE 602-244-6609  
**INTERNET:** http://Design-NET.com

**ASIA/PACIFIC:** Motorola Semiconductors H.K. Ltd.; 8B Tai Ping Industrial Park, 51 Ting Kok Road, Tai Po, N.T., Hong Kong. 852-26629298

