

# 32-bit Microcontroller

CMOS

## FR60Lite MB91230 Series

### MB91233L/MB91F233/MB91F233L/MB91V230

#### ■ DESCRIPTION

The MB91230 series is a line of standard microcontrollers, based on a 32-bit high-performance RISC CPU and containing variety of I/O resources, for embedded control applications which require high CPU performance at high speed processing.

Audio motor control storage : Designed to specifications for embedded control applications which high CPU performance power processing.

The MB91230 series belongs to the FR60Lite family.

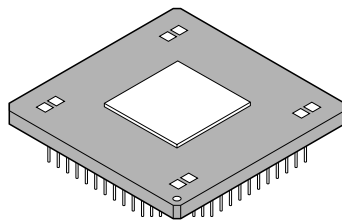
#### ■ FEATURES

- 32-bit RISC, load/store architecture with a 5 stage pipeline
- Maximum operating frequency: 33.6 MHz (oscillation frequency = 4.2 MHz, oscillation frequency 8-multiplier (PLL clock multiplication method) )
- 16-bit fixed length instructions (basic instructions)
- Execution speed of instructions : 1 instruction per cycle

(Continued)

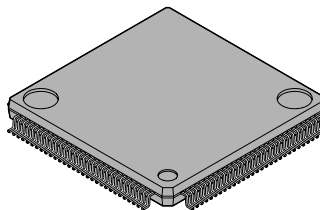
#### ■ PACKAGES

401-pin Ceramic PGA



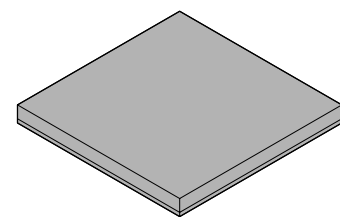
(PGA-401C-A02)

120-pin Plastic LQFP



(FPT-120P-M05)

128-pin plastic FLGA



(LGA-128P-M01)

# MB91230 Series

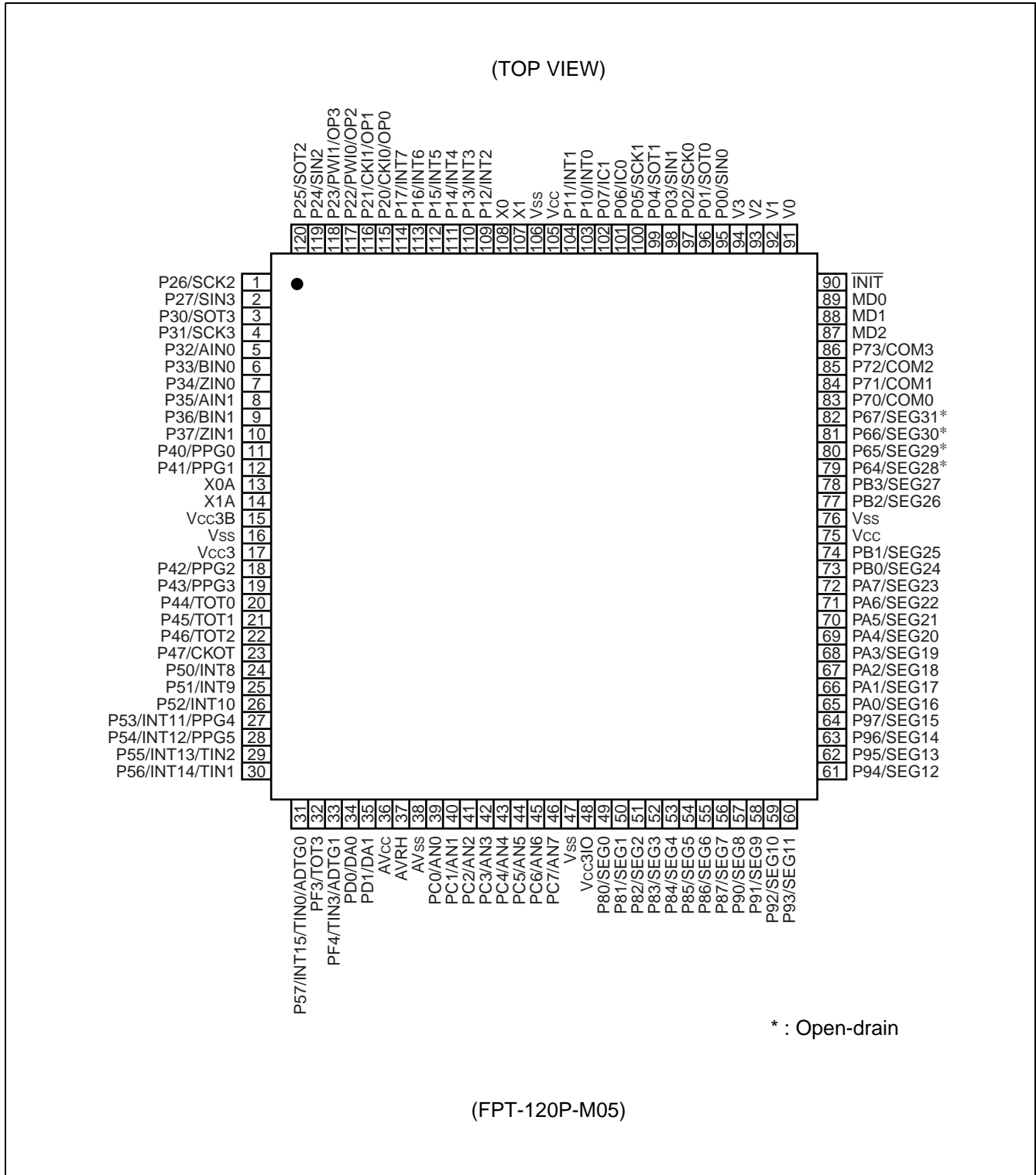
(Continued)

- Memory-to-memory transfer, bit handling, and barrel shift instructions, etc. : Instructions suitable for embedded applications
- Function entry/exit instructions, multiple-register load/store instructions : Instructions adapted for C-language
- Register interlock function : Facilitates coding in assembler
- Built-in multiplier with instruction-level support
  - 32-bit multiplication with sign : 5 cycles
  - 16-bit multiplication with sign : 3 cycles
- Interrupt (PC and PS save) : 6 cycles (16 priority levels)
- Harvard architecture allowing program access and data access to be executed simultaneously
- Instruction compatible with FR family
- Capacity of built-in ROM and ROM type
  - MASK ROM : 256 KB
  - FLASH ROM : 256 KB
- Capacity of built-in RAM : 16 KB
- General-purpose ports : Maximum 98 ports (including N-ch open-drain port : 4 ports)
- A/D converter (series-parallel type)
  - Resolution : 10-bit : 8 ch (4 ch  $\times$  2 unit)
  - Conversion time : 1.69  $\mu$ s (Minimum conversion time)
- D/A converter (R-2R type)
  - Resolution : 8-bit : 2 ch (independence)
  - Conversion speed : 0.6  $\mu$ s (when load capacitance 20 pF)
- External interrupt input : 16 ch
- Bit search module (for REALOS)
  - Function for searching the MSB (Upper bit) in each word for the first "0" or "1" inverted point
- UART (full-duplex double buffer) : 4 ch
  - Selectable parity On/Off
  - Asynchronous (start-stop synchronized) or clock-synchronous communications selectable
  - Internal timer for dedicated baud rate (U-timer) on each channel
  - External clock can be used as transfer clock
  - Error detection function for parity, frame and overrun
- PPG : 16-bit  $\times$  6 ch
- Up/down counter : 2 ch (8-bit  $\times$  2 ch or 16-bit  $\times$  1 ch)
- Reload timer : 16-bit  $\times$  4 ch
- Free-run timer : 16-bit  $\times$  2 ch
- Watch timer : 15-bit  $\times$  1 ch
- PWC : 8-bit  $\times$  2 ch
- Input capture : 2 ch (interface with free-run timer 0)
- Output compare : 4 ch (free-run timer 0 and output compare unit 0/1 cooperate, free-run timer 1 and output compare units 2/3)
- LCD controller : SEG00 to SEG31/COM0 to COM3 (also serving as a port)
- Clock monitor (peripheral clock output function) : 1 ch
- Timebase/watchdog timer (26-bit)
- Real-time clock (counting even with the real-time clock stopped)
- Low Power Consumption Mode
- Sleep/stop function
- Package : LQFP-120, FLGA-128
- Technology : CMOS 0.35  $\mu$ m
- Power supply
- Dual power supply configuration [internal logic 3.3 V, I/O 5.5 V(3.3 V for ADC and DAC input/output)]

Note : Do not set the external bus mode in which the MB91230 series cannot operate.

## PIN ASSIGNMENT

- MB91233L, MB91F233, MB91F233L

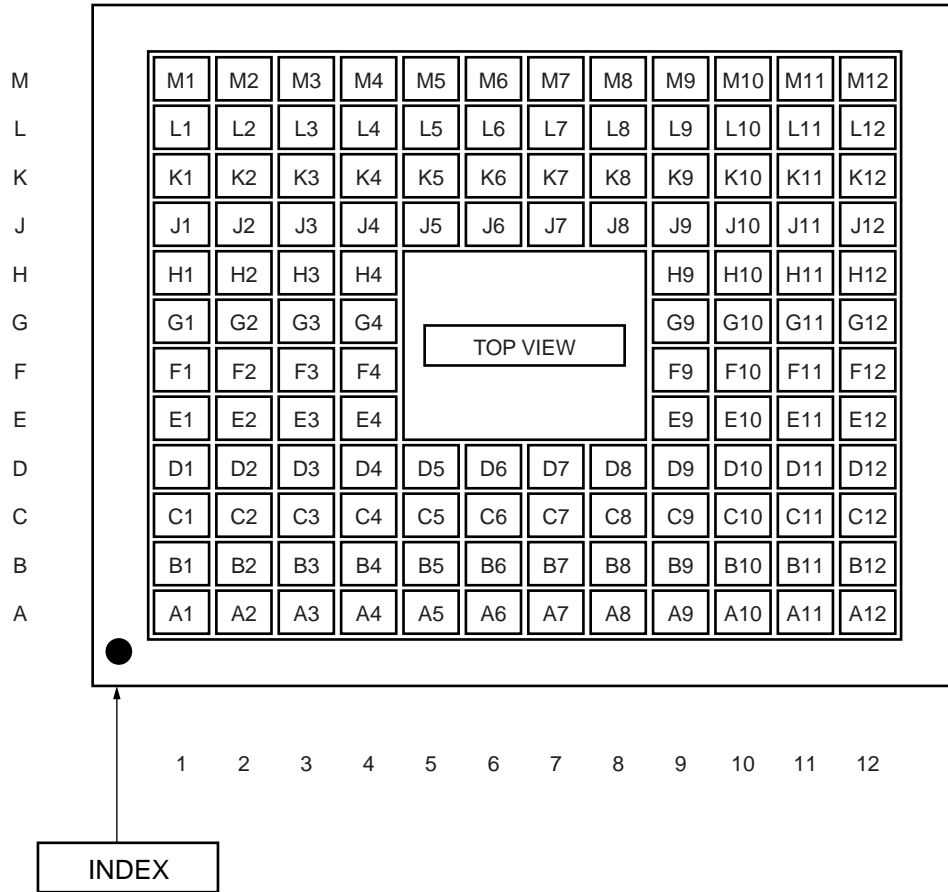


(Continued)

# MB91230 Series

(Continued)

• MB91F233L



(LGA-128P-M01)

# MB91230 Series

Pin correspondence table of LQFP-120 and FLGA-128 in MB91230 series (LGA-128P-M01)

LQFP-120 No.	FLGA-128 No. (JEDEC No.)	Signal name	LQFP-120 No.	FLGA-128 No. (JEDEC No.)	Signal name	LQFP-120 No.	FLGA-128 No. (JEDEC No.)	Signal name
1	A1	P26/SCK2	98	C9	P03/SIN1	18	G1	P42/PPG2
120	A2	P25/SOT2	93	C10	V2	15	G2	V <sub>cc</sub> 3B
117	A3	P22/PWI0/ OP2	85	C11	P72/COM2	*2	G3*4	V <sub>cc</sub> 3*4
114	A4	P17/INT7	87	C12	MD2	17	G4	V <sub>cc</sub> 3
—	A5	*5	10	D1	P37/ZIN1	71	G9	PA6/ SEG22
109	A6	P12/INT2	6	D2	P33/BIN0	75	G10	V <sub>cc</sub>
107	A7	X1	8	D3	P35/AIN1	74	G11	PB1/ SEG25
103	A8	P10/INT0	119	D4	P24/SIN2	77	G12	PB2/ SEG26
100	A9	P05/SCK1	111	D5	P14/INT4	21	H1	P45/TOT1
97	A10	P02/SCK0	—	D6	*5	19	H2	P43/PPG3
94	A11	V3	101	D7	P06/IC0	23	H3	P47/CKOT
91	A12	V0	95	D8	P00/SIN0	20	H4	P44/TOT0
4	B1	P31/SCK3	89	D9	MD0	65	H9	PA0/ SEG16
118	B2	P23/PWI1/ OP3	86	D10	P73/COM3	72	H10	PA7/ SEG23
115	B3	P20/CKI0/ OP0	82	D11	P67/ SEG31*1	69	H11	PA4/ SEG20
112	B4	P15/INT5	84	D12	P71/COM1	73	H12	PB0/ SEG24
110	B5	P13/INT3	13	E1	X0A	24	J1	P50/INT8
106	B6	V <sub>ss</sub>	9	E2	P36/BIN1	22	J2	P46/TOT2
104	B7	P11/INT1	12	E3	P41/PPG1	26	J3	P52/INT10
99	B8	P04/SOT1	5	E4	P32/AIN0	29	J4	P55/INT13/ TIN2
96	B9	P01/SOT0	81	E9	P66/ SEG30*1	35	J5	PD1/DA1
92	B10	V1	83	E10	P70/COM0	40	J6	PC1/AN1
88	B11	MD1	80	E11	P65/ SEG29*1	47	J7	V <sub>ss</sub>
90	B12	$\overline{\text{INIT}}$	—	E12	*5	50	J8	P81/SEG1

(Continued)

# MB91230 Series

(Continued)

LQFP-120 No.	FLGA-128 No. (JEDEC No.)	Signal name	LQFP-120 No.	FLGA-128 No. (JEDEC No.)	Signal name	LQFP-120 No.	FLGA-128 No. (JEDEC No.)	Signal name
7	C1	P34/ZIN0	16	F1	V <sub>SS</sub>	59	J9	P92/SEG10
2	C2	P27/SIN3	—	F2	*5	68	J10	PA3/SEG19
3	C3	P30/SOT3	14	F3	X1A	66	J11	PA1/SEG17
116	C4	P21/CK11/OP1	11	F4	P40/PPG0	70	J12	PA5/SEG21
113	C5	P16/INT6	78	F9	PB3/SEG27	27	K1	P53/INT11/PPG4
108	C6	X0	79	F10	P64/SEG28*1	25	K2	P51/INT9
105	C7	V <sub>CC</sub>	76	F11	V <sub>SS</sub>	33	K3	PF4/TIN3/ADTG1
102	C8	P07/IC1	—	F12	*5	38	K4	AV <sub>SS</sub>
41	K5	PC2/AN2	36	L4	AV <sub>CC</sub>	37	M3	AVRH
44	K6	PC5/AN5	*3	L5*4	AVRL*4	39	M4	PC0/AN0
48	K7	V <sub>CC</sub> 3IO	43	L6	PC4/AN4	42	M5	PC3/AN3
53	K8	P84/SEG4	45	L7	PC6/AN6	46	M6	PC7/AN7
56	K9	P87/SEG7	49	L8	P80/SEG0	—	M7	*5
63	K10	P96/SEG14	52	L9	P83/SEG3	51	M8	P82/SEG2
62	K11	P95/SEG13	55	L10	P86/SEG6	54	M9	P85/SEG5
67	K12	PA2/SEG18	58	L11	P91/SEG9	57	M10	P90/SEG8
30	L1	P56/INT14/TIN1	64	L12	P97/SEG15	60	M11	P93/SEG11
28	L2	P54/INT12/PPG5	31	M1	P57/INT15/TIN0/ADTG0	61	M12	P94/SEG12
32	L3	PF3/TOT3	34	M2	PD0/DA0			

\*1 : Open-drain

\*2 : Connected to pin 17(V<sub>CC</sub>3) on the LQFP120 version

\*3 : Connected to pin 38(AV<sub>SS</sub>) on the LQFP120 version

\*4 : Signals added to the FLGA version

\*5 : NC pin on the FLGA version

## ■ PIN DESCRIPTION

Pin no.		Pin name	Circuit type	Description
LQFP	FLGA			
1	A1	SCK2	D	UART2 clock input/output. This function is valid when corresponding bit of PFR2 register is set to peripheral function.
		P26		General purpose input/output port. This function is valid when corresponding bit of PFR2 register is set to port function.
2	C2	SIN3	D	UART3 data input. When using this function, corresponding bit of DDR2 register is set to input.
		P27		General purpose input/output port. This function is always valid.
3	C3	SOT3	B	UART3 data output. This function is valid when corresponding bit of PFR3 register is set to peripheral function.
		P30		General purpose input/output port. This function is valid when corresponding bit of PFR3 register is set to port function.
4	B1	SCK3	B	UART3 clock input/output. This function is valid when corresponding bit of PFR3 register is set to peripheral function.
		P31		General purpose input/output port. This function is valid when corresponding bit of PFR3 register is set to port function.
5	E4	AIN0	B	Up/down counter 0 AIN input. When using this function, corresponding bit of DDR3 register is set to input.
		P32		General purpose input/output port. This function is always valid.
6	D2	BIN0	B	Up/down counter 0 BIN input. When using this function, corresponding bit of DDR3 register is set to input.
		P33		General purpose input/output port. This function is always valid.
7	C1	ZIN0	B	Up/down counter 0 ZIN input. When using this function, corresponding bit of DDR3 register is set to input.
		P34		General purpose input/output port. This function is always valid.
8	D3	AIN1	B	Up/down counter 1 AIN input. When using this function, corresponding bit of DDR3 register is set to input.
		P35		General purpose input/output port. This function is always valid.

(Continued)

# MB91230 Series

Pin no.		Pin name	Circuit type	Description
LQFP	FLGA			
9	E2	BIN1	B	Up/down counter 1 BIN input. When using this function, corresponding bit of DDR3 register is set to input.
		P36		General purpose input/output port. This function is always valid.
10	D1	ZIN1	B	Up/down counter 1 ZIN input. When using this function, corresponding bit of DDR3 register is set to input.
		P37		General purpose input/output port. This function is always valid.
11	F4	PPG0	D	PPG0 output. This function is valid when corresponding bit of PFR4 register is set to peripheral function.
		P40		General purpose input/output port. This function is valid when corresponding bit of PFR4 register is set to port function.
12	E3	PPG1	D	PPG1 output. This function is valid when corresponding bit of PFR4 register is set to peripheral function.
		P41		General purpose input/output port. This function is valid when corresponding bit of PFR4 register is set to port function.
13	E1	X0A	—	Sub-clock oscillation pin (32 kHz)
14	F3	X1A		
15	G2	V <sub>cc</sub> 3B	—	Power supply pin for backup (RTC)
16	F1	V <sub>ss</sub>	—	Power supply pin (GND)
17	G4	V <sub>cc</sub> 3	—	Power supply pin (3.3 V internal logic)
18	G1	PPG2	D	PPG2 output. This function is valid when corresponding bit of PFR4 register is set to peripheral function.
		P42		General purpose input/output port. This function is valid when corresponding bit of PFR4 register is set to port function.
19	H2	PPG3	D	PPG3 output. This function is valid when corresponding bit of PFR4 register is set to peripheral function.
		P43		General purpose input/output port. This function is valid when corresponding bit of PFR4 register is set to port function.

(Continued)



# MB91230 Series

Pin no.		Pin name	Circuit type	Description
LQFP	FLGA			
20	H4	TOT0	D	Reload timer 0 output port. This function is valid when corresponding bit of PFR4 register is set to peripheral function.
		P44		General purpose input/output port. This function is valid when corresponding bit of PFR4 register is set to port function.
21	H1	TOT1	D	Reload timer 1 output port. This function is valid when corresponding bit of PFR4 register is set to peripheral function.
		P45		General purpose input/output port. This function is valid when corresponding bit of PFR4 register is set to port function.
22	J2	TOT2	D	Reload timer 2 output port. This function is valid when corresponding bit of PFR4 register is set to peripheral function.
		P46		General purpose input/output port. This function is valid when corresponding bit of PFR4 register is set to port function.
23	H3	CKOT	D	Clock monitor function output pin. This function is valid when corresponding bit of PFR4 register is set to peripheral function.
		P47		General purpose input/output port. This function is valid when corresponding bit of PFR4 register is set to port function.
24	J1	INT8	C	External interrupt input. When using this function, corresponding bit of DDR5 register is set to input.
		P50		General purpose input/output port. This function is always valid.
25	K2	INT9	C	External interrupt input. When using this function, corresponding bit of DDR5 register is set to input.
		P51		General purpose input/output port. This function is always valid.
26	J3	INT10	C	External interrupt input. When using this function, corresponding bit of DDR5 register is set to input.
		P52		General purpose input/output port. This function is always valid.

(Continued)

# MB91230 Series

Pin no.		Pin name	Circuit type	Description
LQFP	FLGA			
27	K1	PPG4	C	PPG4 output. This function is valid when corresponding bit of PFR5 register is set to peripheral function.
		INT11		External interrupt input. This function is enabled when corresponding bit of PFR5 register is set to port function and corresponding bit of DDR5 register is set to input.
		P53		General purpose input/output port. This function is valid when corresponding bit of PFR5 register is set to port function.
28	L2	PPG5	C	PPG5 output. This function is valid when corresponding bit of PFR5 register is set to peripheral function.
		INT12		External interrupt input. This function is enabled when corresponding bit of PFR5 register is set to port function and corresponding bit of DDR5 register is set to input.
		P54		General purpose input/output port. This function is valid when corresponding bit of PFR5 register is set to port function.
29	J4	TIN2	C	Reload timer 2 event input pin. This function is valid when corresponding bit of DDR5 register is set to input.
		INT13		External interrupt input. This function is valid when corresponding bit of DDR5 register is set to input.
		P55		General purpose input/output port. This function is always valid.
30	L1	TIN1	C	Reload timer 1 event input pin. This function is valid when corresponding bit of DDR5 register is set to input.
		INT14		External interrupt input. This function is valid when corresponding bit of DDR5 register is set to input.
		P56		General purpose input/output port. This function is always valid.

(Continued)

# MB91230 Series

Pin no.		Pin name	Circuit type	Description
LQFP	FLGA			
31	M1	ADTG0	C	External trigger input pin of A/D converter 0. This function is valid when corresponding bit of DDR5 register is set to input.
		TIN0		Reload timer 0 event input pin. This function is valid when corresponding bit of DDR5 register is set to input.
		INT15		External interrupt input. This function is valid when corresponding bit of DDR5 register is set to input.
		P57		General purpose input/output port. This function is always valid.
32	L3	TOT3	D	Reload timer 3 output port. This function is valid when corresponding bit of PFRF register is set to peripheral function.
		PF3		General purpose input/output port. This function is valid when corresponding bit of PFRF register is set to port function.
33	K3	ADTG1	D	External trigger input pin of A/D converter 1. This function is valid when corresponding bit of DDRF register is set to input.
		TIN3		Reload timer 3 event input pin. This function is valid when corresponding bit of DDRF register is set to input.
		PF4		General purpose input/output port. This function is always valid.
34	M2	DA0	F	D/A converter 0 output pin. This function is valid when corresponding bit of PFRD register is set to peripheral function.
		PD0		General purpose input/output port. This function is valid when corresponding bit of PFRD register is set to port function.
35	J5	DA1	F	D/A converter 1 output pin. This function is valid when corresponding bit of PFRD register is set to peripheral function.
		PD1		General purpose input/output port. This function is valid when corresponding bit of PFRD register is set to port function.
36	L4	AV <sub>cc</sub>	—	Analog power supply (for A/D, D/A converter) .
37	M3	AVRH	—	Analog reference power supply (for A/D, D/A converter) .
38	K4	AV <sub>ss</sub>	—	GND level input for analog circuit (for A/D, D/A converter) .

(Continued)

# MB91230 Series

Pin no.		Pin name	Circuit type	Description
LQFP	FLGA			
39 to 46	M4, J6, K5, M5, L6, K6, L7, M6	AN0 to AN7	E	Analog input pin for A/D converter. This function is valid when corresponding bit of PFRC register is set to peripheral function.
		PC0 to PC7		General purpose input/output port. This function is valid when corresponding bit of PFRC register is set to port function.
47	J7	V <sub>SS</sub>	—	Power supply pin (GND)
48	K7	V <sub>CC3IO</sub>	—	Power supply pin (analog-shared pin I/O)
49 to 56	L8, J8, M8, L9, K8, M9, L10, K9	SEG0 to SEG7	I	LCD controller/driver LCD segment output pin. This function is valid when corresponding bit of PFR8 register is set to peripheral function.
		P80 to P87		General purpose input/output port. This function is valid when corresponding bit of PFR8 register is set to port function.
57 to 64	M10, L11, J9, M11, M12, K11, K10, L12	SEG8 to SEG15	I	LCD controller/driver LCD segment output pin. This function is valid when corresponding bit of PFR9 register is set to peripheral function.
		P90 to P97		General purpose input/output port. This function is valid when corresponding bit of PFR9 register is set to port function.
65 to 72	H9, J11, K12, J10, H11, J12, G9, H10	SEG16 to SEG23	I	LCD controller/driver LCD segment output pin. This function is valid when corresponding bit of PFRA register is set to peripheral function.
		PA0 to PA7		General purpose input/output port. This function is valid when corresponding bit of PFRA register is set to port function.
73, 74	H12, G11	SEG24, SEG25	I	LCD controller/driver LCD segment output pin. This function is valid when corresponding bit of PFRB register is set to peripheral function.
		PB0, PB1		General purpose input/output port. This function is valid when corresponding bit of PFRB register is set to port function.
75	G10	V <sub>CC</sub>	—	Power supply pin (5 V I/O MB91V230/F233)
				Power supply pin (3.3 V internal logic, I/O MB91F233L/ MB91233L)
76	F11	V <sub>SS</sub>	—	Power supply pin (GND)
77, 78	G12, F9	SEG26, SEG27	I	LCD controller/driver LCD segment output pin. This function is valid when corresponding bit of PFRB register is set to peripheral function.
		PB2, PB3		General purpose input/output port. This function is valid when corresponding bit of PFRB register is set to port function.

(Continued)

# MB91230 Series

Pin no.		Pin name	Circuit type	Description
LQFP	FLGA			
79 to 82	F10, E11, E9, D11	SEG28 to SEG31	J	LCD controller/driver LCD segment output pin. This function is valid when corresponding bit of PFR6 register is set to peripheral function.
		P64 to P67		General purpose input/output port. (open-drain) This function is valid when corresponding bit of PFR6 register is set to port function.
83 to 86	E10, D12, C11, D10	COM0 to COM3	I	LCD controller/driver common pins. This function is valid when corresponding bit of PFR7 register is set to peripheral function.
		P70 to P73		General purpose input/output port. This function is valid when corresponding bit of PFR7 register is set to port function.
87 to 89	C12, B11, D9	MOD2, MOD1, MOD0	H	Mode input pin.
90	B12	$\overline{\text{INIT}}$	G	External reset input.
91 to 94	A12, B10, C10, A11	V0 to V3	—	LCD controller/driver reference power supply input pins.
95	D8	SIN0	D	UART0 data input. When using this function, corresponding bit of DDR0 register is set to input.
		P00		General purpose input/output port. This function is always valid.
96	B9	SOT0	D	UART0 data output. This function is valid when corresponding bit of PFR0 register is set to peripheral function.
		P01		General purpose input/output port. This function is valid when corresponding bit of PFR0 register is set to port function.
97	A10	SCK0	D	UART0 clock input/output. This function is valid when corresponding bit of PFR0 register is set to peripheral function.
		P02		General purpose input/output port. This function is valid when corresponding bit of PFR0 register is set to port function.
98	C9	SIN1	D	UART1 data input. This function is valid when corresponding bit of DDR0 register is set to input.
		P03		General purpose input/output port. This function is always valid.

(Continued)

# MB91230 Series

Pin no.		Pin name	Circuit type	Description
LQFP	FLGA			
99	B8	SOT1	D	UART1 data output. This function is valid when corresponding bit of PFR0 register is set to peripheral function.
		P04		General purpose input/output port. This function is valid when corresponding bit of PFR0 register is set to port function.
100	A9	SCK1	D	UART1 clock input/output. This function is valid when corresponding bit of PFR0 register is set to peripheral function.
		P05		General purpose input/output port. This function is valid when corresponding bit of PFR0 register is set to port function.
101	D7	IC0	D	Input capture input 0. This function is valid when corresponding bit of DDR0 register is set to input.
		P06		General purpose input/output port. This function is always valid.
102	C8	IC1	D	Input capture input 1. This function is valid when corresponding bit of DDR0 register is set to input.
		P07		General purpose input/output port. This function is always valid.
103	A8	INT0	A	External interrupt input. This function is valid when corresponding bit of DDR1 register is set to input.
		P10		General purpose input/output port. This function is always valid.
104	B7	INT1	A	External interrupt input. This function is valid when corresponding bit of DDR1 register is set to input.
		P11		General purpose input/output port. This function is always valid.
105	C7	V <sub>cc</sub>	—	Power supply pin (5 V I/O MB91V230/F233)
				Power supply pin (3.3 V internal logic, I/O MB91F233L/MB91233L)
106	B6	V <sub>ss</sub>	—	Power supply pin (GND)
107	A7	X1	—	Main-clock oscillation pin
108	C6	X0	—	

(Continued)

# MB91230 Series

Pin no.		Pin name	Circuit type	Description
LQFP	FLGA			
109	A6	INT2	A	External interrupt input. This function is valid when corresponding bit of DDR1 register is set to input.
		P12		General purpose input/output port. This function is always valid.
110	B5	INT3	A	External interrupt input. This function is valid when corresponding bit of DDR1 register is set to input.
		P13		General purpose input/output port. This function is always valid.
111	D5	INT4	A	External interrupt input. This function is valid when corresponding bit of DDR1 register is set to input.
		P14		General purpose input/output port. This function is always valid.
112	B4	INT5	A	External interrupt input. This function is valid when corresponding bit of DDR1 register is set to input.
		P15		General purpose input/output port. This function is always valid.
113	C5	INT6	A	External interrupt input. This function is valid when corresponding bit of DDR1 register is set to input.
		P16		General purpose input/output port. This function is always valid.
114	A4	INT7	A	External interrupt input. This function is valid when corresponding bit of DDR1 register is set to input.
		P17		General purpose input/output port. This function is always valid.
115	B3	CKI0	D	External clock input pin for free-run timer 0. This function is enabled when corresponding bit of PFR2 register is set to port function and corresponding bit of DDR2 register is set to input.
		OP0		Output compare 0 output pin. This function is valid when corresponding bit of PFR2 register is set to peripheral function.
		P20		General purpose input/output port. This function is valid when corresponding bit of PFR2 register is set to port function.

(Continued)

# MB91230 Series

(Continued)

Pin no.		Pin name	Circuit type	Description
LQFP	FLGA			
116	C4	CKI1	D	External clock input pin for free-run timer 1. This function is enabled when corresponding bit of PFR2 register is set to port function and corresponding bit of DDR2 register is set to input.
		OP1		Output compare1 output pin. This function is valid when corresponding bit of PFR2 register is set to peripheral function.
		P21		General purpose input/output port. This function is valid when corresponding bit of PFR2 register is set to port function.
117	A3	PW10	D	Pulse width counter 0 input. This function is enabled when corresponding bit of PFR2 register is set to port function and corresponding bit of DDR2 register is set to input.
		OP2		Output compare2 output pin. This function is valid when corresponding bit of PFR2 register is set to peripheral function.
		P22		General purpose input/output port. This function is valid when corresponding bit of PFR2 register is set to port function.
118	B2	PW11	D	Pulse width counter 1 input. This function is enabled when corresponding bit of PFR2 register is set to port function and corresponding bit of DDR2 register is set to input.
		OP3		Output compare3 output pin. This function is valid when corresponding bit of PFR2 register is set to peripheral function.
		P23		General purpose input/output port. This function is valid when corresponding bit of PFR2 register is set to port function.
119	D4	SIN2	D	UART2 data input. This function is valid when corresponding bit of DDR2 register is set to input.
		P24		General purpose input/output port. This function is always valid.
120	A2	SOT2	D	UART2 data output. This function is valid when corresponding bit of PFR2 register is set to peripheral function.
		P25		General purpose input/output port. This function is valid when corresponding bit of PFR2 register is set to port function.
(38)	L5	AVRL	—	Analog reference power supply (for A/D converter)
—	A5, D6, E12, F2, F12, M7	NC	—	Unconnected pin.

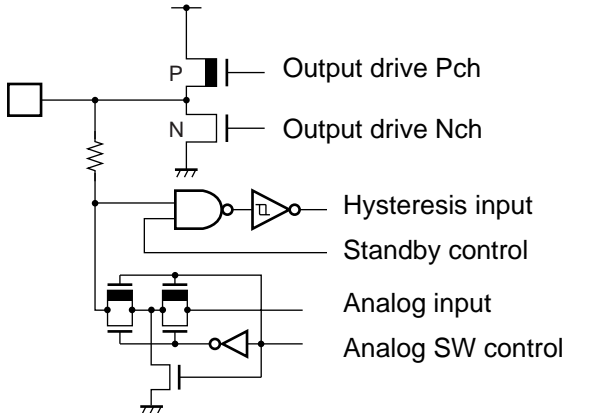
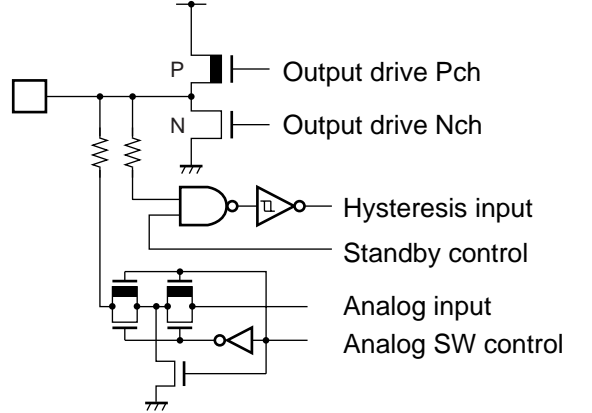
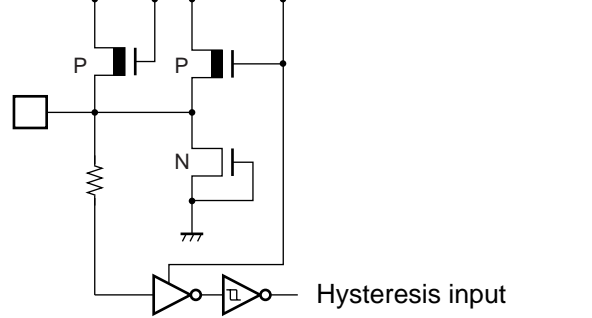
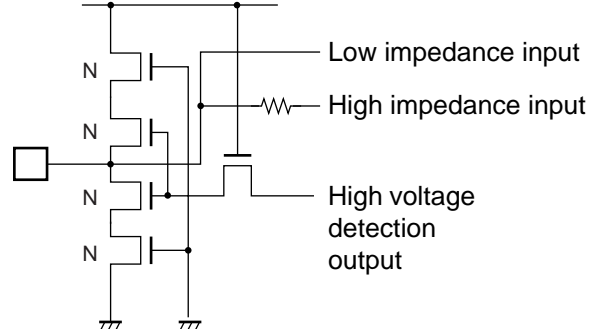


## I/O CIRCUIT TYPE

Type	Circuit type	Remarks
A	<p>Pull-up control Output drive Pch Output drive Nch Hysteresis input Standby control</p>	<p>With Pull-up control (50 kΩ) CMOS level output <math>I_{OH} = 4 \text{ mA}/I_{OL} = 4 \text{ mA}</math> CMOS hysteresis input (with standby control)</p>
B	<p>Pull-up control Output drive Pch Output drive Nch Hysteresis input Standby control Test pin for FLASH Analog SW control</p>	<p>With Pull-up control (50 kΩ) CMOS level output <math>I_{OH} = 4 \text{ mA}/I_{OL} = 4 \text{ mA}</math> CMOS hysteresis input (with standby control) Test pin for FLASH</p>
C	<p>Output drive Pch Output drive Nch Hysteresis input Standby control</p>	<p>CMOS level output CMOS hysteresis input (with standby control)</p>
D	<p>Output drive Pch Output drive Nch Hysteresis input Standby control Test pin for FLASH Analog SW control</p>	<p>CMOS level output <math>I_{OH} = 4 \text{ mA}/I_{OL} = 4 \text{ mA}</math> CMOS hysteresis input (with standby control) Test pin for FLASH</p>

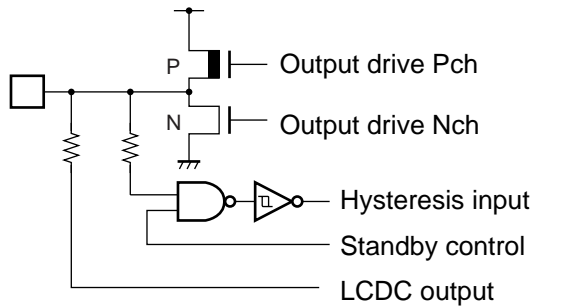
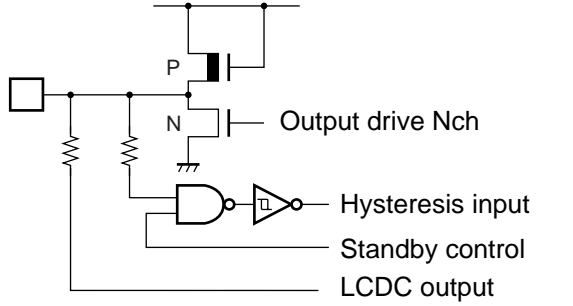
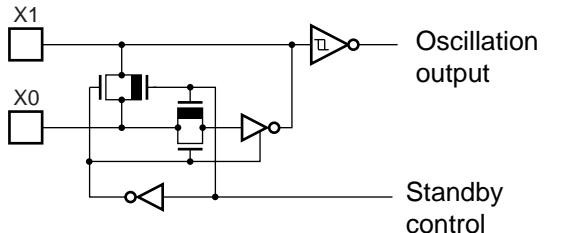
(Continued)

# MB91230 Series

Type	Circuit type	Remarks
E	 <p>Output drive Pch Output drive Nch Hysteresis input Standby control Analog input Analog SW control</p>	<p>CMOS level output  <math>I_{OH} = 4 \text{ mA}/I_{OL} = 4 \text{ mA}</math>            CMOS hysteresis input (with standby control)            Also serving as an analog input</p>
F	 <p>Output drive Pch Output drive Nch Hysteresis input Standby control Analog input Analog SW control</p>	<p>CMOS level output  <math>I_{OH} = 4 \text{ mA}/I_{OL} = 4 \text{ mA}</math>            CMOS hysteresis input (with standby control)            Also serving as an analog input</p>
G	 <p>Hysteresis input</p>	<p>With Pull-up control (50 kΩ)            CMOS hysteresis input</p>
H	 <p>Low impedance input High impedance input High voltage detection output</p>	<p>High withstand-voltage input            CMOS input (hysteresis level)</p>

(Continued)

(Continued)

Type	Circuit type	Remarks
I		<p>CMOS level output  <math>I_{OH} = 4 \text{ mA}/I_{OL} = 4 \text{ mA}</math>                      CMOS hysteresis input (with standby control)                      LCDC output</p>
J		<p>CMOS level output (open-drain)  <math>I_{OL} = 20 \text{ mA}</math>                      CMOS hysteresis input (with standby control)                      LCDC output</p>
K		<p>Oscillation circuit</p>

# MB91230 Series

## ■ HANDLING DEVICES

### Preventing Latchup

Latch-up may occur in a CMOS IC if a voltage greater than  $V_{CC}$  or less than  $V_{SS}$  is applied to an input or output pin or if an above-rating voltage is applied between  $V_{CC}$  and  $V_{SS}$ .

A latchup, if it occurs, significantly increases the power supply current and may cause thermal destruction of an element. When you use a CMOS IC, be very careful not to exceed the absolute maximum rating.

### Treatment of Unused Pins

Do not leave an unused input pin open, since it may cause a malfunction. Handle by, for example, using a pull-up or pull-down resistor.

### About Power Supply Pins

In products with multiple  $V_{CC}$  or  $V_{SS}$  pins, the pins of the same potential are internally connected in the device to avoid abnormal operations including latch-up. However, you must connect the pins to external power supply and a ground line to lower the electro-magnetic emission level, to prevent abnormal operation of strobe signals caused by the rise in the ground level, and to conform to the total output current rating.

Moreover, connect the current supply source with the  $V_{CC}$  and  $V_{SS}$  pins of this device at the low impedance.

It is also advisable to connect a ceramic bypass capacitor of approximately 0.1  $\mu$ F between  $V_{CC}$  and  $V_{SS}$  near this device.

### About Crystal Oscillator Circuit

Noise near the X0 and X1 pins may cause the device to malfunction. Design the printed circuit board so that X0, X1, the crystal oscillator (or ceramic oscillator), and the bypass capacitor to ground are located as close to the device as possible.

It is strongly recommended to design the PC board artwork with the X0 and X1 pins surrounded by ground plane because stable operation can be expected with such a layout.

### Treatment of NC and OPEN Pins

Pins marked as NC and OPEN must be left open-circuit.

### About Mode Pins (MD0 to MD2)

These pins should be connected directly to  $V_{CC}$  or  $V_{SS}$ .

To prevent the device erroneously switching to test mode due to noise, design the printed circuit board such that the distance between the mode pins and  $V_{CC}$  or  $V_{SS}$  is as short as possible and the connection impedance is low.

### Operation at Start-up

Be sure to execute setting initialized reset (INIT) with  $\overline{\text{INIT}}$  pin immediately after start-up.

Also, in order to provide the oscillation stabilization wait time for the oscillation circuit immediately after start-up, hold the "L" level input to the  $\overline{\text{INIT}}$  pin for the required stabilization wait time. (For INIT via the  $\overline{\text{INIT}}$  pin, the oscillation stabilization wait time setting is initialized to the minimum value).

### About Oscillation Input at Power On

When turning the power on, maintain clock input until the device is released from the oscillation stabilization wait state.

## Clock Control Block

Input the “L” signal to the  $\overline{\text{INIT}}$  pin to assure the clock oscillation stabilization wait time.

## Switch Shared Port Function

To switch between the use as a port and the use as a dedicated pin, use the port function register (PFR) .

## Low Power Consumption Mode

To enter the standby mode, use the synchronous standby mode (set with the SYNCS bit as bit 8 in the TBCR : timebase counter control register) and be sure to use the following sequence

```
(LDI    #value_of_standby, R0) : value_of_standby is write data to STCR.
(LDI    #_STCR, R12)          : _STCR is address (481H) of STCR.
STB     R0, @R12              : Writing to standby control register (STCR)
LDUB    @R12, R0              : STCR read for synchronous standby
LDUB    @R12, R0              : Dummy re-read of STCR
NOP                                           : NOP × 5 for arrangement of timing
NOP
NOP
NOP
NOP
```

In addition, please set I flag, ILM, and ICR to diverge to the interruption handler that is the return factor after the standby returns.

- Please do not do the following when the monitor debugger is used.
- Break point setting for above instruction lines
- Step execution for above instruction lines

## Power-on sequence for dual-power-supply model

- Notes on the power-on and power-off sequences
  - Power-on sequence : Vcc3B, Vcc3→Vcc→Vcc3IO, AVRH, V0-V3
  - Power-off sequence : Vcc3IO, AVRH, V0-V3 Vcc3→Vcc→Vcc3B, Vcc3
- When Vcc is turned on earlier, a potential difference between Vcc and Vcc3 must fall within 3.6 V.
- The LCD power supply V3 must not exceed Vcc in voltage. Apply V3 after turning on Vcc3.
- Turn on Vcc3 before applying the analog power supply AVcc or an analog signal.

## Notes on the PS register

As the PS register is processed by some instructions in advance, exception handling below may cause the interrupt handling routine to break when the debugger is used or the display contents of flags in the PS register to be updated.

As the microcontroller is designed to carry out reprocessing correctly upon returning from such an EIT event, it performs operations before and after the EIT as specified in either case.

- The following operations may be performed when the instruction immediately followed by a DIVOU/DIVOS instruction is (a) acceptance of a user interrupt, (b) single-stepped, or (c) breaks in response to a data event or emulator menu :
  - 1) The D0 and D1 flags are updated in advance.
  - 2) An EIT handling routine (user interrupt or emulator) is executed.
  - 3) Upon returning from the EIT, the DIVOU/DIVOS instruction is executed, and the D0 and D1 flags are updated to the same values as in 1).
- The following operations are performed when the ORCCR/STILM/MOVRi and PS instructions are executed to allow the interrupt.
  - 1) The PS register is updated in advance.
  - 2) An EIT handling routine (user interrupt) is executed.
  - 3) Upon returning from the EIT, the above instructions are executed, and the PS register is updated to the same value as in 1).

## Watchdog Timer

The watchdog timer built in this model monitors a program that it defers a reset within a certain period of time. The watchdog timer resets the CPU if the program runs out of controls, preventing the reset defer function from being executed. Once the function of the watchdog timer is enabled, therefore, the watchdog timer keeps on operating programs until it resets the CPU.

As an exception, the watchdog timer defers a reset automatically under the condition in which the CPU stops program execution.

For those conditions to which this exception applies, see the function description of watchdog timer.

## Step execution of RETI instruction

If an interrupt occurs frequently during step execution, the corresponding interrupt handling routine is executed repeatedly after step execution. This will prevent the main routine and low-interrupt-level programs from being executed.

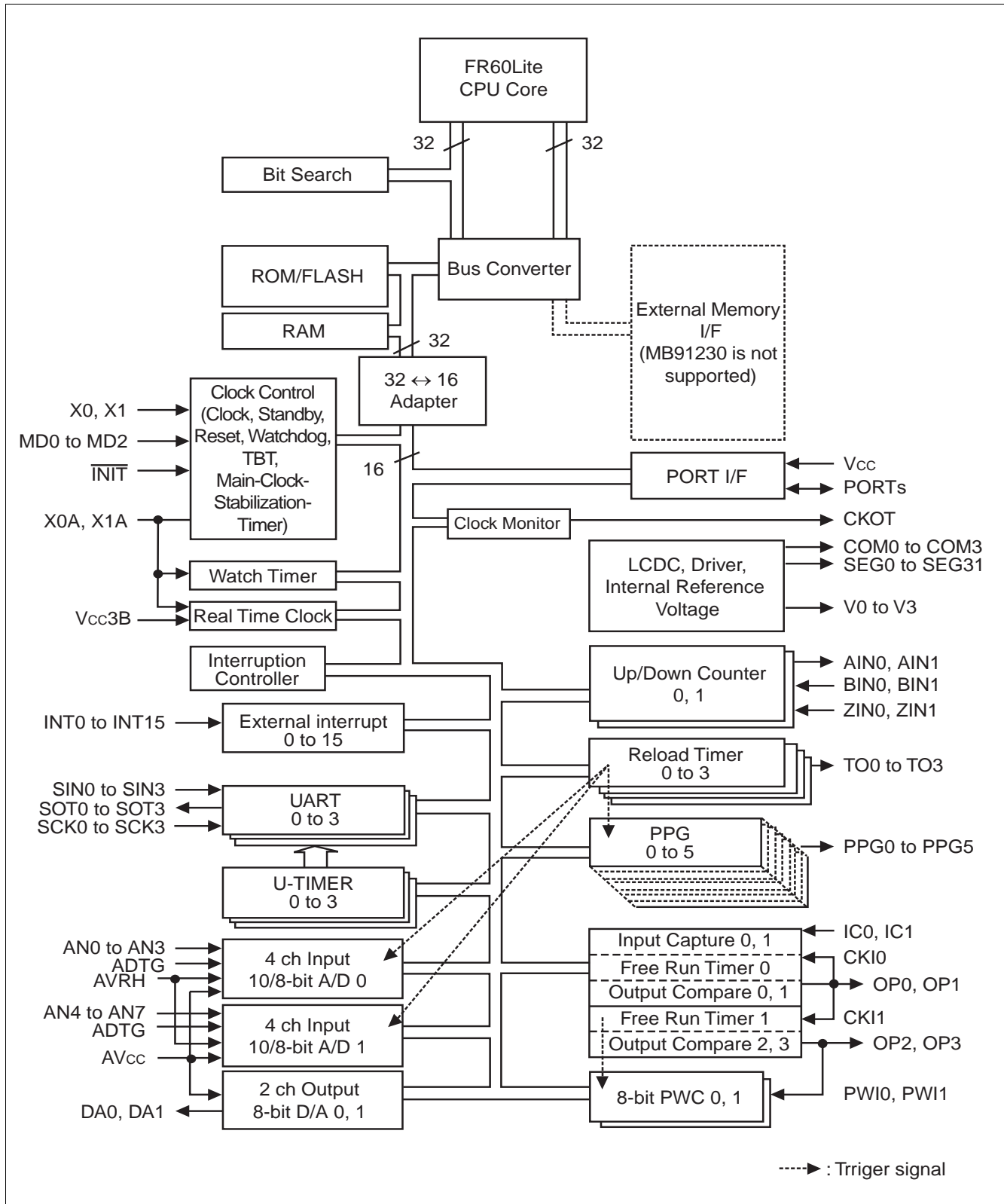
Do not execute step of RETI instruction for escape.

Disable the corresponding interrupt and execute debugger when the corresponding interrupt routine no longer needs debugging.

## Operand Break

Do not apply a data event break to access to the area containing the address of a system stack pointer.

## ■ BLOCK DIAGRAM



# MB91230 Series

## ■ MEMORY SPACE

### 1. Memory space

The FR60 Lite family has 4 gigabytes of logical address space ( $2^{32}$  addresses) available to the CPU by linear access.

- Direct Addressing Areas

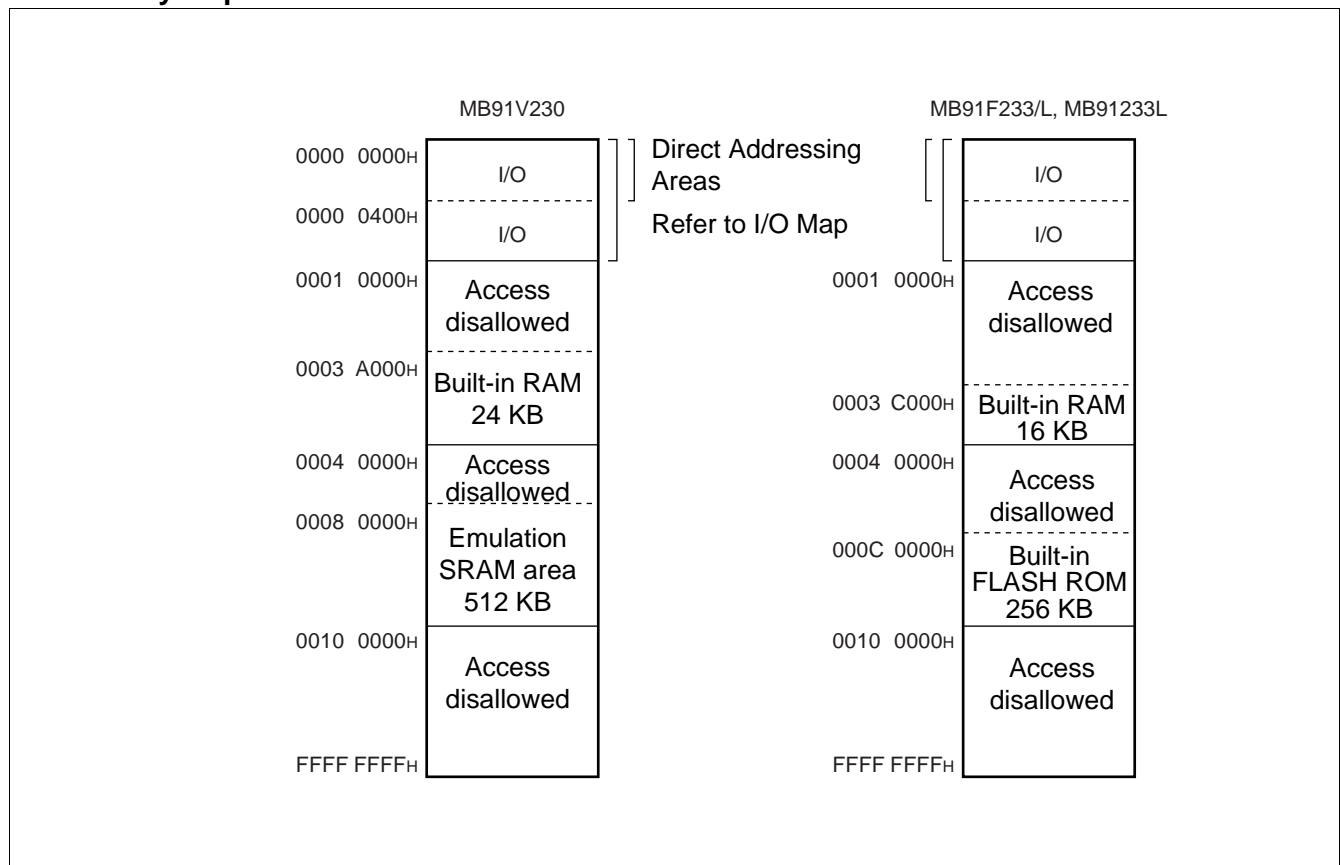
The following address space areas are used as I/O areas.

These areas are called direct addressing areas, in which the address of an operand can be specified directly during an instruction.

The size of directly addressable areas depends on the length of the data being accessed as shown below.

- byte data access : 0 to 0FF<sub>H</sub>
- half word data access : 0 to 1FF<sub>H</sub>
- word data access : 0 to 3FF<sub>H</sub>

### 2. Memory Map



Note : Do not set the external bus mode in which the MB91230 series cannot operate.



## MODE SETTINGS

The FR family uses mode pins (MD2 to MD0) and a mode data to set the operation mode.

- Mode Pins

The MD2, MD1, and MD0 pins specify how the mode vector fetch and reset vector fetch is performed.

Setting is prohibited other than that shown in the following table.

Mode Pins			Mode name	Reset vector access area	Remarks
MD2	MD1	MD0			
0	0	0	Internal ROM mode vector	Internal	
0	0	1	External ROM mode vector	External	Not supported by this model.

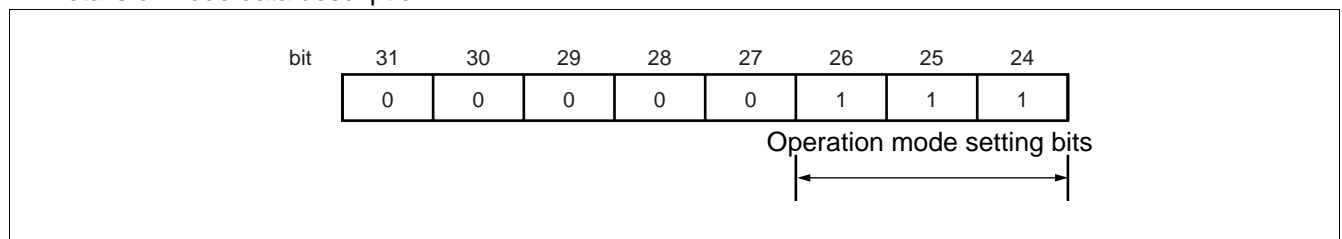
- Mode data

Data written to the internal mode register (MODR) by a mode vector fetch is called mode data.

After an operation mode has been set in the mode register, the device operates in the operation mode.

The mode data is set by all reset source. User programs cannot set data to the mode register.

Details of mode data description



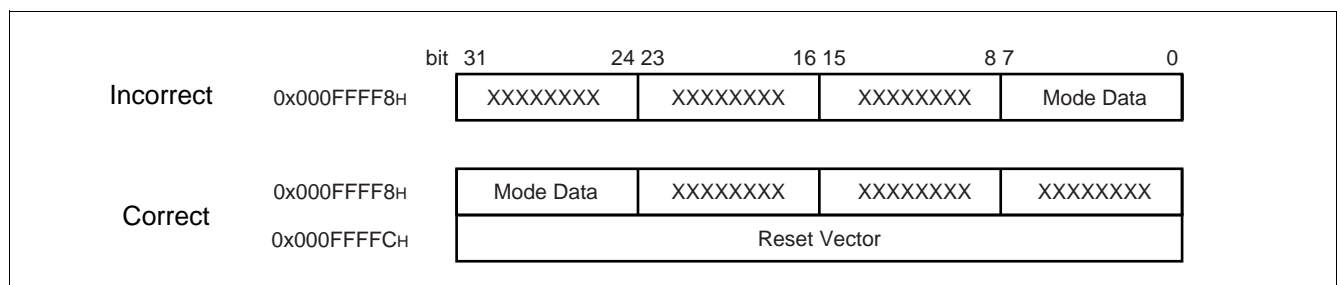
[bit31 to bit24] Reserved bit

Be sure to set this bit to "00000111".

Operation is not guaranteed when any value other than "00000111" is set.

Note : Mode data set in the mode vector must be placed as byte data at 0x000FFFF8H.

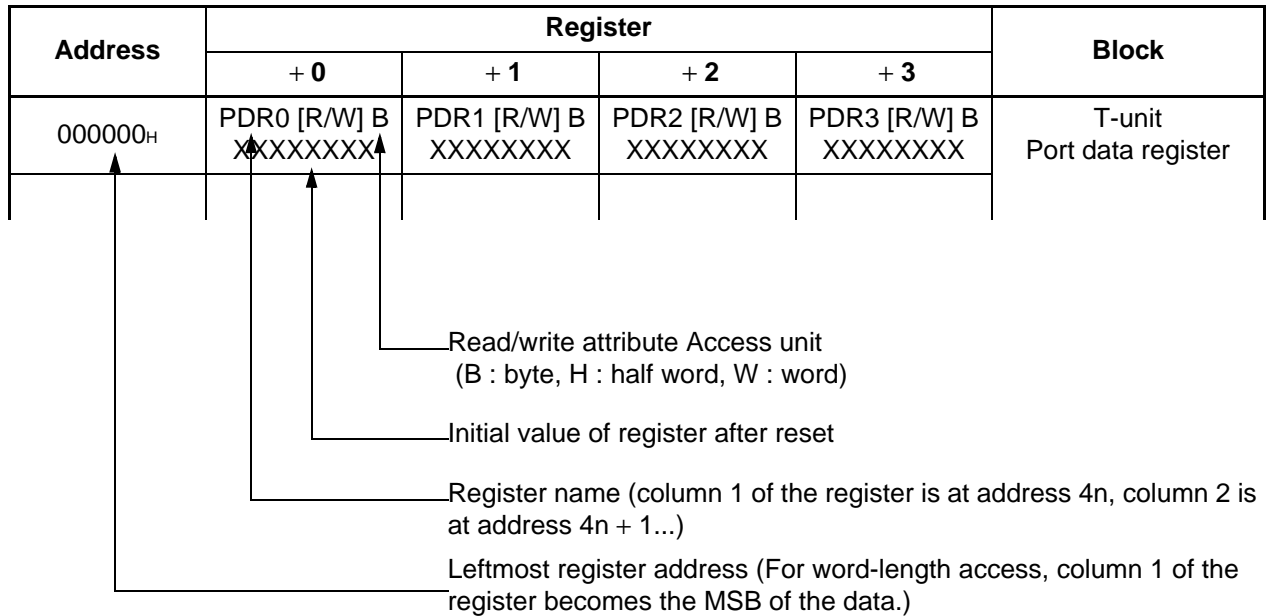
Use the highest byte from bit31 to bit24 for placement as the FR family uses the big endian for byte endian.



# MB91230 Series

## ■ I/O Map

[How to read the table]



Note : Initial values of register bits are represented as follows :

“ 1 ” : Initial Value “ 1 ”

“ 0 ” : Initial Value “ 0 ”

“ X ” : Initial Value “ undefined ”

“ - ” : No physical register at this location

Access is barred with an undefined data access attribute.

# MB91230 Series

Address	Register				Block
	+ 0	+ 1	+ 2	+ 3	
000000 <sub>H</sub>	PDR0 [R/W] B XXXXXXXX	PDR1 [R/W] B XXXXXXXX	PDR2 [R/W] B XXXXXXXX	PDR3 [R/W] B XXXXXXXX	Port data register
000004 <sub>H</sub>	PDR4 [R/W] B XXXXXXXX	PDR5 [R/W] B XXXXXXXX	PDR6 [R/W] B XXXX----	PDR7 [R/W] B ----XXXX	
000008 <sub>H</sub>	PDR8 [R/W] B XXXXXXXX	PDR9 [R/W] B XXXXXXXX	PDRA [R/W] B XXXXXXXX	PDRB [R/W] B ----XXXX	
00000C <sub>H</sub>	PDRC [R/W] B XXXXXXXX	PDRD [R/W] B -----XX	—	PDRF [R/W] ---XX---	
000010 <sub>H</sub> to 00003C <sub>H</sub>	—	—	—	—	Unused
000040 <sub>H</sub>	EIRR0 [R/W] B, H, W 00000000	ENIR0 [R/W] B, H, W 00000000	ELVR0 [R/W] B, H, W 00000000 00000000		External interrupt (INT0 to 7)
000044 <sub>H</sub>	DICR [R/W] B, H, W -----0	—	—		Delay interrupt
000048 <sub>H</sub>	TMRLR0 [W] H, W XXXXXXXX XXXXXXXX		TMR0 [R] H, W XXXXXXXX XXXXXXXX		Reload timer 0
00004C <sub>H</sub>	—		TMCSR0 [R/W] B, H, W ----0000 00000000		
000050 <sub>H</sub>	TMRLR1 [W] H, W XXXXXXXX XXXXXXXX		TMR1 [R] H, W XXXXXXXX XXXXXXXX		Reload timer 1
000054 <sub>H</sub>	—		TMCSR1 [R/W] B, H, W ----0000 00000000		
000058 <sub>H</sub>	TMRLR2 [W] H, W XXXXXXXX XXXXXXXX		TMR2 [R] H, W XXXXXXXX XXXXXXXX		Reload timer 2
00005C <sub>H</sub>	—		TMCSR2 [R/W] B, H, W ----0000 00000000		
000060 <sub>H</sub>	SSR0 [R/W] B, H, W 00001000	SIDR0 [R] B, H, W SODR0 [W] B, H, W XXXXXXXX	SCR0 [R/W] B, H, W 00000100	SMR0 [R/W] B, H, W 00--0-0-	UART0
000064 <sub>H</sub>	UTIM0 [R] H (UTIMR0 [W] H) 00000000 00000000		—	UTIMC0 [R/W] B 0--00001	U-TIMER0
000068 <sub>H</sub>	SSR1 [R/W] B, H, W 00001000	SIDR1 [R] B, H, W SODR1 [W] B, H, W XXXXXXXX	SCR1 [R/W] B, H, W 00000100	SMR1 [R/W] B, H, W 00--0-0-	UART1
00006C <sub>H</sub>	UTIM1 [R] H (UTIMR1 [W] H) 00000000 00000000		—	UTIMC1 [R/W] B 0--00001	U-TIMER1

(Continued)

# MB91230 Series

Address	Register				Block
	+ 0	+ 1	+ 2	+ 3	
000070 <sub>H</sub>	SSR2 [R/W] B, H, W 00001000	SIDR2 [R] B, H, W SODR2 [W] B, H, W XXXXXXXX	SCR2 [R/W] B, H, W 00000100	SMR2 [R/W] B, H, W 00--0-0-	UART2
000074 <sub>H</sub>	UTIM2 [R] H (UTIMR1 [W] H) 00000000 00000000		—	UTIMC2 [R/W] B 0--00001	U-TIMER2
000078 <sub>H</sub>	ADCS0 [R/W] H, W XXXXXXXX XXXXXXXX		ADCT0 [R/W] H, W 000-0000 -000--00		A/D converter 0 (series-parallel type)
00007C <sub>H</sub>	ADT00 (ADTH0/ADTL0) [R] H, W 000000XX XXXXXXXX	ADT01 (ADTH1/ADTL1) [R] H, W 000000XX XXXXXXXX			
000080 <sub>H</sub>	ADT02 (ADTH2/ADTL2) [R] H, W 000000XX XXXXXXXX	ADT03 (ADTH3/ADTL3) [R] H, W 000000XX XXXXXXXX			
000084 <sub>H</sub>	ADCS1 [R/W] H, W XXXXXXXX XXXXXXXX		ADCT1 [R/W] H, W 000-0000 --000--00		A/D converter 1 (series-parallel type)
000088 <sub>H</sub>	ADT10 (ADTH0/ADTL0) [R] H, W 000000XX XXXXXXXX	ADT11 (ADTH1/ADTL1) [R] H, W 000000XX XXXXXXXX			
00008C <sub>H</sub>	ADT12 (ADTH2/ADTL2) [R] H, W 000000XX XXXXXXXX	ADT13 (ADTH3/ADTL3) [R] H, W 000000XX XXXXXXXX			
000090 <sub>H</sub>	—	—	DACR1 [R/W] B, H, W -----0	DACR0 [R/W] B, H, W -----0	D/A converter
000094 <sub>H</sub>	—	—	DADR1 [R/W] B, H, W XXXXXXXX	DADR0 [R/W] B, H, W XXXXXXXX	
000098 <sub>H</sub>	LCDCMR [R/W] B, H, W ----0000	—	LCR0 [R/W] B, H, W 00010000	LCR1 [R/W] B, H, W 00000000	LCD controller/driver
00009C <sub>H</sub>	VRAM0 [R/W] B, H, W XXXXXXXX	VRAM1 [R/W] B, H, W XXXXXXXX	VRAM2 [R/W] B, H, W XXXXXXXX	VRAM3 [R/W] B, H, W XXXXXXXX	
0000A0 <sub>H</sub>	VRAM4 [R/W] B, H, W XXXXXXXX	VRAM5 [R/W] B, H, W XXXXXXXX	VRAM6 [R/W] B, H, W XXXXXXXX	VRAM7 [R/W] B, H, W XXXXXXXX	
0000A4 <sub>H</sub>	VRAM8 [R/W] B, H, W XXXXXXXX	VRAM9 [R/W] B, H, W XXXXXXXX	VRAM10 [R/W] B, H, W XXXXXXXX	VRAM11 [R/W] B, H, W XXXXXXXX	
0000A8 <sub>H</sub>	VRAM12 [R/W] B, H, W XXXXXXXX	VRAM13 [R/W] B, H, W XXXXXXXX	VRAM14 [R/W] B, H, W XXXXXXXX	VRAM15 [R/W] B, H, W XXXXXXXX	
0000AC <sub>H</sub>	CKR [R/W] B, H, W ----0000	—	—	—	Clock monitor

(Continued)

# MB91230 Series

Address	Register				Block
	+ 0	+ 1	+ 2	+ 3	
0000B0 <sub>H</sub>	RCR1 [W] B, H, W 00000000	RCR0 [W] B, H, W 00000000	UDCR1 [R] B, H, W 00000000	UDCR0 [R] B, H, W 00000000	Up/down counter0, 1
0000B4 <sub>H</sub>	CCRH0 [R/W] B, H, W 00000000	CCRL0 [R/W] B, H, W 00001000	—	CSR0 [R/W] B, H, W 00000000	
0000B8 <sub>H</sub>	CCRH1 [R/W] B, H, W 00000000	CCRL1 [R/W] B, H, W 00001000	—	CSR1 [R/W] B, H, W 00000000	
0000BC <sub>H</sub>	—	—	—	—	unused
0000C0 <sub>H</sub>	SSR [R/W] B, H, W 00001000	SIDR 3 [R] B, H, W SODR 3 [W] B, H, W XXXXXXXX	SCR [R/W] B, H, W 00000100	SMR [R/W] B, H, W 00--0-0-	UART3
0000C4 <sub>H</sub>	UTIM [R] H (UTIMR [W] H) 00000000 00000000		—	UTIMC [R/W] B 0--00001	U-TIMER3
0000C8 <sub>H</sub>	TMRLR3 [W] H, W XXXXXXXX XXXXXXXX		TMR3 [R] H, W XXXXXXXX XXXXXXXX		Reload timer 3
0000CC <sub>H</sub>	—		TMCSR3 [R/W] B, H, W ---00000 00000000		
0000D0 <sub>H</sub>	EIRR1 [R/W] B, H, W 00000000	ENIR1 [R/W] B, H, W 00000000	ELVR1 [R/W] B, H, W 00000000 00000000		External interrupt (INT8 to 16)
0000D4 <sub>H</sub>	TCDT0 [R/W] H, W 00000000 00000000		—	TCCS0 [R/W] B, H, W 00000000	Free-run timer 0
0000D8 <sub>H</sub>	TCDT1 [R/W] H, W 00000000 00000000		—	TCCS1 [R/W] B, H, W 00000000	Free-run timer 1
0000DC <sub>H</sub>	IPCP1 [R] H, W XXXXXXXX XXXXXXXX		IPCP0 [R] H, W XXXXXXXX XXXXXXXX		Input capture
0000E0 <sub>H</sub>	—	—	—	ICS01 [R/W] B, H, W 00000000	
0000E4 <sub>H</sub>	OCCP1 [R/W] H, W XXXXXXXX XXXXXXXX		OCCP0 [R/W] H, W XXXXXXXX XXXXXXXX		
0000E8 <sub>H</sub>	OCCP3 [R/W] H, W XXXXXXXX XXXXXXXX		OCCP2 [R/W] H, W XXXXXXXX XXXXXXXX		Output compare
0000EC <sub>H</sub>	OCS23 [R/W] B, H, W ---0--00 0000--00		OCS01 [R/W] B, H, W ---0-00 0000--00		

(Continued)

# MB91230 Series

Address	Register				Block
	+ 0	+ 1	+ 2	+ 3	
0000F0 <sub>H</sub>	PWCC0 [R/W] B, H, W 0---00-0	PWCD0 [R] B, H, W XXXXXXXX	PWCC1 [R/W] B, H, W 0---00-0	PWCD1 [R] B, H, W XXXXXXXX	PWC0, 1
0000F4 <sub>H</sub>	—	WTDBL [R/W] B -----0	WTCR [R/W] B, H 00000000 000-00-X		Real-time clock
0000F8 <sub>H</sub>	—	WTBR0 [R/W] B ---XXXX	WTBR1 [R/W] B XXXXXXXX	WTBR2 [R/W] B XXXXXXXX	
0000FC <sub>H</sub>	WTHR [R/W] B, H ---XXXX	WTMR [R/W] B, H --XXXX	WTSR [R/W] B --XXXX	—	
000100 <sub>H</sub> to 000114 <sub>H</sub>	—	—	—	—	Unused
000118 <sub>H</sub>	GCN10 [R/W] H 00110010 00010000		—	GCN20 [R/W] B 00000000	PPG
00011C <sub>H</sub>	—	—	—	—	Unused
000120 <sub>H</sub>	PTMR0 [R] H, W 11111111 11111111		PCSR0 [W] H, W XXXXXXXX XXXXXXXX		PPG0
000124 <sub>H</sub>	PDUT0 [W] H, W XXXXXXXX XXXXXXXX		PCNH0 [R/W] B, H, W 00000000	PCNL0 [R/W] B, H, W 00000000	
000128 <sub>H</sub>	PTMR1 [R] H, W 11111111 11111111		PCSR1 [W] H, W XXXXXXXX XXXXXXXX		PPG1
00012C <sub>H</sub>	PDUT1 [W] H, W XXXXXXXX XXXXXXXX		PCNH1 [R/W] B, H, W 00000000	PCNL1 [R/W] B, H, W 00000000	
000130 <sub>H</sub>	PTMR2 [R] H, W 11111111 11111111		PCSR2 [W] H, W XXXXXXXX XXXXXXXX		PPG2
000134 <sub>H</sub>	PDUT2 [W] H, W XXXXXXXX XXXXXXXX		PCNH2 [R/W] B, H, W 00000000	PCNL2 [R/W] B, H, W 00000000	
000138 <sub>H</sub>	PTMR3 [R] H, W 11111111 11111111		PCSR3 [W] H, W XXXXXXXX XXXXXXXX		PPG3
00013C <sub>H</sub>	PDUT3 [W] H, W XXXXXXXX XXXXXXXX		PCNH3 [R/W] B, H, W 00000000	PCNL3 [R/W] B, H, W 00000000	
000140 <sub>H</sub>	PTMR4 [R] H, W 11111111 11111111		PCSR4 [W] H, W XXXXXXXX XXXXXXXX		PPG4
000144 <sub>H</sub>	PDUT4 [W] H, W XXXXXXXX XXXXXXXX		PCNH4 [R/W] B, H, W 00000000	PCNL4 [R/W] B, H, W 00000000	

(Continued)

# MB91230 Series

Address	Register				Block
	+ 0	+ 1	+ 2	+ 3	
000148H	PTMR5 [R] H, W 11111111 11111111		PCSR5 [W] H, W XXXXXXXX XXXXXXXX		PPG5
00014CH	PDUT5 [W] H, W XXXXXXXX XXXXXXXX		PCNH5 [R/W] B, H, W 00000000	PCNL5 [R/W] B, H, W 00000000	
000150H to 0001FCH	—	—	—	—	Unused
000200H to 0003ECH	—	—	—	—	Unused
0003F0H	BSD0 [W] W XXXXXXXX XXXXXXXX XXXXXXXX XXXXXXXX				Bit search
0003F4H	BSD1 [R/W] W XXXXXXXX XXXXXXXX XXXXXXXX XXXXXXXX				
0003F8H	BSDC [W] W XXXXXXXX XXXXXXXX XXXXXXXX XXXXXXXX				
0003FCH	BSRR [R] W XXXXXXXX XXXXXXXX XXXXXXXX XXXXXXXX				
000400H	DDR0 [R/W] B 00000000	DDR1 [R/W] B 00000000	DDR2 [R/W] B 00000000	DDR3 [R/W] B00000000	Data direction register
000404H	DDR4 [R/W] B 00000000	DDR5 [R/W] B 00000000	DDR6 [R/W] B 0000----	DDR7 [R/W] B ----0000	
000408H	DDR8 [R/W] B 00000000	DDR9 [R/W] B 00000000	DDRA [R/W] B 00000000	DDRB [R/W] B ----0000	
00040CH	DDRC [R/W] B 00000000	DDRD [R/W] B -----00	—	DDRF [R/W] B ---00---	
000410H to 00041CH	—	—	—	—	Unused
000420H	PFR0 [R/W] B --00-00-	PFR1 [R/W] B -----	PFR2 [R/W] B -00-0000	PFR3 [R/W] B -----00	Port function register
000424H	PFR4 [R/W] B 00000000	PFR5 [R/W] B ---00---	PFR6 [R/W] B 0000----	PFR7 [R/W] B ----0000	
000428H	PFR8 [R/W] B 00000000	PFR9 [R/W] B 00000000	PFRA [R/W] B 00000000	PFRB [R/W] B ----0000	
00042CH	PFRC [R/W] B -----	PFRD [R/W] B -----00	—	PFRF [R/W] B ----0---	
000430H to 00043CH	—	—	—	—	Unused

(Continued)

# MB91230 Series

Address	Register				Block	
	+ 0	+ 1	+ 2	+ 3		
000440 <sub>H</sub>	ICR00 [R/W] B, H, W ---11111	ICR01 [R/W] B, H, W ---11111	ICR02 [R/W] B, H, W ---11111	ICR03 [R/W] B, H, W ---11111	Interrupt control unit	
000444 <sub>H</sub>	ICR04 [R/W] B, H, W ---11111	ICR05 [R/W] B, H, W ---11111	ICR06 [R/W] B, H, W ---11111	ICR07 [R/W] B, H, W ---11111		
000448 <sub>H</sub>	ICR08 [R/W] B, H, W ---11111	ICR09 [R/W] B, H, W ---11111	ICR10 [R/W] B, H, W ---11111	ICR11 [R/W] B, H, W ---11111		
00044C <sub>H</sub>	ICR12 [R/W] B, H, W ---11111	ICR13 [R/W] B, H, W ---11111	ICR14 [R/W] B, H, W ---11111	ICR15 [R/W] B, H, W ---11111		
000450 <sub>H</sub>	ICR16 [R/W] B, H, W ---11111	ICR17 [R/W] B, H, W ---11111	ICR18 [R/W] B, H, W ---11111	ICR19 [R/W] B, H, W ---11111		
000454 <sub>H</sub>	ICR20 [R/W] B, H, W ---11111	ICR21 [R/W] B, H, W ---11111	ICR22 [R/W] B, H, W ---11111	ICR23 [R/W] B, H, W ---11111		
000458 <sub>H</sub>	ICR24 [R/W] B, H, W ---11111	ICR25 [R/W] B, H, W ---11111	ICR26 [R/W] B, H, W ---11111	ICR27 [R/W] B, H, W ---11111		
00045C <sub>H</sub>	ICR28 [R/W] B, H, W ---11111	ICR29 [R/W] B, H, W ---11111	ICR30 [R/W] B, H, W ---11111	ICR31 [R/W] B, H, W ---11111		
000460 <sub>H</sub>	ICR32 [R/W] B, H, W ---11111	ICR33 [R/W] B, H, W ---11111	ICR34 [R/W] B, H, W ---11111	ICR35 [R/W] B, H, W ---11111		
000464 <sub>H</sub>	ICR36 [R/W] B, H, W ---11111	ICR37 [R/W] B, H, W ---11111	ICR38 [R/W] B, H, W ---11111	ICR39 [R/W] B, H, W ---11111		
000468 <sub>H</sub>	ICR40 [R/W] B, H, W ---11111	ICR41 [R/W] B, H, W ---11111	ICR42 [R/W] B, H, W ---11111	ICR43 [R/W] B, H, W ---11111		
00046C <sub>H</sub>	ICR44 [R/W] B, H, W ---11111	ICR45 [R/W] B, H, W ---11111	ICR46 [R/W] B, H, W ---11111	ICR47 [R/W] B, H, W ---11111		
000470 <sub>H</sub> to 00047C <sub>H</sub>	—	—	—	—		Unused

(Continued)



# MB91230 Series

(Continued)

Address	Register				Block
	+ 0	+ 1	+ 2	+ 3	
000480 <sub>H</sub>	RSRR [R/W] B, H, W 10000000	STCR [R/W] B, H, W 00110011	TBCR [R/W] B, H, W 00XXXX00	CTBR [W] B, H, W XXXXXXXXXX	Clock control
000484 <sub>H</sub>	CLKR [R/W] B, H, W 00000000	WPR [R/W] B, H, W XXXXXXXXXX	DIVR0 [R/W] B, H, W 00000011	DIVR1 [R/W] B, H, W 00000000	
000488 <sub>H</sub>	—	—	OSCCR [R/W] B XXXXXXXX0	—	
00048C <sub>H</sub>	WPCR [R/W] B 00---000	—	—	—	Watch timer
000490 <sub>H</sub>	OSCR [R/W] B 00---000	—	—	—	Main clock oscillation stabilization wait timer
000494 <sub>H</sub> to 0004FC <sub>H</sub>	—	—	—	—	Unused
000500 <sub>H</sub>	—	PCR1 [R/W] B 00000000	—	PCR3 [R/W] B 00000000	Pull-up control register
000504 <sub>H</sub> to 00051C <sub>H</sub>	—	—	—	—	Unused
000520 <sub>H</sub> to 0007F8 <sub>H</sub>	—	—	—	—	Unused
0007FC <sub>H</sub>	—	MODR* XXXXXXXXXX	—	—	Operation mode
000800 <sub>H</sub> to 000AFC <sub>H</sub>	—	—	—	—	Unused
000B00 <sub>H</sub> to 000FFC <sub>H</sub>	—	—	—	—	Unused
001000 <sub>H</sub> to 001FFC <sub>H</sub>	—	—	—	—	Unused

\* : This register is set when the mode vector is fetched. Not user-accessible.

# MB91230 Series

## ■ INTERRUPT VECTOR

Interrupt source	Interrupt number		Interrupt level	Offset	TBR default address
	10	16			
Reset	0	00	—	3FC <sub>H</sub>	000FFFFC <sub>H</sub>
Mode vector	1	01	—	3F8 <sub>H</sub>	000FFFF8 <sub>H</sub>
System reserved	2	02	—	3F4 <sub>H</sub>	000FFFF4 <sub>H</sub>
System reserved	3	03	—	3F0 <sub>H</sub>	000FFFF0 <sub>H</sub>
System reserved	4	04	—	3EC <sub>H</sub>	000FFFE <sub>C</sub>
System reserved	5	05	—	3E8 <sub>H</sub>	000FFFE8 <sub>H</sub>
System reserved	6	06	—	3E4 <sub>H</sub>	000FFFE4 <sub>H</sub>
Coprocessor absent trap	7	07	—	3E0 <sub>H</sub>	000FFFE0 <sub>H</sub>
Coprocessor error trap	8	08	—	3DC <sub>H</sub>	000FFFD <sub>C</sub>
INTE instruction	9	09	—	3D8 <sub>H</sub>	000FFFD8 <sub>H</sub>
Instruction break exception	10	0A	—	3D4 <sub>H</sub>	000FFFD4 <sub>H</sub>
Operand break trap	11	0B	—	3C0 <sub>H</sub>	000FFFD0 <sub>H</sub>
Step trace trap	12	0C	—	3CC <sub>H</sub>	000FFFC <sub>C</sub>
NMI request (tool)	13	0D	—	3C8 <sub>H</sub>	000FFFC8 <sub>H</sub>
Undefined instruction exception	14	0E	—	3C4 <sub>H</sub>	000FFFC4 <sub>H</sub>
NMI request (This model has no NMI request)	15	0F	15 (F <sub>H</sub> ) fixed	3C0 <sub>H</sub>	000FFFC0 <sub>H</sub>
External interrupt 0	16	10	ICR00	3BC <sub>H</sub>	000FFFB <sub>C</sub>
External interrupt 1	17	11	ICR01	3B8 <sub>H</sub>	000FFFB8 <sub>H</sub>
External interrupt 2	18	12	ICR02	3B4 <sub>H</sub>	000FFFB4 <sub>H</sub>
External interrupt 3	19	13	ICR03	3B0 <sub>H</sub>	000FFFB0 <sub>H</sub>
External interrupt 4	20	14	ICR04	3AC <sub>H</sub>	000FFFA <sub>C</sub>
External interrupt 5	21	15	ICR05	3A8 <sub>H</sub>	000FFFA8 <sub>H</sub>
External interrupt 6	22	16	ICR06	3A4 <sub>H</sub>	000FFFA4 <sub>H</sub>
External interrupt 7	23	17	ICR07	3A0 <sub>H</sub>	000FFFA0 <sub>H</sub>
Reload timer 0	24	18	ICR08	39C <sub>H</sub>	000FFF9 <sub>C</sub>
Reload timer 1	25	19	ICR09	398 <sub>H</sub>	000FFF98 <sub>H</sub>
Reload timer 2	26	1A	ICR10	394 <sub>H</sub>	000FFF94 <sub>H</sub>
UART0(Reception completed)	27	1B	ICR11	390 <sub>H</sub>	000FFF90 <sub>H</sub>
UART0 (Transmission completed)	28	1C	ICR12	38C <sub>H</sub>	000FFF8 <sub>C</sub>
UART1 (Reception completed)	29	1D	ICR13	388 <sub>H</sub>	000FFF88 <sub>H</sub>
UART1 (Transmission completed)	30	1E	ICR14	384 <sub>H</sub>	000FFF84 <sub>H</sub>
UART2 (Reception completed)	31	1F	ICR15	380 <sub>H</sub>	000FFF80 <sub>H</sub>
UART2 (Transmission completed)	32	20	ICR16	37C <sub>H</sub>	000FFF7 <sub>C</sub>

(Continued)

# MB91230 Series

Interrupt source	Interrupt number		Interrupt level	Offset	TBR default address
	10	16			
UART3 (Reception completed)	33	21	ICR17	378 <sub>H</sub>	000FFF78 <sub>H</sub>
UART3 (Transmission completed)	34	22	ICR18	374 <sub>H</sub>	000FFF74 <sub>H</sub>
A/D ch0	35	23	ICR19	370 <sub>H</sub>	000FFF70 <sub>H</sub>
A/D ch1	36	24	ICR20	36C <sub>H</sub>	000FFF6C <sub>H</sub>
External interrupt8	37	25	ICR21	368 <sub>H</sub>	000FFF68 <sub>H</sub>
External interrupt9	38	26	ICR22	364 <sub>H</sub>	000FFF64 <sub>H</sub>
External interrupt 10	39	27	ICR23	360 <sub>H</sub>	000FFF60 <sub>H</sub>
External interrupt 11	40	28	ICR24	35C <sub>H</sub>	000FFF5C <sub>H</sub>
External interrupt 12	41	29	ICR25	358 <sub>H</sub>	000FFF58 <sub>H</sub>
External interrupt 13	42	2A	ICR26	354 <sub>H</sub>	000FFF54 <sub>H</sub>
External interrupt 14	43	2B	ICR27	350 <sub>H</sub>	000FFF50 <sub>H</sub>
External interrupt 15	44	2C	ICR28	34C <sub>H</sub>	000FFF4C <sub>H</sub>
Real-time clock	45	2D	ICR29	348 <sub>H</sub>	000FFF48 <sub>H</sub>
Main clock oscillation stabilization wait timer	46	2E	ICR30	344 <sub>H</sub>	000FFF44 <sub>H</sub>
Timebase timer 0 overflow	47	2F	ICR31	340 <sub>H</sub>	000FFF40 <sub>H</sub>
Reload timer 3	48	30	ICR32	33C <sub>H</sub>	000FFF3C <sub>H</sub>
Watch timer	49	31	ICR33	338 <sub>H</sub>	000FFF38 <sub>H</sub>
UD Counter 0	50	32	ICR34	334 <sub>H</sub>	000FFF34 <sub>H</sub>
UD Counter 1	51	33	ICR35	330 <sub>H</sub>	000FFF30 <sub>H</sub>
PPG 0/1	52	34	ICR36	32C <sub>H</sub>	000FFF2C <sub>H</sub>
PPG 2/3	53	35	ICR37	328 <sub>H</sub>	000FFF28 <sub>H</sub>
PPG 4/5	54	36	ICR38	324 <sub>H</sub>	000FFF24 <sub>H</sub>
Free-run timer 0	55	37	ICR39	320 <sub>H</sub>	000FFF20 <sub>H</sub>
Free-run timer 1	56	38	ICR40	31C <sub>H</sub>	000FFF1C <sub>H</sub>
ICU 0 (capture)	57	39	ICR41	318 <sub>H</sub>	000FFF18 <sub>H</sub>
ICU 1 (capture)	58	3A	ICR42	314 <sub>H</sub>	000FFF14 <sub>H</sub>
OCU 0 (match)	59	3B	ICR43	310 <sub>H</sub>	000FFF10 <sub>H</sub>
OCU 1 (match)	60	3C	ICR44	30C <sub>H</sub>	000FFF0C <sub>H</sub>
OCU 2 (match)	61	3D	ICR45	308 <sub>H</sub>	000FFF08 <sub>H</sub>
OCU 3 (match)	62	3E	ICR46	304 <sub>H</sub>	000FFF04 <sub>H</sub>
Delay interrupt source bit	63	3F	ICR47	300 <sub>H</sub>	000FFF00 <sub>H</sub>
System reserved (Used by REALOS)	64	40	—	2FC <sub>H</sub>	000FFEFC <sub>H</sub>
System reserved (Used by REALOS)	65	41	—	2F8 <sub>H</sub>	000FFE8 <sub>H</sub>
System reserved	66	42	—	2F4 <sub>H</sub>	000FEF4 <sub>H</sub>

(Continued)

# MB91230 Series

(Continued)

Interrupt source	Interrupt number		Interrupt level	Offset	TBR default address
	10	16			
System reserved	67	43	—	2F0 <sub>H</sub>	000FFE0 <sub>H</sub>
System reserved	68	44	—	2EC <sub>H</sub>	000FEEC <sub>H</sub>
System reserved	69	45	—	2E8 <sub>H</sub>	000FEE8 <sub>H</sub>
System reserved	70	46	—	2E4 <sub>H</sub>	000FEE4 <sub>H</sub>
System reserved	71	47	—	2E0 <sub>H</sub>	000FEE0 <sub>H</sub>
System reserved	72	48	—	2DC <sub>H</sub>	000FEDC <sub>H</sub>
System reserved	73	49	—	2D8 <sub>H</sub>	000FED8 <sub>H</sub>
System reserved	74	4A	—	2D4 <sub>H</sub>	000FED4 <sub>H</sub>
System reserved	75	4B	—	2D0 <sub>H</sub>	000FED0 <sub>H</sub>
System reserved	76	4C	—	2CC <sub>H</sub>	000FECC <sub>H</sub>
System reserved	77	4D	—	2C8 <sub>H</sub>	000FEC8 <sub>H</sub>
System reserved	78	4E	—	2C4 <sub>H</sub>	000FEC4 <sub>H</sub>
System reserved	79	4F	—	2C0 <sub>H</sub>	000FEC0 <sub>H</sub>
Used by INT instruction	80 to 255	50 to FF	—	2BC <sub>H</sub> to 000 <sub>H</sub>	000FEBC <sub>H</sub> to 000FC00 <sub>H</sub>

## ■ PIN STATUS IN EACH CPU STATE

Terms used as the status of pins mean as follows.

- Input enabled  
Indicates that the input function can be used.
- Input 0 fixed  
Indicates that the input level has been internally fixed to be “0” to prevent leakage when the input is released.
- Output Hi-Z  
Means the placing of a pin in a high impedance state by preventing the transistor for driving the pin from driving.
- Output is maintained  
Indicates the output in the output state existing immediately before this mode is established. If the device enters this mode with an internal output peripheral operating or while serving as an output port, the output is performed by the internal peripheral or the port output is maintained, respectively.
- State existing immediately before is maintained  
When the device serves for output or input immediately before entering this mode, the device maintains the output or is ready for the input, respectively.

# MB91230 Series

• Pin Status List

Pin no.	Pin name	Port name	Specified function name			At initializing		At sleep mode	At Stop mode		Remarks
			Input	Output	Input/Output	Function name	Reset initialization		HIZ = 0	HIZ = 1	
1	P26/ SCK2	P26	—	—	SCK2	P26	Output Hi-Z/ Input enabled	Retention of the immediately prior state	Retention of the immediately prior state	Output Hi-Z/ Input 0 fixed	
2	P27/ SIN3	P27	SIN3	—	—	P27					
3	P30/ SOT3	P30	—	SOT3	—	P30					Pull-up options can be selected
4	P31/ SCK3	P31	—	—	SCK3	P31					Pull-up options can be selected
5	P32/ AIN0	P32	AIN0	—	—	P32					Pull-up options can be selected
6	P33/ BIN0	P33	BIN0	—	—	P33					Pull-up options can be selected
7	P34/ ZIN0	P34	ZIN0	—	—	P34					Pull-up options can be selected
8	P35/ AIN1	P35	AIN1	—	—	P35					Pull-up options can be selected
9	P36/ BIN1	P36	BIN1	—	—	P36					Pull-up options can be selected
10	P37/ ZIN1	P37	ZIN1	—	—	P37					Pull-up options can be selected
11	P40/ PPG0	P40	—	PPG 0	—	P40					
12	P41/ PPG1	P41	—	PPG 1	—	P41					

(Continued)

# MB91230 Series

Pin no.	Pin name	Port name	Specified function name			At initializing		At sleep mode	At Stop mode		Remarks	
			Input	Output	Input/Output	Function name	Reset initialization		HIZ = 0	HIZ = 1		
13	X0A	—	—	—	—	—	—	—	—			
14	X1A	—	—	—	—	—	—	—	—			
15	V <sub>cc3B</sub> / V <sub>cc</sub>	—	—	—	—	—	—	—	—			
16	V <sub>ss</sub>	—	—	—	—	—	—	—	—			
17	V <sub>cc3</sub>	—	—	—	—	—	—	—	—			
18	P42/ PPG2	P42	—	PPG2	—	P42	Output Hi-Z/ Input enabled	Retention of the immediately prior state	Retention of the immediately prior state	Output Hi-Z/ Input 0 fixed		
19	P43/ PPG3	P43	—	PPG3	—	P43						
20	P44/ TOT0	P44	—	TOT0	—	P44						
21	P45/ TOT1	P45	—	TOT1	—	P45						
22	P46/ TOT2	P46	—	TOT2	—	P46						
23	P47/ CKOT	P47	—	CKOT	—	P47						
24	P50/ INT8	P50	INT8	—	—	P50					Retention of the immediately prior state	P : Retention of the immediately prior state  F : Input enabled
25	P51/ INT9	P51	INT9	—	—	P51						
26	P52/ INT10	P52	INT10	—	—	P52						
27	P53/ INT11/ PPG4	P53	INT11	PPG4	—	P53						
28	P54/ INT12/ PPG5	P54	INT12	PPG5	—	P54						
29	P55/ INT13/ TIN2	P55	INT13 TIN2	—	—	P55						
30	P56/ INT14/ TIN1	P56	INT14 TIN1	—	—	P56						

Note : P : Port selected, F : Specified function selected

(Continued)

# MB91230 Series

Pin no.	Pin name	Port name	Specified function name			At initializing		At sleep mode	At Stop mode		Re-remarks	
			Input	Output	Input/Output	Function name	Reset initialization		HIZ = 0	HIZ = 1		
31	P57/ INT15/ TIN0/ ADTG0	P57	INT15 TIN0 ADTG0	—	—	P57	Output Hi-Z/ Input enabled	Retention of the immediately prior state	P : Retention of the immediately prior state	P : Output Hi-Z		
32	PF3/ TOT3	PF3	—	TOT3	—	PF3			Retention of the immediately prior state	F : Input enabled		F : Input 0 enabled
33	PF4/ TIN3/ ADTG1	PF4	TIN3 ADTG1	—	—	PF4				Retention of the immediately prior state		Output Hi-Z/ Input 0 fixed
34	PD0/ DA0	PD0	—	DA0	—	PD0						
35	PD1/ DA1	PD1	—	DA1	—	PD1						
36	AV <sub>cc</sub>	—	—	—	—	—	—	—	—			
37	AVRH	—	—	—	—	—	—	—	—			
38	AV <sub>ss</sub>	—	—	—	—	—	—	—	—			
39	PC0/ AN0	PC0	AN0	—	—	PC0	Output Hi-Z/ Input enabled	Retention of the immediately prior state	Retention of the immediately prior state	Output Hi-Z/ Input 0 fixed		
40	PC1/ AN1	PC1	AN1	—	—	PC1						
41	PC2/ AN2	PC2	AN2	—	—	PC2	Output Hi-Z/ Input enabled	Retention of the immediately prior state	Retention of the immediately prior state	Output Hi-Z/ Input 0 fixed		
42	PC3/ AN3	PC3	AN3	—	—	PC3						
43	PC4/ AN4	PC4	AN4	—	—	PC4						
44	PC5/ AN5	PC5	AN5	—	—	PC5						
45	PC6/ AN6	PC6	AN6	—	—	PC6						
46	PC7/ AN7	PC7	AN7	—	—	PC7						

Note : P : Port selected, F : Specified function selected

(Continued)



# MB91230 Series

Pin no.	Pin name	Port name	Specified function name			At initializing		At sleep mode	At Stop mode		Re-remarks
			Input	Output	Input/Output	Function name	Reset initialization		HIZ = 0	HIZ = 1	
47	V <sub>SS</sub>	—	—	—	—	—	—	—	—		
48	V <sub>CC3IO</sub>	—	—	—	—	—	—	—	—		
49	P80/ SEG0	P80	—	SEG0	—	P80	Output Hi-Z/ Input enabled	Retention of the immediately prior state	Retention of the immediately prior state	P : Output Hi-Z/ Input 0 fixed  F : Retention of the immediately prior state	
50	P81/ SEG1	P81	—	SEG1	—	P81					
51	P82/ SEG2	P82	—	SEG2	—	P82					
52	P83/ SEG3	P83	—	SEG3	—	P83					
53	P84/ SEG4	P84	—	SEG4	—	P84					
54	P85/ SEG5	P85	—	SEG5	—	P85					
55	P86/ SEG6	P86	—	SEG6	—	P86					
56	P87/ SEG7	P87	—	SEG7	—	P87					
57	P90/ SEG8	P90	—	SEG8	—	P90					
58	P91/ SEG9	P91	—	SEG9	—	P91					
59	P92/ SEG10	P92	—	SEG10	—	P92					
60	P93/ SEG11	P93	—	SEG11	—	P93					
61	P94/ SEG12	P94	—	SEG12	—	P94					
62	P95/ SEG13	P95	—	SEG13	—	P95					
63	P96/ SEG14	P96	—	SEG14	—	P96					

Note : P : Port selected, F : Specified function selected

(Continued)

# MB91230 Series

Pin no.	Pin name	Port name	Specified function name			At initializing		At sleep mode	At Stop mode		Re- marks
			Input	Output	Input/ Output	Function name	Reset initialization		HIZ = 0	HIZ = 1	
64	P97/ SEG15	P97	—	SEG15	—	P97	Output Hi-Z/ Input enabled	Retention of the immediately prior state	Retention of the immediately prior state	P : Output Hi-Z/ Input 0 fixed F : Retention of the immediately prior state	
65	PA0/ SEG16	PA0	—	SEG16	—	PA0					
66	PA1/ SEG17	PA1	—	SEG17	—	PA1					
67	PA2/ SEG18	PA2	—	SEG18	—	PA2					
68	PA3/ SEG19	PA3	—	SEG19	—	PA3					
69	PA4/ SEG20	PA4	—	SEG20	—	PA4					
70	PA5/ SEG21	PA5	—	SEG21	—	PA5					
71	PA6/ SEG22	PA6	—	SEG22	—	PA6					
72	PA7/ SEG23	PA7	—	SEG23	—	PA7					
73	PB0/ SEG24	PB0	—	SEG24	—	PB0					
74	PB1/ SEG25	PB1	—	SEG25	—	PB1					
75	V <sub>CC</sub>	—	—	—	—	—	—	—	—		
76	V <sub>SS</sub>	—	—	—	—	—	—	—	—		
77	PB2/ SEG26	PB2	—	SEG26	—	PB2	Output Hi-Z/ Input enabled	Retention of the immediately prior state	Retention of the immediately prior state	P : Output Hi-Z/ Input 0 fixed F : Retention of the immediately prior state	
78	PB3/ SEG27	PB3	—	SEG27	—	PB3					
79	P64/ SEG28	P64	—	SEG28	—	P64					

Note : P : Port selected, F : Specified function selected

(Continued)

# MB91230 Series

Pin no.	Pin name	Port name	Specified function name			At initializing		At sleep mode	At Stop mode		Re- marks
			Input	Output	Input/ Output	Function name	Reset initialization		HIZ = 0	HIZ = 1	
80	P65/ SEG29	P65	—	SEG29	—	P65	Output Hi-Z/ Input enabled	Retention of the immediately prior state	Retention of the immediately prior state	P : Output Hi-Z/ Input 0 fixed  F : Retention of the immediately prior state	open- drain pin, I <sub>OL</sub> = 20 mA
81	P66/ SEG30	P66	—	SEG30	—	P66					open- drain pin, I <sub>OL</sub> = 20 mA
82	P67/ SEG31	P67	—	SEG31	—	P67					open- drain pin, I <sub>OL</sub> = 20 mA
83	P70/ COM0	P70	—	COM0	—	P70					
84	P71/ COM1	P71	—	COM1	—	P71					
85	P72/ COM2	P72	—	COM2	—	P72					
86	P73/ COM3	P73	—	COM3	—	P73					
87	MOD2	—	—	—	—	—	—	—	—	—	
88	MOD1	—	—	—	—	—	—	—	—	—	
89	MOD0	—	—	—	—	—	—	—	—	—	
90	INIT	—	—	—	—	—	—	—	—	—	
91	V0	—	—	—	—	—	—	—	—	—	
92	V1	—	—	—	—	—	—	—	—	—	
93	V2	—	—	—	—	—	—	—	—	—	
94	V3	—	—	—	—	—	—	—	—	—	

Note : P : Port selected, F : Specified function selected

(Continued)

# MB91230 Series

Pin no.	Pin name	Port name	Specified function name			At initializing		At sleep mode	At Stop mode		Remarks
			Input	Output	Input/Output	Function name	Reset initialization		HIZ = 0	HIZ = 1	
95	P00/ SIN0	P00	SIN0	—	—	P00	Output Hi-Z/ Input enabled	Retention of the immediately prior state	Retention of the immediately prior state	Output Hi-Z/ Input 0 fixed	
96	P01/ SOT0	P01	—	SOT0	—	P01					
97	P02/ SCK0	P02	—	—	SCK0	P02					
98	P03/ SIN1	P03	SIN1	—	—	P03					
99	P04/ SOT1	P04	—	SOT1	—	P04					
100	P05/ SCK1	P05	—	—	SCK1	P05					
101	P06/ IC0	P06	IC0	—	—	P06					
102	P07/ IC1	P07	IC1	—	—	P07					
103	P10/ INT0	P10	INT0	—	—	P10					
104	P11/ INT1	P11	INT1	—	—	P11					
105	V <sub>CC</sub>	—	—	—	—	—	—	—	—		
106	V <sub>SS</sub>	—	—	—	—	—	—	—	—		
107	X1	—	—	—	—	—	—	—	—		
108	X0	—	—	—	—	—	—	—	—		

Note : P : Port selected, F : Specified function selected

(Continued)

(Continued)

Pin no.	Pin name	Port name	Specified function name			At initializing		At sleep mode	At Stop mode		Remarks
			Input	Output	Input/Output	Function name	Reset initialization		HIZ = 0	HIZ = 1	
109	P12/ INT2	P12	INT2	—	—	P12	Output Hi-Z/ Input enabled	Retention of the immediately prior state	P : Retention of the immediately prior state  F : Input enabled	P : Output Hi-Z  F : Input enabled	Pull-up options can be selected
110	P13/ INT3	P13	INT3	—	—	P13					Pull-up options can be selected
111	P14/ INT4	P14	INT4	—	—	P14					Pull-up options can be selected
112	P15/ INT5	P15	INT5	—	—	P15					Pull-up options can be selected
113	P16/ INT6	P16	INT6	—	—	P16					Pull-up options can be selected
114	P17/ INT7	P17	INT7	—	—	P17					Pull-up options can be selected
115	P20/ CKI0/ OP0	P20	CKI0	OP0	—	P20			Retention of the immediately prior state	Output Hi-Z/ Input 0 fixed	
116	P21/ CKI1/ OP1	P21	CKI1	OP1	—	P21					
117	P22/ PWI0/ OP2	P22	PWI0	OP2	—	P22					
118	P23/ PWI1/ OP3	P23	PWI1	OP3	—	P23					
119	P24/ SIN2	P24	SIN2	—	—	P24					
120	P25/ SOT2	P25	—	SOT2	—	P25					

Note : P : Port selected, F : Specified function selected

# MB91230 Series

## ■ ELECTRICAL CHARACTERISTICS

### 1. Absolute Maximum Ratings

#### MB91F233, MB91V230

Parameter	Symbol	Rating		Unit	Remarks
		Min	Max		
Power supply voltage*	V <sub>CC</sub>	V <sub>SS</sub> -0.5	V <sub>SS</sub> + 6.0	V	
	V <sub>CC3</sub>	V <sub>SS</sub> -0.5	V <sub>SS</sub> + 4.0	V	
	V <sub>CC3IO</sub>	V <sub>SS</sub> -0.5	V <sub>SS</sub> + 4.0	V	
Analog power supply voltage*	AV <sub>CC</sub>	V <sub>SS</sub> -0.5	V <sub>SS</sub> + 4.0	V	
Input voltage*	V <sub>I</sub>	V <sub>SS</sub> -0.5	V <sub>CC</sub> + 0.5	V	
Input voltage* (open-drain)	V <sub>IND</sub>	V <sub>SS</sub> -0.5	V <sub>CC</sub> + 0.5	V	
Analog pin input voltage*	V <sub>IA</sub>	V <sub>SS</sub> -0.5	AV <sub>CC</sub> + 0.5	V	
Output voltage*	V <sub>O</sub>	V <sub>SS</sub> -0.5	V <sub>CC</sub> + 0.5	V	
Operating ambient temperature	T <sub>a</sub>	-40	+ 85	°C	
Storage temperature	T <sub>stg</sub>	-55	+ 125	°C	

\* : This parameter is based on V<sub>SS</sub> = AV<sub>SS</sub> = 0.0 V.

#### MB91F233L, MB91233L

Parameter	Symbol	Rating		Unit	Remarks
		Min	Max		
Power supply voltage*	V <sub>CC</sub>	V <sub>SS</sub> -0.5	V <sub>SS</sub> + 4.0	V	
	V <sub>CC3</sub>	V <sub>SS</sub> -0.5	V <sub>SS</sub> + 4.0	V	
	V <sub>CC3IO</sub>	V <sub>SS</sub> -0.5	V <sub>SS</sub> + 4.0	V	
Analog power supply voltage*	AV <sub>CC</sub>	V <sub>SS</sub> -0.5	V <sub>SS</sub> + 4.0	V	
Input voltage*	V <sub>I</sub>	V <sub>SS</sub> -0.5	V <sub>CC</sub> + 0.5	V	
Input voltage* (open-drain)	V <sub>IND</sub>	V <sub>SS</sub> -0.5	V <sub>CC</sub> + 0.5	V	
Analog pin input voltage*	V <sub>IA</sub>	V <sub>SS</sub> -0.5	AV <sub>CC</sub> + 0.5	V	
Output voltage*	V <sub>O</sub>	V <sub>SS</sub> -0.5	V <sub>CC</sub> + 0.5	V	
Operating ambient temperature	T <sub>a</sub>	-40	+ 85	°C	
Storage temperature	T <sub>stg</sub>	-55	+ 125	°C	

\* : This parameter is based on V<sub>SS</sub> = AV<sub>SS</sub> = 0.0 V.

WARNING: Semiconductor devices can be permanently damaged by application of stress (voltage, current, temperature, etc.) in excess of absolute maximum ratings. Do not exceed these ratings.

## 2. Recommended Operating Conditions

### MB91F233, MB91V230

( $V_{SS} = AV_{SS} = 0.0\text{ V}$ )

Parameter	Symbol	Value		Unit	Remarks
		Min	Max		
Operating ambient temperature	Ta	-40	+ 85	°C	
Power supply voltage	V <sub>CC</sub>	4.00	5.25	V	*1
	V <sub>CC3</sub>	3.00	3.60	V	*4
	V <sub>CC3B</sub>	3.00	3.60	V	
		2.20	3.60	V	*2
V <sub>CC3IO</sub>	3.00	3.60	V		
Analog power supply voltage	AV <sub>CC</sub>	3.00	3.60	V	
LCD reference voltage	V3	—	5.25	V	*3

### MB91F233L, MB91233L

( $V_{SS} = AV_{SS} = 0.0\text{ V}$ )

Parameter	Symbol	Value		Unit	Remarks
		Min	Max		
Operating ambient temperature	Ta	-40	+ 85	°C	
Power supply voltage	V <sub>CC</sub>	3.00	3.60	V	*1
	V <sub>CC3</sub>	3.00	3.60	V	*4
	V <sub>CC3B</sub>	3.00	3.60	V	
		2.20	3.60	V	*2
V <sub>CC3IO</sub>	3.00	3.60	V		
Analog power supply voltage	AV <sub>CC</sub>	3.00	3.60	V	
LCD reference voltage	V3	—	3.60	V	*3

\*1 : The standard power-supply voltage varies with the model of product.

\*2 : Only for backup. Set  $V_{CC3} = AV_{CC} = V_{CC3IO}$ .

\*3 : V3 must not exceed V<sub>CC</sub>.

\*4 : For the relationships between V<sub>CC3</sub> and operating frequencies, see section "4. AC Characteristics (4) Operation Assurance Range".

For the MB91V230, please inquire separately.

Note : For normal use, set  $V_{CC3} = V_{CC3B} = AV_{CC} = V_{CC3IO}$ .

**WARNING:** The recommended operating conditions are required in order to ensure the normal operation of the semiconductor device. All of the device's electrical characteristics are warranted when the device is operated within these ranges.

Always use semiconductor devices within their recommended operating condition ranges. Operation outside these ranges may adversely affect reliability and could result in device failure.

No warranty is made with respect to uses, operating conditions, or combinations not represented on the data sheet. Users considering application outside the listed conditions are advised to contact their FUJITSU representatives beforehand.

# MB91230 Series

## 3. DC Characteristics

### MB91V230, MB91F233

( $V_{CC} = 4.0 \text{ V to } 5.25 \text{ V}$ ,  $V_{CC3} = V_{CC3B} = V_{CC3IO} = AV_{CC} = 3.0 \text{ V to } 3.6 \text{ V}$ ,  $V_{SS} = AV_{SS} = 0.0 \text{ V}$ ,  $T_a = -40 \text{ }^\circ\text{C to } +85 \text{ }^\circ\text{C}$ )

Parameter	Symbol	Pin name	Conditions	Value			Unit	Remarks
				Min	Typ	Max		
Power supply current	I <sub>CC</sub>	V <sub>CC3</sub>	FLASH model normal operation, T <sub>a</sub> = +25 °C, F <sub>CP</sub> = 33 MHz, F <sub>CPP</sub> = 16.5 MHz	—	65	75	mA	
			FLASH model normal operation, T <sub>a</sub> = +25 °C, F <sub>CP</sub> = 33 MHz, F <sub>CPP</sub> = 33 MHz	—	73	83	mA	
	I <sub>CC3</sub>		RTC mode, @T <sub>a</sub> = +25 °C, F <sub>CP</sub> = 32 kHz	—	20	50	μA	Watch timer, RTC, LCDC V <sub>CC3</sub> = V <sub>CC3B</sub> = 2.4 V
	I <sub>CC4</sub>		STOP mode, @T <sub>a</sub> = +25 °C, F <sub>CP</sub> = 0 kHz	—	5	50	μA	
	I <sub>CC5</sub>		SLEEP mode F <sub>CP</sub> = 33 MHz, F <sub>CPP</sub> = 16.5 MHz	—	21	25	mA	
			SLEEP mode F <sub>CP</sub> = 33 MHz, F <sub>CPP</sub> = 33 MHz	—	30	35	mA	
"H" level input voltage	V <sub>IH</sub>	—	—	$V_{CC} \times 0.8$	—	V <sub>CC</sub>	V	
		X0A	V <sub>CC3B</sub> = 2.2 V to 3.6 V	$V_{CC3B} \times 0.8$	—	V <sub>CC3B</sub>	V	When external clock is used
"L" level input voltage	V <sub>IL</sub>	—	—	V <sub>SS</sub>	—	$V_{CC} \times 0.2$	V	
		X0A	V <sub>CC3B</sub> = 2.2 V to 3.6 V	V <sub>SS</sub>	—	V <sub>SS</sub> + 0.4	V	When external clock is used
"H" level output voltage	V <sub>OH</sub>	—	I <sub>OH</sub> = -4 mA	$V_{CC} - 0.5$	—	V <sub>CC</sub>	V	
"L" level output voltage	V <sub>OL</sub>	—	I <sub>OL</sub> = 4 mA	V <sub>SS</sub>	—	0.4	V	
		P64 to 67	I <sub>OL</sub> = 20 mA					
Input leakage current	I <sub>IL</sub>	—	—	-5	—	5	μA	
Open-drain output leakage current	I <sub>leak</sub>	—	—	-10	—	10	μA	

(Continued)



# MB91230 Series

(Continued)

( $V_{CC} = 4.0\text{ V to }5.25\text{ V}$ ,  $V_{CC3} = V_{CC3B} = V_{CC3IO} = AV_{CC} = 3.0\text{ V to }3.6\text{ V}$ ,  $V_{SS} = AV_{SS} = 0.0\text{ V}$ ,  $T_a = -40\text{ }^{\circ}\text{C to }+85\text{ }^{\circ}\text{C}$ )

Parameter	Symbol	Pin name	Conditions	Value			Unit	Remarks
				Min	Typ	Max		
LCD division resistance	$R_{LCD}$	V0 - V1, V1 - V2, V2 - V3	—	50	100	200	$k\Omega$	
COM0 to COM3 output impedance	$R_{VCOM}$	COM0 to COM3	V1 to V3 = 5.0 V	—	—	2.5	$k\Omega$	
SEG00 to SEG31 output impedance	$R_{VSEG}$	SEG00 to SEG31		—	—	15	$k\Omega$	
LCDC leakage current	$I_{LCDC}$	V0 to V3, COM0 to COM3, SEG00 to SEG31	—	-5	—	5	$\mu\text{A}$	

# MB91230 Series

## MB91F233L, MB91233L

( $V_{CC} = V_{CC3} = V_{CC3B} = V_{CC3IO} = AV_{CC} = 3.0\text{ V to }3.6\text{ V}$ ,  $V_{SS} = AV_{SS} = 0.0\text{ V}$ ,  $T_a = -40\text{ °C to }+85\text{ °C}$ )

Parameter	Symbol	Pin name	Conditions	Value			Unit	Remarks
				Min	Typ	Max		
Power supply current	I <sub>CC</sub>	V <sub>CC3</sub>	FLASH model normal operation, T <sub>a</sub> = +25 °C, F <sub>CP</sub> = 33 MHz, F <sub>CPP</sub> = 16.5 MHz	—	65	75	mA	
			FLASH model normal operation, T <sub>a</sub> = +25 °C, F <sub>CP</sub> = 33 MHz, F <sub>CPP</sub> = 33 MHz	—	73	83	mA	
	I <sub>CC</sub>		ROM model normal operation, T <sub>a</sub> = +25 °C, F <sub>CP</sub> = 33 MHz, F <sub>CPP</sub> = 16.5 MHz	—	45	55	mA	
			ROM model normal operation, T <sub>a</sub> = +25 °C, F <sub>CP</sub> = 33 MHz, F <sub>CPP</sub> = 33 MHz	—	55	65	mA	
	I <sub>CC(T)</sub>		RTC mode, @T <sub>a</sub> = +25 °C, F <sub>CP</sub> = 32 kHz	—	20	50	μA	Watch timer, RTC, LCDC V <sub>CC3</sub> = V <sub>CC3B</sub> = 2.4 V
	I <sub>CC(H)</sub>		STOP mode, @T <sub>a</sub> = +25 °C, F <sub>CP</sub> = 0 MHz	—	5	50	μA	
	I <sub>CC(S)</sub>		SLEEP mode F <sub>CP</sub> = 33 MHz, F <sub>CPP</sub> = 16.5 MHz	—	21	25	mA	
			SLEEP mode F <sub>CP</sub> = 33 MHz, F <sub>CPP</sub> = 33 MHz	—	30	35	mA	
"H" level input voltage	V <sub>IH</sub>	—	—	V <sub>CC</sub> × 0.8	—	V <sub>CC</sub>	V	
		X0A	V <sub>CC3B</sub> = 2.2 V to 3.6 V	V <sub>CC3B</sub> × 0.8	—	V <sub>CC3B</sub>	V	When external clock is used
"L" level input voltage	V <sub>IL</sub>	—	—	V <sub>SS</sub>	—	V <sub>CC</sub> × 0.15	V	
		X0A	V <sub>CC3B</sub> = 2.2 V to 3.6 V	V <sub>SS</sub>	—	V <sub>SS</sub> + 0.4	V	When external clock is used
"H" level output voltage	V <sub>OH</sub>	—	V <sub>CC</sub> = 3.3 V, I <sub>OH</sub> = -2 mA	V <sub>CC</sub> - 0.5	—	V <sub>CC</sub>	V	

(Continued)

# MB91230 Series

(Continued)

( $V_{CC} = V_{CC3} = V_{CC3B} = V_{CC3IO} = AV_{CC} = 3.0\text{ V to }3.6\text{ V}$ ,  $V_{SS} = AV_{SS} = 0.0\text{ V}$ ,  $T_a = -40\text{ }^{\circ}\text{C to }+85\text{ }^{\circ}\text{C}$ )

Parameter	Symbol	Pin name	Conditions	Value			Unit	Remarks
				Min	Typ	Max		
"L" level output voltage	$V_{OL}$	—	$I_{OL} = 2\text{ mA}$	$V_{SS}$	—	0.4	V	
		P64 to 67	$I_{OL} = 10\text{ mA}$					
Input leakage current	$I_{IL}$	—	—	-5	—	5	$\mu\text{A}$	
Open-drain output leakage current	$I_{leak}$	—	—	-10	—	10	$\mu\text{A}$	
LCD division resistance	$R_{LCD}$	V0 - V1, V1 - V2, V2 - V3	—	50	100	200	$\text{k}\Omega$	
COM0 to COM3 output impedance	$R_{VCOM}$	COM0 to COM3	V1 to V3 = 5.0 V	—	—	2.5	$\text{k}\Omega$	
SEG00 to SEG31 output impedance	$R_{VSEG}$	SEG00 to SEG31		—	—	15	$\text{k}\Omega$	
LCDC leakage current	$I_{LCDC}$	V0 to V3, COM0 to COM3, SEG00 to SEG31	—	-5	—	-5	$\mu\text{A}$	

# MB91230 Series

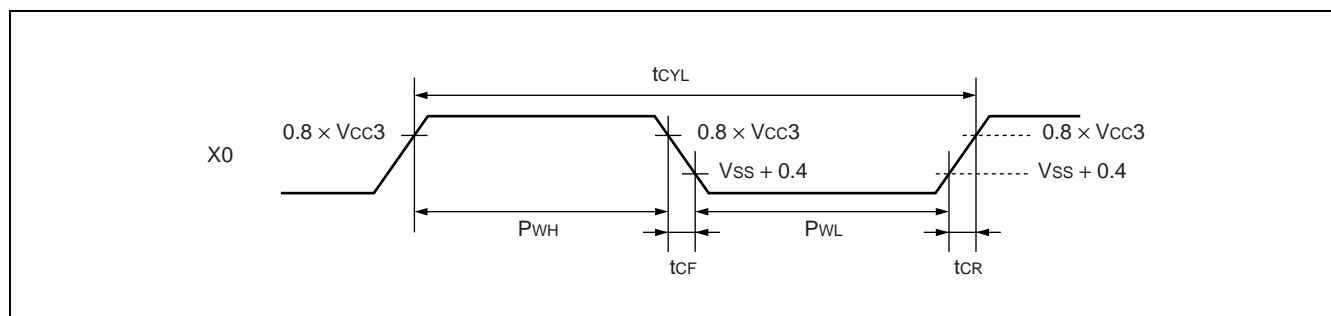
## 4. AC Characteristics

### (1) Main clock input standard

(MB91V230, MB91F233 :  $V_{CC} = 4.0\text{ V to }5.25\text{ V}$ ,  $V_{CC3} = V_{CC3B} = V_{CC3IO} = AV_{CC} = 3.0\text{ V to }3.6\text{ V}$ ,  $V_{SS} = AV_{SS} = 0.0\text{ V}$ ,  
 $T_a = -40\text{ }^\circ\text{C to }+85\text{ }^\circ\text{C}$ )

(MB91F233L, MB91233L :  $V_{CC} = V_{CC3} = V_{CC3B} = V_{CC3IO} = AV_{CC} = 3.0\text{ V to }3.6\text{ V}$ ,  $V_{SS} = AV_{SS} = 0.0\text{ V}$ ,  
 $T_a = -40\text{ }^\circ\text{C to }+85\text{ }^\circ\text{C}$ )

Parameter	Symbol	Pin name	Conditions	Value			Unit	Remarks
				Min	Typ	Max		
Input frequency	$F_C$	X0	—	3.6	4	4.2	MHz	
Input clock cycle	$t_{CYL}$		—	—	250	—	ns	
Input clock pulse width	—		$P_{WH}/t_{CYL}$ $P_{WL}/t_{CYL}$	40	—	60	%	
Input clock rise time and fall time	$t_{CR}$ $t_{CF}$		—	—	—	5	ns	At external clock
Internal operating clock frequency	$F_{CP}$	—	—	—	—	33.6	MHz	
Internal operating clock cycle time	$t_{CP}$	—	—	29.7	—	—	ns	
Peripheral clock frequency	$F_{CPP}$	—	—	—	—	33.6	MHz	Peripheral clock is derived from internal operating clock divided by 1/1 to 1/16.
Peripheral clock cycle time	$t_{CYCP}$	—	—	29.7	—	—	ns	

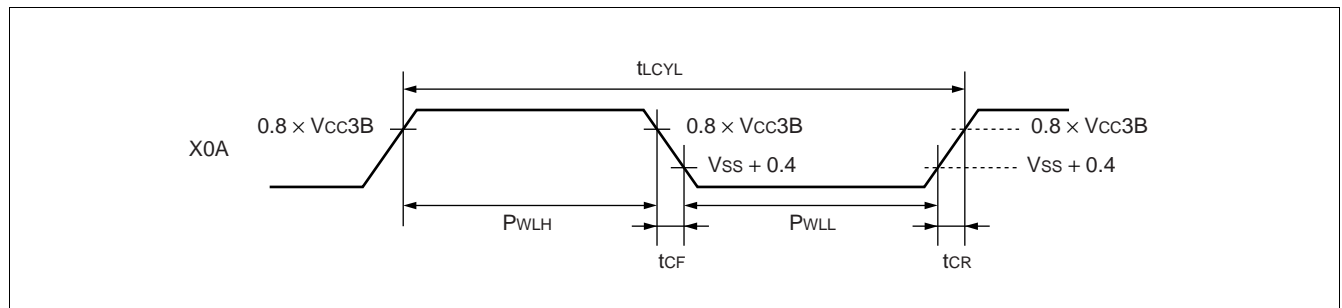


## (2) Subclock input standard

(MB91V230, MB91F233 :  $V_{CC} = 4.0 \text{ V to } 5.25 \text{ V}$ ,  $V_{CC3} = V_{CC3B} = V_{CC3IO} = AV_{CC} = 3.0 \text{ V to } 3.6 \text{ V}$ ,  $V_{SS} = AV_{SS} = 0.0 \text{ V}$ ,  
 $T_a = -40 \text{ }^\circ\text{C to } +85 \text{ }^\circ\text{C}$ )

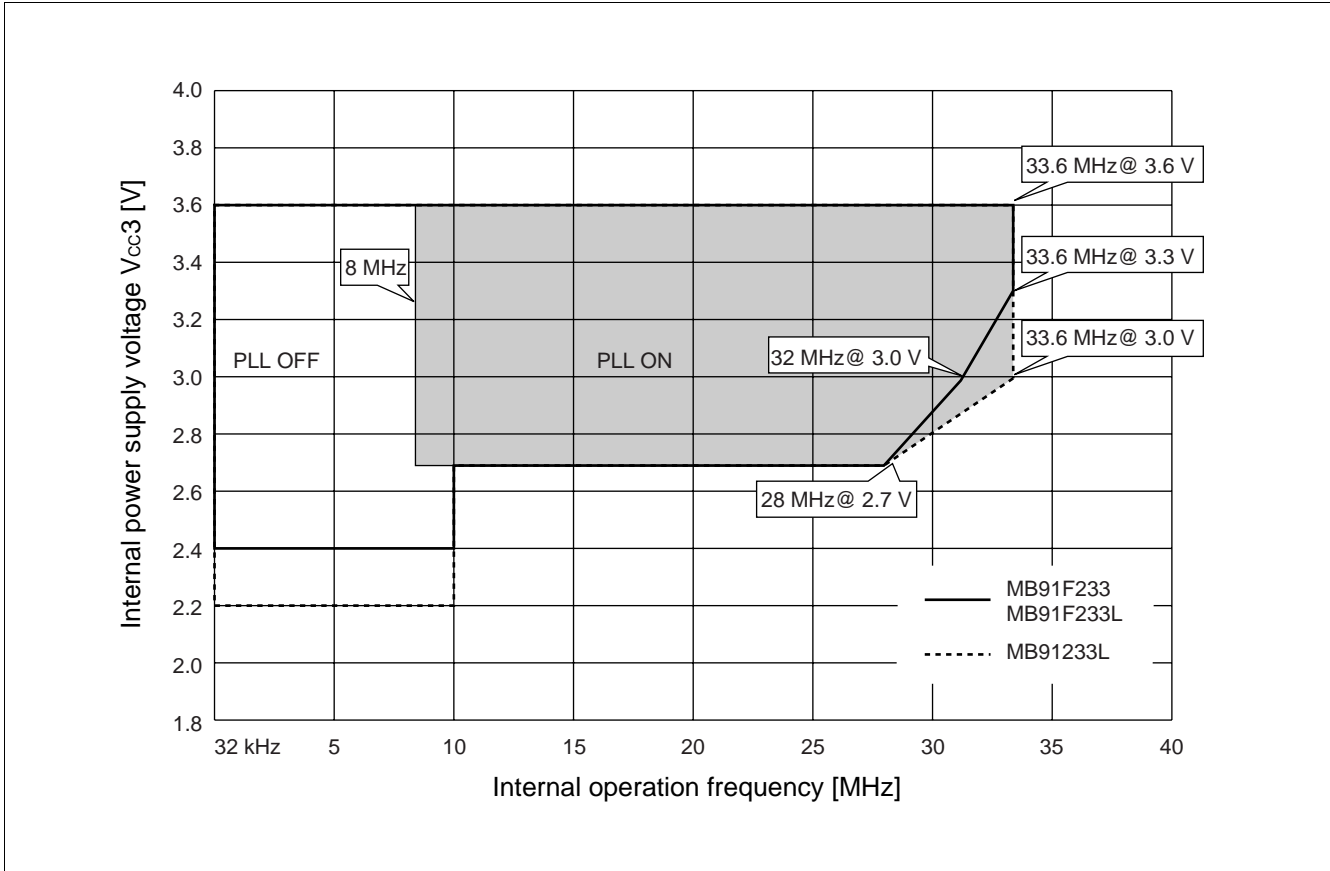
(MB91F233L, MB91233L :  $V_{CC} = V_{CC3} = V_{CC3B} = V_{CC3IO} = AV_{CC} = 3.0 \text{ V to } 3.6 \text{ V}$ ,  $V_{SS} = AV_{SS} = 0.0 \text{ V}$ ,  
 $T_a = -40 \text{ }^\circ\text{C to } +85 \text{ }^\circ\text{C}$ )

Parameter	Symbol	Pin name	Conditions	Value			Unit	Remarks
				Min	Typ	Max		
Input frequency	$F_{CL}$	X0A	—	—	32.768	—	kHz	At external clock
				28.571	32.768	35.714		
Input clock cycle	$t_{LCYL}$		—	28.0	—	35.0	$\mu\text{s}$	
Input clock pulse width	—		$\frac{P_{WLH}}{t_{LCYL}}$ $\frac{P_{WLL}}{t_{LCYL}}$	45	—	55	%	
Input clock rise time and fall time	—	$t_{CR}/t_{LCYL}$ $t_{CF}/t_{LCYL}$	—	—	5	%	At external clock	



# MB91230 Series

## (3) Operation Assurance Range



#### (4) PLL oscillation stabilization time (LOCK UP time)

(MB91V230, MB91F233 :  $V_{CC} = 4.0\text{ V to }5.25\text{ V}$ ,  $V_{CC3} = V_{CC3B} = V_{CC3IO} = AV_{CC} = 3.0\text{ V to }3.6\text{ V}$ ,  $V_{SS} = AV_{SS} = 0.0\text{ V}$ ,  
 $T_a = -40\text{ }^\circ\text{C to }+85\text{ }^\circ\text{C}$ )

(MB91F233L, MB91233L :  $V_{CC} = V_{CC3} = V_{CC3B} = V_{CC3IO} = AV_{CC} = 3.0\text{ V to }3.6\text{ V}$ ,  $V_{SS} = AV_{SS} = 0.0\text{ V}$ ,  
 $T_a = -40\text{ }^\circ\text{C to }+85\text{ }^\circ\text{C}$ )

Parameter	Symbol	value		Unit	Remarks
		Min	Max		
PLL oscillation stabilization (LOCK UP time)	$t_{LOCK}$	500	—	$\mu\text{s}$	Time from when the PLL starts operating to when its oscillation becomes stable

#### (5) Reset input standards

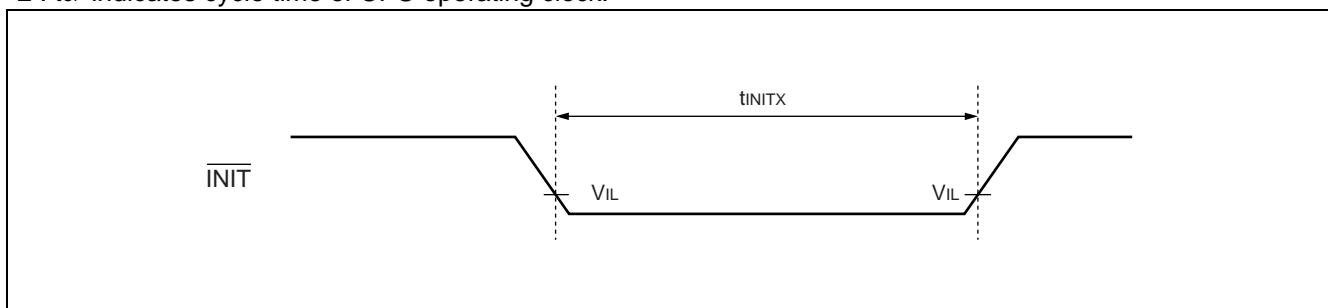
(MB91V230, MB91F233 :  $V_{CC} = 4.0\text{ V to }5.25\text{ V}$ ,  $V_{CC3} = V_{CC3B} = V_{CC3IO} = AV_{CC} = 3.0\text{ V to }3.6\text{ V}$ ,  $V_{SS} = AV_{SS} = 0.0\text{ V}$ ,  
 $T_a = -40\text{ }^\circ\text{C to }+85\text{ }^\circ\text{C}$ )

(MB91F233L, MB91233L :  $V_{CC} = V_{CC3} = V_{CC3B} = V_{CC3IO} = AV_{CC} = 3.0\text{ V to }3.6\text{ V}$ ,  $V_{SS} = AV_{SS} = 0.0\text{ V}$ ,  
 $T_a = -40\text{ }^\circ\text{C to }+85\text{ }^\circ\text{C}$ )

Parameter	Symbol	Pin name	Condi-tions	Value		Unit	Remarks
				Min	Max		
Reset input time (at power-on)	$t_{INITX}$	$\overline{INIT}$	—	—	—	ns	*1
Reset input time (other than at power-on)				$t_{CP} \times 10$	—	ns	*2

\*1 : When turning the power on, keep  $\overline{INIT}$  input until the oscillation circuit provides stable oscillation.

\*2 :  $t_{CP}$  indicates cycle time of CPU operating clock.



# MB91230 Series

## (6)UART timing

(MB91V230, MB91F233 :  $V_{CC} = 4.0\text{ V to }5.25\text{ V}$ ,  $V_{CC3} = V_{CC3B} = V_{CC3IO} = AV_{CC} = 3.0\text{ V to }3.6\text{ V}$ ,  $V_{SS} = AV_{SS} = 0.0\text{ V}$ ,  
 $T_a = -40\text{ }^\circ\text{C to }+85\text{ }^\circ\text{C}$ )

(MB91F233L, MB91233L :  $V_{CC} = V_{CC3} = V_{CC3B} = V_{CC3IO} = AV_{CC} = 3.0\text{ V to }3.6\text{ V}$ ,  $V_{SS} = AV_{SS} = 0.0\text{ V}$ ,  
 $T_a = -40\text{ }^\circ\text{C to }+85\text{ }^\circ\text{C}$ )

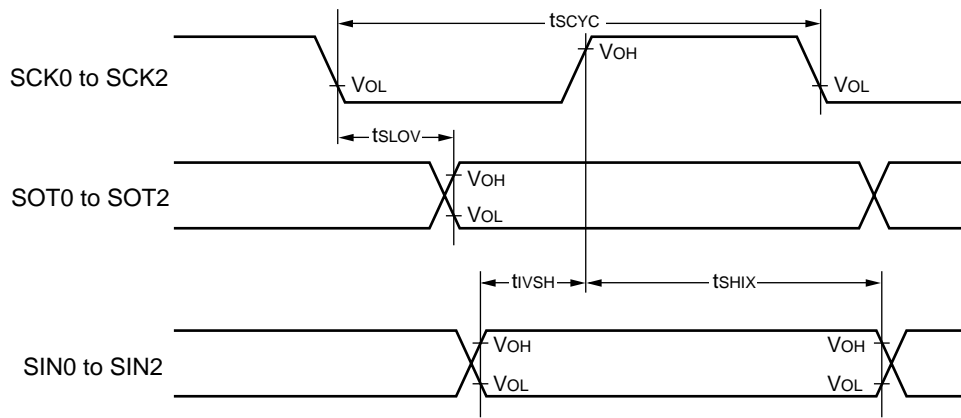
Parameter	Symbol	Pin name	Conditions	Value		Unit	Remarks
				Min	Max		
Serial clock cycle time	$t_{SCYC}$	SCK0 to SCK2	Internal shift clock operation	$8 t_{CYCP}^*$	—	ns	
SCK ↓ → SOT delay time	$t_{SLOV}$	SCK0 to SCK2, SOT0 to SOT2		-80	80	ns	
Valid SIN → SCK ↑	$t_{IVSH}$	SCK0 to SCK2, SIN0 to SIN2		100	—	ns	
SCK ↑ → Valid SIN hold time	$t_{SHIX}$	SCK0 to SCK2, SIN0 to SIN2		60	—	ns	
Serial clock "H" pulse width	$t_{SHSL}$	SCK0 to SCK2	External shift clock operation	$4 t_{CYCP}^*$	—	ns	
Serial clock "L" pulse width	$t_{SLSH}$	SCK0 to SCK2		$4 t_{CYCP}^*$	—	ns	
SCK ↓ → SOT delay time	$t_{SLOV}$	SCK0 to SCK2, SOT0 to SOT2		—	150	ns	
Valid SIN → SCK ↑	$t_{IVSH}$	SCK0 to SCK2, SIN0 to SIN2		60	—	ns	
SCK ↑ → Valid SIN hold time	$t_{SHIX}$	SCK0 to SCK2, SIN0 to SIN2		60	—	ns	

\* :  $t_{CYCP}$  represents the cycle time of peripheral operating clock.

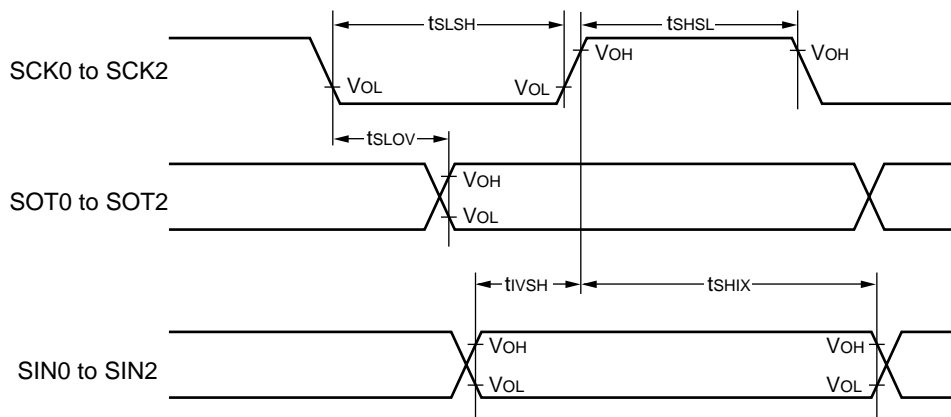
Note : This specification applies to clock synchronous mode operation.



- Internal shift clock mode



- External shift clock mode



# MB91230 Series

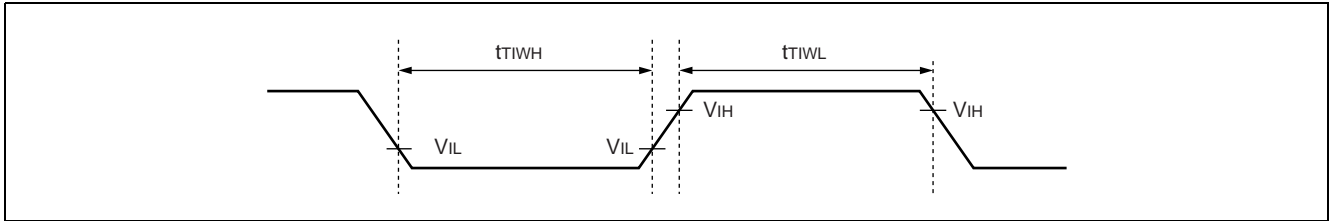
## (7) Free-run timer clock, Reload timer event input, Up/down counter input, Input capture input, Interrupt input timing

(MB91V230, MB91F233 :  $V_{CC} = 4.0\text{ V to }5.25\text{ V}$ ,  $V_{CC3} = V_{CC3B} = V_{CC3IO} = AV_{CC} = 3.0\text{ V to }3.6\text{ V}$ ,  $V_{SS} = AV_{SS} = 0.0\text{ V}$ ,  $T_a = -40\text{ }^\circ\text{C to }+85\text{ }^\circ\text{C}$ )

(MB91F233L, MB91233L :  $V_{CC} = V_{CC3} = V_{CC3B} = V_{CC3IO} = AV_{CC} = 3.0\text{ V to }3.6\text{ V}$ ,  $V_{SS} = AV_{SS} = 0.0\text{ V}$ ,  $T_a = -40\text{ }^\circ\text{C to }+85\text{ }^\circ\text{C}$ )

Parameter	Symbol	Pin name	Condi-tions	Value		Unit	Re-marks
				Min	Max		
Input pulth width	$t_{TIWH}$	CKI0, CKI1 TIN0, TIN1, TIN2 IC0, IC1 AIN0, AIN1 BIN0, BIN1 ZIN0, ZIN1	—	$t_{CYCP} \times 2$	—	ns	*
	$t_{TIWL}$	INT0 to INT15		$t_{CYCP} \times 3$	—	ns	*

\* :  $t_{CYCP}$  indicates peripheral clock cycle time.



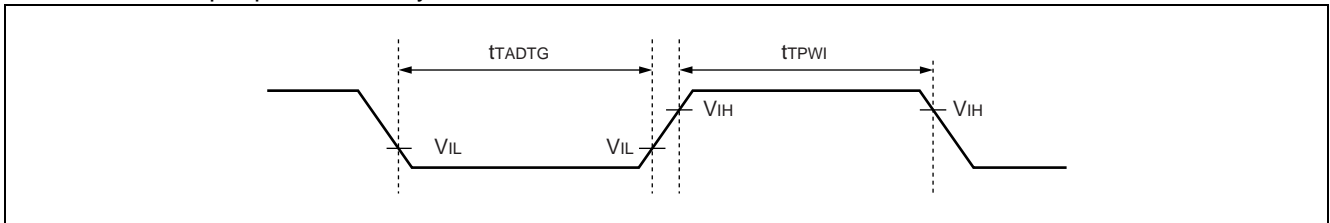
## (8) A/D trigger, PWI (PWC) input timing

(MB91V230, MB91F233 :  $V_{CC} = 4.0\text{ V to }5.25\text{ V}$ ,  $V_{CC3} = V_{CC3B} = V_{CC3IO} = AV_{CC} = 3.0\text{ V to }3.6\text{ V}$ ,  $V_{SS} = AV_{SS} = 0.0\text{ V}$ ,  $T_a = -40\text{ }^\circ\text{C to }+85\text{ }^\circ\text{C}$ )

(MB91F233L, MB91233L :  $V_{CC} = V_{CC3} = V_{CC3B} = V_{CC3IO} = AV_{CC} = 3.0\text{ V to }3.6\text{ V}$ ,  $V_{SS} = AV_{SS} = 0.0\text{ V}$ ,  $T_a = -40\text{ }^\circ\text{C to }+85\text{ }^\circ\text{C}$ )

Parameter	Symbol	Pin name	Condi-tions	Value		Unit	Remarks
				Min	Max		
A/D trigger input (falling)	$t_{TADTG}$	ADTG0 ADTG1	—	$t_{CYCP} \times 2$	—	ns	*
PWI (PWC) input (rising)	$t_{PWI}$	PWI0, PWI1	—	$t_{CYCP} \times 2$	—	ns	*

\* :  $t_{CYCP}$  indicates peripheral clock cycle time.



## 5. Electrical Characteristics for the A/D Converter

( $V_{CC3IO} = AV_{CC} = 3.0\text{ V to }3.6\text{ V}$ ,  $V_{SS} = AV_{SS} = 0.0\text{ V}$ ,  $AVRH = 3.0\text{ V to }3.6\text{ V}$ ,  $T_a = 0\text{ }^\circ\text{C to }+85\text{ }^\circ\text{C}$ )

Parameter	Value			Unit	Remarks
	Min	Typ	Max		
Resolution	—	—	10	bit	AV <sub>CC</sub> = 3.3 V, At AVRH = 3.3 V At CPU sleep mode
Total error*1	-5.0	—	+5.0	LSB	
Nonlinear error*1	-3.5	—	+3.5	LSB	
Differential linear error*1	-2.5	—	+2.5	LSB	
Zero transition voltage*1	-2.0	+1.0	+6.0	LSB	
Full transition voltage*1	AVRH-5.5	AVRH-1.0	AVRH+3.0	LSB	
Conversion time	1.69*2	—	—	μs	
Power supply voltage (analog+digital)	—	3.6	—	mA	
	—	—	5	μA	
Reference power supply current (between AVRH and AVRL)	—	470	—	μA	AVRH = 3.0 V, At AVRL = 0.0 V*3
	—	—	10	μA	At power-down*4
Analog input capacitance	—	40	—	pF	
Inter-channel disparity	—	—	4	LSB	

\*1 : Measured in the CPU sleep state

\*2 : It depends on the clock cycle supplied to peripheral resources.

\*3 : AVRL pin is only for FLGA package product. AVRL pin is connected to AV<sub>SS</sub> inside the IC on QFP package product.

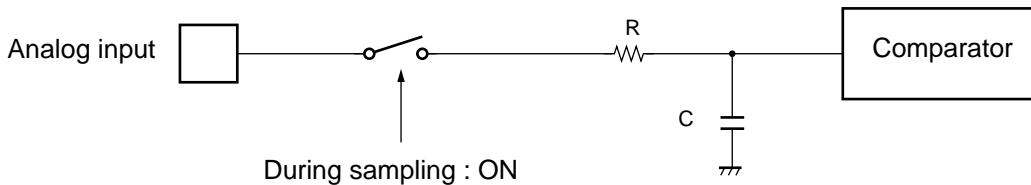
\*4 : The current when the CPU is in stop mode and the A/D converter is not operating.

# MB91230 Series

- **About the external impedance of the analog input and its sampling time**

- A/D converter with sample and hold circuit. If the external impedance is too high to keep sufficient sampling time, the analog voltage charged to the internal sampling and hold capacitor is insufficient, adversely affecting A/D conversion precision.

- Analog input circuit model

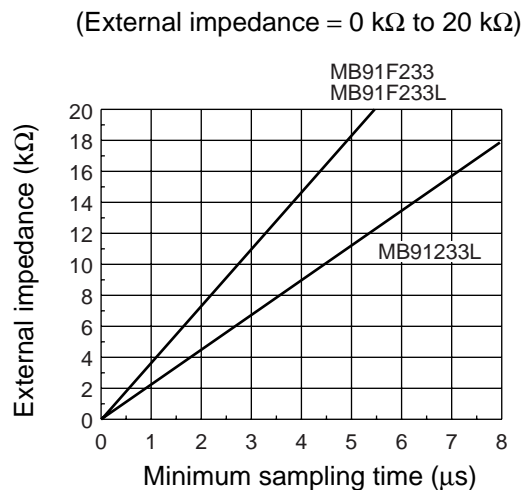
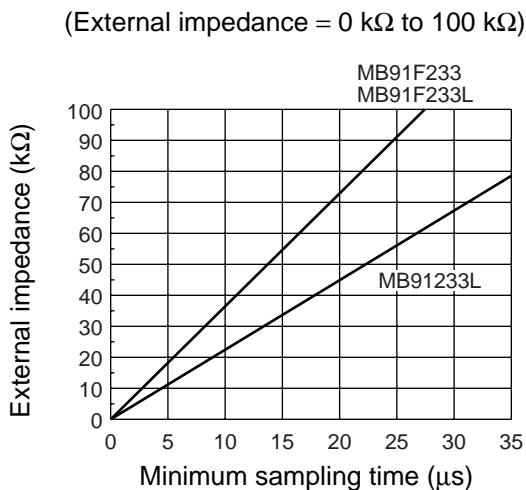


	R	C
MB91233L	0.18 kΩ (Max)	63.0 pF (Max)
MB91F233	0.18 kΩ (Max)	39.0 pF (Max)
MB91F233L	0.18 kΩ (Max)	39.0 pF (Max)

Note : The values are reference values.

- To satisfy the A/D conversion precision standard, consider the relationship between the external impedance and minimum sampling time and either adjust the resistor value and operating frequency or decrease the external impedance so that the sampling time is longer than the minimum value.

- The relationship between the external impedance and minimum sampling time



- If the sampling time cannot be sufficient, connect a capacitor of about 0.1 μF to the analog input pin.

- About errors

As  $|AV_{RH} - AV_{SS}|$  becomes smaller, values of relative errors grow larger.

## 6. Electrical Characteristics for the D/A Converter

( $V_{CC3IO} = AV_{CC} = 3.0\text{ V to }3.6\text{ V}$ ,  $V_{SS} = AV_{SS} = 0.0\text{ V}$ ,  $T_a = 0\text{ }^{\circ}\text{C to }+85\text{ }^{\circ}\text{C}$ )

Parameter	Value			Unit	Remarks
	Min	Typ	Max		
Resolution	—	—	8	bit	
Nonlinear error	-2.0	—	+2.0	LSB	When the output is unloaded
Differential linear error	-1.0	—	+1.0	LSB	When the output is unloaded
Conversion speed	—	0.6	—	$\mu\text{s}$	When load capacitance ( $C_L$ ) = 20 pF
	—	3.0	—	$\mu\text{s}$	When load capacitance ( $C_L$ ) = 100 pF
Output impedance	2.0	2.9	3.8	$\text{k}\Omega$	
Analog current	—	40	—	$\mu\text{A}$	10 $\mu\text{s}$ conversion, when the output is unloaded
	—	—	460*	$\mu\text{A}$	When the input digital code is fixed at 7A <sub>H</sub> or 85 <sub>H</sub>
	—	0.1	—	$\mu\text{A}$	At power-down

\* : The current consumption by this D/A converter varies with input digital code.

This standard value indicates the current consumed when the digital code that maximizes the current consumption is input.

## 7. Flash Memory Write/Erase Characteristics

Parameter	Conditions	Value			Unit	Remarks
		Min	Typ	Max		
Sector erase time	$T_a = +25\text{ }^{\circ}\text{C}$ , $V_{CC} = 5.0\text{ V}$	—	1	15	s	Excludes 00 <sub>H</sub> programming prior erasure
Chip erase time	$T_a = +25\text{ }^{\circ}\text{C}$ , $V_{CC} = 5.0\text{ V}$	—	10	—	s	Excludes 00 <sub>H</sub> programming prior erasure
Byte write time	$T_a = +25\text{ }^{\circ}\text{C}$ , $V_{CC} = 5.0\text{ V}$	—	8	3,600	$\mu\text{s}$	Not including system-level overhead time.
Chip write time	$T_a = +25\text{ }^{\circ}\text{C}$ , $V_{CC} = 5.0\text{ V}$	—	2.1	—	s	Not including system-level overhead time.
Erase/write cycle	—	10,000	—	—	cycle	
Flash data retention time	Average $T_a = +85\text{ }^{\circ}\text{C}$	20	—	—	year	*

\* : This value comes from the technology qualification (using Arrhenius equation to translate high temperature measurements into normalized value at +85 °C).

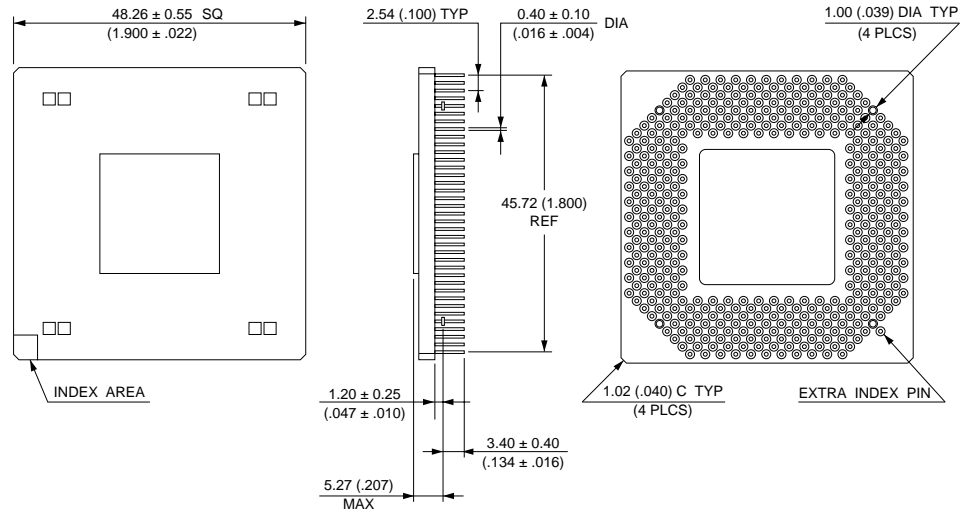
# MB91230 Series

## ■ ORDERING INFORMATION

Part number	Package	Remarks
MB91V230CR-ES	401-pin ceramic PGA (PGA-401C-A02)	
MB91F233PFF-GE1	120-pin plastic LQFP (FPT-120P-M05)	
MB91F233LPFF-GE1	120-pin plastic LQFP (FPT-120P-M05)	
MB91F233LLGA-GE1	128-pin plastic FLGA (LGA-128P-M01)	
MB91233LPFF-G-xxx-BNDE1	120-pin plastic LQFP (FPT-120P-M05)	
MB91233LLGA-Gxxx-BNDE1	128-pin plastic FLGA (LGA-128P-M01)	

## ■ PACKAGE DIMENSIONS

401-pin Ceramic PGA  
(PGA-401C-A02)



© 1994 FUJITSU LIMITED R401002SC-2-2

Dimensions in mm (inches) .

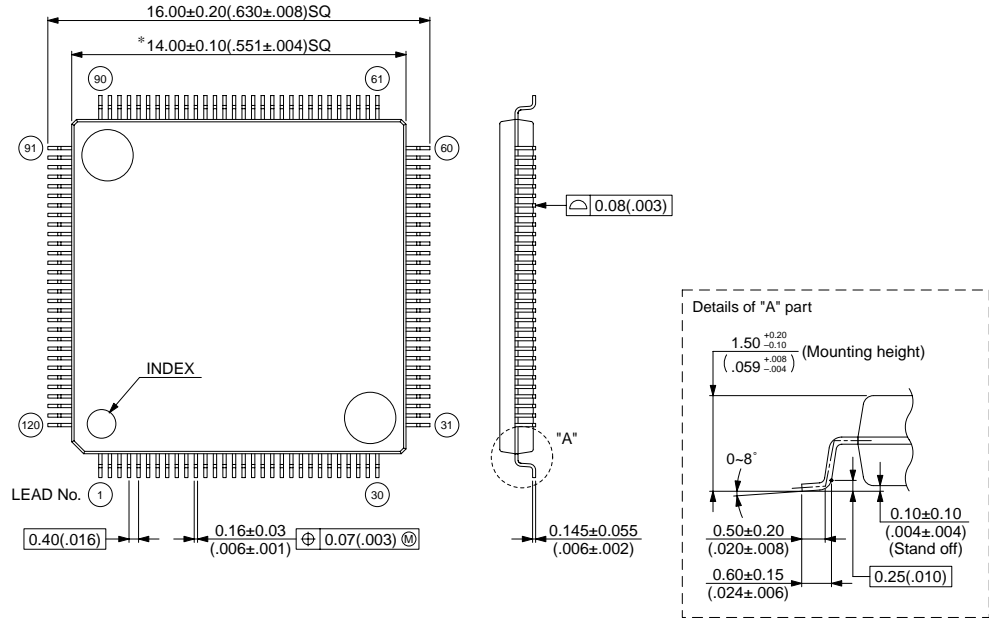
Note : The values in parentheses are reference values.

(Continued)

# MB91230 Series

120-pin Plastic LQFP  
(FPT-120P-M05)

Note 1) \* : These dimensions do not include resin protrusion.  
 Note 2) Pins width and pins thickness include plating thickness.  
 Note 3) Pins width do not include tie bar cutting remainder.



© 2003 FUJITSU LIMITED F120006S-c-4-5

Dimensions in mm (inches) .  
 Note : The values in parentheses are reference values.

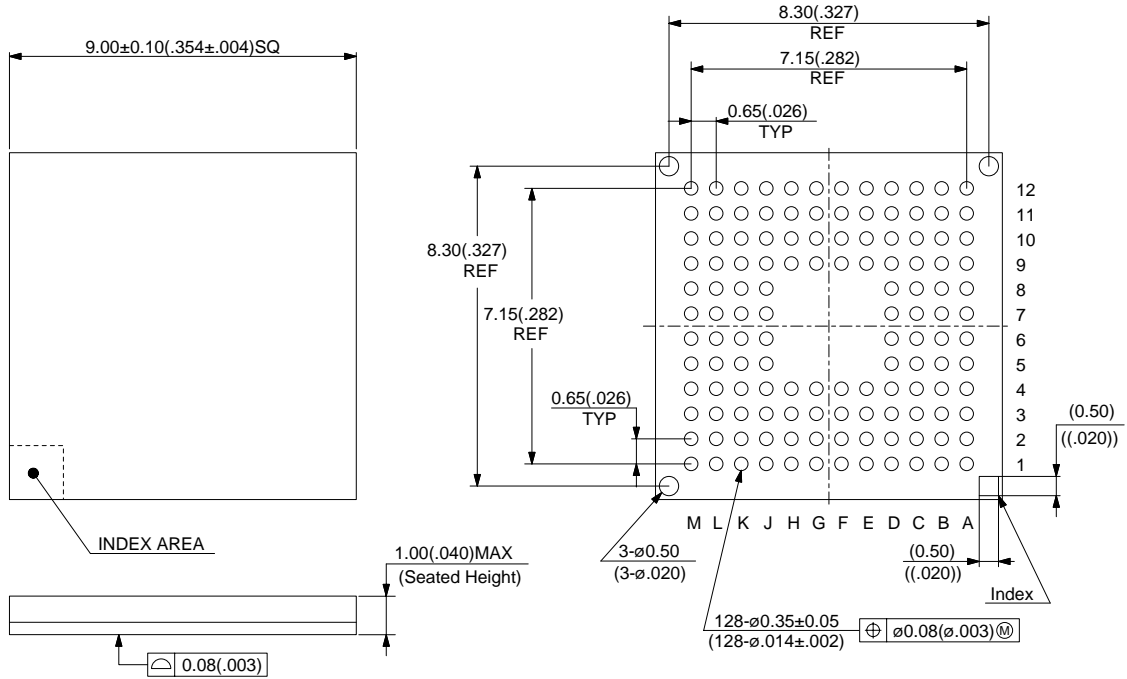
(Continued)



# MB91230 Series

(Continued)

128-pin plastic FLGA  
(LGA-128P-M01)



© 2004 FUJITSU LIMITED L128001S-c-1-1

Dimensions in mm (inches) .

Note : The values in parentheses are reference values.

## FUJITSU LIMITED

All Rights Reserved.

The contents of this document are subject to change without notice. Customers are advised to consult with FUJITSU sales representatives before ordering.

The information, such as descriptions of function and application circuit examples, in this document are presented solely for the purpose of reference to show examples of operations and uses of Fujitsu semiconductor device; Fujitsu does not warrant proper operation of the device with respect to use based on such information. When you develop equipment incorporating the device based on such information, you must assume any responsibility arising out of such use of the information. Fujitsu assumes no liability for any damages whatsoever arising out of the use of the information.

Any information in this document, including descriptions of function and schematic diagrams, shall not be construed as license of the use or exercise of any intellectual property right, such as patent right or copyright, or any other right of Fujitsu or any third party or does Fujitsu warrant non-infringement of any third-party's intellectual property right or other right by using such information. Fujitsu assumes no liability for any infringement of the intellectual property rights or other rights of third parties which would result from the use of information contained herein.

The products described in this document are designed, developed and manufactured as contemplated for general use, including without limitation, ordinary industrial use, general office use, personal use, and household use, but are not designed, developed and manufactured as contemplated (1) for use accompanying fatal risks or dangers that, unless extremely high safety is secured, could have a serious effect to the public, and could lead directly to death, personal injury, severe physical damage or other loss (i.e., nuclear reaction control in nuclear facility, aircraft flight control, air traffic control, mass transport control, medical life support system, missile launch control in weapon system), or (2) for use requiring extremely high reliability (i.e., submersible repeater and artificial satellite).

Please note that Fujitsu will not be liable against you and/or any third party for any claims or damages arising in connection with above-mentioned uses of the products.

Any semiconductor devices have an inherent chance of failure. You must protect against injury, damage or loss from such failures by incorporating safety design measures into your facility and equipment such as redundancy, fire protection, and prevention of over-current levels and other abnormal operating conditions.

If any products described in this document represent goods or technologies subject to certain restrictions on export under the Foreign Exchange and Foreign Trade Law of Japan, the prior authorization by Japanese government will be required for export of those products from Japan.