

ASSP

CMOS

# 30 MHz 8-bit A/D Converter

## MB40C238

### ■ DESCRIPTION

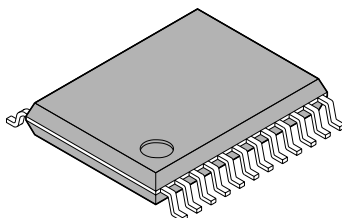
MB40C238 is a high-speed converter using a fast CMOS technology.

### ■ FEATURES

- Resolution : 8 bit
- Linearity error :  $\pm 0.2\%$  (standard)
- Differential linearity error :  $\pm 0.12\%$  (standard)
- Maximum conversion rate : 30 MSPS (minimum)
- Power supply voltage : +3.0 V (single)
- Digital input voltage range : 3 V CMOS level
- Digital output voltage range : 3 V CMOS level compatible (tristate output)
- Analog input voltage range : 0 to 2.0 V (1.2 to 1.8 Vp-p)
- Analog input capacitance : 15 pF (standard)
- Power dissipation : 50 mW (standard: including reference current)
- Additional features : VRT voltage adjustment amp (VRT = 1.2 to 2.0 V)  
Power saving capacity (also reference current set to OFF: 0.5 mW or less)  
High impedance output
- Package : 24-pin SSOP

### ■ PACKAGE

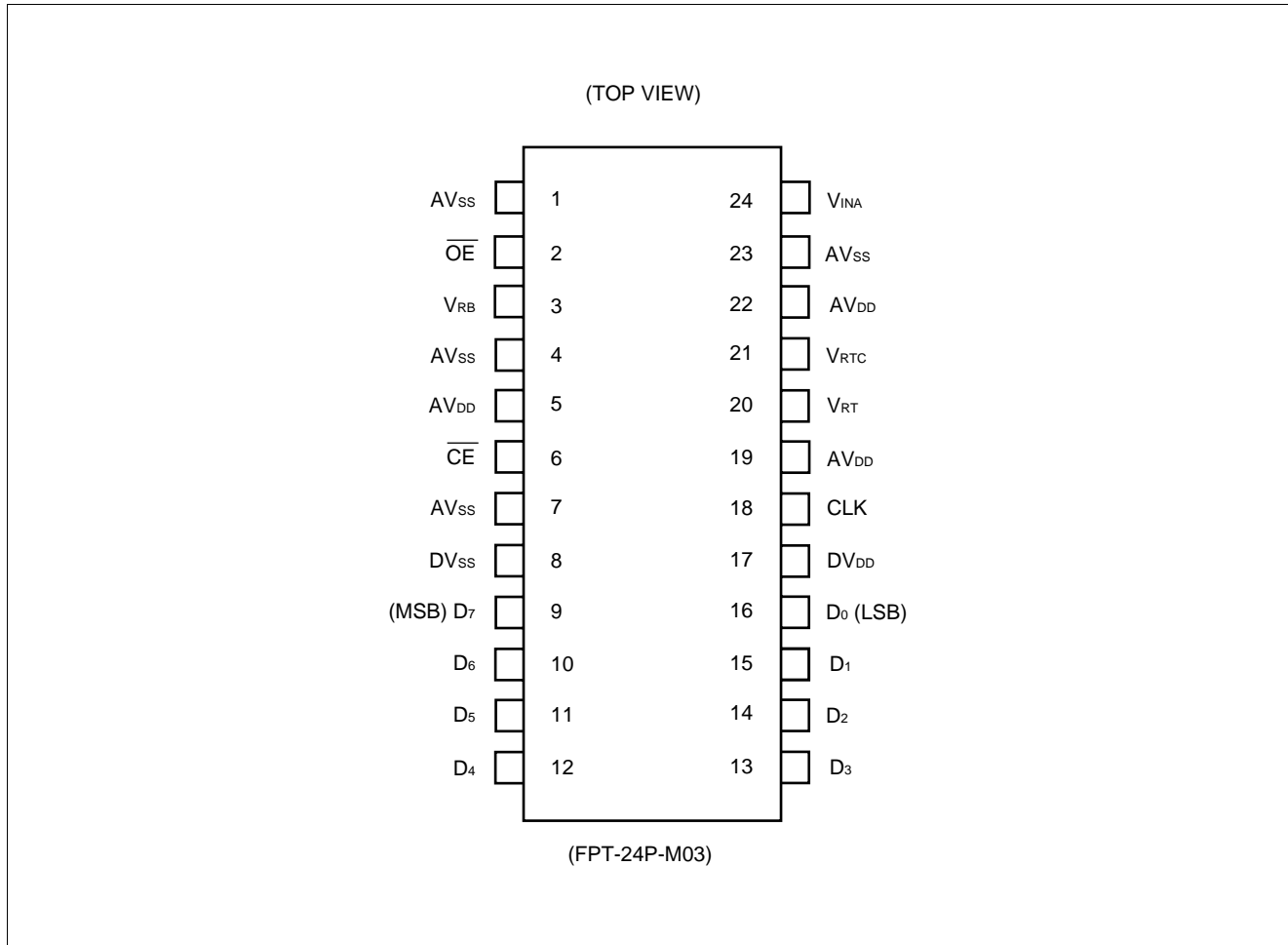
24-pin Plastic SSOP



(FPT-24P-M03)

# MB40C238

## ■ PIN ASSIGNMENT



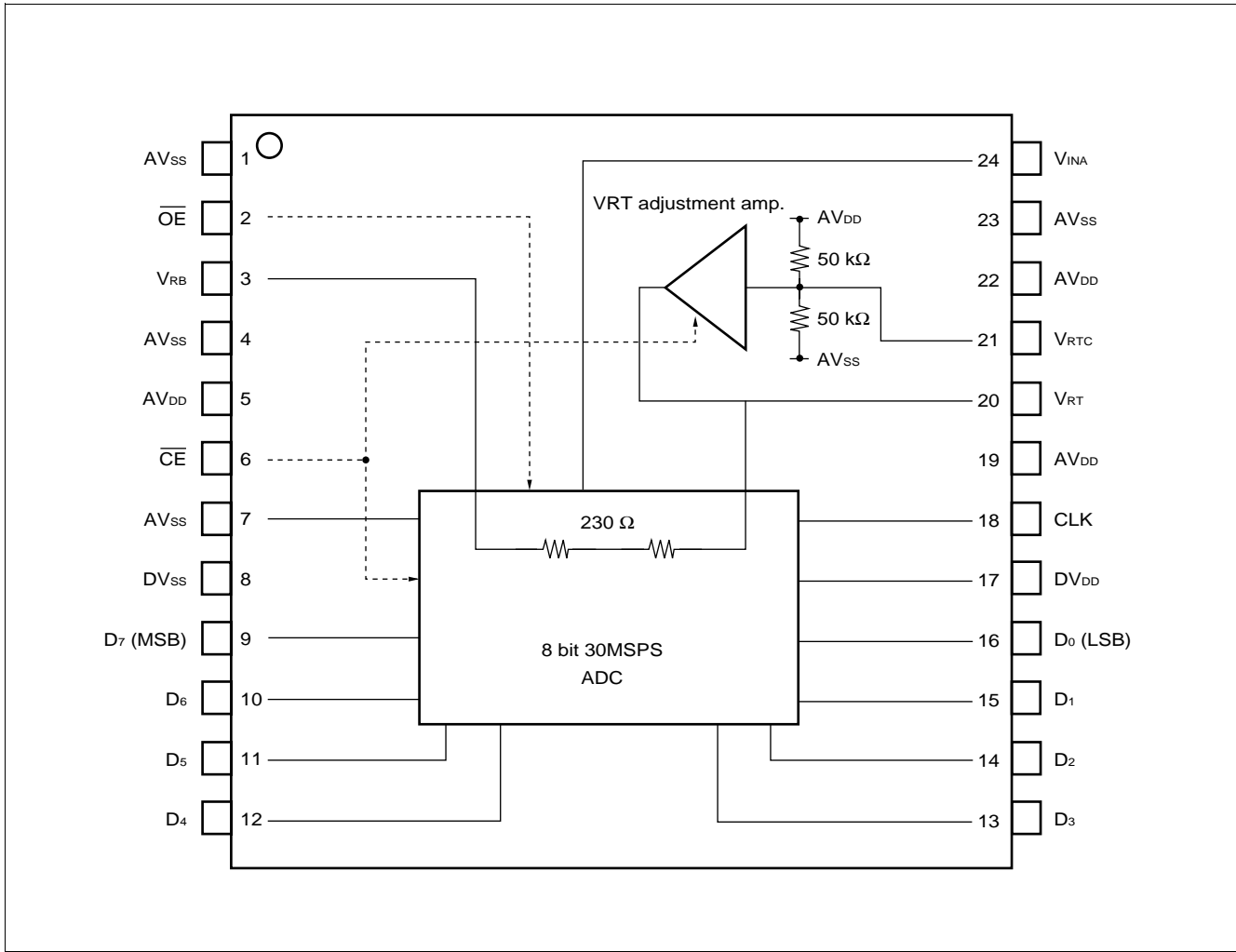
## ■ PIN DESCRIPTION

Pin No.	Symbol	Description
5, 19, 22	AV <sub>DD</sub>	Analog power supply (+3.0 V)
17	DV <sub>DD</sub>	Digital power supply (+3.0 V)
1, 4, 7, 23	AV <sub>SS</sub>	Analog power supply ground pin (0 V)
8	DV <sub>SS</sub>	Digital power supply ground pin (0 V)
9, 10, 11, 12, 13, 14, 15, 16	D <sub>7</sub> to D <sub>0</sub>	Digital output pin (D <sub>7</sub> : MSB, D <sub>0</sub> : LSB)
18	CLK	Clock input pin
24	V <sub>INA</sub>	A/D converter analog input pin Input range is V <sub>RB</sub> to V <sub>RT</sub> (0 to 1.5 V: standard)
21	V <sub>RTC</sub>	V <sub>RT</sub> voltage adjustment amp input pin (V <sub>RTC</sub> : 1.5 V is output when opened.)
20	V <sub>RT</sub>	Reference voltage output pin on top side. The voltage fed to V <sub>RTC</sub> is output. (1.5 V: standard)
3	V <sub>RB</sub>	Reference voltage input pin on bottom side (0 V: standard)
6	$\overline{\text{CE}}$	Input pin for toggling standby function. Input high signal brings the ADC and reference voltage circuit.
2	$\overline{\text{OE}}$	Input pin for toggling output high impedance function. Input high signal brings the ADC output high impedance state.

Note: The values in parentheses are standard.

# MB40C238

## ■ BLOCK DIAGRAM



## ■ ABSOLUTE MAXIMUM RATINGS

Parameter	Symbol	Rating		Unit
		Min.	Max.	
Power supply voltage	$AV_{DD}, DV_{DD}$	-0.3	+7.0	V
Input voltage (analog/digital)	CLK, $V_{INA}$ , $V_{RTC}, V_{RB}$	-0.3	$AV_{DD}+0.3$	V
Output voltage	$D_0$ to $D_7$	-0.3	$DV_{DD}+0.3$	V
	$V_{RT}$	-0.3	$AV_{DD}+0.3$	V
Storage temperature	Tstg	-55	+125	°C

**WARNING:** Semiconductor devices can be permanently damaged by application of stress (voltage, current, temperature, etc.) in excess of absolute maximum ratings. Do not exceed these ratings.

## ■ RECOMMENDED OPERATING CONDITIONS

Parameter	Symbol	Value			Unit
		Min.	Typ.	Max.	
Power supply voltage	$AV_{DD}$	2.70	3.00	3.60	V
	$DV_{DD}$	2.70	3.00	3.60	V
	$ AV_{DD} - DV_{DD} $	0.0	—	0.2	V
Analog input voltage	$V_{INA}$	$V_{RB}$	—	$V_{RT}$	V
Analog reference voltage: T	$V_{RTC}$	1.2	1.5	2.0	V
Analog reference voltage: B	$V_{RB}$	0.0	—	0.8	V
Analog reference voltage range	$V_{RT} - V_{RB}$	1.2	1.5	1.8	V
Digital “H” level input voltage	$V_{IHD}$	2.3	—	—	V
Digital “L” level input voltage	$V_{ILD}$	—	—	0.5	V
Digital input current	$I_{ID}$	—	—	5	μA
Clock frequency	$f_{CLK}$	0.5	—	30	MHz
“H” level minimum clock pulse width	$t_{w+}$	16.0	—	—	ns
“L” level minimum clock pulse width	$t_{w-}$	16.0	—	—	ns
Operating temperature range	$T_a$	-20	—	+75	°C

**WARNING:** The recommended operating conditions are required in order to ensure the normal operation of the semiconductor device. All of the device's electrical characteristics are warranted when the device is operated within these ranges.

Always use semiconductor devices within their recommended operating condition ranges. Operation outside these ranges may adversely affect reliability and could result in device failure.

No warranty is made with respect to uses, operating conditions, or combinations not represented on the data sheet. Users considering application outside the listed conditions are advised to contact their FUJITSU representatives beforehand.

# MB40C238

## ■ ELECTRICAL CHARACTERISTICS

### 1. DC Characteristics in Analog Section

( $AV_{DD} = 2.70\text{ V to }3.60\text{ V}$ ,  $DV_{DD} = 2.70\text{ V to }3.60\text{ V}$ ,  $T_a = -20^\circ\text{C to }+75^\circ\text{C}$ )

Parameter		Symbol	Value			Unit
			Min.	Typ.	Max.	
Resolution		—	—	8	—	bit
Linearity error	Conditional DC precision $V_{RT} - V_{RB} = 1.5\text{ V}$	LE	—	$\pm 0.20$	$\pm 0.40$	%
Differential linearity error		DLE	—	$\pm 0.12$	$\pm 0.20$	%
Analog input capacity		$C_{INA}$	—	15	—	pF
Reference input voltage (Top side) ( $V_{RTC}$ opened)		$V_{RTC}$	—	$0.50 \times AV_{DD}$	—	V
Reference output voltage (Top side)		$V_{RT}$	—	$V_{RTC}$	—	V
Reference current (Bottom side)		$I_{RB}$	—	6.5	—	mA
Analog supply current		$A_{DD}$	—	14.0	34.0	mA
Digital supply current		$D_{DD}$	—	3.0	7.0	mA
Standby supply current		$I_{STBA}$	—	100	—	$\mu\text{A}$
		$I_{STBD}$	—	1	—	$\mu\text{A}$

### 2. DC Characteristics in Digital Section

( $AV_{DD} = 2.70\text{ V to }3.60\text{ V}$ ,  $DV_{DD} = 2.70\text{ V to }3.60\text{ V}$ ,  $T_a = -20^\circ\text{C to }+75^\circ\text{C}$ )

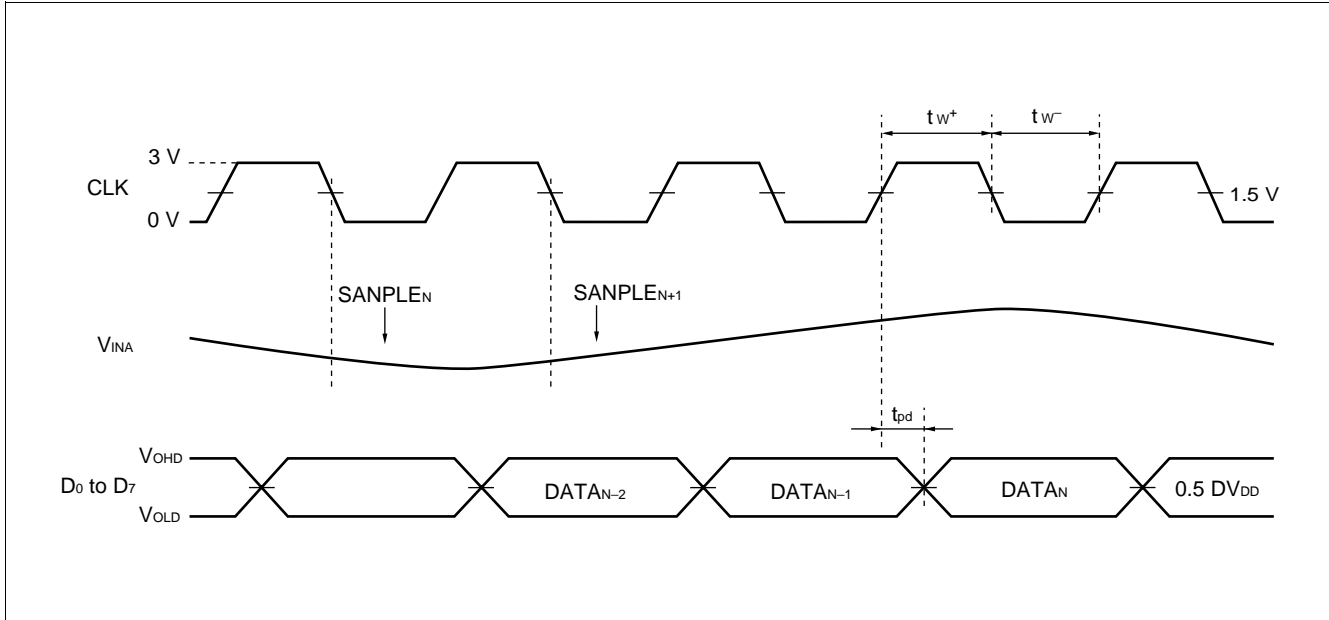
Parameter		Symbol	Value			Unit
			Min.	Typ.	Max.	
Digital "H" level output voltage		$V_{OHD}$	2.4	—	$DV_{DD}$	V
Digital "L" level output voltage		$V_{OLD}$	—	—	0.4	V
Digital "H" level output current		$I_{OHD}$	-400	—	—	$\mu\text{A}$
Digital "L" level output current		$I_{OLD}$	—	—	1.6	mA

### 3. Switching Characteristics

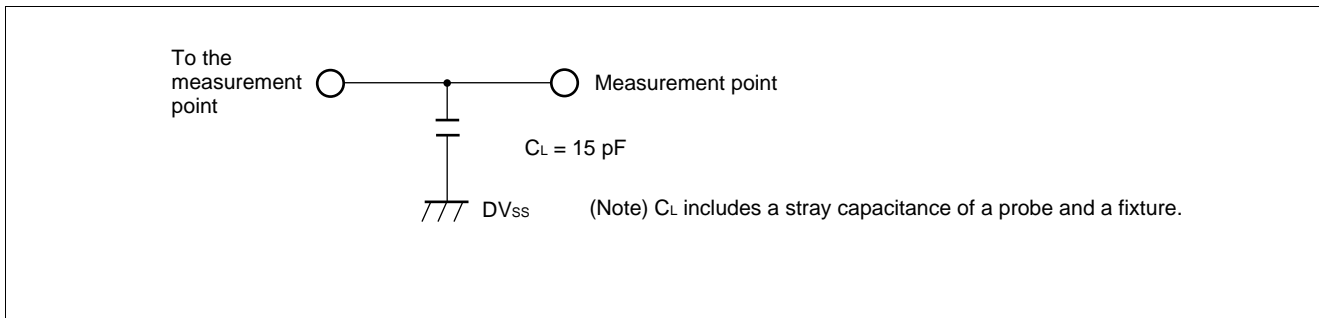
( $AV_{DD} = 2.70\text{ V to }3.60\text{ V}$ ,  $DV_{DD} = 2.70\text{ V to }3.60\text{ V}$ ,  $T_a = -20^\circ\text{C to }+75^\circ\text{C}$ )

Parameter		Symbol	Value			Unit
			Min.	Typ.	Max.	
Maximum conversion rate		$f_s$	30	—	—	MSPS
Digital output delay time		$t_{pd}$	3	8	20	ns

## ■ DIAGRAM



## ■ DIGITAL OUTPUT BUFFER LOAD CIRCUIT



## ■ USAGE PRECAUTIONS

- Be sure to ground the pins of  $AV_{DD}$ ,  $DV_{DD}$ ,  $V_{RT}$  and  $V_{RB}$  via high-frequency capacitor. Place the high-frequency capacitor as close as possible to the pin.
- You can minimize the power supply current dissipation due to the internal logic indetermination by making the clock to 4CLK or higher.

# MB40C238

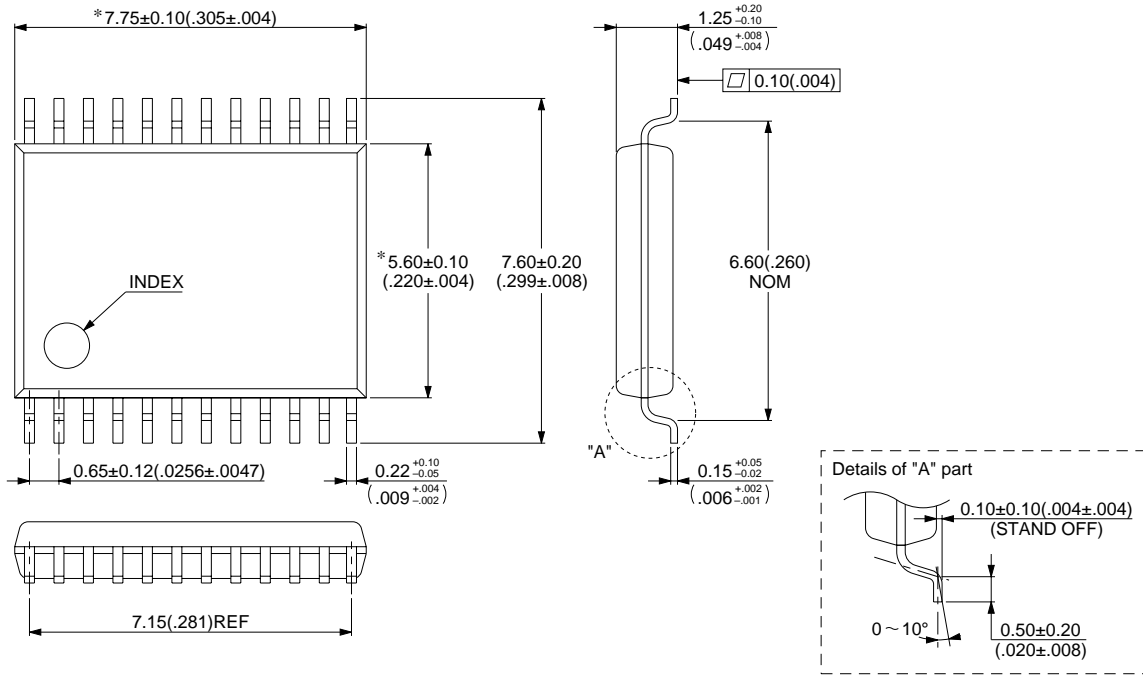
## ■ ORDERING INFORMATION

Part number	Package	Remark
MB40C238PFV	24-pin Plastic SSOP (FPT-24P-M03)	



## ■ PACKAGE DIMENSION

24-pin Plastic SSOP  
(FPT-24P-M03)



© 1994 FUJITSU LIMITED F24018S-2C-2

Dimensions in mm (inches).

## FUJITSU LIMITED

*For further information please contact:*

### **Japan**

FUJITSU LIMITED  
Corporate Global Business Support Division  
Electronic Devices  
KAWASAKI PLANT, 4-1-1, Kamikodanaka  
Nakahara-ku, Kawasaki-shi  
Kanagawa 211-8588, Japan  
Tel: 81(44) 754-3763  
Fax: 81(44) 754-3329

<http://www.fujitsu.co.jp/>

### **North and South America**

FUJITSU MICROELECTRONICS, INC.  
Semiconductor Division  
3545 North First Street  
San Jose, CA 95134-1804, USA  
Tel: (408) 922-9000  
Fax: (408) 922-9179

Customer Response Center  
*Mon. - Fri.: 7 am - 5 pm (PST)*  
Tel: (800) 866-8608  
Fax: (408) 922-9179

<http://www.fujitsumicro.com/>

### **Europe**

FUJITSU MIKROELEKTRONIK GmbH  
Am Siebenstein 6-10  
D-63303 Dreieich-Buchsschlag  
Germany  
Tel: (06103) 690-0  
Fax: (06103) 690-122

<http://www.fujitsu-edc.com/>

### **Asia Pacific**

FUJITSU MICROELECTRONICS ASIA PTE LTD  
#05-08, 151 Lorong Chuan  
New Tech Park  
Singapore 556741  
Tel: (65) 281-0770  
Fax: (65) 281-0220

<http://www.fmap.com.sg/>

F9809

© FUJITSU LIMITED Printed in Japan

All Rights Reserved.

The contents of this document are subject to change without notice. Customers are advised to consult with FUJITSU sales representatives before ordering.

The information and circuit diagrams in this document are presented as examples of semiconductor device applications, and are not intended to be incorporated in devices for actual use. Also, FUJITSU is unable to assume responsibility for infringement of any patent rights or other rights of third parties arising from the use of this information or circuit diagrams.

FUJITSU semiconductor devices are intended for use in standard applications (computers, office automation and other office equipment, industrial, communications, and measurement equipment, personal or household devices, etc.).

#### **CAUTION:**

Customers considering the use of our products in special applications where failure or abnormal operation may directly affect human lives or cause physical injury or property damage, or where extremely high levels of reliability are demanded (such as aerospace systems, atomic energy controls, sea floor repeaters, vehicle operating controls, medical devices for life support, etc.) are requested to consult with FUJITSU sales representatives before such use. The company will not be responsible for damages arising from such use without prior approval.

Any semiconductor devices have an inherent chance of failure. You must protect against injury, damage or loss from such failures by incorporating safety design measures into your facility and equipment such as redundancy, fire protection, and prevention of over-current levels and other abnormal operating conditions.

If any products described in this document represent goods or technologies subject to certain restrictions on export under the Foreign Exchange and Foreign Trade Law of Japan, the prior authorization by Japanese government will be required for export of those products from Japan.