

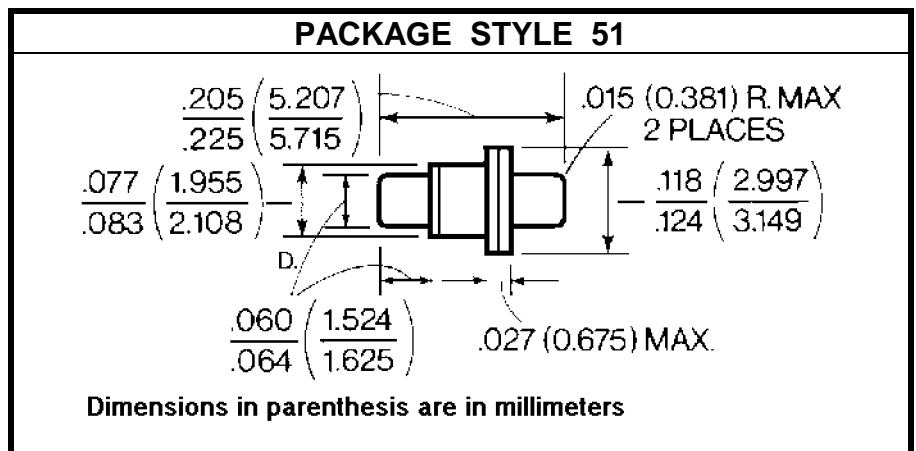
# SILICON ABRUPT TUNING VARACTOR DIODE

**DESCRIPTION:**

The **MA45851** is a Silicon Abrupt Tuning Varactor.

**MAXIMUM RATINGS**

<b>I</b>	100 mA
<b>V</b>	45 V
<b>P<sub>DISS</sub></b>	500 mW @ T <sub>C</sub> = 25 °C
<b>T<sub>J</sub></b>	-65 °C to +150 °C
<b>T<sub>STG</sub></b>	-65 °C to +175 °C


**CHARACTERISTICS** T<sub>C</sub> = 25 °C

SYMBOL	TEST CONDITIONS	MINIMUM	TYPICAL	MAXIMUM	UNITS	
V <sub>B</sub>	I <sub>R</sub> = 10 μA	45			V	
I <sub>R</sub>	V <sub>R</sub> = 36 V			100	μA	
C <sub>T-4</sub>	V <sub>R</sub> = 4.0 V	f = 1.0 MHz	1.08	1.20	1.32	pF
ΔC <sub>T</sub>	C <sub>T0</sub> /C <sub>T45</sub>	f = 1.0 MHz	4.2			
Q	V <sub>R</sub> = 4.0 V	f = 50 MHz	2500			
T <sub>CC</sub>	V <sub>R</sub> = 4.0 V	f = 1.0 MHz		300		PPM/°C