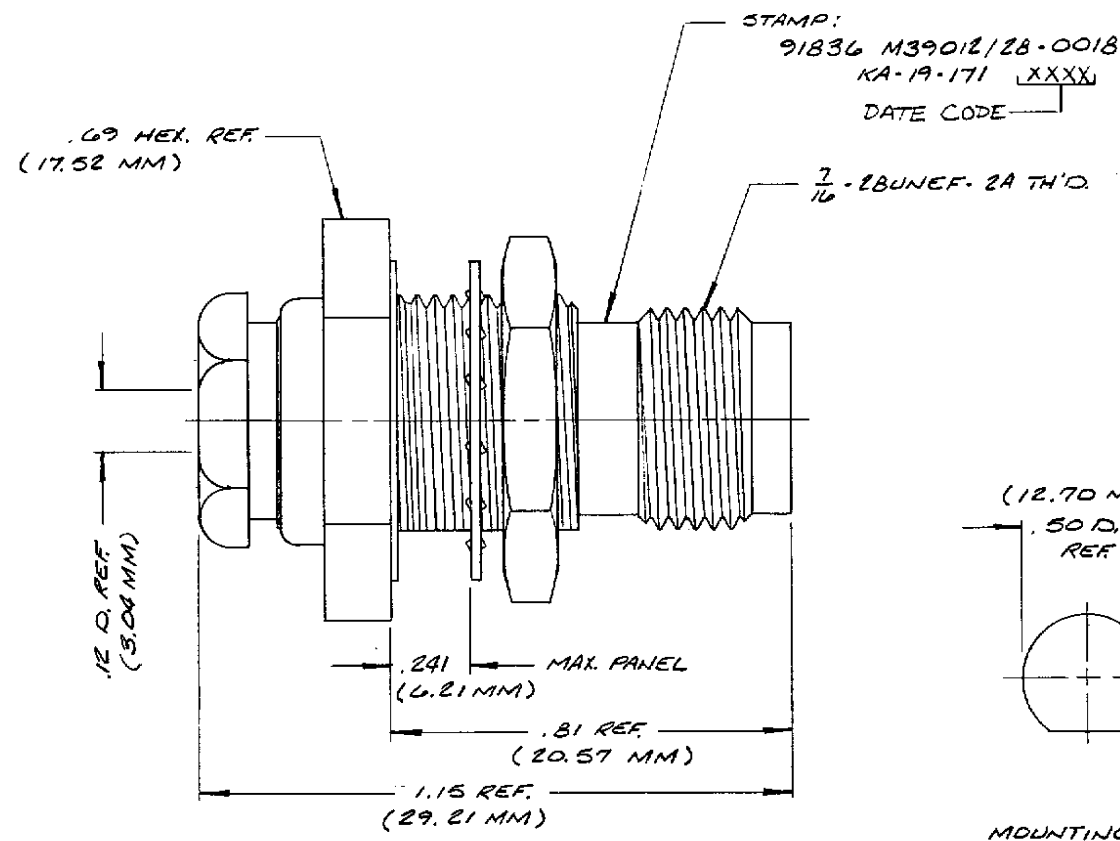


REVISIONS

| ISSUE | CHANGES |
|-------|-----------------------------|
| 1 | CN 22767 E JEP 17 NOV 81 |
| 2 | CN 32302 A LNM 20 JUN 90 |
| 3 | CN 32955 A WJM 12 MAR 91 |

GSD

M39012/28-0018


NOTES:

- FOR USE WITH RG-174 & 316/U CABLES.
- FOR CABLING INSTRUCTIONS SEE CP-1050.
- MATERIALS:**
CENTER CONTACT - BERYLLIUM COPPER, QQ-C-530.
LOCKWASHER - PHOSPHOR BRONZE, QQ-B-750.
ALL OTHER METAL PARTS - BRASS, QQ-B-626
GASKETS - SILICONE RUBBER, 22-R-765.
INSULATOR - TEFLON, L-P-403.

(NOTES CONT'D.)

- FINISHES:**
CENTER CONTACT - GOLD PLATE,
MIL-G-45204B
ALL OTHER METAL PARTS - SILVER
PLATE, QQ-6-365.
- ELECTRICAL CHARACTERISTICS:**
NOMINAL IMPEDANCE - 50 Ω OHMS
FREQUENCY RANGE - DC-11GHZ
WORKING VOLTAGE - 500 RMS

UNLESS OTHERWISE SPECIFIED:

- | | |
|--|--|
| 1. TOLERANCES: FRACTIONS & 2 PLACE DECIMALS ± .010 | 3. REMOVE ALL BURRS, BREAK SHARP EDGES .005 MAX. |
| 3 PLACE DECIMALS ± .004 | 4. SURFACE ROUGHNESS 63 MICROINCHES RMS MAX. |
| ANGLES ± 0°30' | 5. ALL DIMENSIONS PRIOR TO PLATING. |
| T. I. R. CONCENTRICITY OF ANY 2 DIAMETERS MAY NOT EXCEED HALF THE SUM OF THEIR TOLERANCES. | 6. ALL PLATING IN ACCORDANCE WITH KER 10004. |

| | |
|-----------------------|----------------------|
| SCALE: | 4:1 |
| APPROX. SURFACE AREA: | |
| | KA-19-171 |
| USED ON: | |
| REF: | |
| | TNC BULKHEAD JACK |

| | | | |
|-------|-----|------|-----------|
| DRAWN | MCD | DATE | 21 DEC 83 |
| APPR. | MJB | DATE | 22 DEC 83 |

KINGS
ELECTRONICS CO., INC.
TELEPHONE: NEW YORK 10781

GSD

M39012/28-0018