

# MITSUBISHI MICROCOMPUTERS 3850 Group

SINGLE-CHIP 8-BIT CMOS MICROCOMPUTER

## DESCRIPTION

The 3850 group is the 8-bit microcomputer based on the 740 family core technology.

The 3850 group is designed for the household products and office automation equipment and includes serial I/O functions, 8-bit timer, and A-D converter.

## FEATURES

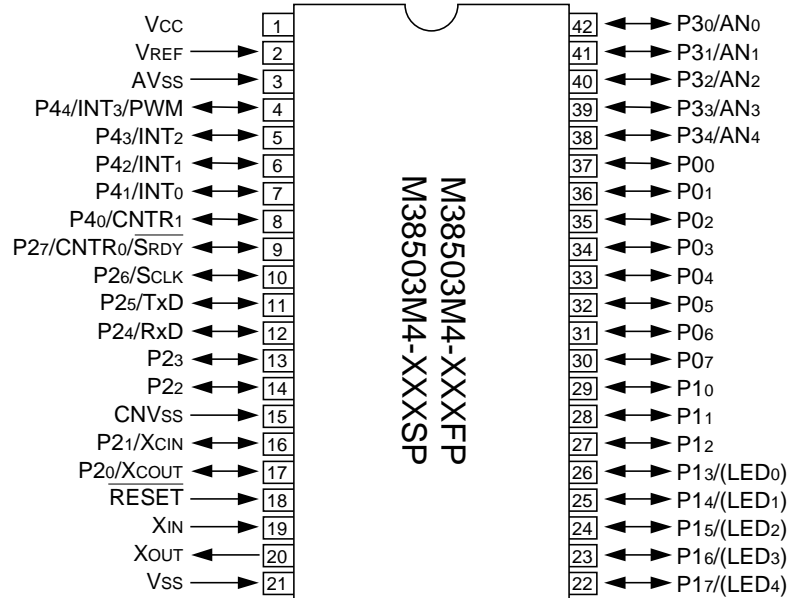
- Basic machine-language instructions ..... 71
- Minimum instruction execution time ..... 0.5  $\mu$ s  
(at 8 MHz oscillation frequency)
- Memory size
  - ROM ..... 8K to 24K bytes
  - RAM ..... 512 to 640 byte
- Programmable input/output ports ..... 34
- Interrupts ..... 14 sources, 14 vectors
- Timers ..... 8-bit X 4
- Serial I/O ..... 8-bit X 1 (UART or Clock-synchronized)
- PWM ..... 8-bit X 1
- A-D converter ..... 10-bit X 5 channels
- Watchdog timer ..... 16-bit X 1
- Clock generating circuit ..... Built-in 2 circuits  
(connect to external ceramic resonator or quartz-crystal oscillator)

- Power source voltage
  - In high-speed mode ..... 4.0 to 5.5 V  
(at 8 MHz oscillation frequency)
  - In high-speed mode ..... 2.7 to 5.5 V  
(at 4 MHz oscillation frequency)
  - In middle-speed mode ..... 2.7 to 5.5 V  
(at 8 MHz oscillation frequency)
  - In low-speed mode ..... 2.7 to 5.5 V  
(at 32 kHz oscillation frequency)
- Power dissipation
  - In high-speed mode ..... 34 mW  
(at 8 MHz oscillation frequency, at 5 V power source voltage)
  - In low-speed mode ..... 60  $\mu$ W  
(at 32 kHz oscillation frequency, at 3 V power source voltage)
- Operating temperature range ..... -20 to 85°C

## APPLICATION

Office automation equipment, FA equipment, Household products, Consumer electronics, etc.

## PIN CONFIGURATION (TOP VIEW)



Package type : FP ..... 42P2R-A (42-pin plastic-molded SSOP)  
 Package type : SP ..... 42P4B (42-pin shrink plastic-molded DIP)

Fig. 1 M38503M4-XXXXFP/SP pin configuration

FUNCTIONAL BLOCK

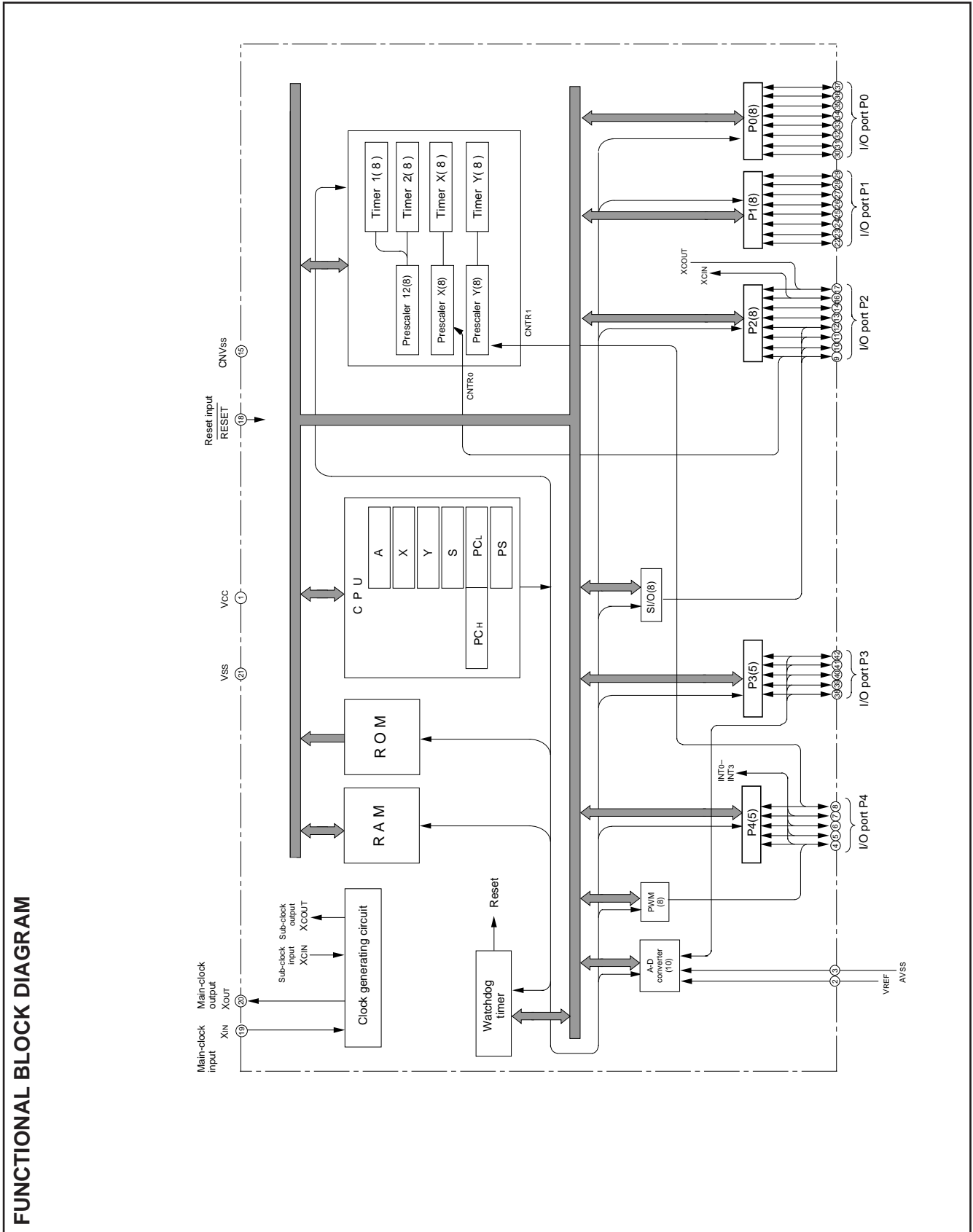


Fig. 2 Functional block diagram

## PIN DESCRIPTION

Table 1 Pin description

Pin	Name	Functions	Function except a port function
VCC, VSS	Power source	<ul style="list-style-type: none"> <li>Apply voltage of 2.7 V – 5.5 V to Vcc, and 0 V to Vss.</li> </ul>	
CNVSS	CNVSS input	<ul style="list-style-type: none"> <li>This pin controls the operation mode of the chip.</li> <li>Normally connected to VSS.</li> </ul>	
$\overline{\text{RESET}}$	Reset input	<ul style="list-style-type: none"> <li>Reset input pin for active “L.”</li> </ul>	
XIN	Clock input	<ul style="list-style-type: none"> <li>Input and output pins for the clock generating circuit.</li> <li>Connect a ceramic resonator or quartz-crystal oscillator between the XIN and XOUT pins to set the oscillation frequency.</li> </ul>	
XOUT	Clock output	<ul style="list-style-type: none"> <li>When an external clock is used, connect the clock source to the XIN pin and leave the XOUT pin open.</li> </ul>	
P00–P07	I/O port P0	<ul style="list-style-type: none"> <li>8-bit CMOS I/O port.</li> <li>I/O direction register allows each pin to be individually programmed as either input or output.</li> <li>CMOS compatible input level.</li> </ul>	
P10–P17	I/O port P1	<ul style="list-style-type: none"> <li>CMOS 3-state output structure.</li> <li>P13 to P17 (5 bits) are enabled to output large current for LED drive.</li> </ul>	
P20/XCOUT P21/XCIN	I/O port P2	<ul style="list-style-type: none"> <li>8-bit CMOS I/O port.</li> <li>I/O direction register allows each pin to be individually programmed as either input or output.</li> <li>CMOS compatible input level.</li> <li>P20, P21, P24 to P27: CMOS3-state output structure.</li> <li>P22, P23: N-channel open-drain structure.</li> </ul>	<ul style="list-style-type: none"> <li>Sub-clock generating circuit I/O pins (connect a resonator)</li> </ul>
P22 P23			
P24/RxD P25/TxD			<ul style="list-style-type: none"> <li>Serial I/O function pin</li> </ul>
P26/SCLK			
P27/CNTR0/ SRDY			<ul style="list-style-type: none"> <li>Serial I/O function pin/ Timer X function pin</li> </ul>
P30/AN0– P34/AN4	I/O port P3	<ul style="list-style-type: none"> <li>8-bit CMOS I/O port with the same function as port P0.</li> <li>CMOS compatible input level.</li> <li>CMOS 3-state output structure.</li> </ul>	<ul style="list-style-type: none"> <li>A-D converter input pin</li> </ul>
P40/CNTR1	I/O port P4	<ul style="list-style-type: none"> <li>8-bit CMOS I/O port with the same function as port P0.</li> <li>CMOS compatible input level.</li> <li>CMOS 3-state output structure.</li> </ul>	<ul style="list-style-type: none"> <li>Timer Y function pin</li> </ul>
P41/INT0– P43/INT2			<ul style="list-style-type: none"> <li>Interrupt input pins</li> </ul>
P44/INT3/PWM			<ul style="list-style-type: none"> <li>Interrupt input pin</li> <li>PWM output pin</li> </ul>

**PART NUMBERING**

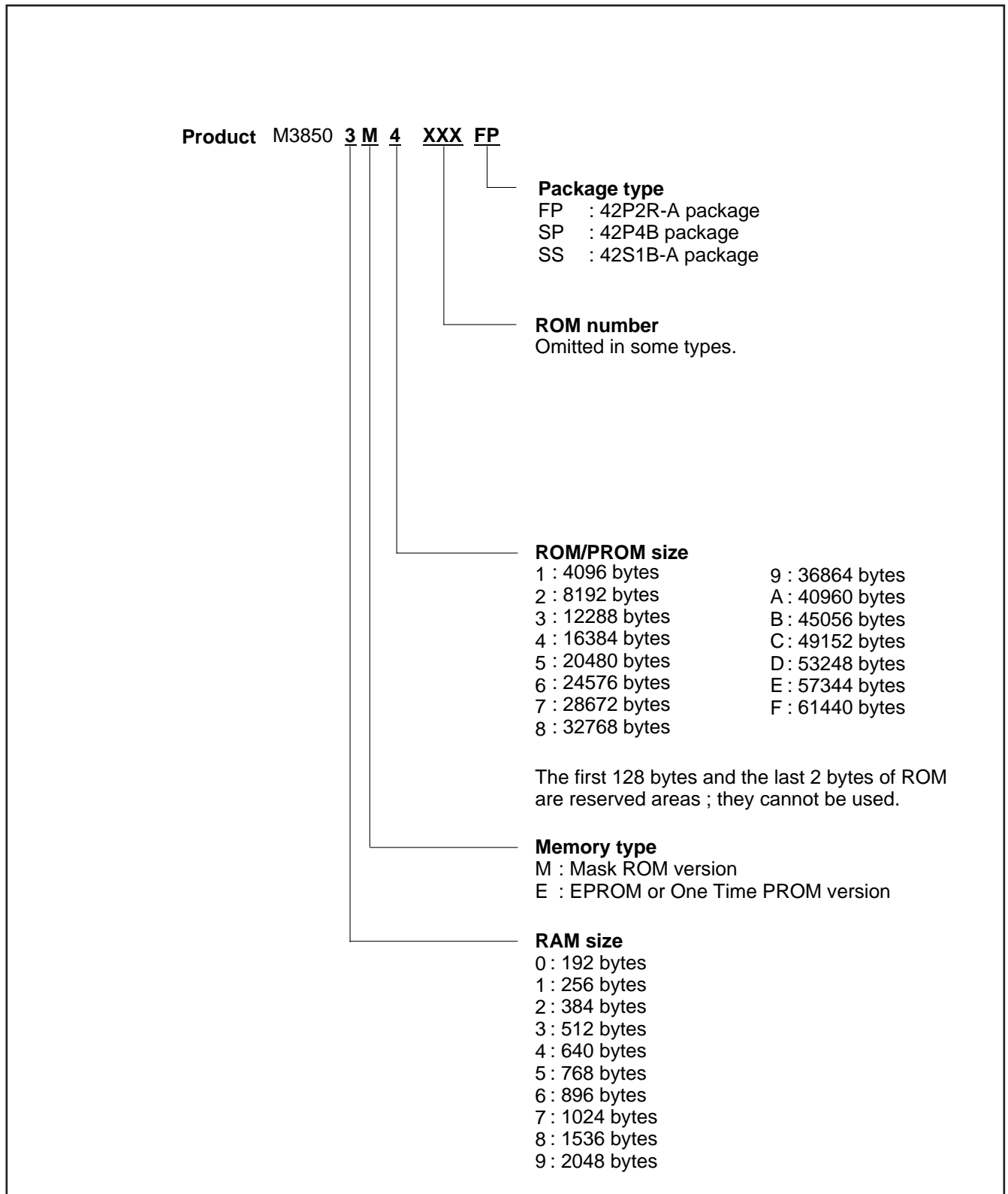


Fig. 3 Part numbering

**GROUP EXPANSION**

Mitsubishi plans to expand the 3850 group as follows:

**Memory Type**

Support for mask ROM, One Time PROM, and EPROM versions.

**Memory Size**

ROM/PROM size ..... 8K to 24K bytes

RAM size ..... 512 to 640 bytes

**Packages**

42P4B.....42-pin shrink plastic molded DIP

42P2R-A ..... 42-pin plastic molded SSOP

42S1B-A ..... 42-pin shrink ceramic DIP(EPROM version)

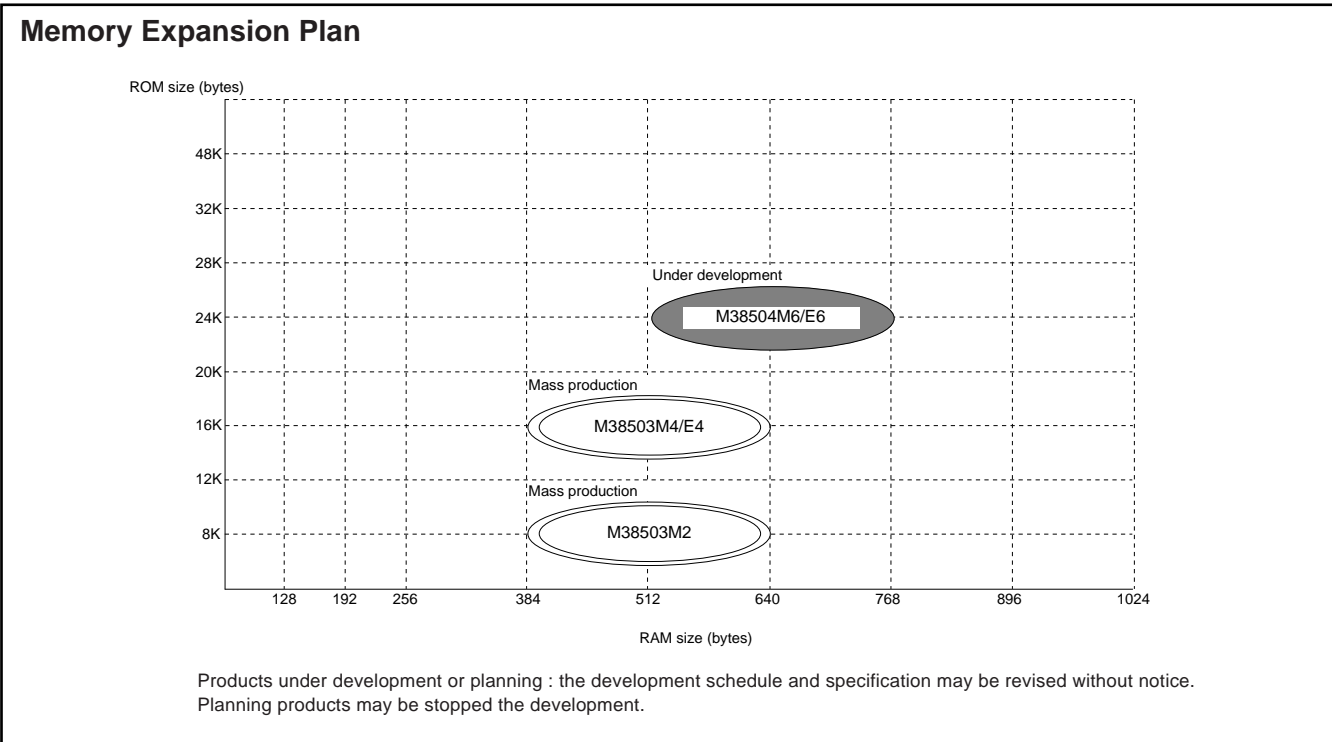


Fig. 4 Memory expansion plan

Currently planning products are listed below.

Table 2 Support products

As of August 1998

Product name	(P) ROM size (bytes) ROM size for User in ( )	RAM size (bytes)	Package	Remarks
M38503M2-XXXSP	8192 (8062)	512	42P4B	Mask ROM version
M38503M2-XXXFP			42P2R-A	Mask ROM version
M38503M4-XXXSP	16384 (16254)	512	42P4B	Mask ROM version
M38503E4-XXXSP				One Time PROM version
M38503E4SP			One Time PROM version (blank)	
M38503E4SS			42S1B-A	EPROM version (stock only replaced by M38504E6SS)
M38503M4-XXXFP			42P2R-A	Mask ROM version
M38503E4-XXXFP				One Time PROM version
M38503E4FP				One Time PROM version (blank)
M38504M6-XXXSP			32768 (32638)	640
M38504E6-XXXSP	One Time PROM version			
M38504E6SP	One Time PROM version (blank)			
M38504E6SS	42S1B-A	EPROM version		
M38504M6-XXXFP	42P2R-A	Mask ROM version		
M38504E6-XXXFP		One Time PROM version		
M38504E6FP		One Time PROM version (blank)		

**FUNCTIONAL DESCRIPTION**  
**CENTRAL PROCESSING UNIT (CPU)**

The 3850 group uses the standard 740 Family instruction set. Refer to the table of 740 Family addressing modes and machine instructions or the 740 Family Software Manual for details on the instruction set.

Machine-resident 740 Family instructions are as follows:

- The FST and SLW instructions cannot be used.
- The STP, WIT, MUL, and DIV instructions can be used.

**[CPU Mode Register (CPUM)] 003B16**

The CPU mode register contains the stack page selection bit, etc.  
 The CPU mode register is allocated at address 003B16.

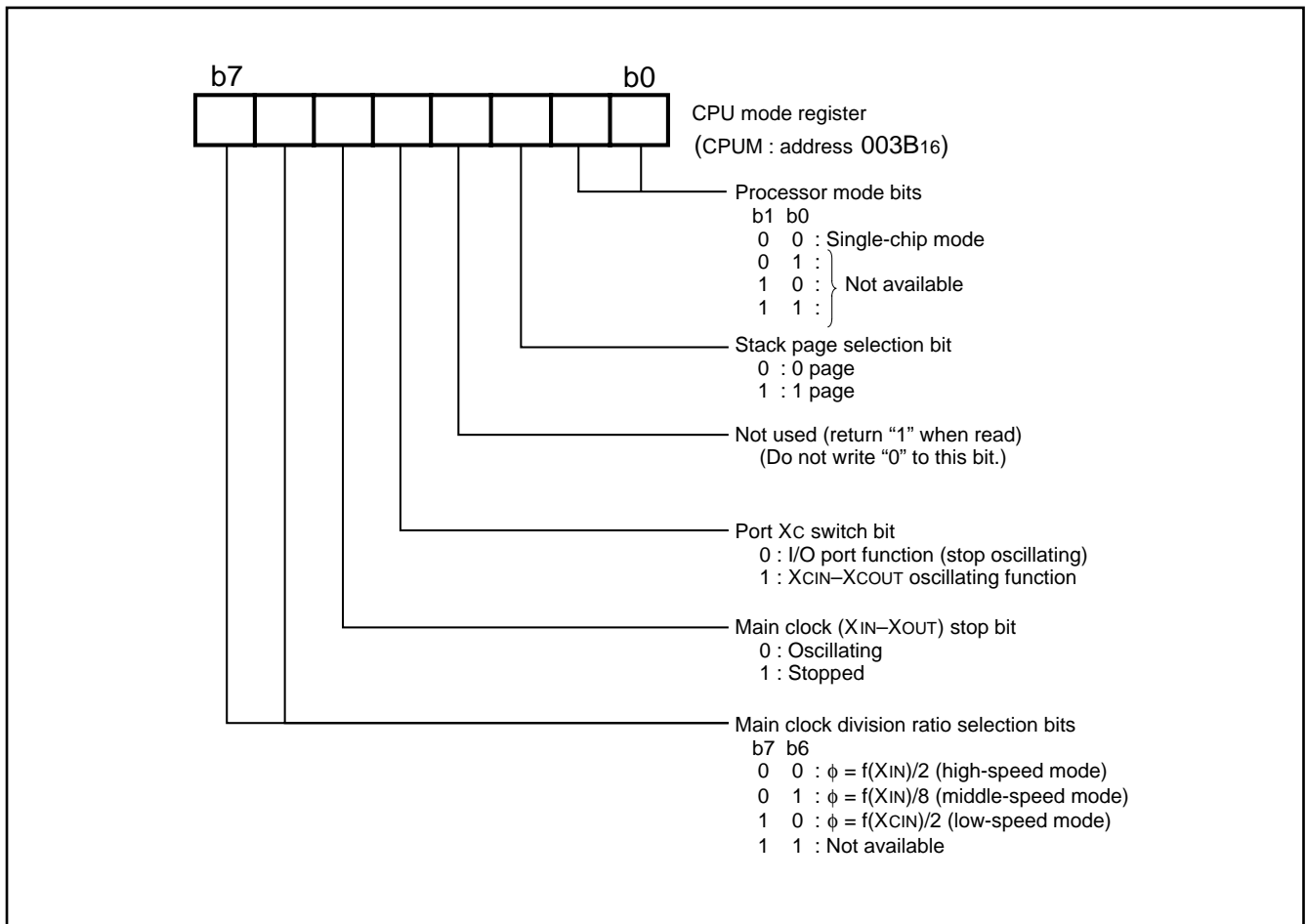


Fig. 5 Structure of CPU mode register

## MEMORY

### Special Function Register (SFR) Area

The Special Function Register area in the zero page contains control registers such as I/O ports and timers.

### RAM

RAM is used for data storage and for stack area of subroutine calls and interrupts.

### ROM

The first 128 bytes and the last 2 bytes of ROM are reserved for device testing and the rest is user area for storing programs.

### Interrupt Vector Area

The interrupt vector area contains reset and interrupt vectors.

### Zero Page

Access to this area with only 2 bytes is possible in the zero page addressing mode.

### Special Page

Access to this area with only 2 bytes is possible in the special page addressing mode.

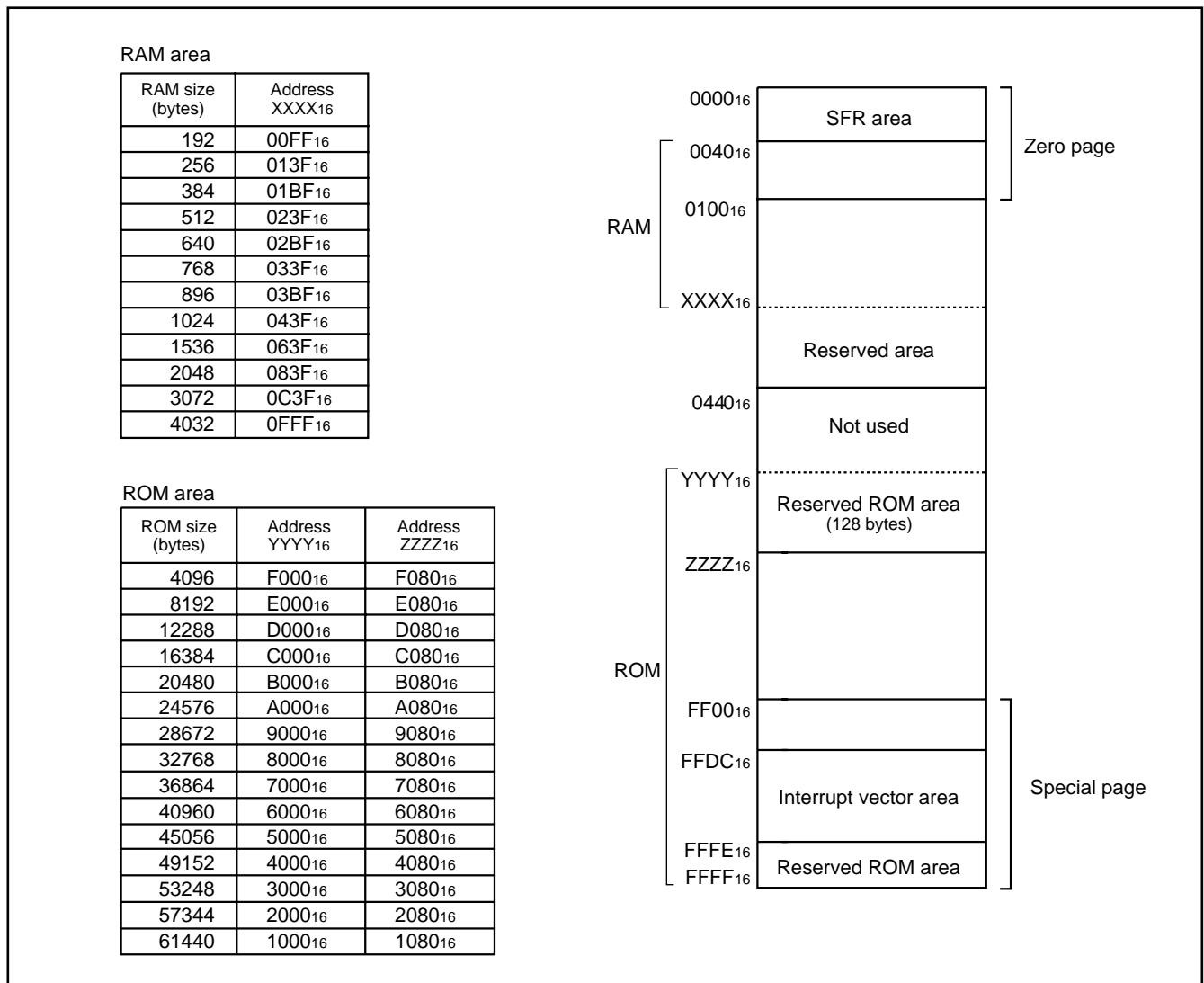


Fig. 6 Memory map diagram

0000 <sub>16</sub>	Port P0 (P0)	0020 <sub>16</sub>	Prescaler 12 (PRE12)
0001 <sub>16</sub>	Port P0 direction register (P0D)	0021 <sub>16</sub>	Timer 1 (T1)
0002 <sub>16</sub>	Port P1 (P1)	0022 <sub>16</sub>	Timer 2 (T2)
0003 <sub>16</sub>	Port P1 direction register (P1D)	0023 <sub>16</sub>	Timer XY mode register (TM)
0004 <sub>16</sub>	Port P2 (P2)	0024 <sub>16</sub>	Prescaler X (PREX)
0005 <sub>16</sub>	Port P2 direction register (P2D)	0025 <sub>16</sub>	Timer X (TX)
0006 <sub>16</sub>	Port P3 (P3)	0026 <sub>16</sub>	Prescaler Y (PREY)
0007 <sub>16</sub>	Port P3 direction register (P3D)	0027 <sub>16</sub>	Timer Y (TY)
0008 <sub>16</sub>	Port P4 (P4)	0028 <sub>16</sub>	Timer count source selection register (TCSS)
0009 <sub>16</sub>	Port P4 direction register (P4D)	0029 <sub>16</sub>	
000A <sub>16</sub>		002A <sub>16</sub>	
000B <sub>16</sub>		002B <sub>16</sub>	Reserved *
000C <sub>16</sub>		002C <sub>16</sub>	Reserved *
000D <sub>16</sub>		002D <sub>16</sub>	Reserved *
000E <sub>16</sub>		002E <sub>16</sub>	Reserved *
000F <sub>16</sub>		002F <sub>16</sub>	Reserved *
0010 <sub>16</sub>		0030 <sub>16</sub>	Reserved *
0011 <sub>16</sub>		0031 <sub>16</sub>	
0012 <sub>16</sub>		0032 <sub>16</sub>	
0013 <sub>16</sub>		0033 <sub>16</sub>	
0014 <sub>16</sub>		0034 <sub>16</sub>	A-D control register (ADCON)
0015 <sub>16</sub>	Reserved *	0035 <sub>16</sub>	A-D conversion low-order register (ADL)
0016 <sub>16</sub>	Reserved *	0036 <sub>16</sub>	A-D conversion high-order register (ADH)
0017 <sub>16</sub>	Reserved *	0037 <sub>16</sub>	
0018 <sub>16</sub>	Transmit/Receive buffer register (TB/RB)	0038 <sub>16</sub>	MISRG
0019 <sub>16</sub>	Serial I/O status register (SIOSTS)	0039 <sub>16</sub>	Watchdog timer control register (WDTCON)
001A <sub>16</sub>	Serial I/O control register (SIOCON)	003A <sub>16</sub>	Interrupt edge selection register (INTEDGE)
001B <sub>16</sub>	UART control register (UARTCON)	003B <sub>16</sub>	CPU mode register (CPUM)
001C <sub>16</sub>	Baud rate generator (BRG)	003C <sub>16</sub>	Interrupt request register 1 (IREQ1)
001D <sub>16</sub>	PWM control register (PWMCON)	003D <sub>16</sub>	Interrupt request register 2 (IREQ2)
001E <sub>16</sub>	PWM prescaler (PREPWM)	003E <sub>16</sub>	Interrupt control register 1 (ICON1)
001F <sub>16</sub>	PWM register (PWM)	003F <sub>16</sub>	Interrupt control register 2 (ICON2)

\* Reserved : Do not write "1" to this address.

Fig. 7 Memory map of special function register (SFR)



**I/O PORTS**

The I/O ports have direction registers which determine the input/output direction of each individual pin. Each bit in a direction register corresponds to one pin, and each pin can be set to be input port or output port.

When "0" is written to the bit corresponding to a pin, that pin becomes an input pin. When "1" is written to that bit, that pin becomes an output pin.

If data is read from a pin which is set to output, the value of the port output latch is read, not the value of the pin itself. Pins set to input are floating. If a pin set to input is written to, only the port output latch is written to and the pin remains floating.

**Table 3 I/O port function**

Pin	Name	Input/Output	I/O Structure	Non-Port Function	Related SFRs	Ref.No.
P00–P07	Port P0	Input/output, individual bits	CMOS compatible input level CMOS 3-state output			(1)
P10–P17	Port P1			Sub-clock generating circuit	CPU mode register	(2) (3)
P20/XCOUT P21/XCIN	Port P2		CMOS compatible input level N-channel open-drain output			(4)
P22 P23			CMOS compatible input level CMOS 3-state output	Serial I/O function I/O	Serial I/O control register	(5) (6)
P24/RxD P25/TxD				Serial I/O function I/O	Serial I/O control register	(7)
P26/SCLK				Serial I/O function I/O Timer X function I/O	Serial I/O control register Timer XY mode register	(8)
P27/CNTR0/ $\overline{\text{SRDY}}$			Port P3	A-D conversion input	A-D control register	(9)
P30/AN0– P34/AN4	Timer Y function I/O			Timer XY mode register	(10)	
P40/CNTR1	Port P4		External interrupt input	Interrupt edge selection register	(11)	
P41/INT0– P43/INT2			External interrupt input PWM output	Interrupt edge selection register PWM control register	(12)	
P44/INT3/PWM						

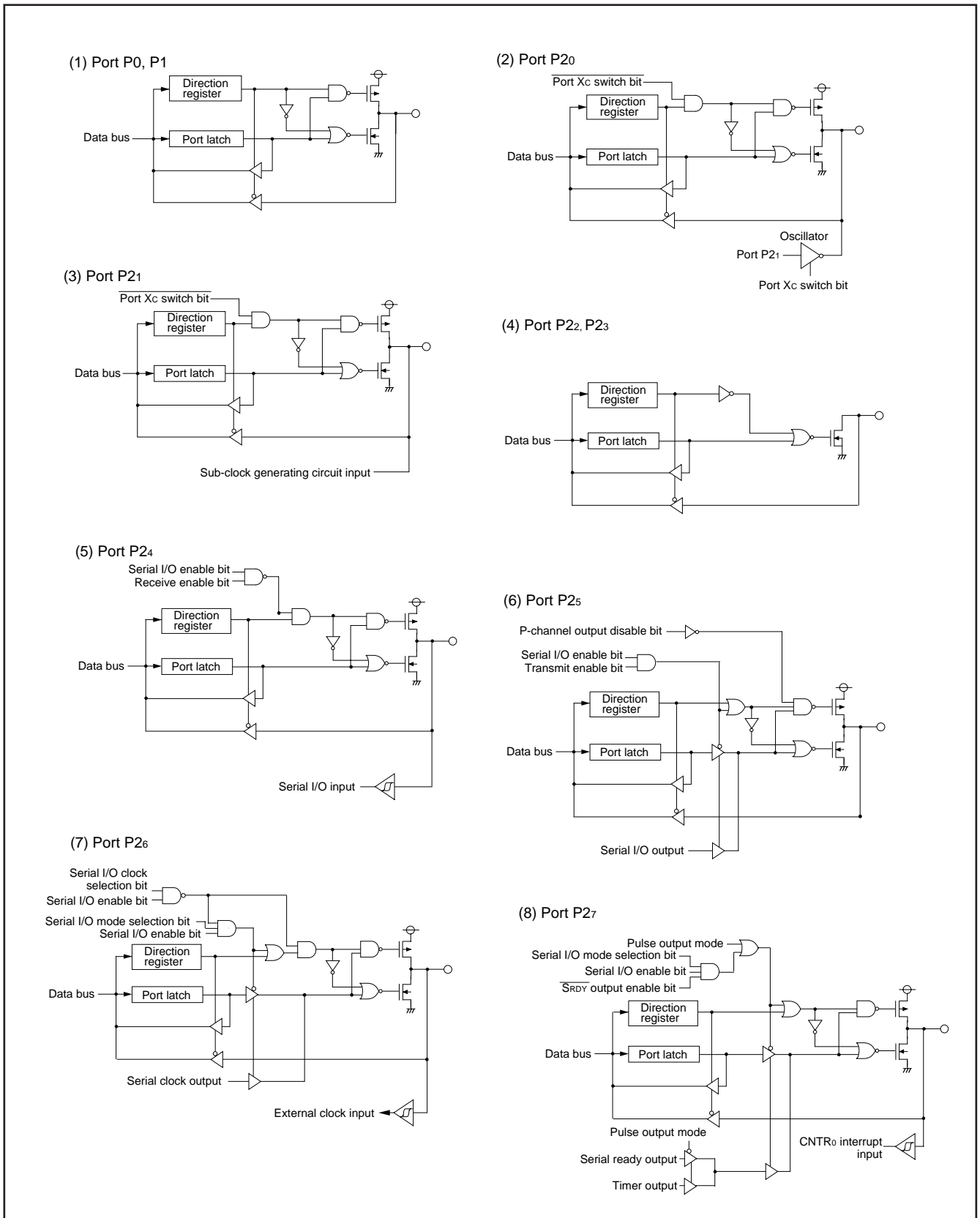


Fig. 8 Port block diagram (1)

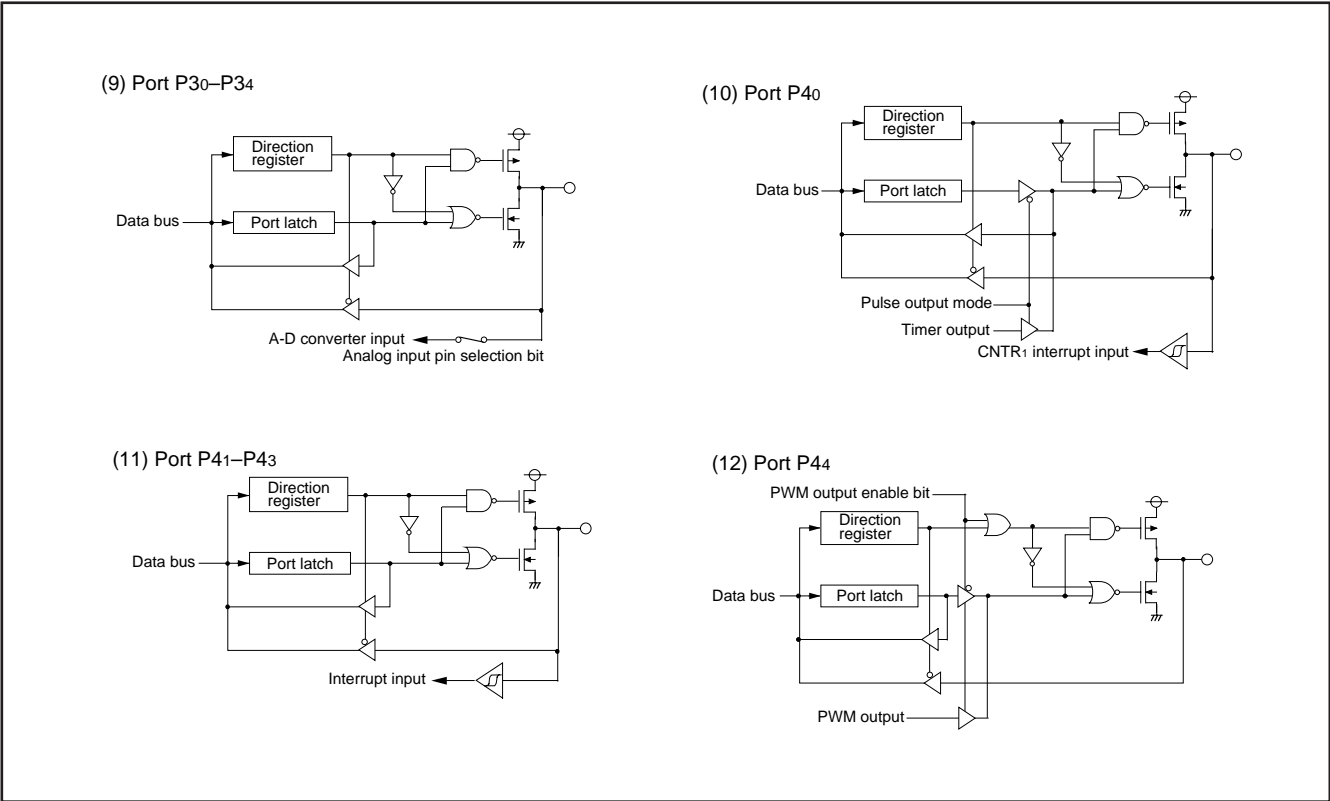


Fig. 9 Port block diagram (2)

## INTERRUPTS

Interrupts occur by 14 sources among 14 sources: six external, seven internal, and one software.

### Interrupt Control

Each interrupt is controlled by an interrupt request bit, an interrupt enable bit, and the interrupt disable flag except for the software interrupt set by the BRK instruction. An interrupt occurs if the corresponding interrupt request and enable bits are "1" and the interrupt disable flag is "0".

Interrupt enable bits can be set or cleared by software.

Interrupt request bits can be cleared by software, but cannot be set by software.

The BRK instruction cannot be disabled with any flag or bit. The I (interrupt disable) flag disables all interrupts except the BRK instruction interrupt.

When several interrupts occur at the same time, the interrupts are received according to priority.

### Interrupt Operation

By acceptance of an interrupt, the following operations are automatically performed:

1. The contents of the program counter and the processor status register are automatically pushed onto the stack.
2. The interrupt disable flag is set and the corresponding interrupt request bit is cleared.
3. The interrupt jump destination address is read from the vector table into the program counter.

### ■Notes

When the active edge of an external interrupt (INT<sub>0</sub>–INT<sub>3</sub>, CNTR<sub>0</sub>, CNTR<sub>1</sub>) is set, the corresponding interrupt request bit may also be set. Therefore, take the following sequence:

1. Disable the interrupt
2. Change the interrupt edge selection register (the timer XY mode register for CNTR<sub>0</sub> and CNTR<sub>1</sub>)
3. Clear the interrupt request bit to "0"
4. Accept the interrupt.

**Table 4 Interrupt vector addresses and priority**

Interrupt Source	Priority	Vector Addresses (Note 1)		Interrupt Request Generating Conditions	Remarks
		High	Low		
Reset (Note 2)	1	FFFD <sub>16</sub>	FFFC <sub>16</sub>	At reset	Non-maskable
INT <sub>0</sub>	2	FFFB <sub>16</sub>	FFFA <sub>16</sub>	At detection of either rising or falling edge of INT <sub>0</sub> input	External interrupt (active edge selectable)
Reserved	3	FFF9 <sub>16</sub>	FFF8 <sub>16</sub>	Reserved	
INT <sub>1</sub>	4	FFF7 <sub>16</sub>	FFF6 <sub>16</sub>	At detection of either rising or falling edge of INT <sub>1</sub> input	External interrupt (active edge selectable)
INT <sub>2</sub>	5	FFF5 <sub>16</sub>	FFF4 <sub>16</sub>	At detection of either rising or falling edge of INT <sub>2</sub> input	External interrupt (active edge selectable)
INT <sub>3</sub>	6	FFF3 <sub>16</sub>	FFF2 <sub>16</sub>	At detection of either rising or falling edge of INT <sub>3</sub> input	External interrupt (active edge selectable)
Reserved	7	FFF1 <sub>16</sub>	FFF0 <sub>16</sub>	Reserved	
Timer X	8	FFEF <sub>16</sub>	FFEE <sub>16</sub>	At timer X underflow	
Timer Y	9	FFED <sub>16</sub>	FFEC <sub>16</sub>	At timer Y underflow	
Timer 1	10	FFEB <sub>16</sub>	FFEA <sub>16</sub>	At timer 1 underflow	STP release timer underflow
Timer 2	11	FFE9 <sub>16</sub>	FFE8 <sub>16</sub>	At timer 2 underflow	
Serial I/O reception	12	FFE7 <sub>16</sub>	FFE6 <sub>16</sub>	At completion of serial I/O data reception	Valid when serial I/O is selected
Serial I/O Transmission	13	FFE5 <sub>16</sub>	FFE4 <sub>16</sub>	At completion of serial I/O transfer shift or when transmission buffer is empty	Valid when serial I/O is selected
CNTR <sub>0</sub>	14	FFE3 <sub>16</sub>	FFE2 <sub>16</sub>	At detection of either rising or falling edge of CNTR <sub>0</sub> input	External interrupt (active edge selectable)
CNTR <sub>1</sub>	15	FFE1 <sub>16</sub>	FFE0 <sub>16</sub>	At detection of either rising or falling edge of CNTR <sub>1</sub> input	External interrupt (active edge selectable)
A-D converter	16	FFDF <sub>16</sub>	FFDE <sub>16</sub>	At completion of A-D conversion	
BRK instruction	17	FFDD <sub>16</sub>	FFDC <sub>16</sub>	At BRK instruction execution	Non-maskable software interrupt

**Notes 1:** Vector addresses contain interrupt jump destination addresses.

**2:** Reset function in the same way as an interrupt with the highest priority.

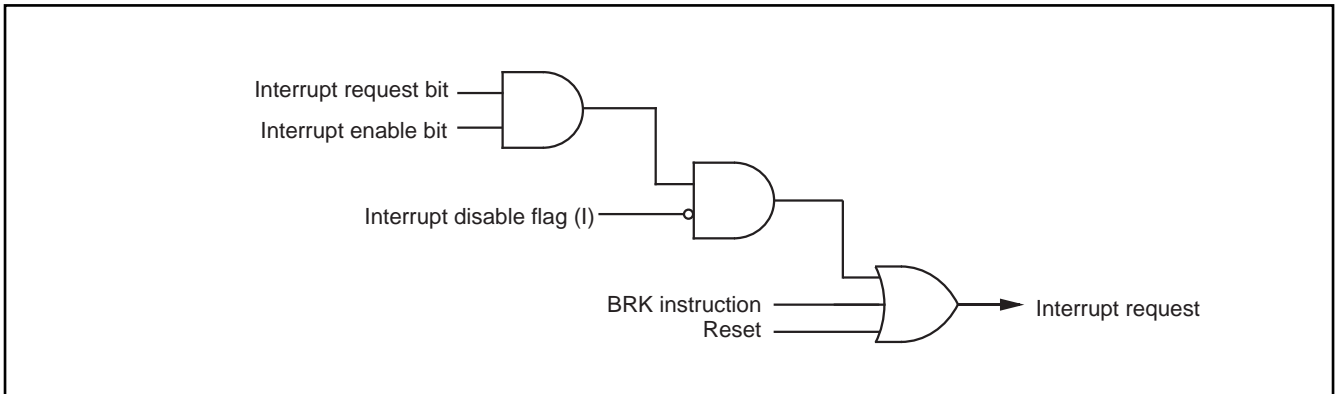


Fig. 10 Interrupt control

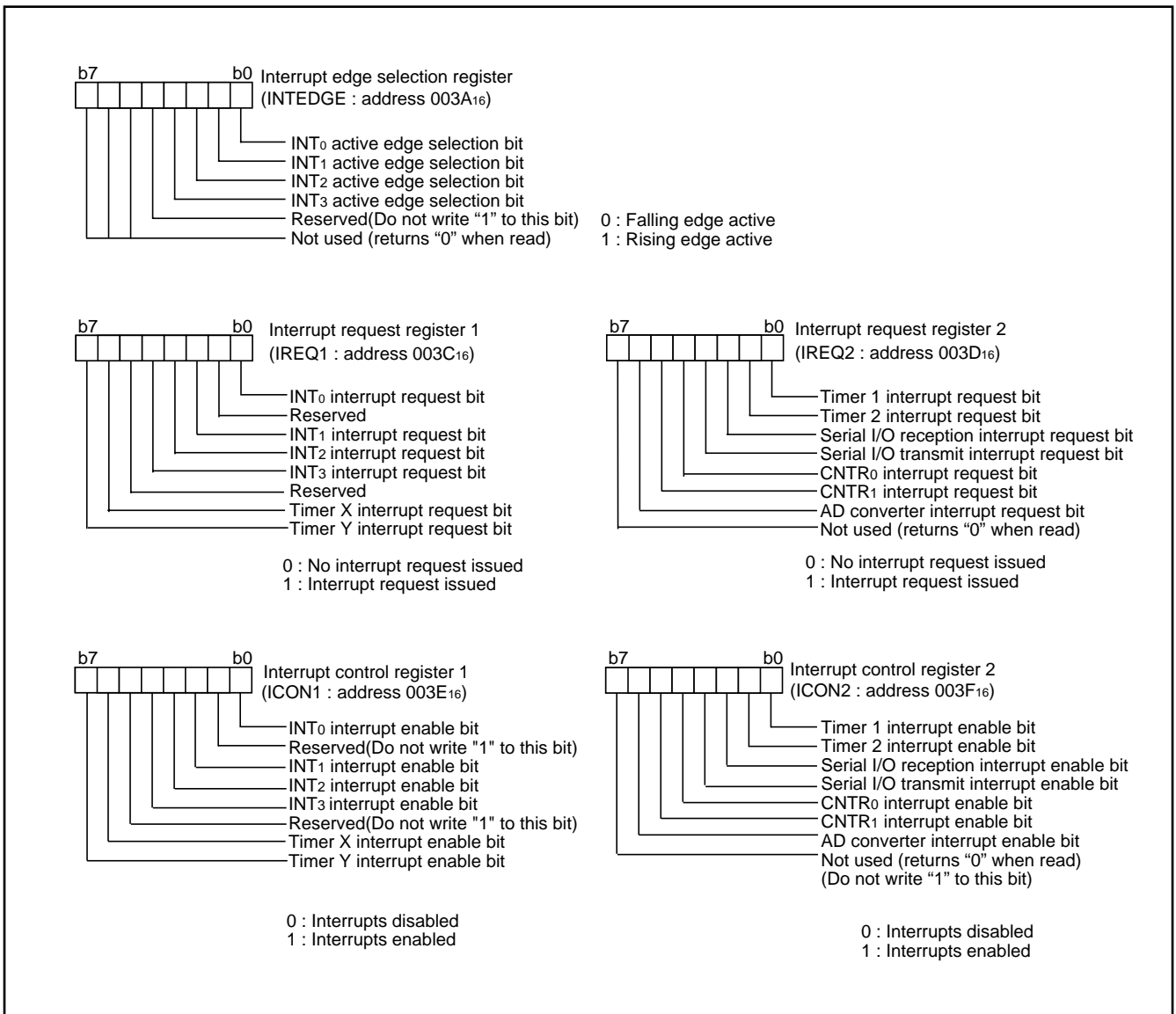


Fig. 11 Structure of interrupt-related registers (1)

**TIMERS**

The 3850 group has four timers: timer X, timer Y, timer 1, and timer 2.

The division ratio of each timer or prescaler is given by  $1/(n + 1)$ , where n is the value in the corresponding timer or prescaler latch. All timers are count down. When the timer reaches "0016", an underflow occurs at the next count pulse and the corresponding timer latch is reloaded into the timer and the count is continued. When a timer underflows, the interrupt request bit corresponding to that timer is set to "1".

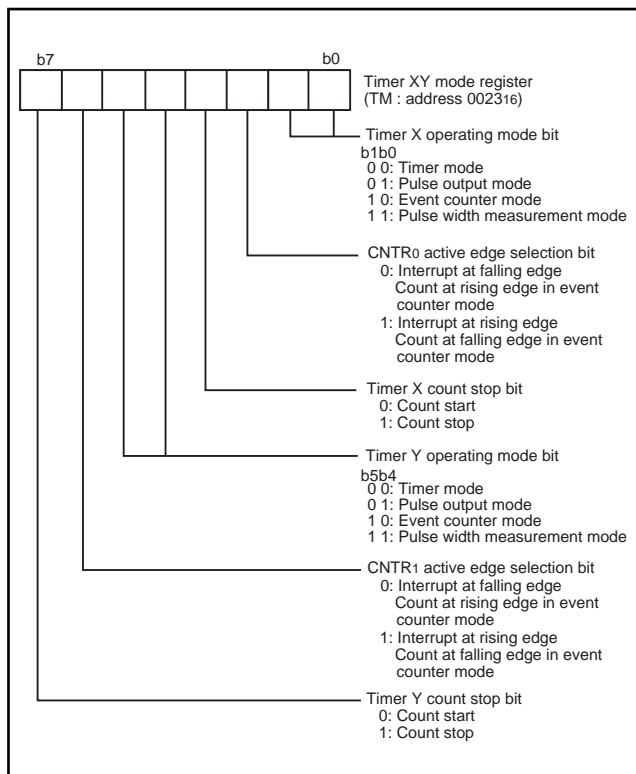


Fig. 12 Structure of timer XY mode register

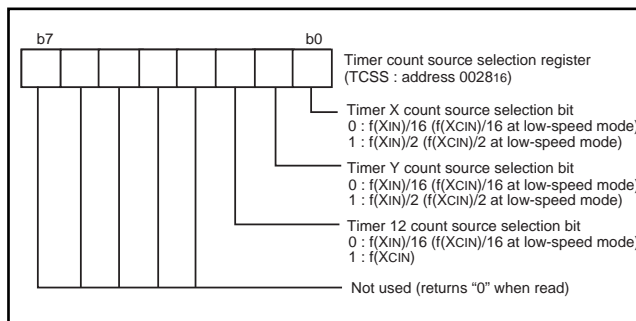


Fig. 13 Structure of timer count source selection register

**Timer 1 and Timer 2**

The count source of prescaler 12 is the oscillation frequency which is selected by timer 12 count source selection bit. The output of prescaler 12 is counted by timer 1 and timer 2, and a timer underflow sets the interrupt request bit.

**Timer X and Timer Y**

Timer X and Timer Y can each select in one of four operating modes by setting the timer XY mode register.

**(1) Timer Mode**

The timer counts the count source selected by Timer count source selection bit.

**(2) Pulse Output Mode**

The timer counts the count source selected by Timer count source selection bit. Whenever the contents of the timer reach "0016", the signal output from the CNTR0 (or CNTR1) pin is inverted. If the CNTR0 (or CNTR1) active edge selection bit is "0", output begins at "H".

If it is "1", output starts at "L". When using a timer in this mode, set the corresponding port P27 ( or port P40) direction register to output mode.

**(3) Event Counter Mode**

Operation in event counter mode is the same as in timer mode, except that the timer counts signals input through the CNTR0 or CNTR1 pin.

When the CNTR0 (or CNTR1) active edge selection bit is "0", the rising edge of the CNTR0 (or CNTR1) pin is counted.

When the CNTR0 (or CNTR1) active edge selection bit is "1", the falling edge of the CNTR0 (or CNTR1) pin is counted.

**(4) Pulse Width Measurement Mode**

If the CNTR0 (or CNTR1) active edge selection bit is "0", the timer counts the selected signals by the count source selection bit while the CNTR0 (or CNTR1) pin is at "H". If the CNTR0 (or CNTR1) active edge selection bit is "1", the timer counts it while the CNTR0 (or CNTR1) pin is at "L".

The count can be stopped by setting "1" to the timer X (or timer Y) count stop bit in any mode. The corresponding interrupt request bit is set each time a timer underflows.

**■Note**

When switching the count source by the timer 12, X and Y count source bit, the value of timer count is altered in unconsiderable amount owing to generating of a thin pulses in the count input signals.

Therefore, select the timer count source before set the value to the prescaler and the timer.

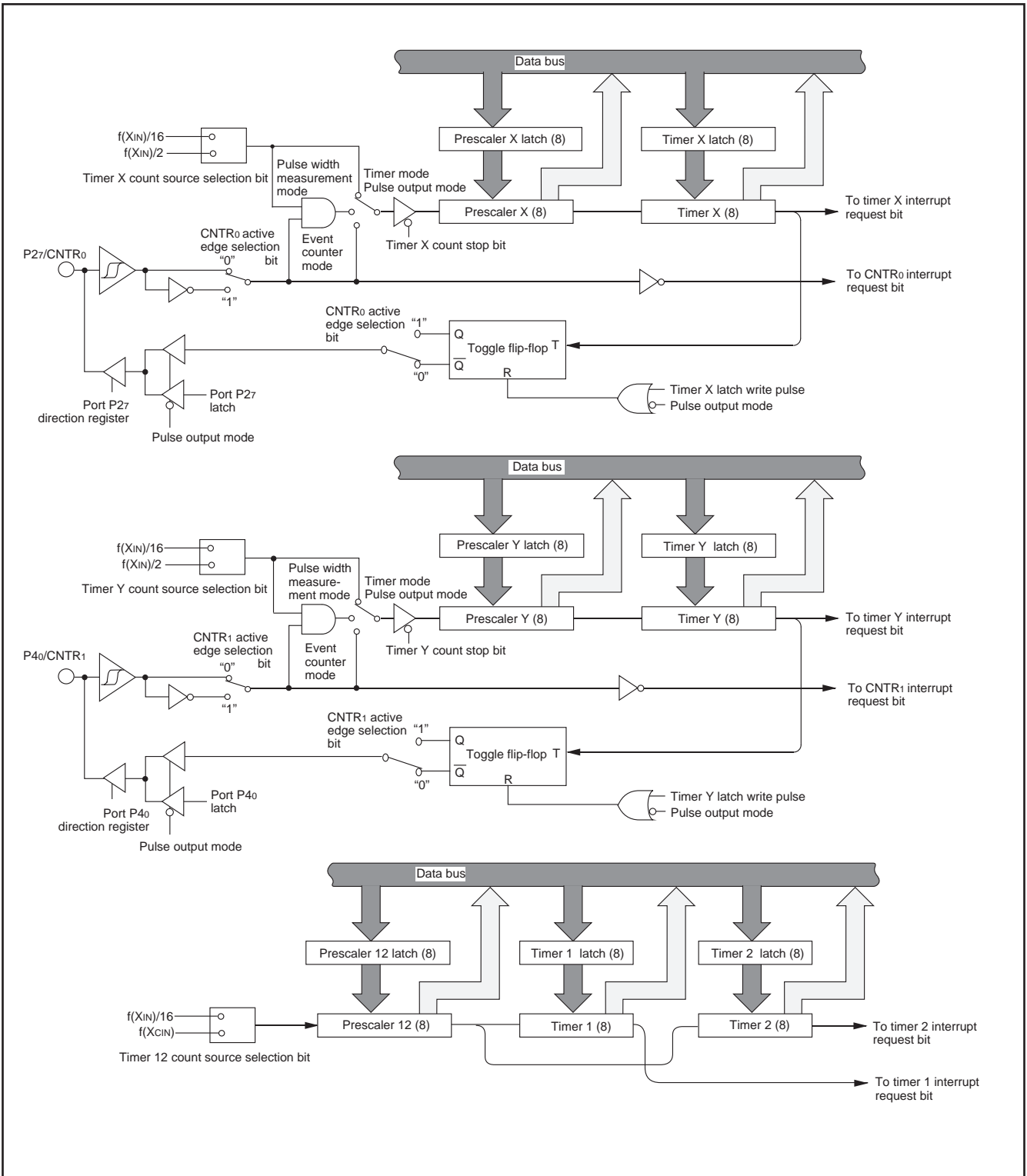


Fig. 14 Block diagram of timer X, timer Y, timer 1, and timer 2



**SERIAL I/O**

Serial I/O can be used as either clock synchronous or asynchronous (UART) serial I/O. A dedicated timer is also provided for baud rate generation.

**(1) Clock Synchronous Serial I/O Mode**

Clock synchronous serial I/O mode can be selected by setting the serial I/O mode selection bit of the serial I/O control register (bit 6 of address 001A<sub>16</sub>) to "1".

For clock synchronous serial I/O, the transmitter and the receiver must use the same clock. If an internal clock is used, transfer is started by a write signal to the TB/RB.

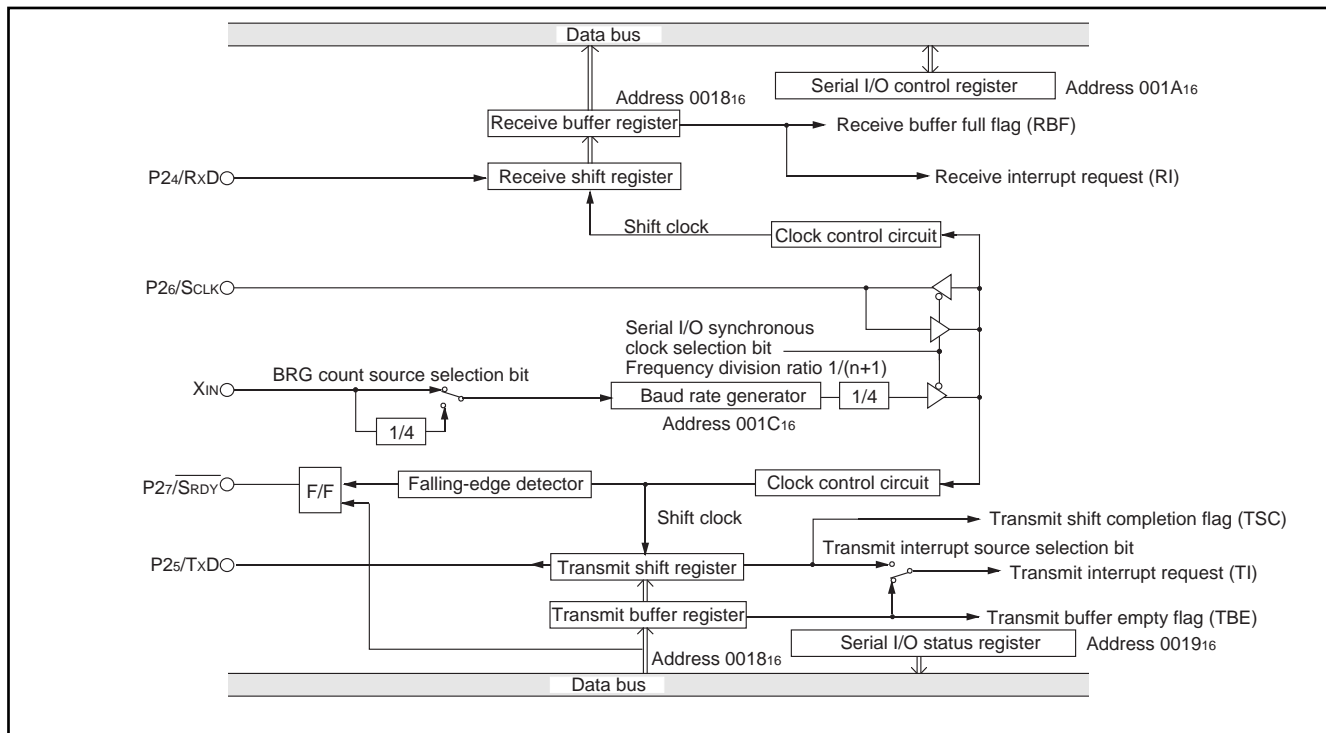


Fig. 15 Block diagram of clock synchronous serial I/O

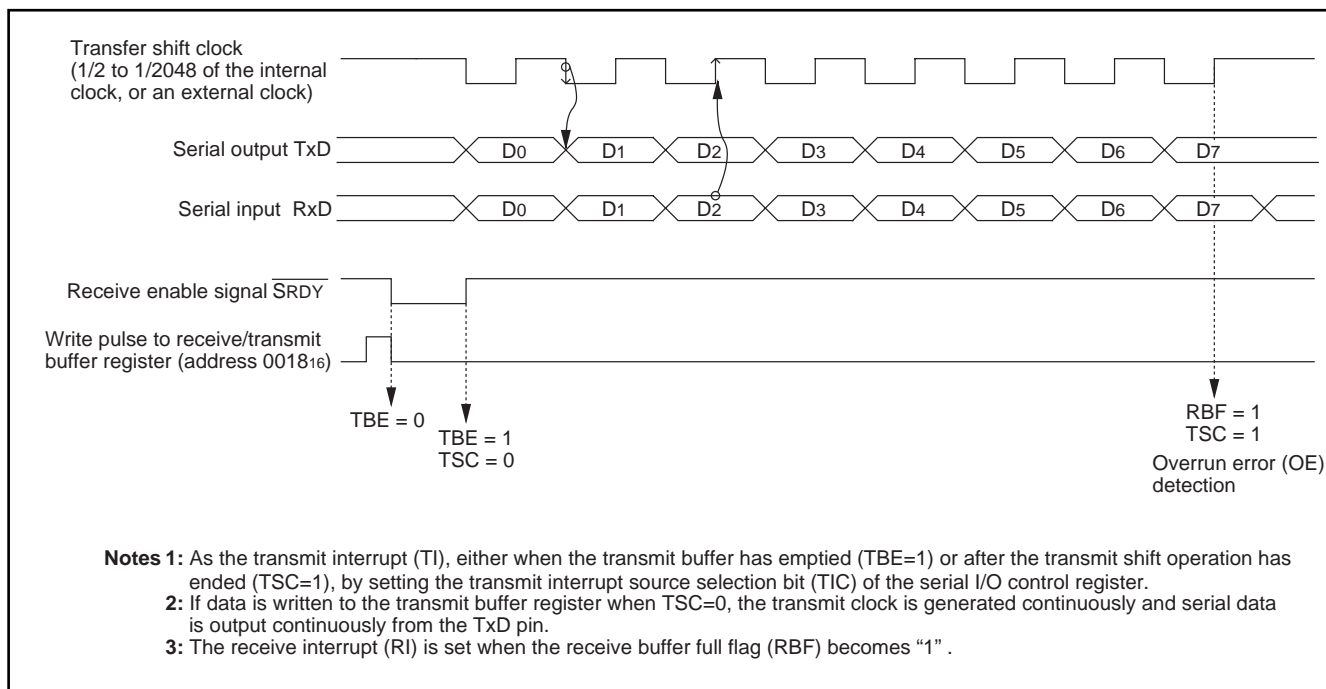


Fig. 16 Operation of clock synchronous serial I/O function

**(2) Asynchronous Serial I/O (UART) Mode**

Clock asynchronous serial I/O mode (UART) can be selected by clearing the serial I/O mode selection bit (b6) of the serial I/O control register to "0".

Eight serial data transfer formats can be selected, and the transfer formats used by a transmitter and receiver must be identical.

The transmit and receive shift registers each have a buffer, but the

two buffers have the same address in memory. Since the shift register cannot be written to or read from directly, transmit data is written to the transmit buffer register, and receive data is read from the receive buffer register.

The transmit buffer register can also hold the next data to be transmitted, and the receive buffer register can hold a character while the next character is being received.

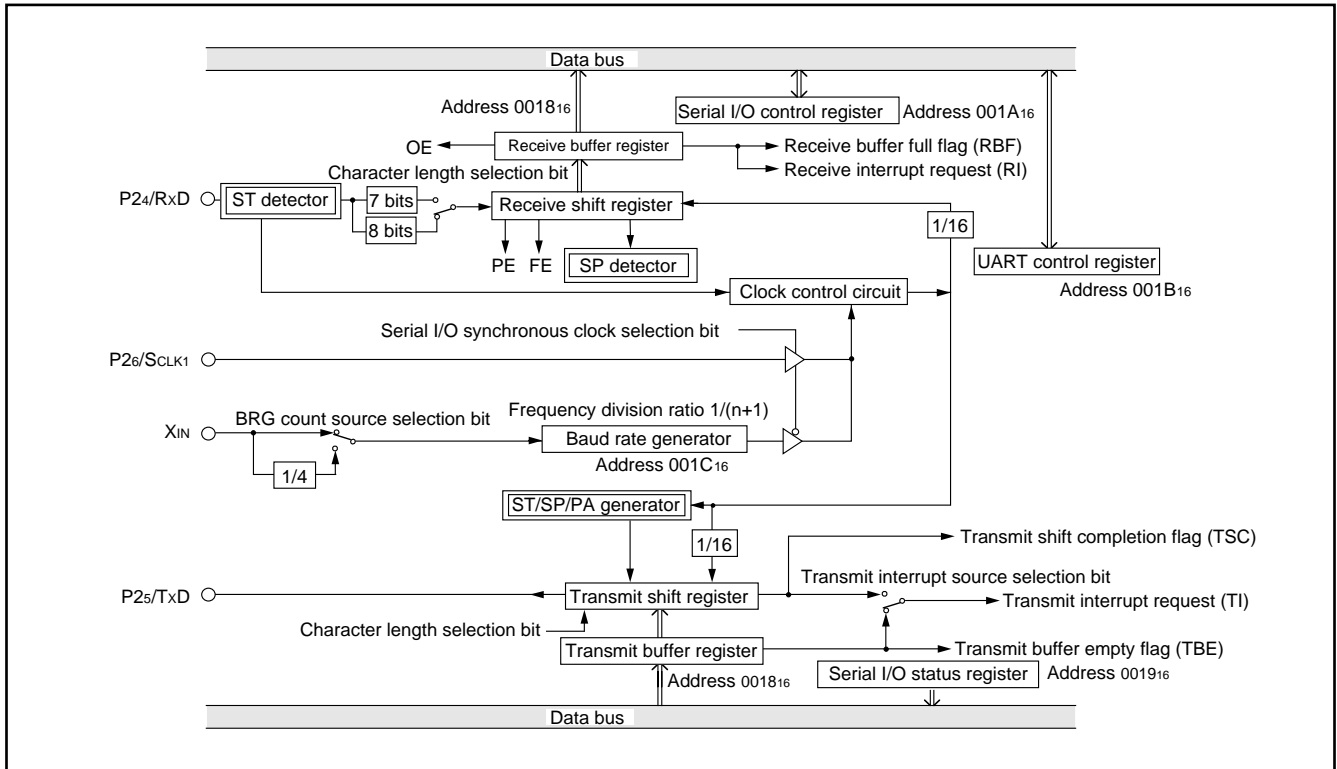


Fig.17 Block diagram of UART serial I/O

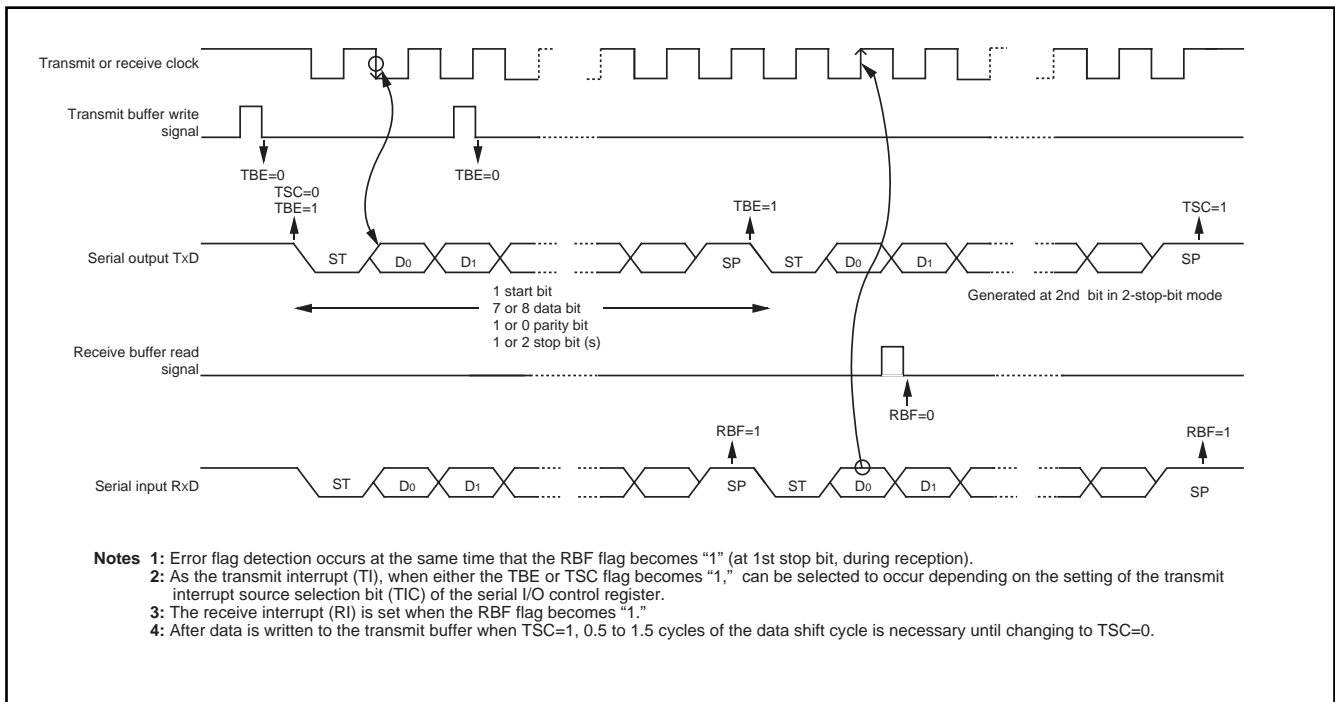


Fig. 18 Operation of UART serial I/O function

### [Transmit Buffer Register/Receive Buffer Register (TB/RB)] 001816

The transmit buffer register and the receive buffer register are located at the same address. The transmit buffer is write-only and the receive buffer is read-only. If a character bit length is 7 bits, the MSB of data stored in the receive buffer is "0".

### [Serial I/O Status Register (SIOSTS)] 001916

The read-only serial I/O status register consists of seven flags (bits 0 to 6) which indicate the operating status of the serial I/O function and various errors.

Three of the flags (bits 4 to 6) are valid only in UART mode.

The receive buffer full flag (bit 1) is cleared to "0" when the receive buffer register is read.

If there is an error, it is detected at the same time that data is transferred from the receive shift register to the receive buffer register, and the receive buffer full flag is set. A write to the serial I/O status register clears all the error flags OE, PE, FE, and SE (bit 3 to bit 6, respectively). Writing "0" to the serial I/O enable bit SIOE (bit 7 of the serial I/O control register) also clears all the status flags, including the error flags.

Bits 0 to 6 of the serial I/O status register are initialized to "0" at reset, but if the transmit enable bit (bit 4) of the serial I/O control register has been set to "1", the transmit shift completion flag (bit 2) and the transmit buffer empty flag (bit 0) become "1".

### Serial I/O Control Register (SIOCON)] 001A16

The serial I/O control register consists of eight control bits for the serial I/O function.

### [UART Control Register (UARTCON)] 001B16

The UART control register consists of four control bits (bits 0 to 3) which are valid when asynchronous serial I/O is selected and set the data format of an data transfer and one bit (bit 4) which is always valid and sets the output structure of the P25/TxD pin.

### [Baud Rate Generator (BRG)] 001C16

The baud rate generator determines the baud rate for serial transfer.

The baud rate generator divides the frequency of the count source by  $1/(n + 1)$ , where n is the value written to the baud rate generator.

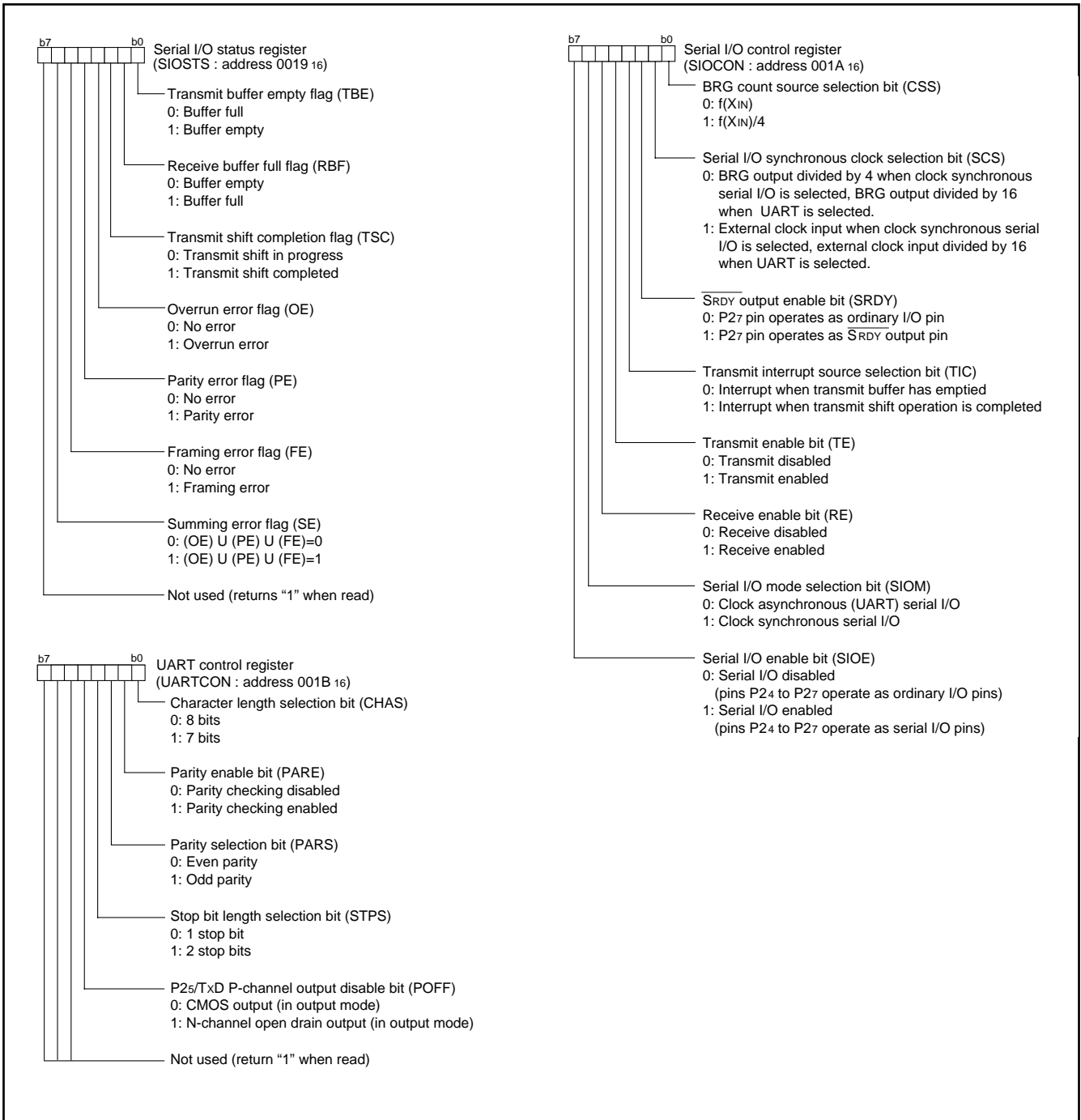


Fig. 19 Structure of serial I/O control registers

**PULSE WIDTH MODULATION (PWM)**

The 3850 group has a PWM function with an 8-bit resolution, based on a signal that is the clock input X<sub>IN</sub> or that clock input divided by 2.

**Data Setting**

The PWM output pin also functions as port P44. Set the PWM period by the PWM prescaler, and set the "H" term of output pulse by the PWM register.

If the value in the PWM prescaler is n and the value in the PWM register is m (where n = 0 to 255 and m = 0 to 255) :

$$\begin{aligned} \text{PWM period} &= 255 \times (n+1) / f(X_{IN}) \\ &= 31.875 \times (n+1) \mu\text{s} \quad (\text{when } f(X_{IN}) = 8 \text{ MHz}) \end{aligned}$$

$$\begin{aligned} \text{Output pulse "H" term} &= \text{PWM period} \times m / 255 \\ &= 0.125 \times (n+1) \times m \mu\text{s} \\ &\quad (\text{when } f(X_{IN}) = 8 \text{ MHz}) \end{aligned}$$

**PWM Operation**

When bit 0 (PWM enable bit) of the PWM control register is set to "1", operation starts by initializing the PWM output circuit, and pulses are output starting at an "H".

If the PWM register or PWM prescaler is updated during PWM output, the pulses will change in the cycle after the one in which the change was made.

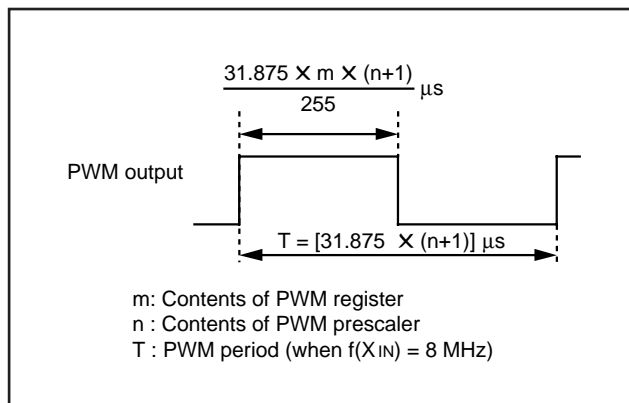


Fig. 20 Timing of PWM period

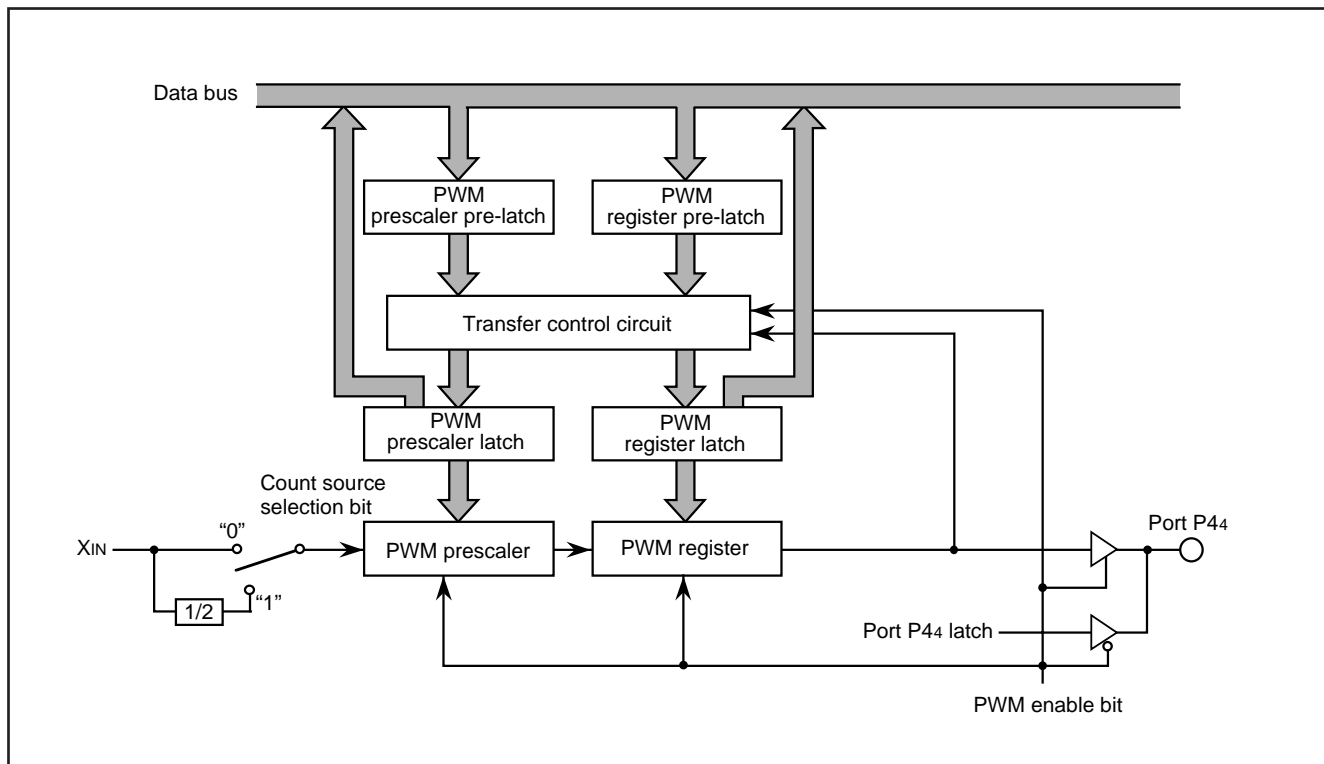


Fig. 21 Block diagram of PWM function

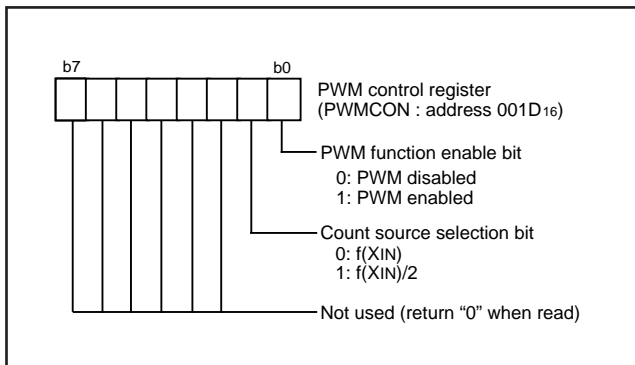


Fig. 22 Structure of PWM control register

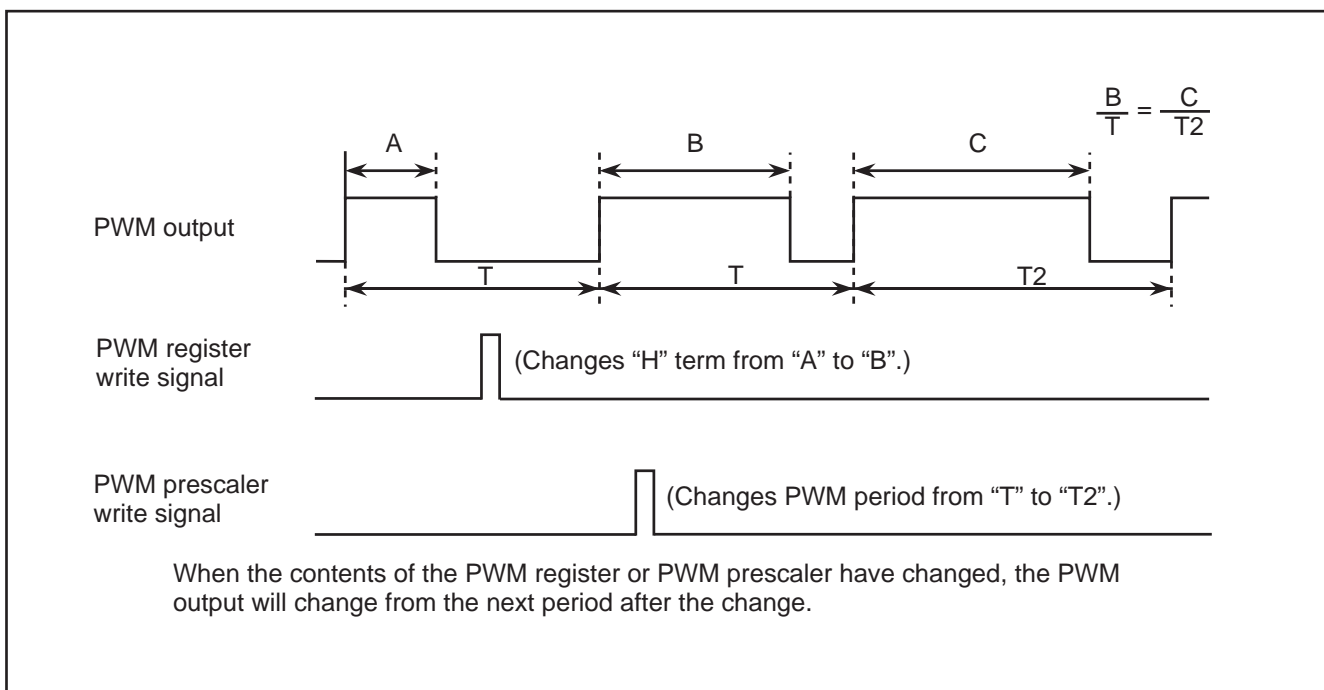


Fig. 23 PWM output timing when PWM register or PWM prescaler is changed

■Note

The PWM starts after the PWM enable bit is set to enable and "L" level is output from the PWM pin. The length of this "L" level output is as follows:

$$\frac{n+1}{2 \cdot f(XIN)} \text{ sec} \quad (\text{Count source selection bit} = 0, \text{ where } n \text{ is the value set in the prescaler})$$

$$\frac{n+1}{f(XIN)} \text{ sec} \quad (\text{Count source selection bit} = 1, \text{ where } n \text{ is the value set in the prescaler})$$

**A-D CONVERTER**

**[A-D Conversion Registers (ADL, ADH)] 003516, 003616**

The A-D conversion registers are read-only registers that store the result of an A-D conversion. Do not read these registers during an A-D conversion

**[AD Control Register (ADCON)] 003416**

The AD control register controls the A-D conversion process. Bits 0 to 2 select a specific analog input pin. Bit 4 indicates the completion of an A-D conversion. The value of this bit remains at "0" during an A-D conversion and changes to "1" when an A-D conversion ends. Writing "0" to this bit starts the A-D conversion.

**Comparison Voltage Generator**

The comparison voltage generator divides the voltage between AVSS and VREF into 1024 and outputs the divided voltages.

**Channel Selector**

The channel selector selects one of ports P30/AN0 to P34/AN4 and inputs the voltage to the comparator.

**Comparator and Control Circuit**

The comparator and control circuit compare an analog input voltage with the comparison voltage, and the result is stored in the A-D conversion registers. When an A-D conversion is completed, the control circuit sets the A-D conversion completion bit and the A-D interrupt request bit to "1".

Note that because the comparator consists of a capacitor coupling, set f(XIN) to 500 kHz or more during an A-D conversion.

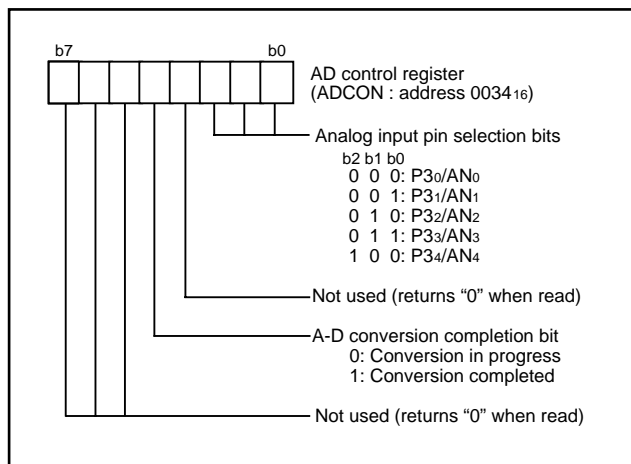


Fig. 24 Structure of AD control register

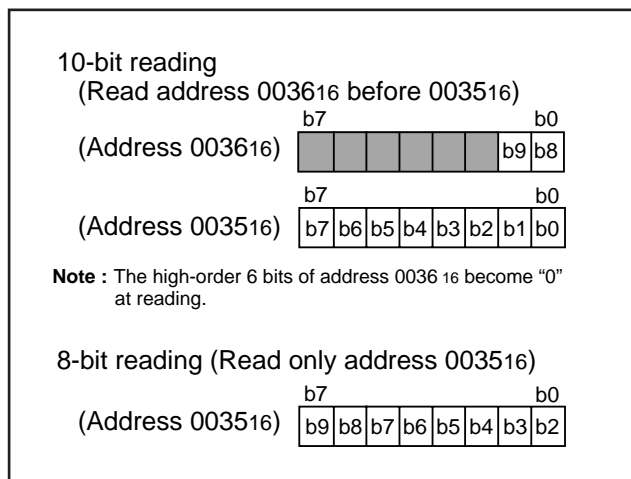


Fig. 25 Structure of A-D conversion registers

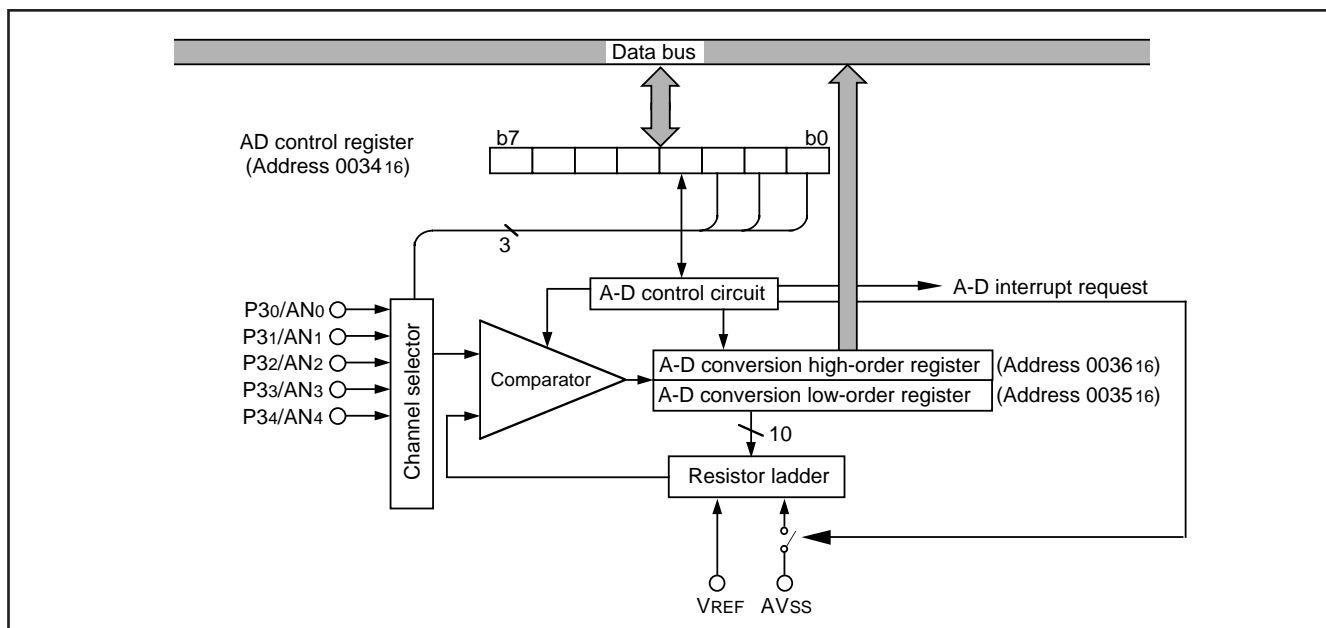


Fig. 26 Block diagram of A-D converter

**WATCHDOG TIMER**

The watchdog timer gives a mean of returning to the reset status when a program cannot run on a normal loop (for example, because of a software run-away). The watchdog timer consists of an 8-bit watchdog timer L and an 8-bit watchdog timer H.

**Standard Operation of Watchdog Timer**

When any data is not written into the watchdog timer control register (address 0039<sub>16</sub>) after resetting, the watchdog timer is in the stop state. The watchdog timer starts to count down by writing an optional value into the watchdog timer control register (address 0039<sub>16</sub>) and an internal reset occurs at an underflow of the watchdog timer H.

Accordingly, programming is usually performed so that writing to the watchdog timer control register (address 0039<sub>16</sub>) may be started before an underflow. When the watchdog timer control register (address 0039<sub>16</sub>) is read, the values of the high-order 6 bits of the watchdog timer H, STP instruction disable bit, and watchdog timer H count source selection bit are read.

**Initial value of watchdog timer**

At reset or writing to the watchdog timer control register (address 0039<sub>16</sub>), each watchdog timer H and L is set to "FF<sub>16</sub>."

**Watchdog timer H count source selection bit operation**

Bit 7 of the watchdog timer control register (address 0039<sub>16</sub>) permits selecting a watchdog timer H count source. When this bit is set to "0", the count source becomes the underflow signal of watchdog timer L. The detection time is set to 131.072 ms at  $f(X_{IN}) = 8$  MHz frequency and 32.768 s at  $f(X_{CIN}) = 32$  kHz frequency. When this bit is set to "1", the count source becomes the signal divided by 16 for  $f(X_{IN})$  (or  $f(X_{CIN})$ ). The detection time in this case is set to 512  $\mu$ s at  $f(X_{IN}) = 8$  MHz frequency and 128 ms at  $f(X_{CIN}) = 32$  kHz frequency. This bit is cleared to "0" after resetting.

**Operation of STP instruction disable bit**

Bit 6 of the watchdog timer control register (address 0039<sub>16</sub>) permits disabling the STP instruction when the watchdog timer is in operation.

When this bit is "0", the STP instruction is enabled.

When this bit is "1", the STP instruction is disabled, once the STP instruction is executed, an internal reset occurs. When this bit is set to "1", it cannot be rewritten to "0" by program. This bit is cleared to "0" after resetting.

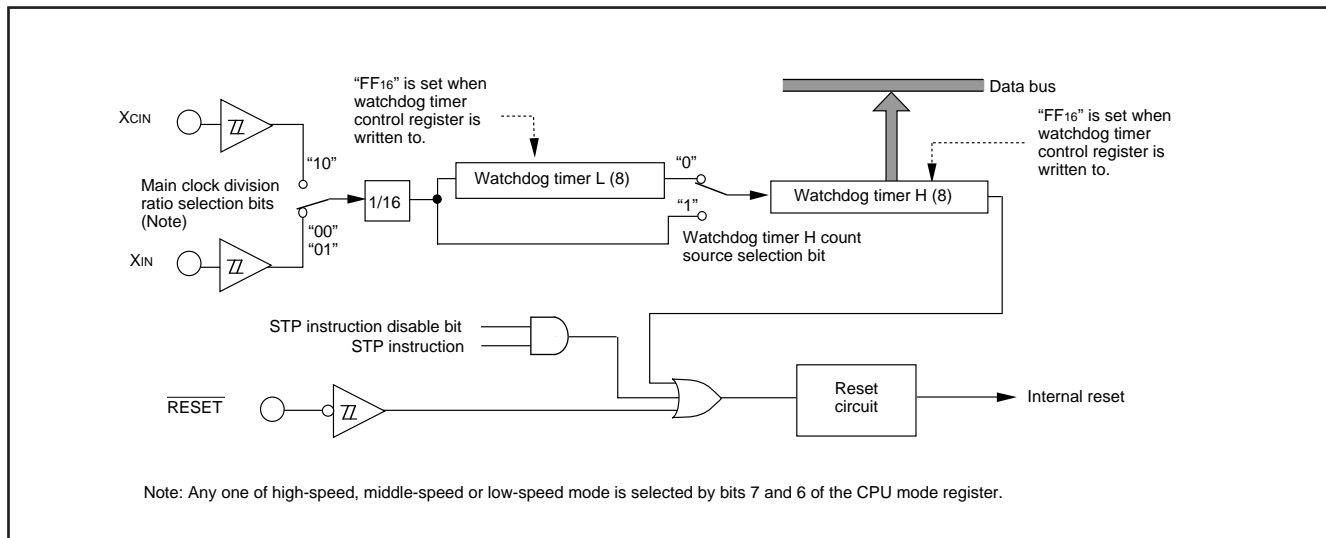


Fig. 27 Block diagram of Watchdog timer

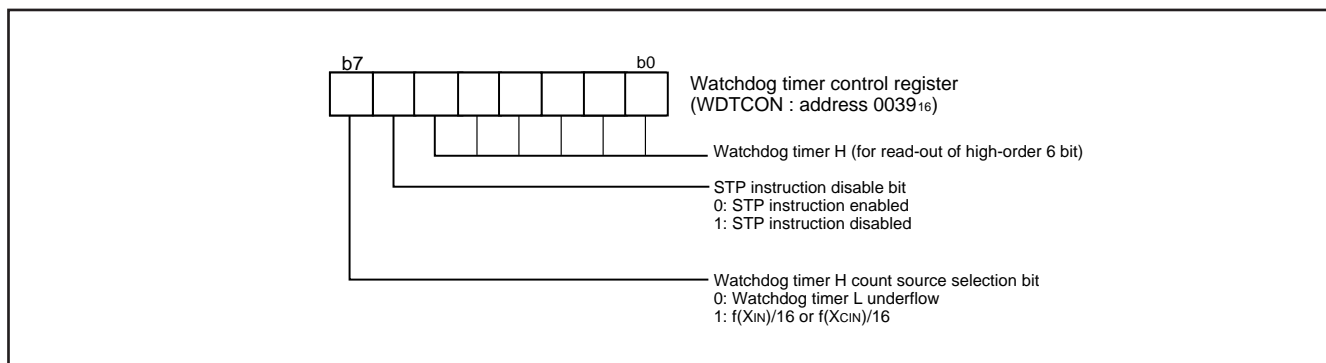


Fig. 28 Structure of Watchdog timer control register



**RESET CIRCUIT**

To reset the microcomputer,  $\overline{\text{RESET}}$  pin must be held at an "L" level for 2  $\mu\text{s}$  or more. Then the  $\overline{\text{RESET}}$  pin is returned to an "H" level (the power source voltage must be between 2.7 V and 5.5 V, and the oscillation must be stable), reset is released. After the reset is completed, the program starts from the address contained in address  $\text{FFFD}_{16}$  (high-order byte) and address  $\text{FFFC}_{16}$  (low-order byte). Make sure that the reset input voltage is less than 0.54 V for  $V_{\text{CC}}$  of 2.7 V.

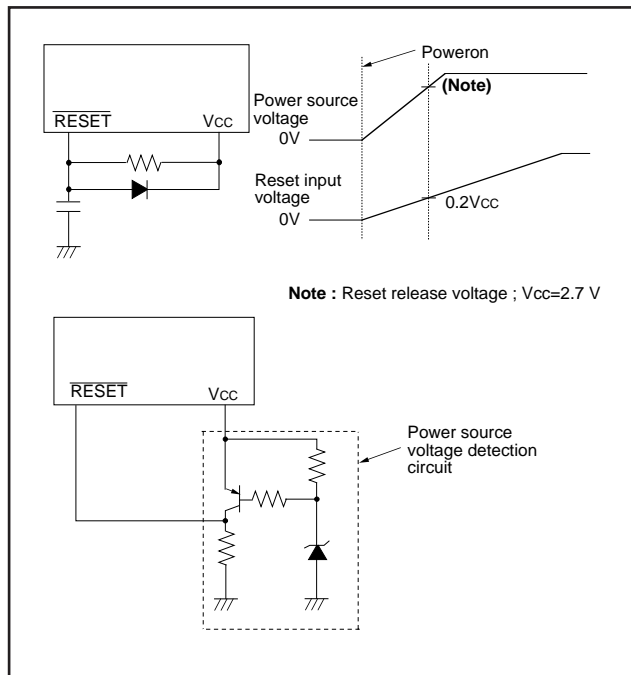


Fig. 29 Reset circuit example

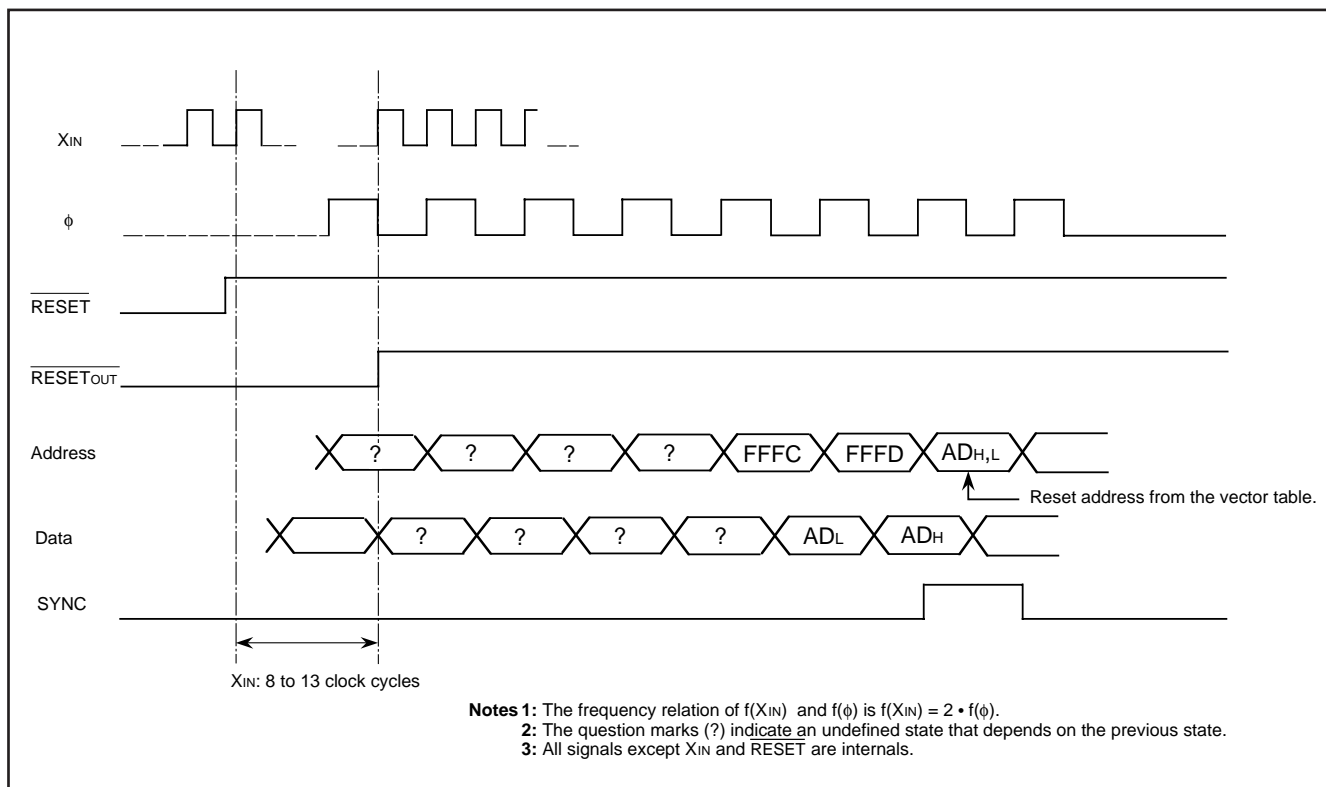


Fig. 30 Reset sequence

	Address	Register contents
(1) Port P0 direction register (P0D)	0001 <sub>16</sub>	00 <sub>16</sub>
(2) Port P1 direction register (P1D)	0003 <sub>16</sub>	00 <sub>16</sub>
(3) Port P2 direction register (P2D)	0005 <sub>16</sub>	00 <sub>16</sub>
(4) Port P3 direction register (P3D)	0007 <sub>16</sub>	00 <sub>16</sub>
(5) Port P4 direction register (P4D)	0009 <sub>16</sub>	00 <sub>16</sub>
(6) Serial I/O status register (SIOSTS)	0019 <sub>16</sub>	1 0 0 0 0 0 0 0 0 0
(7) Serial I/O control register (SIOCON)	001A <sub>16</sub>	00 <sub>16</sub>
(8) UART control register (UARTCON)	001B <sub>16</sub>	1 1 1 0 0 0 0 0 0 0
(9) PWM control register (PWMCON)	001D <sub>16</sub>	00 <sub>16</sub>
(10) Prescaler 12 (PRE12)	0020 <sub>16</sub>	FF <sub>16</sub>
(11) Timer 1 (T1)	0021 <sub>16</sub>	01 <sub>16</sub>
(12) Timer 2 (T2)	0022 <sub>16</sub>	00 <sub>16</sub>
(13) Timer XY mode register (TM)	0023 <sub>16</sub>	00 <sub>16</sub>
(14) Prescaler X (PREX)	0024 <sub>16</sub>	FF <sub>16</sub>
(15) Timer X (TX)	0025 <sub>16</sub>	FF <sub>16</sub>
(16) Prescaler Y (PREY)	0026 <sub>16</sub>	FF <sub>16</sub>
(17) Timer Y (TY)	0027 <sub>16</sub>	FF <sub>16</sub>
(18) Timer count source select register	0028 <sub>16</sub>	00 <sub>16</sub>
(19) Reserved	002C <sub>16</sub>	Not fixed
(20) Reserved	002D <sub>16</sub>	Not fixed
(21) Reserved	002E <sub>16</sub>	Not fixed
(22) Reserved	002F <sub>16</sub>	Not fixed
(23) Reserved	0030 <sub>16</sub>	Not fixed
(24) AD control register (ADCON)	0034 <sub>16</sub>	0 0 0 1 0 0 0 0 0 0
(25) MISRG	0038 <sub>16</sub>	00 <sub>16</sub>
(26) Watchdog timer control register (WDTCON)	0039 <sub>16</sub>	0 0 1 1 1 1 1 1 1 1
(27) Interrupt edge selection register (INTEEDGE)	003A <sub>16</sub>	00 <sub>16</sub>
(28) CPU mode register (CPUM)	003B <sub>16</sub>	0 1 0 0 1 0 0 0 0 0
(29) Interrupt request register 1 (IREQ1)	003C <sub>16</sub>	00 <sub>16</sub>
(30) Interrupt request register 2 (IREQ2)	003D <sub>16</sub>	00 <sub>16</sub>
(31) Interrupt control register 1 (ICON1)	003E <sub>16</sub>	00 <sub>16</sub>
(32) Interrupt control register 2 (ICON2)	003F <sub>16</sub>	00 <sub>16</sub>
(33) Processor status register	(PS)	X X X X X 1 X X
(34) Program counter	(PC <sub>H</sub> )	FFF <sub>16</sub> contents
	(PC <sub>L</sub> )	FFC <sub>16</sub> contents

**Note :** X indicates Not fixed .

Fig. 31 Internal status at reset

## CLOCK GENERATING CIRCUIT

The 3850 group has two built-in oscillation circuits. An oscillation circuit can be formed by connecting a resonator between X<sub>IN</sub> and X<sub>OUT</sub> (X<sub>CIN</sub> and X<sub>COU</sub>T). Use the circuit constants in accordance with the resonator manufacturer's recommended values. No external resistor is needed between X<sub>IN</sub> and X<sub>OUT</sub> since a feed-back resistor exists on-chip. However, an external feed-back resistor is needed between X<sub>CIN</sub> and X<sub>COU</sub>T.

Immediately after power on, only the X<sub>IN</sub> oscillation circuit starts oscillating, and X<sub>CIN</sub> and X<sub>COU</sub>T pins function as I/O ports.

### Frequency Control

#### (1) Middle-speed mode

The internal clock  $\phi$  is the frequency of X<sub>IN</sub> divided by 8. After reset, this mode is selected.

#### (2) High-speed mode

The internal clock  $\phi$  is half the frequency of X<sub>IN</sub>.

#### (3) Low-speed mode

The internal clock  $\phi$  is half the frequency of X<sub>CIN</sub>.

#### ■Note

If you switch the mode between middle/high-speed and low-speed, stabilize both X<sub>IN</sub> and X<sub>CIN</sub> oscillations. The sufficient time is required for the sub-clock to stabilize, especially immediately after power on and at returning from the stop mode. When switching the mode between middle/high-speed and low-speed, set the frequency on condition that  $f(X_{IN}) > 3 \cdot f(X_{CIN})$ .

#### (4) Low power dissipation mode

The low power consumption operation can be realized by stopping the main clock X<sub>IN</sub> in low-speed mode. To stop the main clock, set bit 5 of the CPU mode register to "1." When the main clock X<sub>IN</sub> is restarted (by setting the main clock stop bit to "0"), set sufficient time for oscillation to stabilize.

The sub-clock X<sub>CIN</sub>-X<sub>COU</sub>T oscillating circuit can not directly input clocks that are generated externally. Accordingly, make sure to cause an external resonator to oscillate.

### Oscillation Control

#### (1) Stop mode

If the STP instruction is executed, the internal clock  $\phi$  stops at an "H" level, and X<sub>IN</sub> and X<sub>CIN</sub> oscillation stops. When the oscillation stabilizing time set after STP instruction released bit is "0," the prescaler 12 is set to "FF<sub>16</sub>" and timer 1 is set to "01<sub>16</sub>." When the oscillation stabilizing time set after STP instruction released bit is "1," set the sufficient time for oscillation of used oscillator to stabilize since nothing is set to the prescaler 12 and timer 1.

Either X<sub>IN</sub> or X<sub>CIN</sub> divided by 16 is input to the prescaler 12 as count source. Oscillator restarts when an external interrupt is received, but the internal clock  $\phi$  is not supplied to the CPU (remains at "H") until timer 1 underflows. The internal clock  $\phi$  is supplied for the first time, when timer 1 underflows. This ensures time for the clock oscillation using the ceramic resonators to be stabilized. When the oscillator is restarted by reset, apply "L" level to the RESET pin until the oscillation is stable since a wait time will not

be generated.

#### (2) Wait mode

If the WIT instruction is executed, the internal clock  $\phi$  stops at an "H" level, but the oscillator does not stop. The internal clock  $\phi$  restarts at reset or when an interrupt is received. Since the oscillator does not stop, normal operation can be started immediately after the clock is restarted.

To ensure that the interrupts will be received to release the STP or WIT state, their interrupt enable bits must be set to "1" before executing of the STP or WIT instruction.

When releasing the STP state, the prescaler 12 and timer 1 will start counting the clock X<sub>IN</sub> divided by 16. Accordingly, set the timer 1 interrupt enable bit to "0" before executing the STP instruction.

#### ■Note

When using the oscillation stabilizing time set after STP instruction released bit set to "1," evaluate time to stabilize oscillation of the used oscillator and set the value to the timer 1 and prescaler 12.

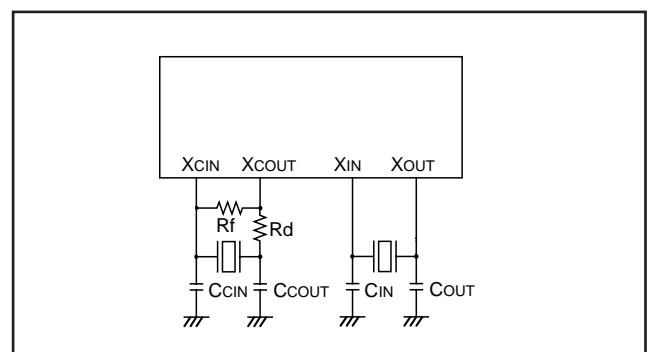


Fig. 32 Ceramic resonator circuit

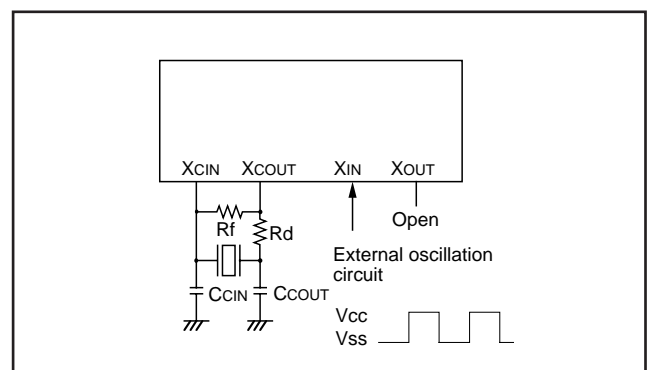


Fig. 33 External clock input circuit

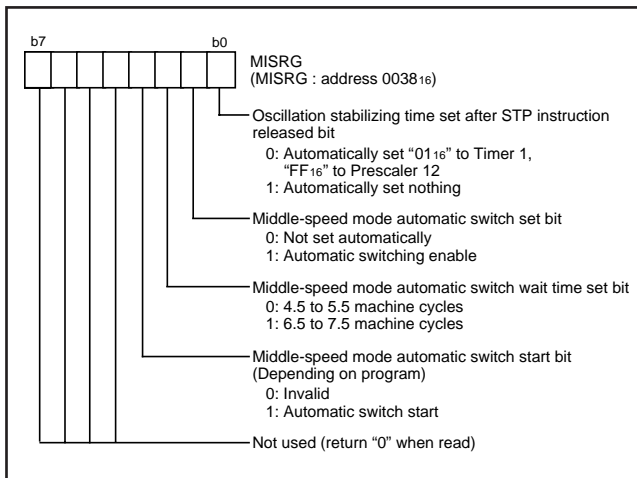


Fig. 34 Structure of MISRG

**Middle-speed mode automatic switch set bit**

By setting the middle-speed mode automatic switch set bit to "1" while operating in the low-speed mode, XIN oscillation automatically starts and the mode is automatically switched to the middle-speed mode when detecting a rising/falling edge of the SCL or SDA pin. The middle-speed automatic switch wait time set bit can select the switch timing from the low-speed to the middle-speed mode; either 4.5 to 5.5 machine cycles or 6.5 to 7.5 machine cycles in the low-speed mode. Select it according to oscillation start characteristics of used XIN oscillator.

The middle-speed mode automatic switch start bit is used to automatically make to XIN oscillation start and switch to the middle-speed mode by setting this bit to "1" while operating in the low-speed mode.

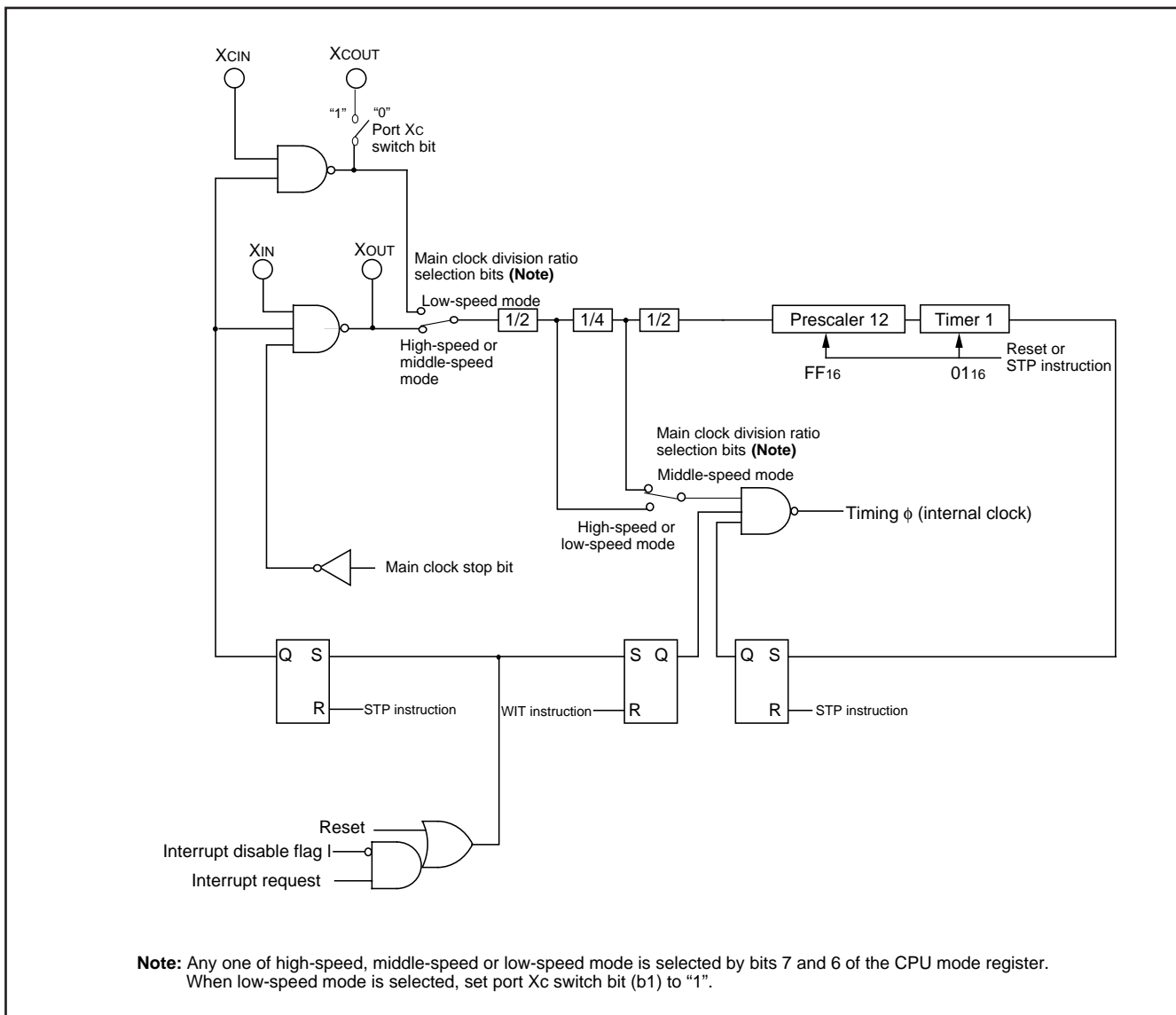


Fig. 35 System clock generating circuit block diagram (Single-chip mode)

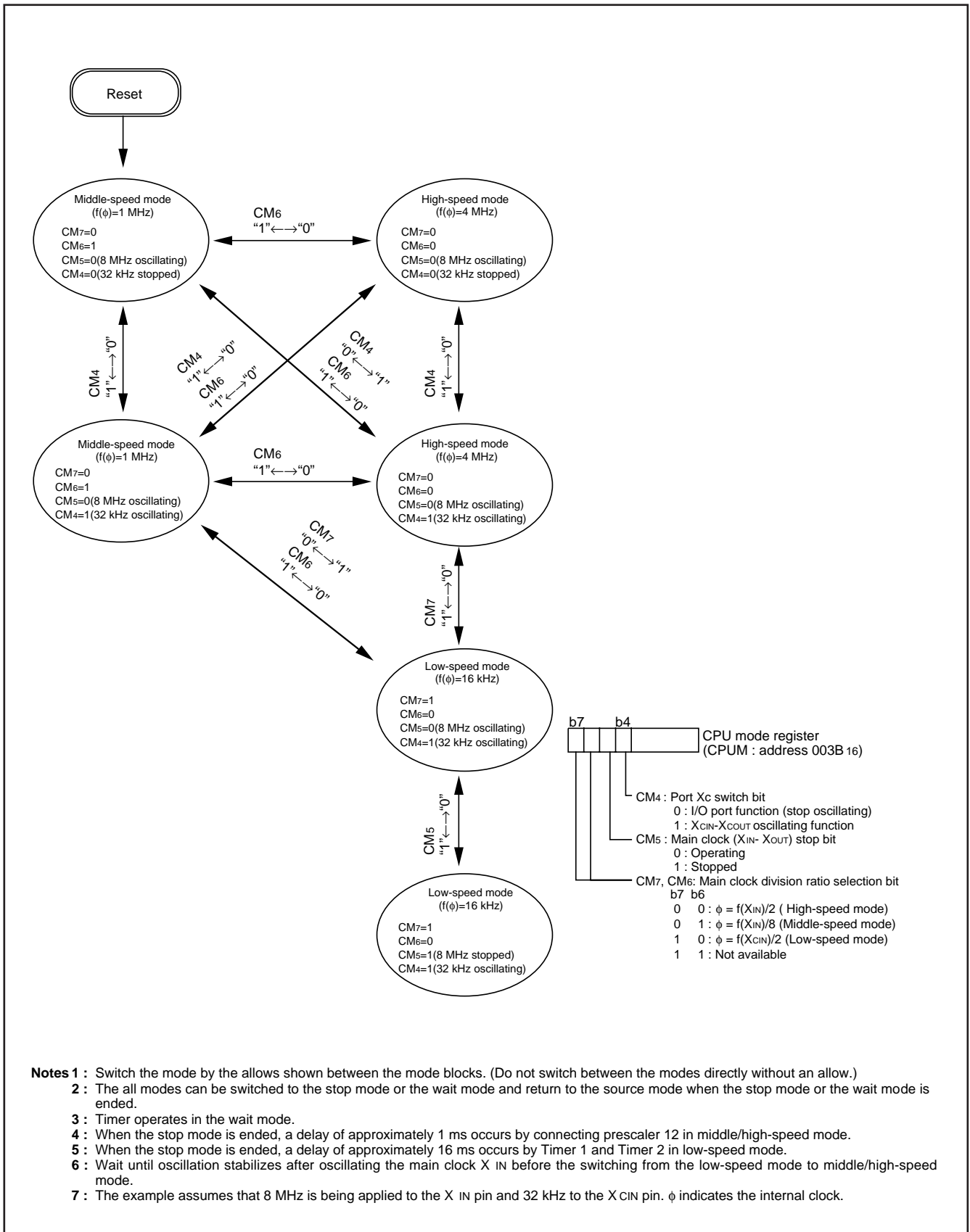


Fig. 36 State transitions of system clock

## NOTES ON PROGRAMMING

### Processor Status Register

The contents of the processor status register (PS) after a reset are undefined, except for the interrupt disable flag (I) which is "1." After a reset, initialize flags which affect program execution. In particular, it is essential to initialize the index X mode (T) and the decimal mode (D) flags because of their effect on calculations.

### Interrupts

The contents of the interrupt request bits do not change immediately after they have been written. After writing to an interrupt request register, execute at least one instruction before performing a BBC or BBS instruction.

### Decimal Calculations

- To calculate in decimal notation, set the decimal mode flag (D) to "1", then execute an ADC or SBC instruction. After executing an ADC or SBC instruction, execute at least one instruction before executing a SEC, CLC, or CLD instruction.
- In decimal mode, the values of the negative (N), overflow (V), and zero (Z) flags are invalid.

### Timers

If a value  $n$  (between 0 and 255) is written to a timer latch, the frequency division ratio is  $1/(n+1)$ .

### Multiplication and Division Instructions

- The index X mode (T) and the decimal mode (D) flags do not affect the MUL and DIV instruction.
- The execution of these instructions does not change the contents of the processor status register.

### Ports

The contents of the port direction registers cannot be read. The following cannot be used:

- The data transfer instruction (LDA, etc.)
- The operation instruction when the index X mode flag (T) is "1"
- The addressing mode which uses the value of a direction register as an index
- The bit-test instruction (BBC or BBS, etc.) to a direction register
- The read-modify-write instructions (ROR, CLB, or SEB, etc.) to a direction register.

Use instructions such as LDM and STA, etc., to set the port direction registers.

### Serial I/O

In clock synchronous serial I/O, if the receive side is using an external clock and it is to output the SRDY signal, set the transmit enable bit, the receive enable bit, and the SRDY output enable bit to "1."

Serial I/O continues to output the final bit from the TXD pin after transmission is completed.

When an external clock is used as synchronous clock in serial I/O, write transmission data to the transmit buffer register while the transfer clock is "H."

### A-D Converter

The comparator uses capacitive coupling amplifier whose charge will be lost if the clock frequency is too low.

Therefore, make sure that  $f(XIN)$  is at least on 500 kHz during an A-D conversion.

Do not execute the STP or WIT instruction during an A-D conversion.

### Instruction Execution Time

The instruction execution time is obtained by multiplying the frequency of the internal clock  $\phi$  by the number of cycles needed to execute an instruction.

The number of cycles required to execute an instruction is shown in the list of machine instructions.

The frequency of the internal clock  $\phi$  is half of the  $XIN$  frequency in high-speed mode.

**DATA REQUIRED FOR MASK ORDERS**

The following are necessary when ordering a mask ROM production:

- 1.Mask ROM Order Confirmation Form
- 2.Mark Specification Form
- 3.Data to be written to ROM, in EPROM form (three identical copies)

**DATA REQUIRED FOR ROM WRITING ORDERS**

The following are necessary when ordering a ROM writing:

- 1.ROM Writing Confirmation Form
- 2.Mark Specification Form
- 3.Data to be written to ROM, in EPROM form (three identical copies)

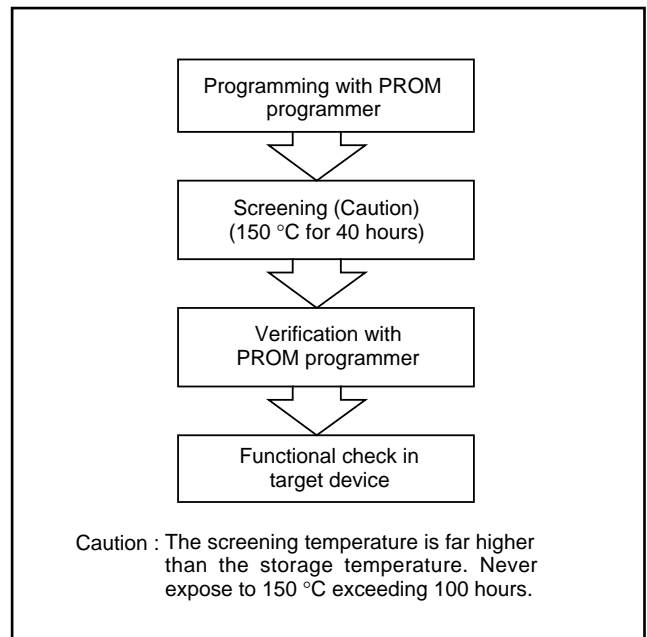
**ROM PROGRAMMING METHOD**

The built-in PROM of the blank One Time PROM version and built-in EPROM version can be read or programmed with a general-purpose PROM programmer using a special programming adapter. Set the address of PROM programmer in the user ROM area.

**Table 5 Programming adapter**

Package	Name of Programming Adapter
42P2R-A	PCA4738F-42A
42P4B	PCA4738S-42A

The PROM of the blank One Time PROM version is not tested or screened in the assembly process and following processes. To ensure proper operation after programming, the procedure shown in Figure 49 is recommended to verify programming.



**Fig. 37 Programming and testing of One Time PROM version**

**ELECTRICAL CHARACTERISTICS**

**Table 6 Absolute maximum ratings**

Symbol	Parameter	Conditions	Ratings	Unit
VCC	Power source voltage		-0.3 to 7.0	V
VI	Input voltage P00-P07, P10-P17, P20, P21, P24-P27, P30-P34, P40-P44, VREF	All voltages are based on Vss. Output transistors are cut off.	-0.3 to Vcc +0.3	V
VI	Input voltage P22, P23		-0.3 to 5.8	V
VI	Input voltage RESET, XIN		-0.3 to Vcc +0.3	V
VI	Input voltage CNVss		-0.3 to 13	V
VO	Output voltage P00-P07, P10-P17, P20, P21, P24-P27, P30-P34, P40-P44, XOUT		-0.3 to Vcc +0.3	V
VO	Output voltage P22, P23		-0.3 to 5.8	V
Pd	Power dissipation	Ta = 25 °C	300	mW
Topr	Operating temperature		-20 to 85	°C
Tstg	Storage temperature		-40 to 125	°C

**Table 7 Recommended operating conditions (1)**  
(Vcc = 2.7 to 5.5 V, Ta = -20 to 85 °C, unless otherwise noted)

Symbol	Parameter	Limits			Unit
		Min.	Typ.	Max.	
VCC	Power source voltage (At 8 MHz)	4.0	5.0	5.5	V
	Power source voltage (At 4 MHz)	2.7	5.0	5.5	
VSS	Power source voltage		0		V
VREF	A-D convert reference voltage	2.0		Vcc	V
AVSS	Analog power source voltage		0		V
VIA	Analog input voltage AN0-AN4	AVss		Vcc	V
VIH	"H" input voltage P00-P07, P10-P17, P20-P27, P30-P34, P40-P44	0.8Vcc		Vcc	V
VIH	"H" input voltage RESET, XIN, CNVss	0.8Vcc		Vcc	V
VIL	"L" input voltage P00-P07, P10-P17, P20-P27, P30-P34, P40-P44	0		0.2Vcc	V
VIL	"L" input voltage RESET, CNVss	0		0.2Vcc	V
VIL	"L" input voltage XIN	0		0.16Vcc	V
ΣIOH(peak)	"H" total peak output current P00-P07, P10-P17, P30-P34 (Note)			-80	mA
ΣIOH(peak)	"H" total peak output current P20, P21, P24-P27, P40-P44 (Note)			-80	mA
ΣIOL(peak)	"L" total peak output current P00-P07, P10-P12, P30-P34 (Note)			80	mA
ΣIOL(peak)	"L" total peak output current P13-P17 (Note)			80	mA
ΣIOL(peak)	"L" total peak output current P20-P27, P40-P44 (Note)			80	mA
ΣIOH(avg)	"H" total average output current P00-P07, P10-P17, P30-P34 (Note)			-40	mA
ΣIOH(avg)	"H" total average output current P20, P21, P24-P27, P40-P44 (Note)			-40	mA
ΣIOL(avg)	"L" total average output current P00-P07, P10-P12, P30-P34 (Note)			40	mA
ΣIOL(avg)	"L" total average output current P13-P17 (Note)			40	mA
ΣIOL(avg)	"L" total average output current P20-P27, P40-P44 (Note)			40	mA

**Note :** The total output current is the sum of all the currents flowing through all the applicable ports. The total average current is an average value measured over 100 ms. The total peak current is the peak value of all the currents.



**Table 8 Recommended operating conditions (2)**  
**(VCC = 2.7 to 5.5 V, Ta = -20 to 85 °C, unless otherwise noted)**

Symbol	Parameter		Limits			Unit
			Min.	Typ.	Max.	
IOH(peak)	"H" peak output current	P00-P07, P10-P17, P20, P21, P24-P27, P30-P34, P40-P44 (Note 1)			-10	mA
IOL(peak)	"L" peak output current	P00-P07, P10-P12, P20-P27, P30-P34, P40-P44 (Note 1)			10	mA
IOL(peak)	"L" peak output current	P13-P17 (Note 1)			20	mA
IOH(avg)	"H" average output current	P00-P07, P10-P17, P20, P21, P24-P27, P30-P34, P40-P44 (Note 2)			-5	mA
IOL(avg)	"L" average output current	P00-P07, P10-P12, P20-P27, P30-P34, P40-P44 (Note 2)			5	mA
IOL(avg)	"L" peak output current	P13-P17 (Note 2)			15	mA
f(XIN)	Internal clock oscillation frequency (VCC = 4.0 to 5.5V) (Note 3)				8	MHz
f(XIN)	Internal clock oscillation frequency (VCC = 2.7 to 5.5V) (Note 3)				4	kHz

- Notes**
- 1: The peak output current is the peak current flowing in each port.
  - 2: The average output current IOL(avg), IOH(avg) are average value measured over 100 ms.
  - 3: When the oscillation frequency has a duty cycle of 50%.

**Table 9 Electrical characteristics**  
 (VCC = 2.7 to 5.5 V, VSS = 0 V, Ta = -20 to 85 °C, unless otherwise noted)

Symbol	Parameter	Test conditions	Limits			Unit
			Min.	Typ.	Max.	
VOH	"H" output voltage P00-P07, P10-P17, P20, P21, P24-P27, P30-P34, P40-P44 <b>(Note)</b>	IOH = -10 mA VCC = 4.0-5.5 V	VCC-2.0			V
		IOH = -1.0 mA VCC = 2.7-5.5 V	VCC-1.0			V
VOL	"L" output voltage P00-P07, P10-P12, P20-P27 P30-P34, P40-P44	IOI = 10 mA VCC = 4.0-5.5 V			2.0	V
		IOI = 1.0 mA VCC = 2.7-5.5 V			1.0	V
VOL	"L" output voltage P13-P17	IOI = 20 mA VCC = 4.0-5.5 V			2.0	V
		IOI = 10 mA VCC = 2.7-5.5 V			1.0	V
VT+~VT-	Hysteresis CNTR0, CNTR1, INT0~INT3			0.4		V
VT+~VT-	Hysteresis RxD, SCLK			0.5		V
VT+~VT-	Hysteresis RESET			0.5		V
IiH	"H" input current P00-P07, P10-P17, P20, P21, P24-P27, P30-P34, P40-P44	Vi = VCC			5.0	μA
IiH	"H" input current RESET, CNVSS	Vi = VCC			5.0	μA
IiH	"H" input current XIN	Vi = VCC		4		μA
IiL	"L" input current P00-P07, P10-P17, P20-P27 P30-P34, P40-P44	Vi = VSS			-5.0	μA
IiL	"L" input current RESET, CNVSS	Vi = VSS			-5.0	μA
IiL	"L" input current XIN	Vi = VSS		-4		μA
VRAM	RAM hold voltage	When clock stopped	2.0		5.5	V

**Note:** P25 is measured when the P25/TxD P-channel output disable bit of the UART control register (bit 4 of address 001B16) is "0".

Table 10 Electrical characteristics

(VCC = 2.7 to 5.5 V, VSS = 0 V, Ta = -20 to 85 °C, unless otherwise noted)

Symbol	Parameter	Test conditions	Limits			Unit	
			Min.	Typ.	Max.		
ICC	Power source current	High-speed mode f(XIN) = 8 MHz f(XCIN) = 32.768 kHz Output transistors "off"		6.8	13	mA	
		High-speed mode f(XIN) = 8 MHz (in WIT state) f(XCIN) = 32.768 kHz Output transistors "off"		1.6		mA	
		Low-speed mode f(XIN) = stopped f(XCIN) = 32.768 kHz Output transistors "off"		60	200	μA	
		Low-speed mode f(XIN) = stopped f(XCIN) = 32.768 kHz (in WIT state) Output transistors "off"		20	40	μA	
		Low-speed mode (VCC = 3 V) f(XIN) = stopped f(XCIN) = 32.768 kHz Output transistors "off"		20	55	μA	
		Low-speed mode (VCC = 3 V) f(XIN) = stopped f(XCIN) = 32.768 kHz (in WIT state) Output transistors "off"		5.0	10.0	μA	
		Middle-speed mode f(XIN) = 8 MHz f(XCIN) = stopped Output transistors "off"		4.0	7.0	mA	
		Middle-speed mode f(XIN) = 8 MHz (in WIT state) f(XCIN) = stopped Output transistors "off"		1.5		mA	
		Increment when A-D conversion is executed f(XIN) = 8 MHz		800		μA	
		All oscillation stopped (in STP state) Output transistors "off"	Ta = 25 °C		0.1	1.0	μA
			Ta = 85 °C			10	μA

Table 11 A-D converter characteristics

(VCC = 2.7 to 5.5 V, VSS = AVSS = 0 V, Ta = -20 to 85 °C, f(XIN) = 8 MHz, unless otherwise noted)

Symbol	Parameter	Test conditions	Limits			Unit
			Min.	Typ.	Max.	
–	Resolution				10	bit
–	Absolute accuracy (excluding quantization error)				±4	LSB
tCONV	Conversion time				61	tc(φ)
RLADDER	Ladder resistor			35		kΩ
IVREF	Reference power source input current	VREF = 5.0 V	50	150	200	μA
Ii(AD)	A-D port input current			0.5	5.0	μA

## TIMING REQUIREMENTS

Table 12 Timing requirements (1)

(V<sub>CC</sub> = 4.0 to 5.5 V, V<sub>SS</sub> = 0 V, T<sub>a</sub> = -20 to 85 °C, unless otherwise noted)

Symbol	Parameter	Limits			Unit
		Min.	Typ.	Max.	
t <sub>w</sub> ( $\overline{\text{RESET}}$ )	Reset input "L" pulse width	2			μs
t <sub>c</sub> (X <sub>IN</sub> )	External clock input cycle time	125			ns
t <sub>WH</sub> (X <sub>IN</sub> )	External clock input "H" pulse width	50			ns
t <sub>WL</sub> (X <sub>IN</sub> )	External clock input "L" pulse width	50			ns
t <sub>c</sub> (CNTR)	CNTR <sub>0</sub> , CNTR <sub>1</sub> input cycle time	200			ns
t <sub>WH</sub> (CNTR)	CNTR <sub>0</sub> , CNTR <sub>1</sub> , INT <sub>0</sub> -INT <sub>3</sub> input "H" pulse width	80			ns
t <sub>WL</sub> (CNTR)	CNTR <sub>0</sub> , CNTR <sub>1</sub> , INT <sub>0</sub> -INT <sub>3</sub> input "L" pulse width	80			ns
t <sub>c</sub> (SCLK)	Serial I/O clock input cycle time (Note)	800			ns
t <sub>WH</sub> (SCLK)	Serial I/O clock input "H" pulse width (Note)	370			ns
t <sub>WL</sub> (SCLK)	Serial I/O clock input "L" pulse width (Note)	370			ns
t <sub>su</sub> (RxD-SCLK)	Serial I/O input setup time	220			ns
t <sub>h</sub> (SCLK-RxD)	Serial I/O input hold time	100			ns

**Note :** When f(X<sub>IN</sub>) = 8 MHz and bit 6 of address 001A<sub>16</sub> is "1" (clock synchronous).  
Divide this value by four when f(X<sub>IN</sub>) = 8 MHz and bit 6 of address 001A<sub>16</sub> is "0" (UART).

Table 13 Timing requirements (2)

(V<sub>CC</sub> = 2.7 to 4.0 V, V<sub>SS</sub> = 0 V, T<sub>a</sub> = -20 to 85 °C, unless otherwise noted)

Symbol	Parameter	Limits			Unit
		Min.	Typ.	Max.	
t <sub>w</sub> ( $\overline{\text{RESET}}$ )	Reset input "L" pulse width	2			μs
t <sub>c</sub> (X <sub>IN</sub> )	External clock input cycle time	250			ns
t <sub>WH</sub> (X <sub>IN</sub> )	External clock input "H" pulse width	100			ns
t <sub>WL</sub> (X <sub>IN</sub> )	External clock input "L" pulse width	100			ns
t <sub>c</sub> (CNTR)	CNTR <sub>0</sub> , CNTR <sub>1</sub> input cycle time	500			ns
t <sub>WH</sub> (CNTR)	CNTR <sub>0</sub> , CNTR <sub>1</sub> , INT <sub>0</sub> -INT <sub>3</sub> input "H" pulse width	230			ns
t <sub>WL</sub> (CNTR)	CNTR <sub>0</sub> , CNTR <sub>1</sub> , INT <sub>0</sub> -INT <sub>3</sub> input "L" pulse width	230			ns
t <sub>c</sub> (SCLK)	Serial I/O clock input cycle time (Note)	2000			ns
t <sub>WH</sub> (SCLK)	Serial I/O clock input "H" pulse width (Note)	950			ns
t <sub>WL</sub> (SCLK)	Serial I/O clock input "L" pulse width (Note)	950			ns
t <sub>su</sub> (RxD-SCLK)	Serial I/O input setup time	400			ns
t <sub>h</sub> (SCLK-RxD)	Serial I/O input hold time	200			ns

**Note :** When f(X<sub>IN</sub>) = 8 MHz and bit 6 of address 001A<sub>16</sub> is "1" (clock synchronous).  
Divide this value by four when f(X<sub>IN</sub>) = 8 MHz and bit 6 of address 001A<sub>16</sub> is "0" (UART).

Table 14 Switching characteristics 1

(V<sub>CC</sub> = 4.0 to 5.5 V, V<sub>SS</sub> = 0 V, T<sub>a</sub> = -20 to 85 °C, unless otherwise noted)

Symbol	Parameter	Limits			Unit
		Min.	Typ.	Max.	
t <sub>WH</sub> (SCLK)	Serial I/O clock output "H" pulse width	tc(SCLK)/2-30			ns
t <sub>WL</sub> (SCLK)	Serial I/O clock output "L" pulse width	tc(SCLK)/2-30			ns
t <sub>d</sub> (SCLK-TxD)	Serial I/O output delay time (Note 1)			140	ns
t <sub>v</sub> (SCLK-TxD)	Serial I/O output valid time (Note 1)	-30			ns
t <sub>r</sub> (SCLK)	Serial I/O clock output rising time			30	ns
t <sub>f</sub> (SCLK)	Serial I/O clock output falling time			30	ns
t <sub>r</sub> (CMOS)	CMOS output rising time (Note 2)		10	30	ns
t <sub>f</sub> (CMOS)	CMOS output falling time (Note 2)		10	30	ns

**Notes** 1: For t<sub>WH</sub>(SCLK), t<sub>WL</sub>(SCLK), when the P51/TxD P-channel output disable bit of the UART control register (bit 4 of address 001B16) is "0".  
 2: The XOUT pin is excluded.

Table 15 Switching characteristics 2

(V<sub>CC</sub> = 2.7 to 4.0 V, V<sub>SS</sub> = 0 V, T<sub>a</sub> = -20 to 85 °C, unless otherwise noted)

Symbol	Parameter	Limits			Unit
		Min.	Typ.	Max.	
t <sub>WH</sub> (SCLK)	Serial I/O clock output "H" pulse width	tc(SCLK)/2-50			ns
t <sub>WL</sub> (SCLK)	Serial I/O clock output "L" pulse width	tc(SCLK)/2-50			ns
t <sub>d</sub> (SCLK-TxD)	Serial I/O output delay time (Note 1)			350	ns
t <sub>v</sub> (SCLK-TxD)	Serial I/O output valid time (Note 1)	-30			ns
t <sub>r</sub> (SCLK)	Serial I/O clock output rising time			50	ns
t <sub>f</sub> (SCLK)	Serial I/O clock output falling time			50	ns
t <sub>r</sub> (CMOS)	CMOS output rising time (Note 2)		20	50	ns
t <sub>f</sub> (CMOS)	CMOS output falling time (Note 2)		20	50	ns

**Notes** 1: For t<sub>WH</sub>(SCLK), t<sub>WL</sub>(SCLK), when the P51/TxD P-channel output disable bit of the UART control register (bit 4 of address 001B16) is "0".  
 2: The XOUT pin is excluded.

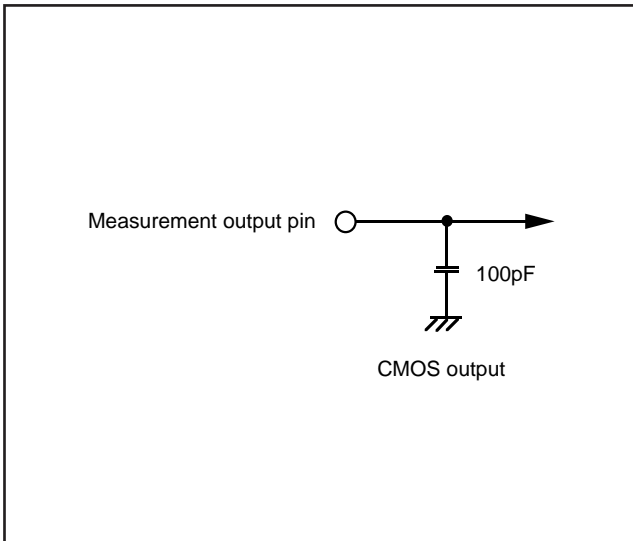


Fig. 38 Circuit for measuring output switching characteristics (1)

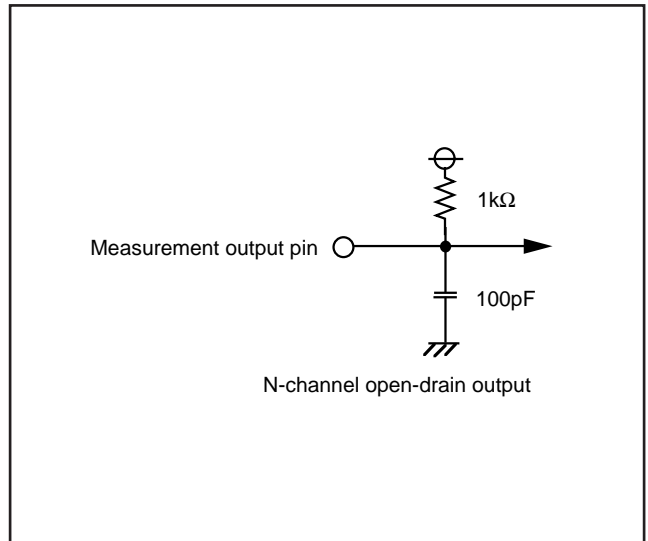


Fig. 39 Circuit for measuring output switching characteristics (2)

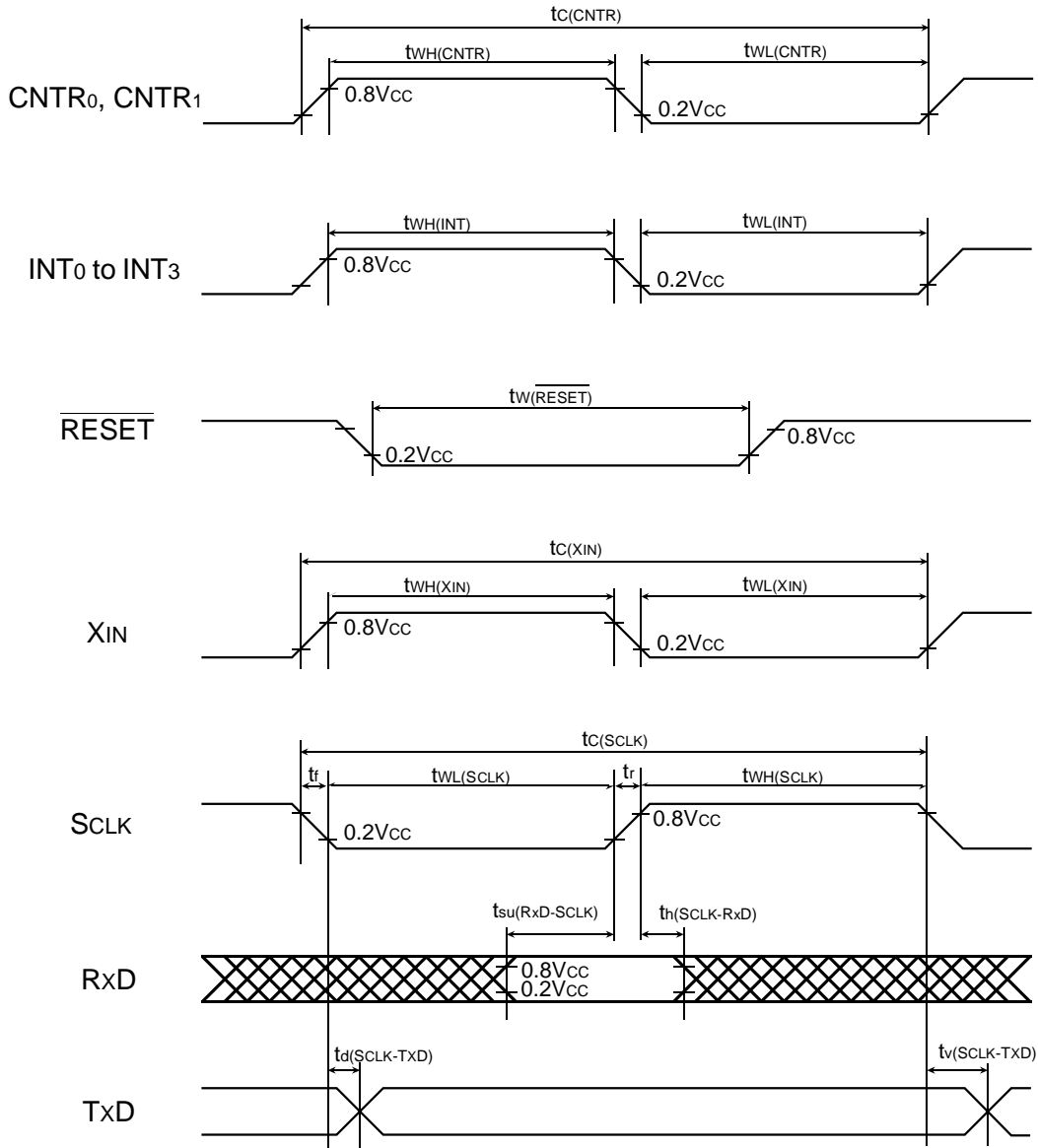


Fig. 40 Timing diagram



**MASK ROM CONFIRMATION FORM**

GZZ-SH53-11B<86A0>

Mask ROM number	
-----------------	--

**740 FAMILY MASK ROM CONFIRMATION FORM  
SINGLE-CHIP MICROCOMPUTER M38503M2-XXXSP/FP  
MITSUBISHI ELECTRIC**

Receipt	Date:	
	Section head signature	Supervisor signature

Note : Please fill in all items marked \*.

* Customer	Company name	TEL ( )	Issuance signature	Submitted by	Supervisor
	Date issued	Date:			

\* 1. Confirmation

Specify the name of the product being ordered and the type of EPROMs submitted.

Three EPROMs are required for each pattern.

If at least two of the three sets of EPROMs submitted contain identical data, we will produce masks based on this data. We shall assume the responsibility for errors only if the mask ROM data on the products we produce differs from this data. Thus, extreme care must be taken to verify the data in the submitted EPROMs.

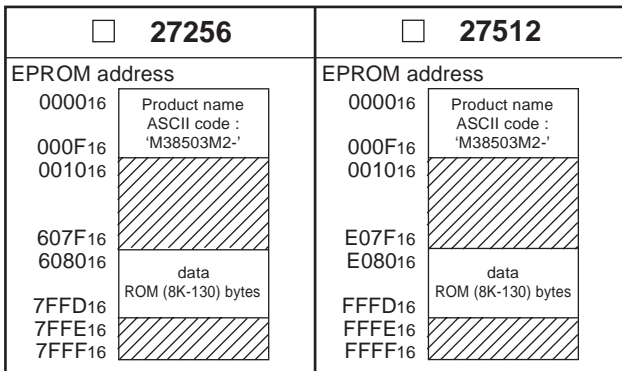
Microcomputer name:     M38503M2-XXXSP     M38503M2-XXXFP

Checksum code for entire EPROM 

--	--	--	--

 (hexadecimal notation)

EPROM type (indicate the type used)



In the address space of the microcomputer, the internal ROM area is from address 6080<sub>16</sub> to FFFD<sub>16</sub>. The reset vector is stored in addresses FFFC<sub>16</sub> and FFFD<sub>16</sub>.

- (1) Set the data in the unused area (the shaded area of the diagram) to "FF<sub>16</sub>".
- (2) The ASCII codes of the product name "M38503M2-" must be entered in addresses 0000<sub>16</sub> to 0008<sub>16</sub>. And set the data "FF<sub>16</sub>" in addresses 0009<sub>16</sub> to 000F<sub>16</sub>. The ASCII codes and addresses are listed to the right in hexadecimal notation.

Address	<table border="1" style="width: 100%; border-collapse: collapse;"> <tr><td style="width: 20px;">0000<sub>16</sub></td><td>'M' = 4D<sub>16</sub></td></tr> <tr><td>0001<sub>16</sub></td><td>'3' = 33<sub>16</sub></td></tr> <tr><td>0002<sub>16</sub></td><td>'8' = 38<sub>16</sub></td></tr> <tr><td>0003<sub>16</sub></td><td>'5' = 35<sub>16</sub></td></tr> <tr><td>0004<sub>16</sub></td><td>'0' = 30<sub>16</sub></td></tr> <tr><td>0005<sub>16</sub></td><td>'3' = 33<sub>16</sub></td></tr> <tr><td>0006<sub>16</sub></td><td>'M' = 4D<sub>16</sub></td></tr> <tr><td>0007<sub>16</sub></td><td>'2' = 32<sub>16</sub></td></tr> </table>	0000 <sub>16</sub>	'M' = 4D <sub>16</sub>	0001 <sub>16</sub>	'3' = 33 <sub>16</sub>	0002 <sub>16</sub>	'8' = 38 <sub>16</sub>	0003 <sub>16</sub>	'5' = 35 <sub>16</sub>	0004 <sub>16</sub>	'0' = 30 <sub>16</sub>	0005 <sub>16</sub>	'3' = 33 <sub>16</sub>	0006 <sub>16</sub>	'M' = 4D <sub>16</sub>	0007 <sub>16</sub>	'2' = 32 <sub>16</sub>	<table border="1" style="width: 100%; border-collapse: collapse;"> <tr><td style="width: 20px;">0008<sub>16</sub></td><td>'_' = 2D<sub>16</sub></td></tr> <tr><td>0009<sub>16</sub></td><td>FF<sub>16</sub></td></tr> <tr><td>000A<sub>16</sub></td><td>FF<sub>16</sub></td></tr> <tr><td>000B<sub>16</sub></td><td>FF<sub>16</sub></td></tr> <tr><td>000C<sub>16</sub></td><td>FF<sub>16</sub></td></tr> <tr><td>000D<sub>16</sub></td><td>FF<sub>16</sub></td></tr> <tr><td>000E<sub>16</sub></td><td>FF<sub>16</sub></td></tr> <tr><td>000F<sub>16</sub></td><td>FF<sub>16</sub></td></tr> </table>	0008 <sub>16</sub>	'_' = 2D <sub>16</sub>	0009 <sub>16</sub>	FF <sub>16</sub>	000A <sub>16</sub>	FF <sub>16</sub>	000B <sub>16</sub>	FF <sub>16</sub>	000C <sub>16</sub>	FF <sub>16</sub>	000D <sub>16</sub>	FF <sub>16</sub>	000E <sub>16</sub>	FF <sub>16</sub>	000F <sub>16</sub>	FF <sub>16</sub>
0000 <sub>16</sub>	'M' = 4D <sub>16</sub>																																	
0001 <sub>16</sub>	'3' = 33 <sub>16</sub>																																	
0002 <sub>16</sub>	'8' = 38 <sub>16</sub>																																	
0003 <sub>16</sub>	'5' = 35 <sub>16</sub>																																	
0004 <sub>16</sub>	'0' = 30 <sub>16</sub>																																	
0005 <sub>16</sub>	'3' = 33 <sub>16</sub>																																	
0006 <sub>16</sub>	'M' = 4D <sub>16</sub>																																	
0007 <sub>16</sub>	'2' = 32 <sub>16</sub>																																	
0008 <sub>16</sub>	'_' = 2D <sub>16</sub>																																	
0009 <sub>16</sub>	FF <sub>16</sub>																																	
000A <sub>16</sub>	FF <sub>16</sub>																																	
000B <sub>16</sub>	FF <sub>16</sub>																																	
000C <sub>16</sub>	FF <sub>16</sub>																																	
000D <sub>16</sub>	FF <sub>16</sub>																																	
000E <sub>16</sub>	FF <sub>16</sub>																																	
000F <sub>16</sub>	FF <sub>16</sub>																																	

GZZ-SH53-11B<86A0>

Mask ROM number	
-----------------	--

**740 FAMILY MASK ROM CONFIRMATION FORM**  
**SINGLE-CHIP MICROCOMPUTER M38503M2-XXXSP/FP**  
**MITSUBISHI ELECTRIC**

We recommend the use of the following pseudo-command to set the start address of the assembler source program because ASCII codes of the product name are written to addresses 0000<sub>16</sub> to 0008<sub>16</sub> of EPROM.

EPROM type	27256	27512
The pseudo-command	$\ast = \triangle \$8000$ .BYTE $\triangle$ 'M38503M2-'	$\ast = \triangle \$0000$ .BYTE $\triangle$ 'M38503M2-'

Note : If the name of the product written to the EPROMs does not match the name of the mask confirmation form, the ROM will not be processed.

※ 2. Mark specification

Mark specification must be submitted using the correct form for the package being ordered. Fill out the appropriate mark specification form (42P4B for M38503M2-XXXSP, 42P2R-A for M38503M2-XXXFP) and attach it to the mask ROM confirmation form.

※ 3. Usage conditions

Please answer the following questions about usage for use in our product inspection :

(1) How will you use the XIN-XOUT oscillator?

- Ceramic resonator                       Quartz crystal  
 External clock input                       Other (                      )

At what frequency?                       $f(XIN) =$   MHz

(2) Which function will you use the pins P21/XCIN and P20/XCOUT as P21 and P20, or XCIN and XCOUT ?

- Ports P21 and P20 function                       XCIN and XCOUT function (external resonator)

※ 4. Comments

**MASK ROM CONFIRMATION FORM**

GZZ-SH11-40A<6YA0>

Mask ROM number	
-----------------	--

**740 FAMILY MASK ROM CONFIRMATION FORM  
SINGLE-CHIP MICROCOMPUTER M38503M4-XXXSP/FP  
MITSUBISHI ELECTRIC**

Receipt	Date:	
	Section head signature	Supervisor signature

Note : Please fill in all items marked \*.

* Customer	Company name	TEL ( )	Issuance signature	Submitted by	Supervisor
	Date issued	Date:			

\* 1. Confirmation

Specify the name of the product being ordered and the type of EPROMs submitted.

Three EPROMs are required for each pattern.

If at least two of the three sets of EPROMs submitted contain identical data, we will produce masks based on this data.

We shall assume the responsibility for errors only if the mask ROM data on the products we produce differs from this data. Thus, extreme care must be taken to verify the data in the submitted EPROMs.

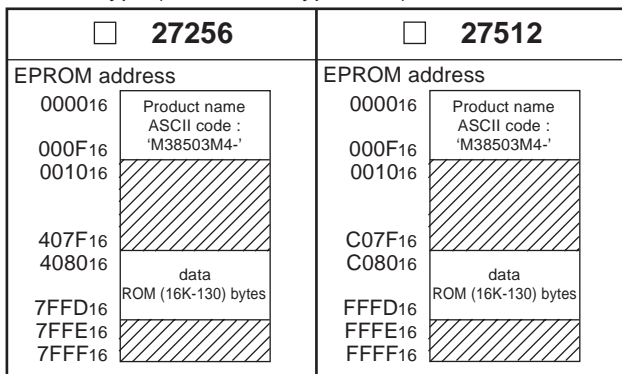
Microcomputer name:     M38503M4-XXXSP     M38503M4-XXXFP

Checksum code for entire EPROM 

--	--	--	--

 (hexadecimal notation)

EPROM type (indicate the type used)



In the address space of the microcomputer, the internal ROM area is from address C080<sub>16</sub> to FFFD<sub>16</sub>. The reset vector is stored in addresses FFFC<sub>16</sub> and FFFD<sub>16</sub>.

- (1) Set the data in the unused area (the shaded area of the diagram) to "FF<sub>16</sub>".
- (2) The ASCII codes of the product name "M38503M4-" must be entered in addresses 0000<sub>16</sub> to 0008<sub>16</sub>. And set the data "FF<sub>16</sub>" in addresses 0009<sub>16</sub> to 000F<sub>16</sub>. The ASCII codes and addresses are listed to the right in hexadecimal notation.

Address	'M' = 4D <sub>16</sub>	Address	'-' = 2D <sub>16</sub>
0000 <sub>16</sub>	'3' = 33 <sub>16</sub>	0008 <sub>16</sub>	FF <sub>16</sub>
0001 <sub>16</sub>	'8' = 38 <sub>16</sub>	0009 <sub>16</sub>	FF <sub>16</sub>
0002 <sub>16</sub>	'5' = 35 <sub>16</sub>	000A <sub>16</sub>	FF <sub>16</sub>
0003 <sub>16</sub>	'0' = 30 <sub>16</sub>	000B <sub>16</sub>	FF <sub>16</sub>
0004 <sub>16</sub>	'3' = 33 <sub>16</sub>	000C <sub>16</sub>	FF <sub>16</sub>
0005 <sub>16</sub>	'M' = 4D <sub>16</sub>	000D <sub>16</sub>	FF <sub>16</sub>
0006 <sub>16</sub>	'4' = 34 <sub>16</sub>	000E <sub>16</sub>	FF <sub>16</sub>
0007 <sub>16</sub>		000F <sub>16</sub>	FF <sub>16</sub>

GZZ-SH11-40A<6YA0>

Mask ROM number	
-----------------	--

**740 FAMILY MASK ROM CONFIRMATION FORM  
SINGLE-CHIP MICROCOMPUTER M38503M4-XXXSP/FP  
MITSUBISHI ELECTRIC**

We recommend the use of the following pseudo-command to set the start address of the assembler source program because ASCII codes of the product name are written to addresses 0000<sub>16</sub> to 0008<sub>16</sub> of EPROM.

EPROM type	27256	27512
The pseudo-command	*=△\$8000 .BYTE △'M38503M4-'	*=△\$0000 .BYTE △'M38503M4-'

Note : If the name of the product written to the EPROMs does not match the name of the mask confirmation form, the ROM will not be processed.

※ 2. Mark specification

Mark specification must be submitted using the correct form for the package being ordered. Fill out the appropriate mark specification form (42P4B for M38503M4-XXXSP, 42P2R-A for M38503M4-XXXFP) and attach it to the mask ROM confirmation form.

※ 3. Usage conditions

Please answer the following questions about usage for use in our product inspection :

(1) How will you use the XIN-XOUT oscillator?

- Ceramic resonator       Quartz crystal  
 External clock input       Other (          )

At what frequency?      f(XIN) =  MHz

(2) Which function will you use the pins P21/XCIN and P20/XCOUT as P21 and P20, or XCIN and XCOUT ?

- Ports P21 and P20 function       XCIN and XCOUT function (external resonator)

※ 4. Comments

ROM PROGRAMMING CONFIRMATION FORM

GZZ-SH11-41A<6YA0>

ROM number	
------------	--

740 FAMILY ROM PROGRAMMING CONFIRMATION FORM  
SINGLE-CHIP MICROCOMPUTER M38503E4-XXXSP/FP  
MITSUBISHI ELECTRIC

Receipt	Date:	
	Section head signature	Supervisor signature

Note : Please fill in all items marked \*.

* Customer	Company name	TEL ( )	Issuance signature	Submitted by	Supervisor
	Date issued	Date:			

\* 1. Confirmation

Specify the name of the product being ordered and the type of EPROMs submitted.  
Three EPROMs are required for each pattern.

If at least two of the three sets of EPROMs submitted contain identical data, we will produce ROM programming based on this data. We shall assume the responsibility for errors only if the programming data on the products we produce differs from this data. Thus, extreme care must be taken to verify the data in the submitted EPROMs.

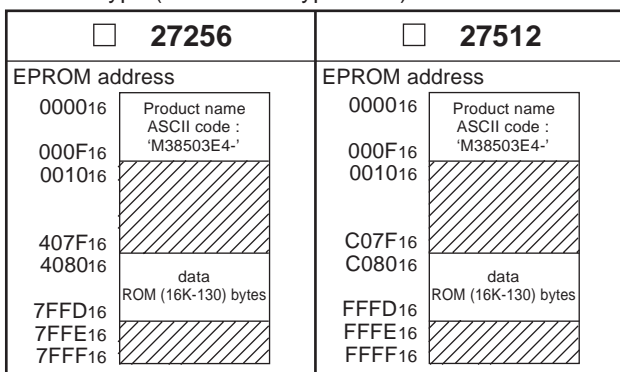
Microcomputer name:  M38503E4-XXXSP       M38503E4-XXXFP

Checksum code for entire EPROM 

--	--	--	--

 (hexadecimal notation)

EPROM type (indicate the type used)



In the address space of the microcomputer, the internal ROM area is from address C080<sub>16</sub> to FFFD<sub>16</sub>. The reset vector is stored in addresses FFFC<sub>16</sub> and FFFD<sub>16</sub>.

- (1) Set the data in the unused area (the shaded area of the diagram) to "FF<sub>16</sub>".
- (2) The ASCII codes of the product name "M38503E4-" must be entered in addresses 0000<sub>16</sub> to 0008<sub>16</sub>. And set the data "FF<sub>16</sub>" in addresses 0009<sub>16</sub> to 000F<sub>16</sub>. The ASCII codes and addresses are listed to the right in hexadecimal notation.

Address	Address	Address
0000 <sub>16</sub>	'M' = 4D <sub>16</sub>	0008 <sub>16</sub>
0001 <sub>16</sub>	'3' = 33 <sub>16</sub>	'-' = 2D <sub>16</sub>
0002 <sub>16</sub>	'8' = 38 <sub>16</sub>	0009 <sub>16</sub>
0003 <sub>16</sub>	'5' = 35 <sub>16</sub>	FF <sub>16</sub>
0004 <sub>16</sub>	'0' = 30 <sub>16</sub>	000A <sub>16</sub>
0005 <sub>16</sub>	'3' = 33 <sub>16</sub>	FF <sub>16</sub>
0006 <sub>16</sub>	'E' = 45 <sub>16</sub>	000B <sub>16</sub>
0007 <sub>16</sub>	'4' = 34 <sub>16</sub>	FF <sub>16</sub>
		000C <sub>16</sub>
		FF <sub>16</sub>
		000D <sub>16</sub>
		FF <sub>16</sub>
		000E <sub>16</sub>
		FF <sub>16</sub>
		000F <sub>16</sub>
		FF <sub>16</sub>

GZZ-SH11-41A<6YA0>

ROM number	
------------	--

**740 FAMILY ROM PROGRAMMING CONFIRMATION FORM  
SINGLE-CHIP MICROCOMPUTER M38503E4-XXXSP/FP  
MITSUBISHI ELECTRIC**

We recommend the use of the following pseudo-command to set the start address of the assembler source program because ASCII codes of the product name are written to addresses 0000<sub>16</sub> to 0008<sub>16</sub> of EPROM.

EPROM type	27256	27512
The pseudo-command	*= $\Delta$ \$8000 .BYTE $\Delta$ 'M38503E4-'	*= $\Delta$ \$0000 .BYTE $\Delta$ 'M38503E4-'

Note : If the name of the product written to the EPROMs does not match the name of the ROM programming confirmation form, the ROM will not be processed.

※ 2. Mark specification

Mark specification must be submitted using the correct form for the package being ordered. Fill out the appropriate mark specification form; 42P2R-A for the M38503E4-XXXFP, the shrink DIP package Mark Specification Form (only for built-in One Time PROM microcomputer) for the M38503E4-XXXSP; and attach it to the ROM programming confirmation form.

※ 3. Usage conditions

Please answer the following questions about usage for use in our product inspection :

(1) How will you use the XIN-XOUT oscillator?

- Ceramic resonator                       Quartz crystal  
 External clock input                       Other (                      )

At what frequency?                      f(XIN) =  MHz

(2) Which function will you use the pins P21/XCIN and P20/XCOUT as P21 and P20, or XCIN and XCOUT ?

- Ports P21 and P20 function                       XCIN and XCOUT function (external resonator)

※ 4. Comments

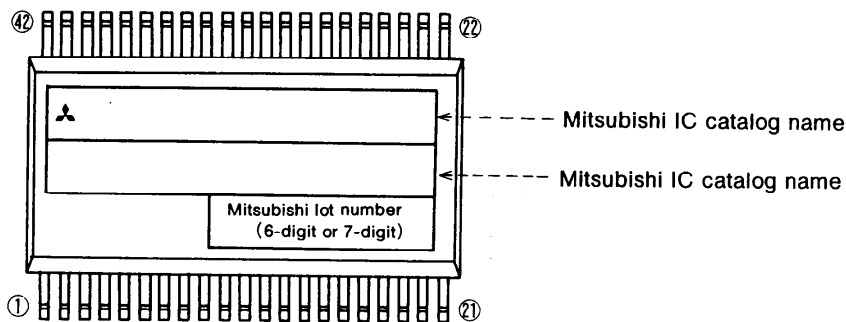
MARK SPECIFICATION FORM

42P2R-A (42-PIN SHRINK SOP) MARK SPECIFICATION FORM

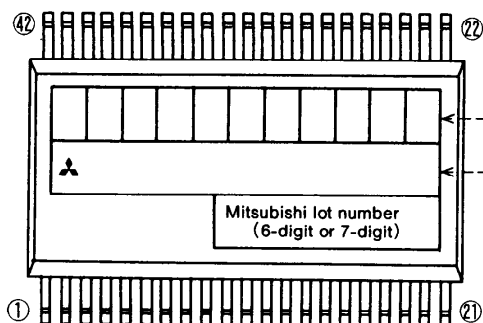
Mitsubishi IC catalog name

Please choose one of the marking types below (A, B, C), and enter the Mitsubishi catalog name and the special mark (if needed).

A. Standard Mitsubishi Mark



B. Customer's Parts Number + Mitsubishi catalog name



Customer's Parts Number  
 Note: The fonts and size of characters are standard Mitsubishi type.

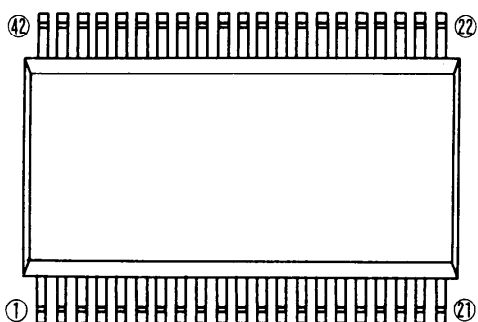
Mitsubishi IC catalog name  
 Note1: The mark field should be written right aligned.  
 2: The fonts and size of characters are standard Mitsubishi type.

3: Customer's Parts Number can be up to 11 characters: Only 0~9, A~Z, +, -, /, (, ), &, ©, · (periods), , (commas) are usable.

4: If the Mitsubishi logo is not required, check the box below.

Mitsubishi logo is not required

C. Special Mark Required



Note1: If the Special Mark is to be printed, indicate the desired layout of the mark in the left figure. The layout will be duplicated as close as possible. Mitsubishi lot number (6-digit or 7-digit) and Mask ROM number (3-digit) are always marked.

2: If the customer's trade mark logo must be used in the Special Mark, check the box below. Please submit a clean original of the logo. For the new special character fonts a clean font original (ideally logo drawing) must be submitted.

Special logo required

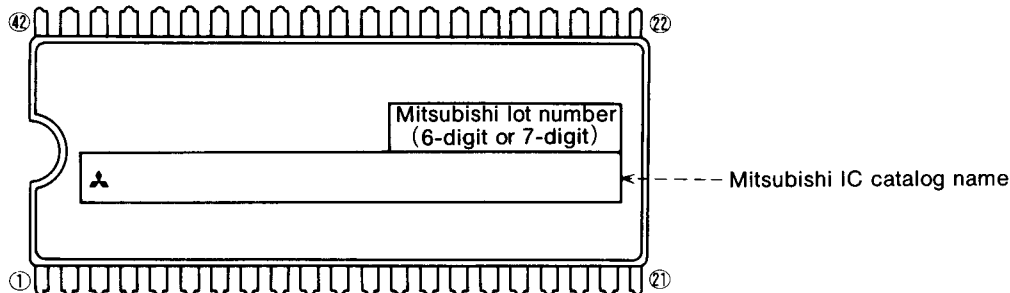
3: The standard Mitsubishi font is used for all characters except for a logo.

**42P4B (42-PIN SHRINK DIP) MARK SPECIFICATION FORM**

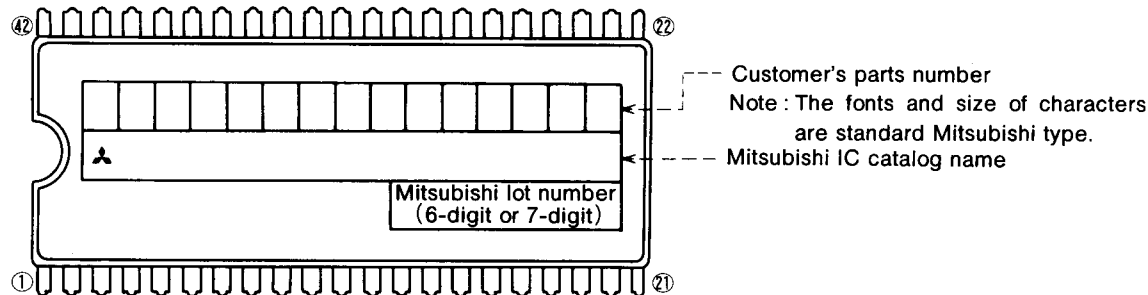
Mitsubishi IC catalog name

Please choose one of the marking types below (A, B, C), and enter the Mitsubishi IC catalog name and the special mark (if needed).

**A. Standard Mitsubishi Mark**



**B. Customer's Parts Number + Mitsubishi Catalog Name**



Note1: The mark field should be written right aligned.

2: The fonts and size of characters are standard Mitsubishi type.

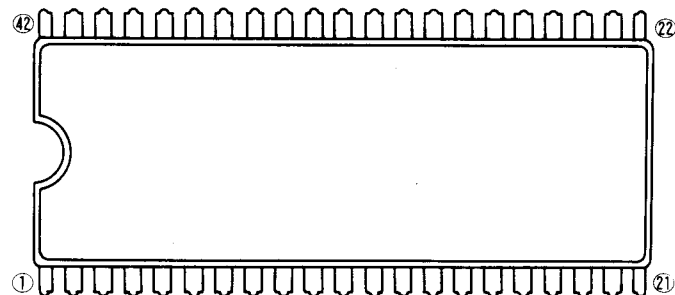
3: Customer's parts number can be up to 15 characters:

Only 0~9, A~Z, +, -, /, (, ), &, ©, . (period), and , (comma) are usable.

4: If the Mitsubishi logo is not required, check the box on the right.

Mitsubishi logo is not required

**C. Special Mark Required**



Note1: If the special mark is to be printed, indicate the desired layout of the mark in the upper figure. The layout will be duplicated as close as possible. Mitsubishi lot number (6-digit or 7-digit) and mask ROM number (3-digit) are always marked.

2: If the customer's trade mark logo must be used in the special mark, check the box below. Please submit a clean original of the logo.

For the new special character fonts a clean font original (ideally logo drawing) must be submitted.

Special logo required

The standard Mitsubishi font is used for all characters except for a logo.



**SHRINK DIP MARK SPECIFICATION FORM  
for One Time PROM version microcomputers**

Enter the catalog number of the microcomputer for which this mark specification is intended. (If you do not know the ROM code number, enter XXX in its place.)

The catalog number of the microcomputer

<b>M</b>
----------

**A. Standard Mitsubishi Mark**

Customer specified part number will be printed together with the ROM code number on the top line.

Enter the desired part number left aligned in the box below. (up to 10 characters)

	<table border="1" style="width: 100%; border-collapse: collapse;"> <tr> <td style="width: 85%; height: 15px;"></td> <td style="width: 15%; text-align: center;"><b>RXXX</b></td> </tr> <tr> <td style="height: 20px; vertical-align: top;"> <table border="1" style="width: 100%; border-collapse: collapse;"> <tr> <td style="width: 10px; text-align: center;">▲</td> <td>Mitsubishi catalog name (blank model number before writing)</td> </tr> <tr> <td style="width: 70%;"></td> <td style="text-align: center;">Mitsubishi lot number (6-digit or 7-digit)</td> </tr> </table> </td> <td style="width: 10%;"></td> </tr> </table>		<b>RXXX</b>	<table border="1" style="width: 100%; border-collapse: collapse;"> <tr> <td style="width: 10px; text-align: center;">▲</td> <td>Mitsubishi catalog name (blank model number before writing)</td> </tr> <tr> <td style="width: 70%;"></td> <td style="text-align: center;">Mitsubishi lot number (6-digit or 7-digit)</td> </tr> </table>	▲	Mitsubishi catalog name (blank model number before writing)		Mitsubishi lot number (6-digit or 7-digit)		Note2 :
	<b>RXXX</b>									
<table border="1" style="width: 100%; border-collapse: collapse;"> <tr> <td style="width: 10px; text-align: center;">▲</td> <td>Mitsubishi catalog name (blank model number before writing)</td> </tr> <tr> <td style="width: 70%;"></td> <td style="text-align: center;">Mitsubishi lot number (6-digit or 7-digit)</td> </tr> </table>	▲	Mitsubishi catalog name (blank model number before writing)		Mitsubishi lot number (6-digit or 7-digit)						
▲	Mitsubishi catalog name (blank model number before writing)									
	Mitsubishi lot number (6-digit or 7-digit)									

Note1 : The following characters can be used in the part number :

Uppercase alphabet, numbers, ampersand, hyphen, period, comma, +, /, (, ), ©  
(© will be printed at 1.5 x character width)

2 : XXX is the ROM code number.

**B. Special Mark Required**

If you desire anything other than the standard Mitsubishi mark, it will be treated as a special mark.

Special marks will take longer to produce and should be avoided if possible.

If a special mark is to be printed, indicate the desired layout of the mark in the figure below. The layout will be duplicated as closely as possible.

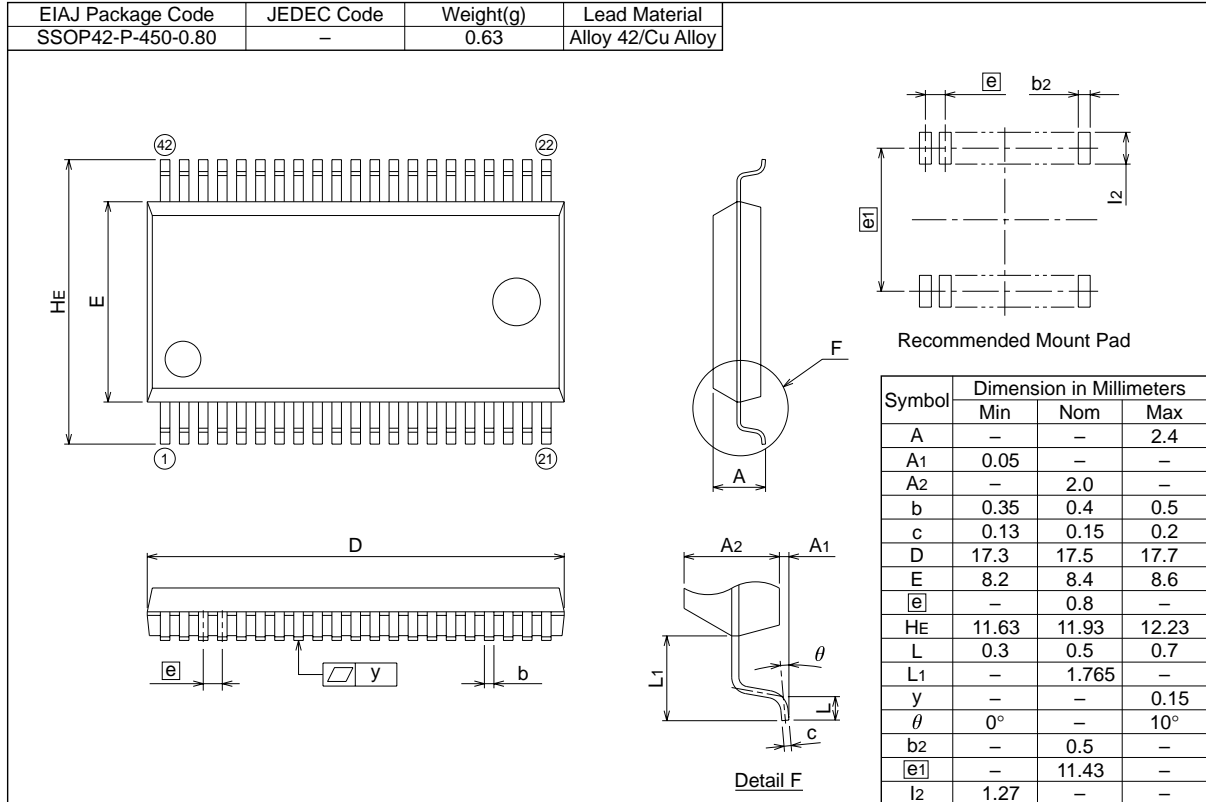
Note1 : If the customer's trademark logo must be used in the Special Mark, please submit a clean original logo.

Note that special marks require extra cost and time to produce.

PACKAGE OUTLINE

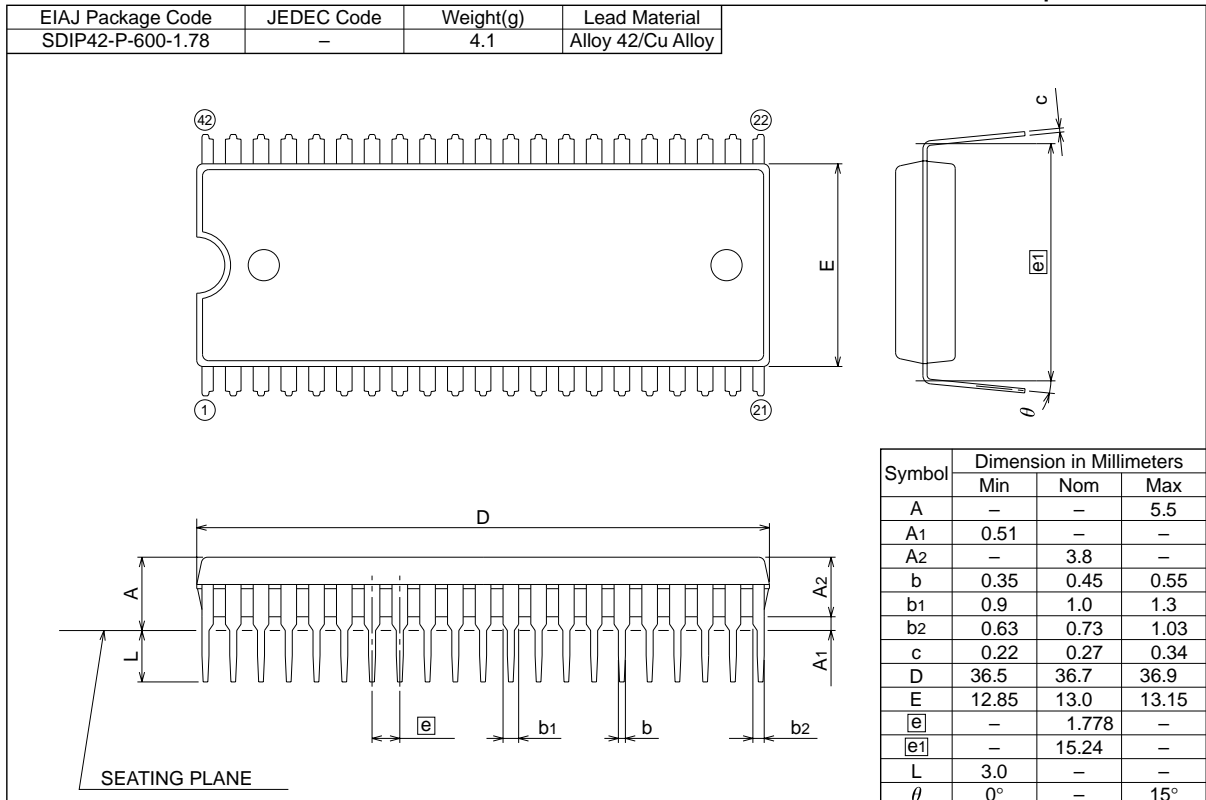
42P2R-A

Plastic 42pin 450mil SSOP



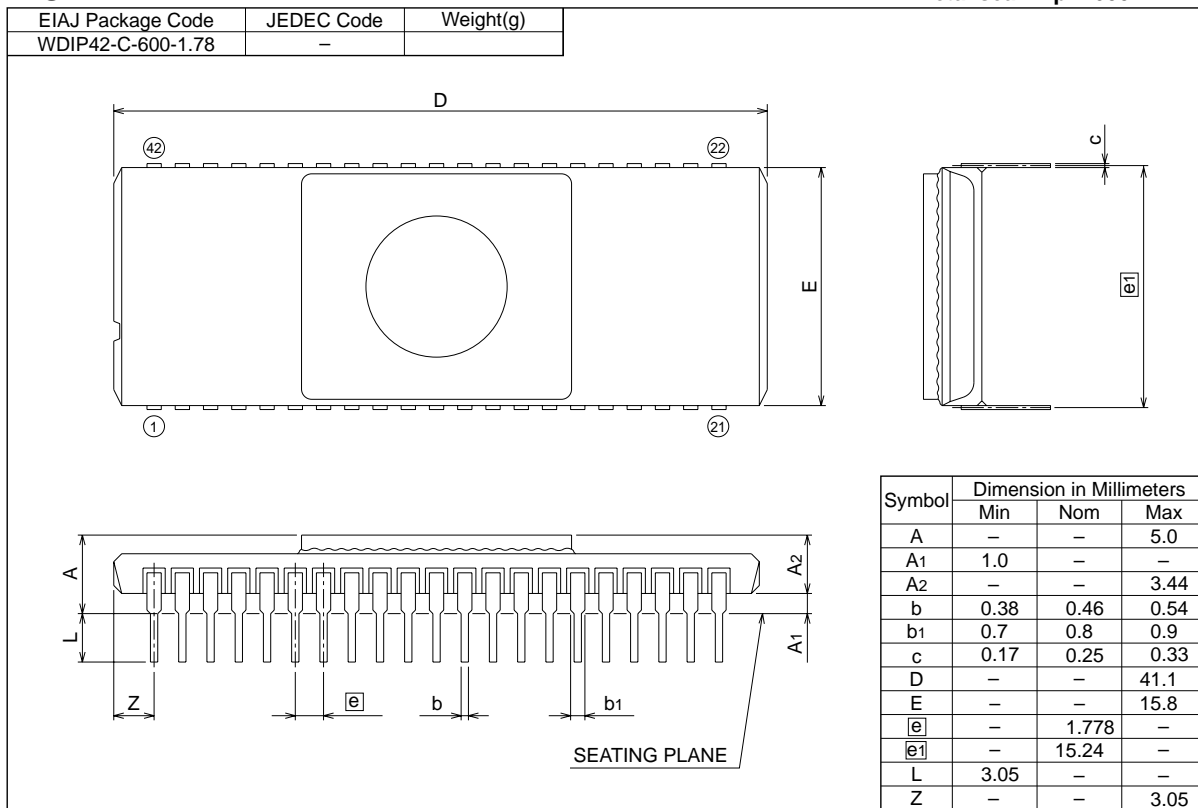
42P4B

Plastic 42pin 600mil SDIP



42S1B-A

Metal seal 42pin 600mil DIP



Keep safety first in your circuit designs!

- Mitsubishi Electric Corporation puts the maximum effort into making semiconductor products better and more reliable, but there is always the possibility that trouble may occur with them. Trouble with semiconductors may lead to personal injury, fire or property damage. Remember to give due consideration to safety when making your circuit designs, with appropriate measures such as (i) placement of substitutive, auxiliary circuits, (ii) use of non-flammable material or (iii) prevention against any malfunction or mishap.

Notes regarding these materials

- These materials are intended as a reference to assist our customers in the selection of the Mitsubishi semiconductor product best suited to the customer's application; they do not convey any license under any intellectual property rights, or any other rights, belonging to Mitsubishi Electric Corporation or a third party.
- Mitsubishi Electric Corporation assumes no responsibility for any damage, or infringement of any third-party's rights, originating in the use of any product data, diagrams, charts or circuit application examples contained in these materials.
- All information contained in these materials, including product data, diagrams and charts, represent information on products at the time of publication of these materials, and are subject to change by Mitsubishi Electric Corporation without notice due to product improvements or other reasons. It is therefore recommended that customers contact Mitsubishi Electric Corporation or an authorized Mitsubishi Semiconductor product distributor for the latest product information before purchasing a product listed herein.
- Mitsubishi Electric Corporation semiconductors are not designed or manufactured for use in a device or system that is used under circumstances in which human life is potentially at stake. Please contact Mitsubishi Electric Corporation or an authorized Mitsubishi Semiconductor product distributor when considering the use of a product contained herein for any specific purposes, such as apparatus or systems for transportation, vehicular, medical, aerospace, nuclear, or undersea repeater use.
- The prior written approval of Mitsubishi Electric Corporation is necessary to reprint or reproduce in whole or in part these materials.
- If these products or technologies are subject to the Japanese export control restrictions, they must be exported under a license from the Japanese government and cannot be imported into a country other than the approved destination.  
Any diversion or reexport contrary to the export control laws and regulations of Japan and/or the country of destination is prohibited.
- Please contact Mitsubishi Electric Corporation or an authorized Mitsubishi Semiconductor product distributor for further details on these materials or the products contained therein.

REVISION DESCRIPTION LIST

3850 GROUP DATA SHEET

Rev. No.	Revision Description	Rev. date
1.0	First Edition	980817