

SHARP LR38840

NEW PRODUCT INFORMATION

Multicolorizing add-on LCD controller for color STN-LCDs
(for enhancing display capability to 65 536 colors)

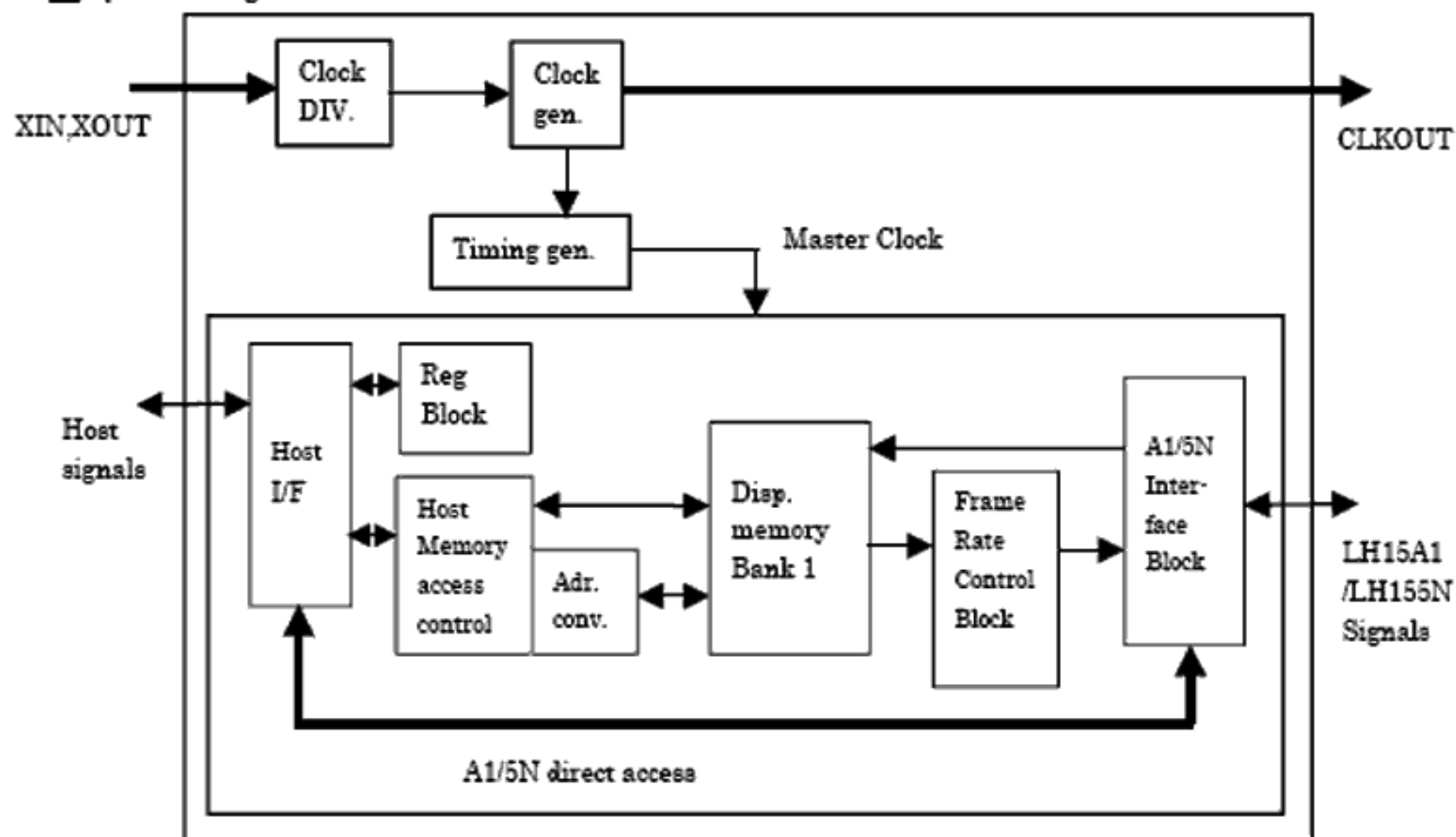
■ Outline

LR38840 is a graphic controller that operates as a front-end unit of LH15A1 or LH155N, LCD drivers with built-in RAMs.

■ Main specifications

- Compatible LCD panels
 - Sharp's color STN-LCD modules
 - Recommended module: LM019LC1Sxx
- Compatible LCD drivers
 - Can control up to two LH15A1 or LH155N LCD drivers
- Display colors
 - Capable of enhancing display capability to 65 536 colors thanks to the 4-scan frame-skipping method
- Display memory
 - Built-in display memory of 20 992 words (16 bit/word)
 - Compatible with panels up to 128 (pixels) x 164 (lines)
- CPU interface
 - 8 bit/16 bit asynchronous host interface
 - Compatible with 68-family/80-family hosts
- Supply voltage: 2.5 V
- Power consumption: 7 mW (when operating)
(When connected to 8-bit bus at 5.4 MHz)
- Package
 - 81FBGA(T-TFPGA081-0808)

■ System configuration



In the absence of confirmation by device specification sheets, SHARP takes no responsibility for any defects that may occur in using any SHARP devices shown in catalogs, data books, etc. Contact SHARP in order to obtain the latest device specification sheets before using any SHARP device. Specifications are subject to change without notice for improvement. As of April, 2001.

IC-040