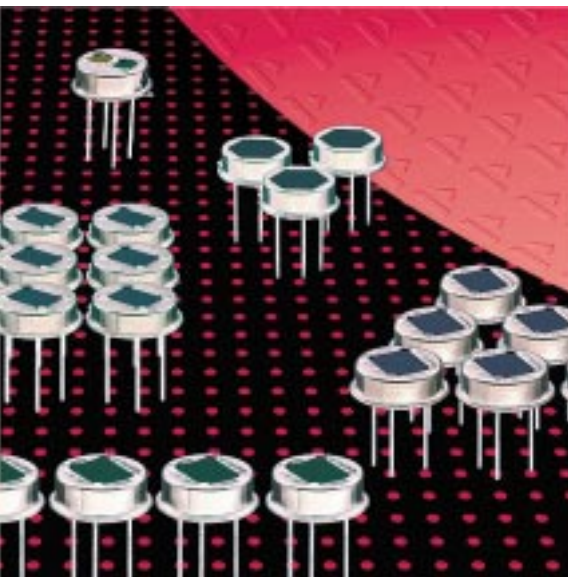


Dual Element Detector LHi 968



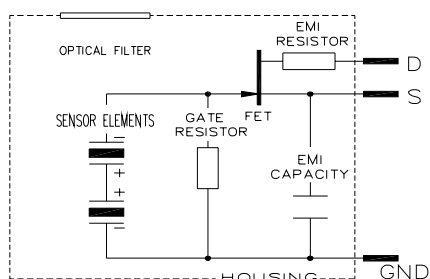
High End Dual Element Detector

Special RFI Protection

Designed for PIR Alarms

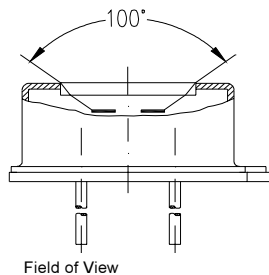
The **LHi 968** pyroelectric infrared-detector series is specially designed for Intrusion Alarm applications. It includes a dual element pyroelectric ceramic with FET in source follower connection and RF protection by a resistor and additional capacitor.

This detector is available in **TO-5** housing with an infrared filter which protects the elements from strong white light disturbance. It offers high responsivity with excellent common mode performance (match) and low noise.



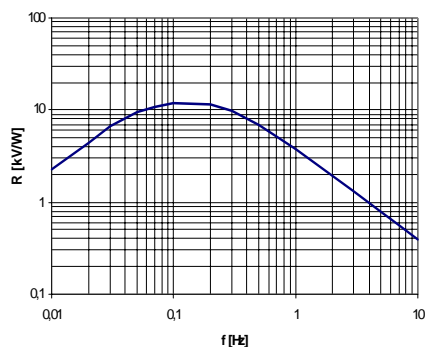
Parameters	LHi 968			
	min	typical	max	units condition
Element size	2 x 1		mm ²	(2 elements)
Responsivity	3 300	3800	V/W	100°C, 1 Hz
Match	1	10	%	
Noise		20	50	µVpp 25°C, 0,3...10Hz
Offset Voltage	0,2		1,5	V 25°C, R _s =47kΩ

NEP	7,5x10 ⁻¹⁰	28x10 ⁻¹⁰	W √Hz	1Hz Bw, 100°C, 1 Hz
D*	5x10 ⁷	19x10 ⁷	cm √Hz/W	1Hz Bw, 100°C 1 Hz
Output Impedance	5	10	kΩ	R _s =47kΩ, 25°C
Operating Voltage	2	15	V	R _s =47kΩ, 25°C
Field of View, horizontal	100°			unobstructed
vertical	100°			unobstructed
Operating Temperature	-40	85	°C	non permanent
Storage Temperature	-40	85	°C	non permanent

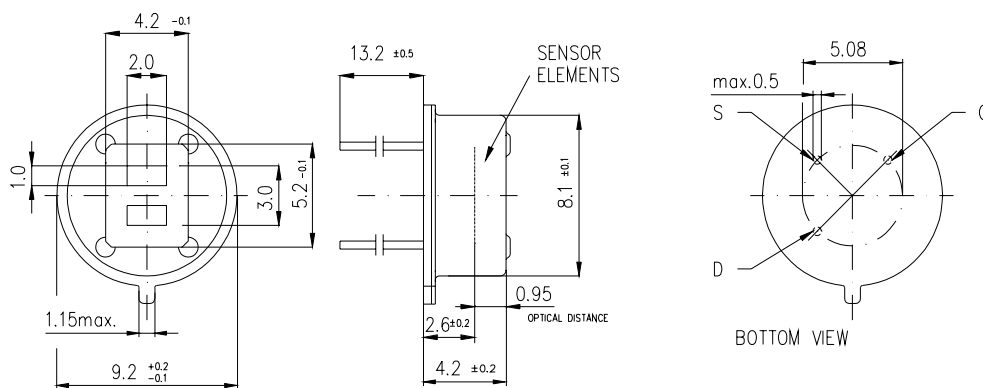


Field of View

Right for modification reserved / WS / 29.6.2001



Frequency Response



Dimensions in mm

Europe:
PerkinElmer Optoelectronics GmbH
 Wenzel Jaksch Str 31
 Wiesbaden / Germany
 Phone +49(0)611 492 0
 Fax +49(0)611 492 170

USA:
PerkinElmer Optoelectronics
 2175 Mission College Blvd
 Santa Clara, CA 95054
 Phone +408 565 0830
 Fax +408 565 0703

Asia:
PerkinElmer Optoelectronics
 47, Ayer Rajah Crescent #06-12
 Singapore 139947
 Phone +65 775 2022
 Fax +65 775 1008



PerkinElmer
optoelectronics.