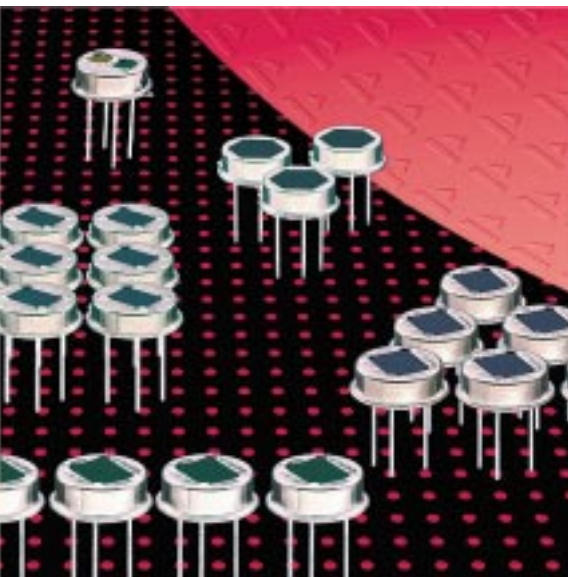


Dual Element Detector LHi 906



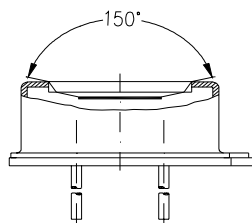
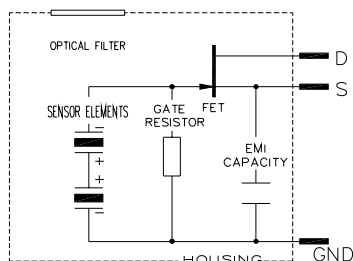
Banana (Yin Yang) element design

Single FET output

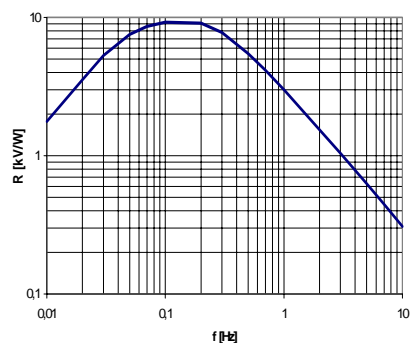
Designed for ceiling mount applications

The **LHi 906** pyroelectric infrared-detector is a special design for motion control in ceiling mount applications. It includes a pyroelectric ceramic with 2 sensitive elements in round shape connected to one FET in source follower connection.

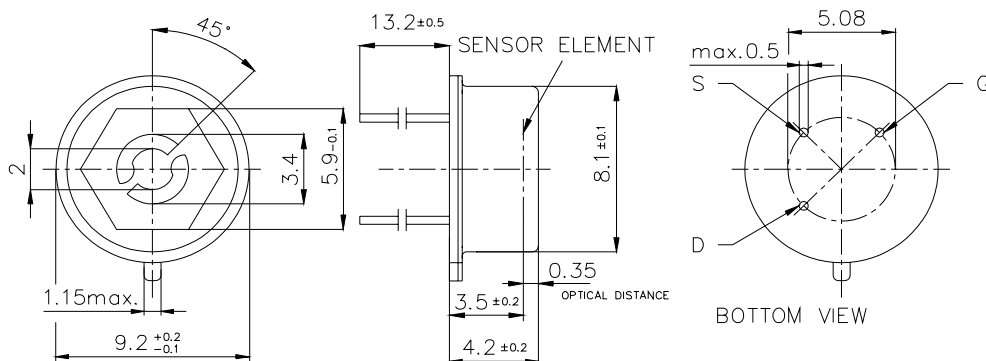
This detector is available in TO-5 housing with a standard infrared filter. It offers low noise, special field of view and capture for ceiling mount applications.



Field of View



Frequency Response



Dimensions in mm

Parameters	LHi 906			units	condition
	min	typical	max		
Element size	2,66			mm ²	(2 round elemts.)
Responsivity	2500	3000		V/W	100°C, 1 Hz
Match		1	10	%	
Noise		20	50	μVpp	25°C, 0,3...10Hz
Offset Voltage	0,2		1,5	V	R _s =47kΩ, 25°C
NEP		7,5x10 ⁻¹⁰	23x10 ⁻¹⁰	W √Hz	1Hz Bw, 100°C, 1 Hz
D*	6x10 ⁷	19x10 ⁷		cm √Hz/W	1Hz Bw, 100°C, 1 Hz
Output Impedance		5	10	kΩ	R _s =47kΩ, 25°C
Operating Voltage	2		15	V	R _s =47kΩ, 25°C
Field of View, horizontal		150°			unobstructed
Field of View, vertical		150°			unobstructed
Operating Temp.	-40		85	°C	non permanent
Storage Temperature	-40		85	°C	non permanent