

# Magnetic Contact

## Part No. LC-15

### Description

Magnetic contact is a proximity switch what is used magnetic field of magnet to actuate Reed Switch. Because of design in Reed Switch, low cost and simple using-way is major characteristics of magnetic contact.

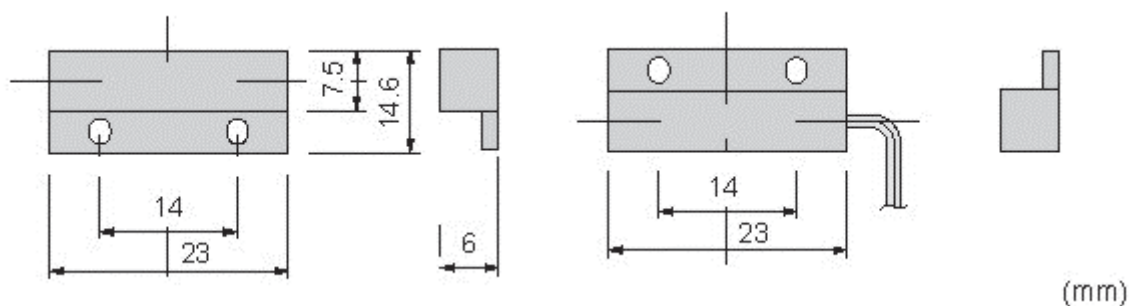
### Application

- Security equipment
- domestic appliances
- automation machines

### Feature

- Miniature surface mount
- Standard 15mm + gap
- Switches or magnet only are available separately
- Available in closed loop and open loop
- Latching type upon request

### Outline dimensions



# Magnetic Contact

## Part No. LC-15

### Switch

Contact form	Form A SPST-NO
Volts DC (Max.)	30
Amps DC (Max.)	0.3
Watts DC (Max.)	10
Voltage holdoff DC (Min.)	200
Initial resistance	0.2 Ohms
Insulation resistance (Min.)	100 Mohms
Switch cycle	$5 \times 10^7$ cycle at 30V 0.1A DC

### Magnet

Material	NedFeB N30 rare earth
Residual flux density (Br)	11.8~12.5 K Gauss
Maximun energy product (BH)	30~33 MGOe
Curie temperature (Tc)	310°C

### Gap

D-MUST operate (Min.)	13mm
D-MUST release (Max.)	25mm

### Physical characteristic

Temperature	-40°C ~+100°C
Vibration	20 G(10~55 HZ)
Shock	30 G (11 msec)
Package drop	Drop height 80 cm
Humidity	80°C 95% RH 72 hrs