

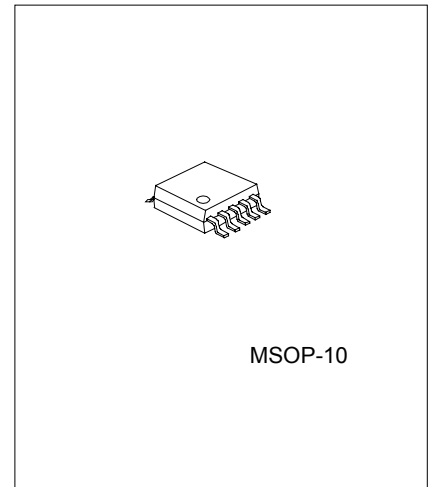
## SINGLE-PHASE FULL-WAVE MOTOR DRIVER IC

### DESCRIPTION

The UTC LB1962 is a Single-phase full-wave motor driver designed specially for small DC fans. For example, CPU cooling fans.

### FEATURES

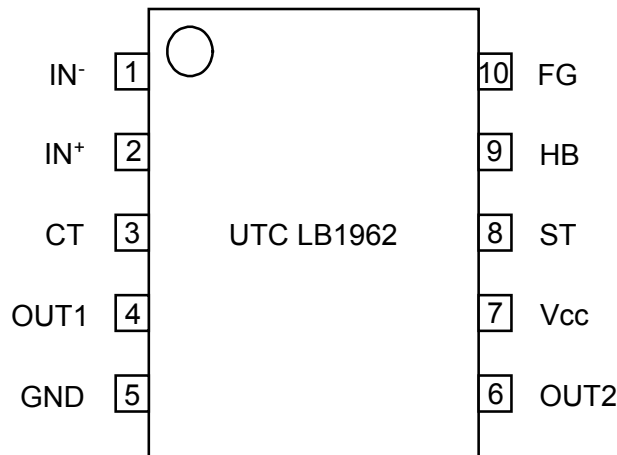
- \* Wide operating voltage 5V or 12V are both acceptable
- \* Built-in Hall amplifier and Hall bias circuit.
- \* Built-in lockup and thermal protection with automatic recovery circuits
- \* Rotation detection output
- \* start/stop pin for standby mode control.



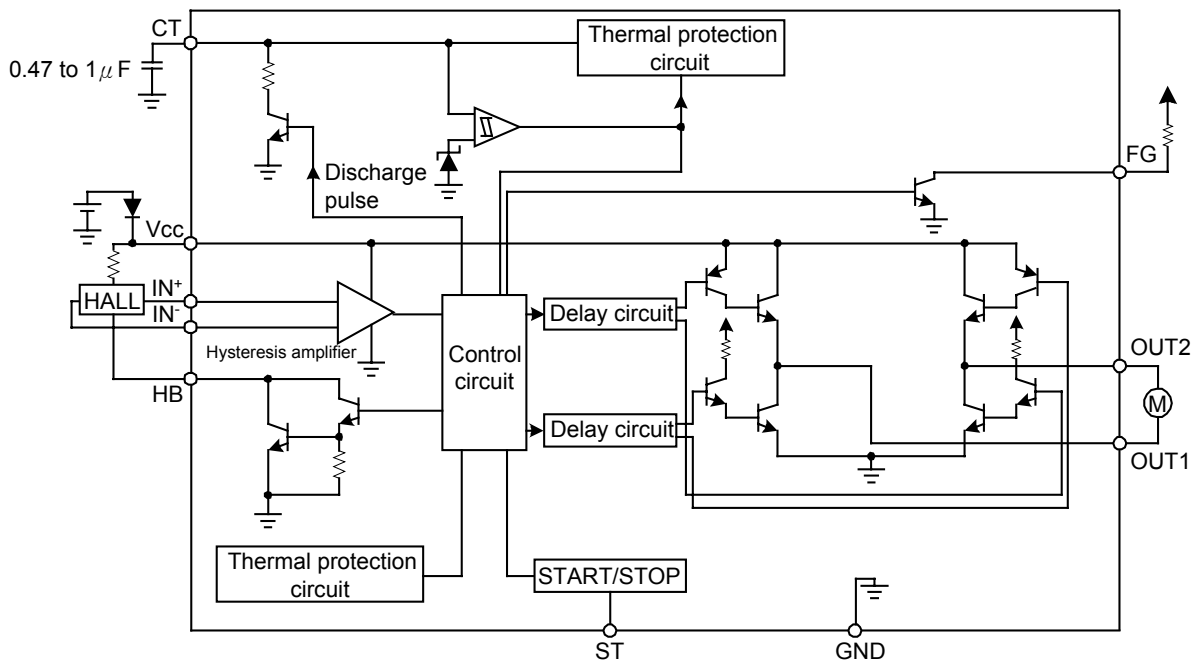
MSOP-10

\*Pb-free plating product number: LB1962L

### PIN CONFIGURATION



BLOCK DIAGRAM



ABSOLUTE MAXIMUM RATINGS

(Ta=25°C)

PARAMETER	SYMBOL	RATINGS	UNIT
Maximum Supply voltage	V <sub>CC(max)</sub>	17	V
Maximum Output current	I <sub>OUT(max)</sub>	0.5	A
Maximum Output withstand voltage	V <sub>OUT(max)</sub>	15	V
Maximum output withstand voltage	V <sub>F(max)</sub>	17	V
Maximum output current	I <sub>F(max)</sub>	5	mA
	I <sub>R(max)</sub>	5	mA
HB maximum output current	I <sub>B(max)</sub>	10	mA
ST maximum input voltage	V <sub>ST(max)</sub>	15	V
Allowable power dissipation (With specified substrate*)	P <sub>D</sub>	850	mW
Operating Temperature Range	T <sub>OPR</sub>	-30 ~ +85	°C
Storage Temperature Range	T <sub>STG</sub>	-40 ~ +150	°C

\*Specified substrate: 114.3×76.2×1.5mm<sup>3</sup> glass epoxy.

RECOMMENDED OPERATING RATINGS

(Ta=25°C)

PARAMETER	SYMBOL	RATINGS	UNIT
Power supply voltage	V <sub>CC</sub>	3.8 ~ 16.8	V
ST input High level voltage	ST <sub>H</sub>	3 ~ 14	V
ST input Low level voltage	ST <sub>L</sub>	-0.3 ~ +0.4	V
Hall input common mode voltage range	V <sub>ICM</sub>	0.2 ~ V <sub>CC</sub> -1.5	V

**ELECTRICAL CHARACTERISTICS**(Ta=25°C, V<sub>CC</sub>=5V)

PARAMETER	SYMBOL	TEST CONDITIONS	MIN	TYP	MAX	UNIT
Current drain	I <sub>CC</sub>	In drive mode ( CT= [L] , ST= [L] )		6.5	9.1	mA
		In lockup protection mode ( CT= [H] , ST= [L] )		2.2	3.1	mA
		In standby mode ( ST= [H] )		110	150	μA
Lockup detection Capacitor charge current	I <sub>CT</sub> <sup>1</sup>		1.9	2.8	3.7	μA
Capacitor discharge current	I <sub>CT</sub> <sup>2</sup>		0.32	0.46	0.60	μA
Capacitor charge/discharge current ratio	R <sub>CT</sub>	R <sub>CD</sub> =I <sub>CT</sub> <sup>1</sup> /I <sub>CT</sub> <sup>2</sup>	5.0	6.0	7.0	
CT charge voltage	V <sub>CT</sub> <sup>1</sup>		2.55	2.75	2.95	V
CT discharge voltage	V <sub>CT</sub> <sup>2</sup>		1.6	1.8	2.0	V
Output Low level voltage	V <sub>OL</sub>	I <sub>O</sub> =200mA		0.2	0.3	V
Output High level voltage	V <sub>OH</sub>	I <sub>O</sub> =200mA	3.9	4.1		V
Hall input sensitivity	V <sub>HN</sub>	Zero peak value (Including offset and hysteresis)		7	15	mV
Output pin Low voltage	V <sub>FG</sub>	I <sub>RD</sub> , I <sub>FG</sub> =5mA		0.1	0.3	V
Output pin leakage current	I <sub>FGL</sub>	V <sub>RD</sub> , V <sub>FG</sub> =15V			30	μA
HB output Low voltage	V <sub>HBL</sub>	I <sub>HB</sub> =5mA		1.0	1.3	V
ST pin input current	I <sub>ST</sub>	V <sub>ST</sub> =5V		75	100	μA

**TRUTH TABLE**

ST	IN <sup>-</sup>	IN <sup>+</sup>	CT	OUT1	OUT2	FG	HB	Mode
H				off	off	off	off	Standby
L	H	L	L	H	L	H	L	Rotating
	L	H		L	H	L		
			H	off	off		L	Lockup protection activated

**DESIGN REFERENCE****(1) V<sub>CC</sub> pin**

Power supply pin for whole IC.

**(2) OUT1, OUT2 pins**

Single-phase coil output pins.

Bipolar forward or reverse drive output determined by OUT1 or OUT2 high. Built-in regenerative circuit that regenerates kickback current between lower side NPN outputs if a diode is used for protection against reverse connection.

**(3) IN<sup>-</sup>, IN<sup>+</sup> pins**

Hall signal input pins

The Hall signal is amplified into a square wave by the Hall amplifier with hysteresis characteristics of  $\pm 3.5$  mV (typ.). The Hall signal amplitude should be 70 mV or more.

**(4) CT pin**

This pin serves timing capacitor connecting pin between CT and GND.

The capacitor determines timing of the built-in lockup protection circuit for preventing coil burnout when motor is locked. Once normal motor rotating condition is restored, the automatic recovery circuit will reset itself.

Adjusting the capacitance alters the lockup detection time.

When a 0.47 mF capacitor is connected between CT and GND

Lockup detection time	:approx. 0.5s
Lockup protection time/automatic recovery time	:approx. 0.16s (output ON)
	:approx. 1s (output OFF)

Connecting this pin to ground when lockup function is not used

**(6) FG pin**

Open-collector output pin for rotation frequency detection.

When IN<sup>-</sup> = High and IN<sup>+</sup> = Low, then FG = Low

When IN<sup>-</sup> = Low and IN<sup>+</sup> = High, then FG = High

**(7) ST pin and HB pin**

ST pin: When input to this pin is High, motor drive is stopped (OUT is high impedance).

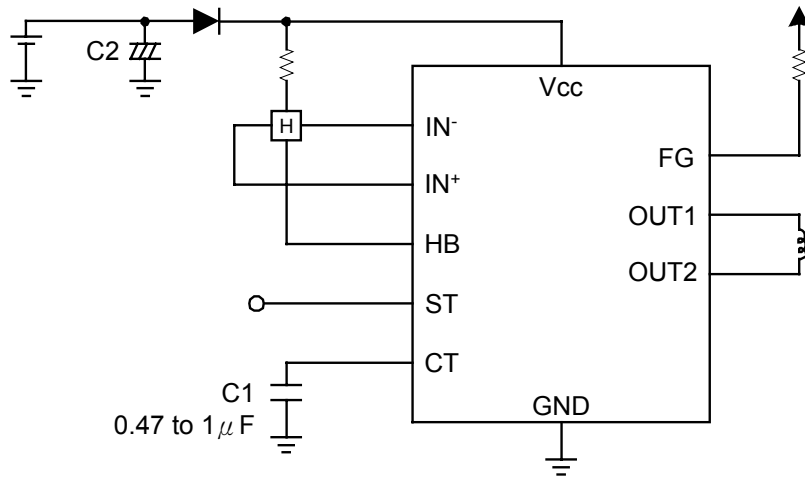
HB pin: Hall bias switching pin. At ST pin High input, Hall bias is switched to reduce current drain in fan standby mode.

If not used, both pins should be open.

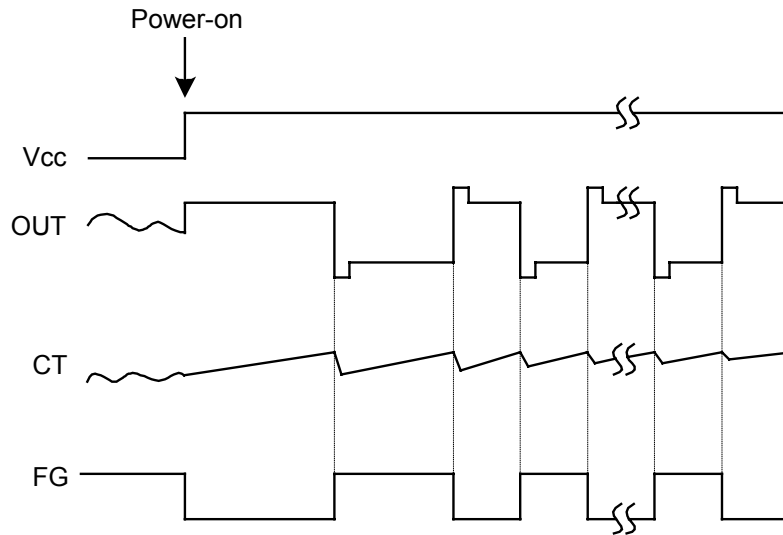
**(8) Thermal protection circuit**

When junction temperature T<sub>j</sub> of IC is or over about 150°C, output current limiter is activated to protect against damage.

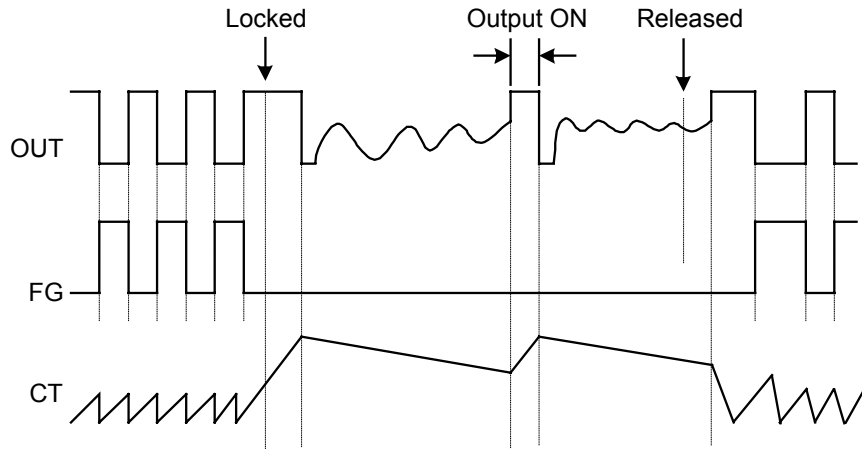
SAMPLE APPLICATION CIRCUIT



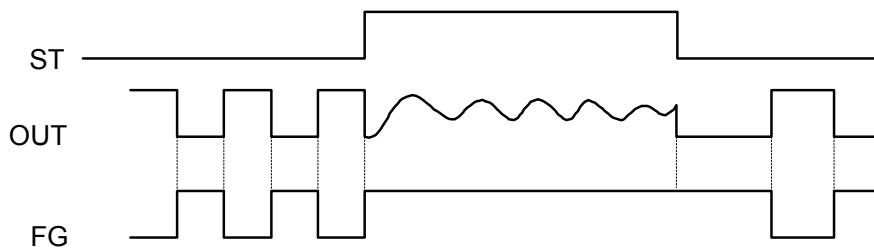
Startup



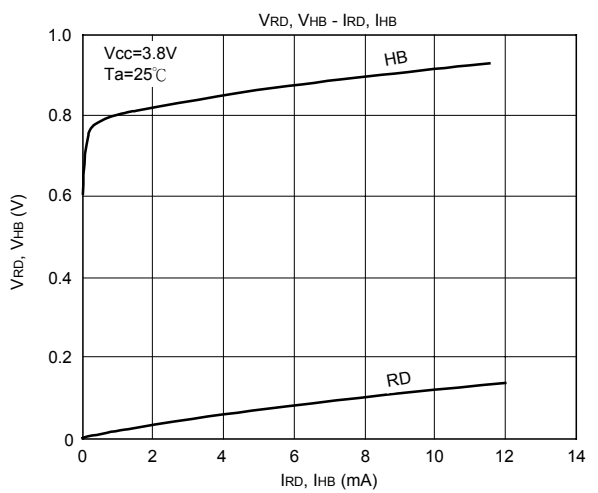
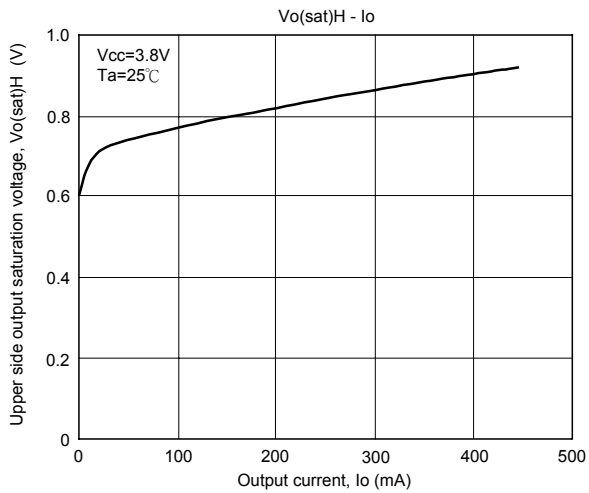
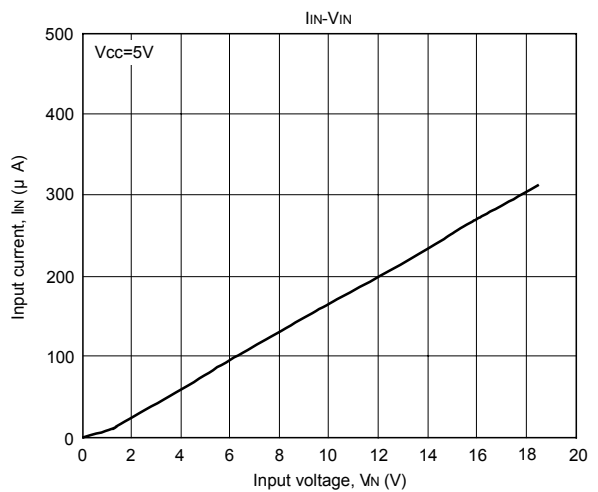
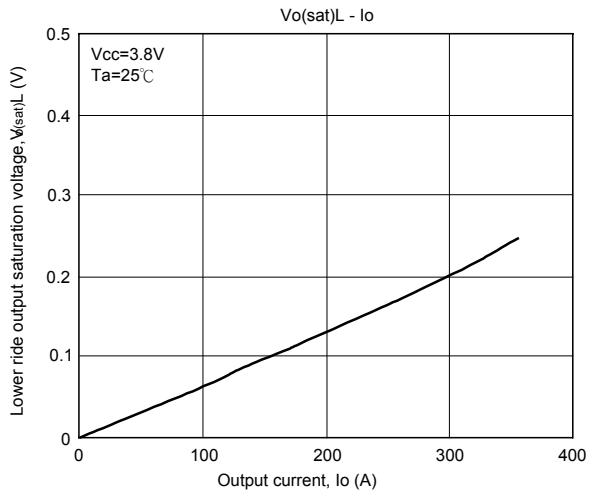
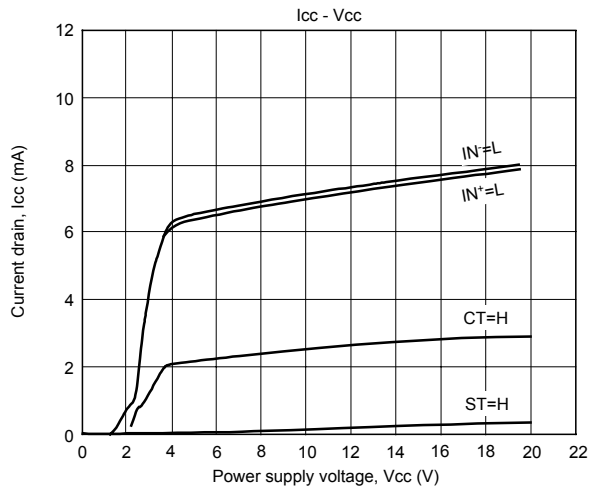
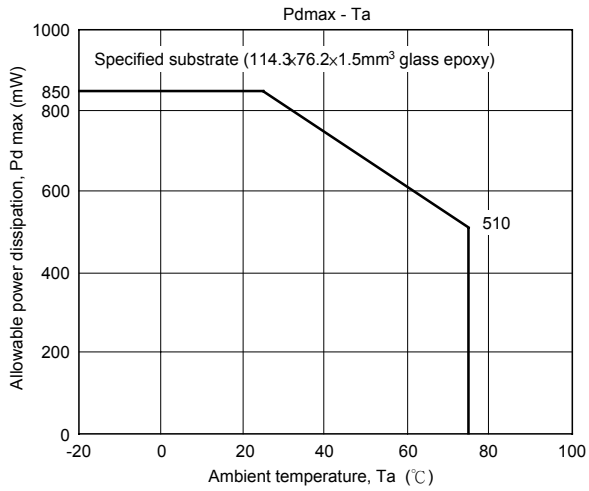
Locked-up protection and automatic recovery curves



Start or stop curve



TYPICAL CHARACTERISTION



UTC assumes no responsibility for equipment failures that result from using products at values that exceed, even momentarily, rated values (such as maximum ratings, operating condition ranges, or other parameters) listed in products specifications of any and all UTC products described or contained herein. UTC products are not designed for use in life support appliances, devices or systems where malfunction of these products can be reasonably expected to result in personal injury. Reproduction in whole or in part is prohibited without the prior written consent of the copyright owner. The information presented in this document does not form part of any quotation or contract, is believed to be accurate and reliable and may be changed without notice.