



# LB1894M

## 3-Phase Brushless Motor Driver for CD-ROM Spindle Motors

### Overview

The LB1894M is a 3-phase brushless motor driver for use in CD-ROM spindle motors.

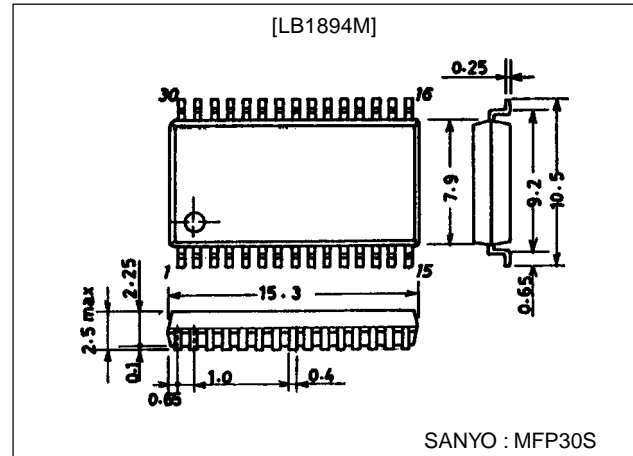
### Function and Features

- 3-phase bipolar brushless motor driver.
- Voltage linear drive, enabling the external capacitance to be reduced.
- Thermal shutdown circuit built-in.
- Overcurrent protection circuit built-in.
- V-type control amplifier built-in.
- 2-step switching control gain.
- Control gain switchable using operational amplifier.

### Package Dimensions

unit:mm

3073A-MFP30S



### Specifications

#### Absolute Maximum Ratings at Ta = 25°C

Parameter	Symbol	Conditions	Ratings	Unit
Maximum supply voltage	V <sub>CC1</sub> max		20	V
	V <sub>CC2</sub> max		7.0	V
Output supply current	V <sub>OU</sub> , V, W		22	V
Output current	I <sub>OUT</sub>		1.5	A
Allowable power dissipation	P <sub>d</sub> max		1.05	W
Operating temperature	T <sub>opr</sub>		-20 to +75	°C
Storage temperature	T <sub>stg</sub>		-55 to +150	°C

#### Allowable Operating Ranges at Ta = 25°C

Parameter	Symbol	Conditions	Ratings	Unit
Supply voltage	V <sub>CC1</sub>		5 to 18	V
	V <sub>CC2</sub>		4.3 to 6.5	V

- Any and all SANYO products described or contained herein do not have specifications that can handle applications that require extremely high levels of reliability, such as life-support systems, aircraft's control systems, or other applications whose failure can be reasonably expected to result in serious physical and/or material damage. Consult with your SANYO representative nearest you before using any SANYO products described or contained herein in such applications.
- SANYO assumes no responsibility for equipment failures that result from using products at values that exceed, even momentarily, rated values (such as maximum ratings, operating condition ranges, or other parameters) listed in products specifications of any and all SANYO products described or contained herein.

**SANYO Electric Co.,Ltd. Semiconductor Business Headquarters**

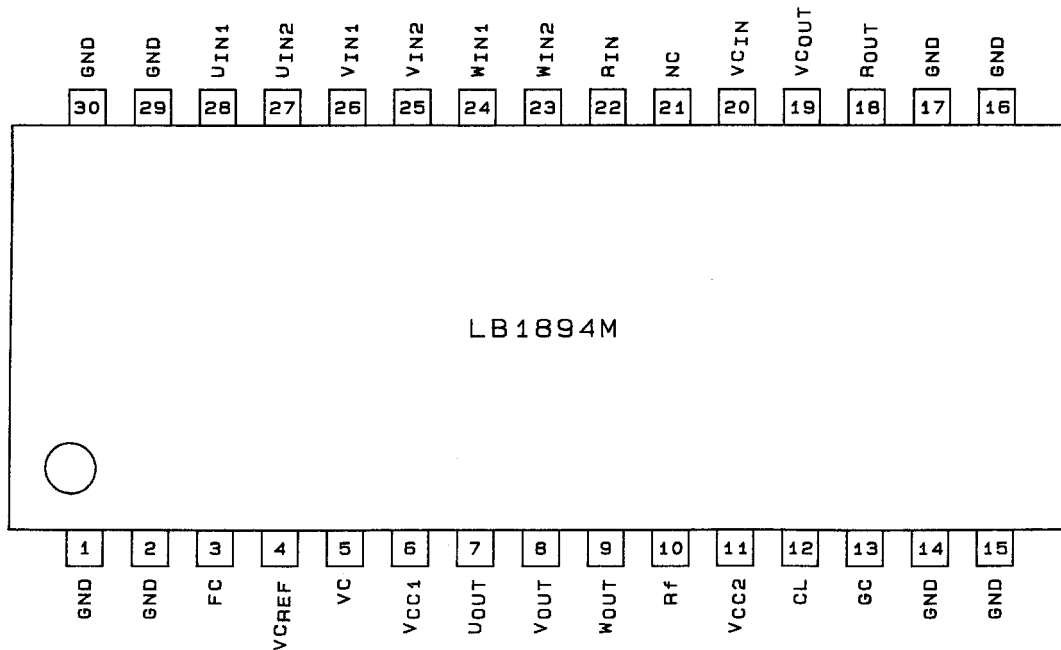
TOKYO OFFICE Tokyo Bldg., 1-10, 1 Chome, Ueno, Taito-ku, TOKYO, 110-8534 JAPAN

# LB1894M

## Electrical Characteristics at Ta = 25°C, VCC1=12V, VCC2=5V

Parameter	Symbol	Conditions	Ratings			Unit
			min	typ	max	
Supply current	I <sub>CC 1</sub>	VC=V <sub>CCREF</sub> , R <sub>L</sub> =∞		17	30	mA
	I <sub>CC 2</sub>	VC=V <sub>CCREF</sub>		6.5	9.5	mA
[Driver stage]						
Output saturation voltage	V <sub>O(sat)1</sub>	I <sub>OUT</sub> =0.5A, sink+source		1.6	2.2	V
	V <sub>O(sat)2</sub>	I <sub>OUT</sub> =1.0A, sink+source		2.0	3.0	V
Output transistor blocking voltage	V <sub>O(sus)</sub>	I <sub>OUT</sub> =20mA, design value	20			V
Output rest voltage	V <sub>OQ</sub>	VC=V <sub>CCREF</sub>	5.7	6.0	6.3	V
Hall amplifier input offset voltage	V <sub>H offset</sub>		-5		+5	mV
Hall amplifier input bias current	I <sub>H bias</sub>			1	5	μA
Hall amplifier common-mode input voltage range	V <sub>Hch</sub>		1.3		2.2	V
Hall amplifier input-output voltage gain	G <sub>VHO</sub>		42	45	48	dB
[Control stage]						
Control-output drive gain	G <sub>VCO1</sub>	High gain, GC=high	32	35	38	dB
	G <sub>VCO2</sub>	Low gain, GC=low	26	29	32	dB
Control-output channel difference	ΔG <sub>VCO</sub>		-2		+2	dB
Control rising threshold voltage	V <sub>CTH</sub>	V <sub>CCREF</sub> =2.5V, V <sub>OUT</sub> =0.1Vp-p	2.35		2.65	V
Control rising threshold voltage width	ΔV <sub>CTH</sub>	V <sub>CCREF</sub> =2.5V, V <sub>OUT</sub> =0.1Vp-p	50		150	mV
Gain control switching high-level voltage	V <sub>GC</sub>		4		5	V
Gain control switching low-level voltage	V <sub>GCL</sub>	Inputs are low level when left open	0		+2	V
[Op-amplifiers]						
Op-amplifier input offset voltage	V <sub>FG offset</sub>		-8		+8	mV
Open-loop voltage gain	G <sub>VFG</sub>	f=1kHz		60		dB
Source output saturation voltage	V <sub>FG OU</sub>	I <sub>O</sub> =-2mA	3.7			V
Sink output saturation voltage	V <sub>FG OD</sub>	I <sub>O</sub> =2mA			1.3	V
Common-mode signal rejection	CHR	Design value		80		dB
Op-amplifier common-mode input voltage range	V <sub>FG CH</sub>	V <sub>CCREF</sub> =1.5V to V <sub>CC2</sub> , design value	0		+3.5	V
Phase margin	φ <sub>M</sub>	Design value		20		deg
[Thermal shutdown]						
Thermal shutdown operating temperature	TSD	Design value	150	180	210	°C
TSD hysteresis	ΔTSD	Design value		15		°C

## Pin Assignment



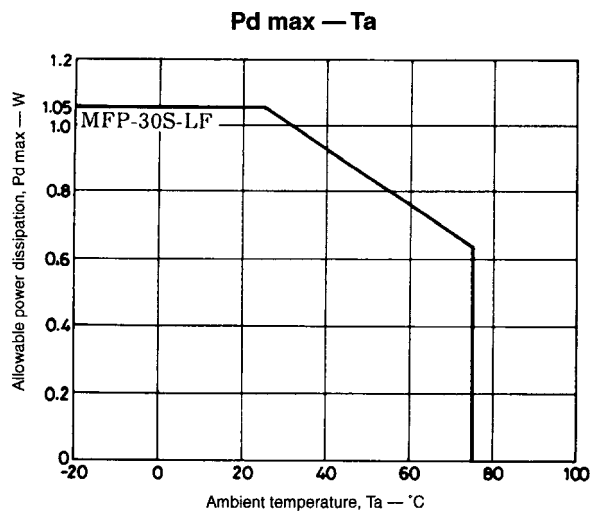
A02846  
(Top view)

# LB1894M

## Truth Table

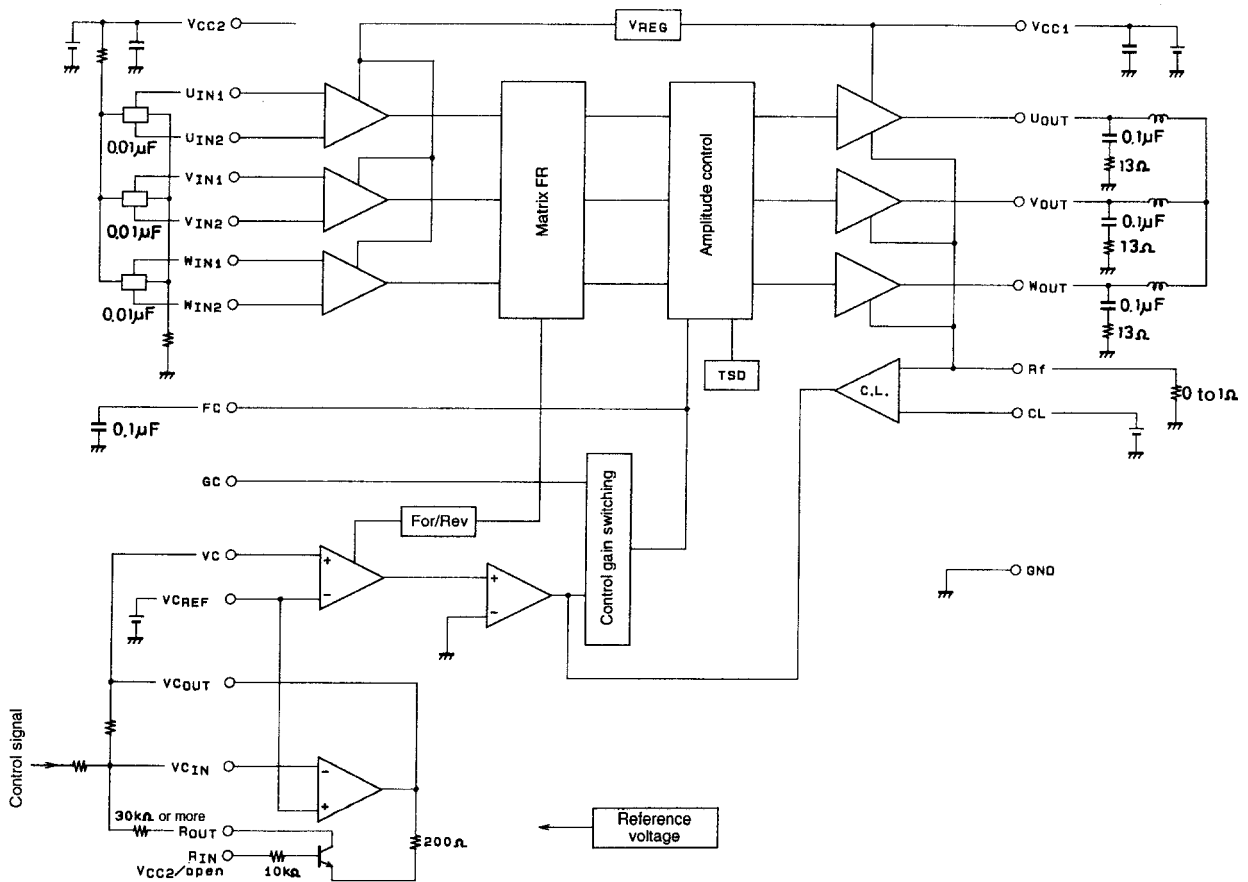
	Source→Sink	Hall Input			Control VC
		U <sub>IN</sub>	V <sub>IN</sub>	W <sub>IN</sub>	
1	W-phase → V-phase	HIGH	HIGH	LOW	HIGH
	V-phase → W-phase				LOW
2	W-phase → U-phase	HIGH	LOW	LOW	HIGH
	U-phase → W-phase				LOW
3	V-phase → W-phase	LOW	LOW	HIGH	HIGH
	W-phase → V-phase				LOW
4	U-phase → V-phase	LOW	HIGH	LOW	HIGH
	V-phase → U-phase				LOW
5	V-phase → U-phase	HIGH	LOW	HIGH	HIGH
	U-phase → V-phase				LOW
6	U-phase → W-phase	LOW	HIGH	HIGH	HIGH
	W-phase → U-phase				LOW

An input is considered to be HIGH when  $U_{IN1} > U_{IN2}$ ,  $V_{IN1} > V_{IN2}$ , and  $W_{IN1} > W_{IN2}$  by 0.2V more, and is considered to be LOW when  $U_{IN1} > U_{IN2}$ ,  $V_{IN1} > V_{IN2}$ , and  $W_{IN1} > W_{IN2}$  by 0.2V or less.



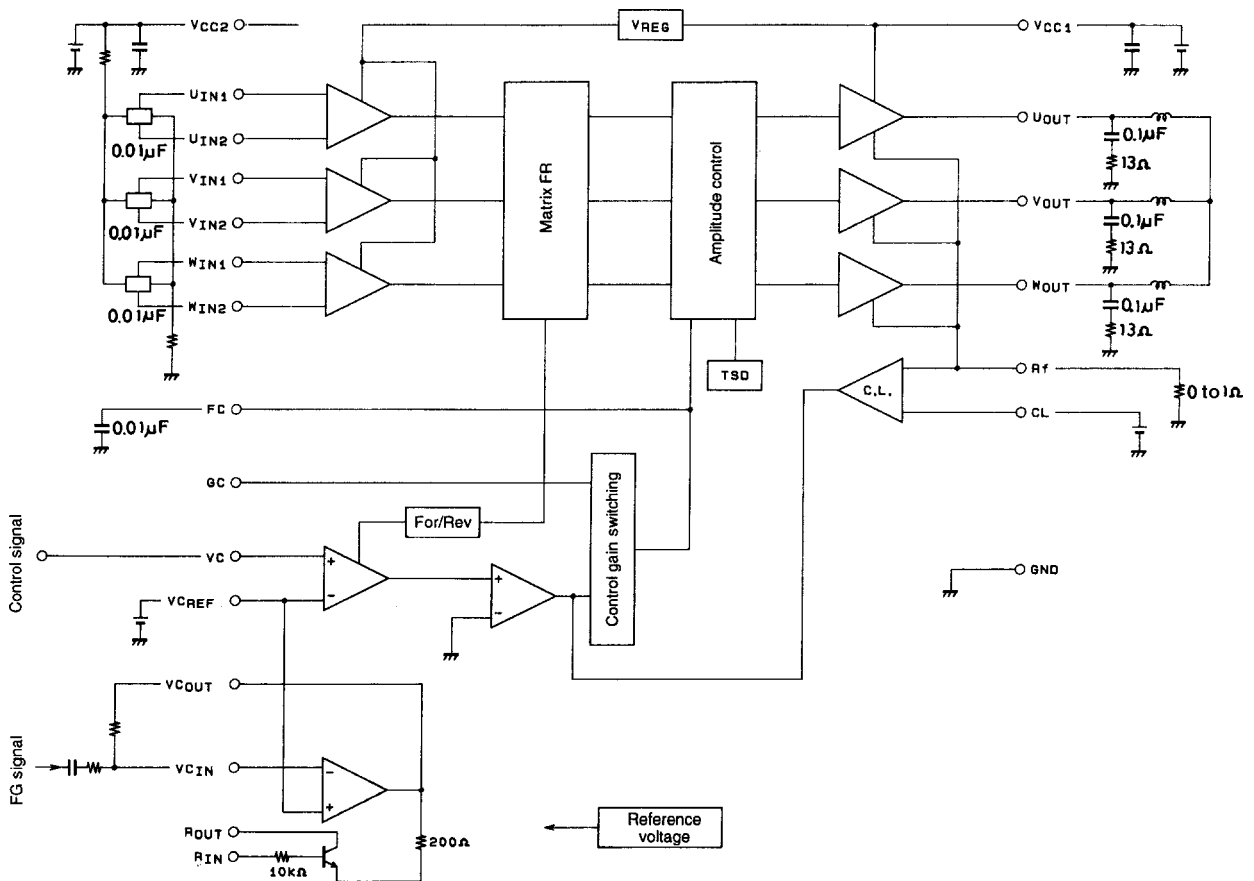
# LB1894M

## Block Diagram 1



A02847

## Block Diagram 2



A02848

# LB1894M

## Pin Functions

Pin No.	Symbol	Pin voltage	Equivalent circuit	Function
1, 2, 14, 15, 16, 17, 29, 30	FRAME (GND)			<ul style="list-style-type: none"> <li>Ground connection for all circuit except the outputs.</li> </ul>
3	FC			<ul style="list-style-type: none"> <li>Connect a capacitor between this pin and ground to reduce the control input-output gain frequency response and to stop the oscillator.</li> </ul>
4	V <sub>CREF</sub>	1.5V min V <sub>CC2</sub> max		<ul style="list-style-type: none"> <li>Speed control pins.</li> <li>Pin 4 voltage determines the control start voltage.</li> <li>Pin 5 voltage is used to control the output voltage (voltage control method).</li> </ul>
5	VC	0V min V <sub>CC2</sub> max		
6	V <sub>CC1</sub>	5 to 18V		<ul style="list-style-type: none"> <li>Output-stage supply pin.</li> </ul>
7 8 9	U <sub>OUT</sub> V <sub>OUT</sub> W <sub>OUT</sub>			<ul style="list-style-type: none"> <li>Output pins.</li> </ul>
10	R <sub>f</sub>			<ul style="list-style-type: none"> <li>Output transistor ground.</li> <li>A resistor can be connected between this pin and GND to sense the output current as a voltage drop to provide for overcurrent protection.</li> </ul>
11	V <sub>CC2</sub>	4.3 to 6.5V		<ul style="list-style-type: none"> <li>Supply for all circuits except the output stage.</li> <li>This supply should be kept stable to prevent ripple and noise from entering this pin.</li> </ul>

Continued to next page.

# LB1894M

Pin No.	Symbol	Pin voltage	Equivalent circuit	Function
12	CL	0V min $V_{CC2}$ max	<p style="text-align: right;">A03016</p>	<ul style="list-style-type: none"> <li>When the voltage on Rf pin becomes equal to the voltage on pin 12 (CL), the current limiter operates. The pin 12 (CL) voltage is determined externally. If the current limiter is not used, it should be connected to <math>V_{CC2}</math></li> </ul>
13	GC	0V min $V_{CC2}$ max	<p style="text-align: right;">A03017</p>	<ul style="list-style-type: none"> <li>Control input gain switching pin. 35dB is selected when pin 13 (GC) is HIGH (4 to 5), and 29dB is selected when pin 13 (GC) is LOW (0 to 2V) or open for a value <math>V_{CC2}=5V</math>.</li> </ul>
18	$R_{OUT}$		<p style="text-align: right;">A03018</p>	<ul style="list-style-type: none"> <li>A resistor connected between this pin and pin 20 (<math>V_{CIN}</math>) enables pin 22 switching between HIGH level and open to switch the op-amplifier gain.</li> </ul>
19	$V_{COUT}$			<ul style="list-style-type: none"> <li>Op-amplifier output pin. This op-amplifier can be used for : 1. Control gain changing, or 2. FG amplifier.</li> </ul>
22	$R_{IN}$			<ul style="list-style-type: none"> <li>When this pin goes HIGH, the resistor connected between pins 18 and 20 is connected in parallel with the op-amplifier feedback resistor to switch the gain.</li> </ul>
20	$V_{CIN}$	0V min 3.5V max ( $V_{CC2}=5V$ )	<p style="text-align: right;">A03019</p>	<ul style="list-style-type: none"> <li>Op-amplifier inverting input pin. The op-amplifier non-inverting input is connected to pin 4 <math>V_{CREF}</math></li> </ul>

Continued to next page.

# LB1894M

Pin No.	Symbol	Pin voltage	Equivalent circuit	Function
23 24	$W_{IN2}$ $W_{IN1}$	1.3V min 2.2V max		<ul style="list-style-type: none"> <li>W-phase Hall element input pins. Logic HIGH is represented by <math>W_{IN1} &gt; W_{IN2}</math>.</li> </ul>
25 26	$V_{IN2}$ $V_{IN1}$			<ul style="list-style-type: none"> <li>V-phase Hall element input pins. Logic HIGH is represented by <math>V_{IN1} &gt; V_{IN2}</math>.</li> </ul>
27 28	$U_{IN2}$ $U_{IN1}$			<ul style="list-style-type: none"> <li>U-phase Hall element input pins. Logic HIGH is represented by <math>U_{IN1} &gt; U_{IN2}</math>.</li> </ul>

- Specifications of any and all SANYO products described or contained herein stipulate the performance, characteristics, and functions of the described products in the independent state, and are not guarantees of the performance, characteristics, and functions of the described products as mounted in the customer's products or equipment. To verify symptoms and states that cannot be evaluated in an independent device, the customer should always evaluate and test devices mounted in the customer's products or equipment.
- SANYO Electric Co., Ltd. strives to supply high-quality high-reliability products. However, any and all semiconductor products fail with some probability. It is possible that these probabilistic failures could give rise to accidents or events that could endanger human lives, that could give rise to smoke or fire, or that could cause damage to other property. When designing equipment, adopt safety measures so that these kinds of accidents or events cannot occur. Such measures include but are not limited to protective circuits and error prevention circuits for safe design, redundant design, and structural design.
- In the event that any and all SANYO products described or contained herein fall under strategic products (including services) controlled under the Foreign Exchange and Foreign Trade Control Law of Japan, such products must not be exported without obtaining export license from the Ministry of International Trade and Industry in accordance with the above law.
- No part of this publication may be reproduced or transmitted in any form or by any means, electronic or mechanical, including photocopying and recording, or any information storage or retrieval system, or otherwise, without the prior written permission of SANYO Electric Co., Ltd.
- Any and all information described or contained herein are subject to change without notice due to product/technology improvement, etc. When designing equipment, refer to the "Delivery Specification" for the SANYO product that you intend to use.
- Information (including circuit diagrams and circuit parameters) herein is for example only ; it is not guaranteed for volume production. SANYO believes information herein is accurate and reliable, but no guarantees are made or implied regarding its use or any infringements of intellectual property rights or other rights of third parties.

This catalog provides information as of September, 1998. Specifications and information herein are subject to change without notice.