



LA8638V

Low-voltage Componder IC for Cordless Telephones

Overview

The LA8638V provides dynamic range expansion, noise suppression for enhancing the quality of audio signals in cordless telephones and other communications systems. This single chip provides the functions that make it ideal for cordless telephones: a compressor with a logarithmic compression ratio of 1/2, expander with a logarithmic expansion ratio of 2, splatter filter, microphone amplifier, BTL amplifier, waveform shaper for the receiving signal, muting for both receiving and transmitting signals, and standby operation.

Functions

- Transmitter circuits: compressor, microphone amplifier, limiter (IDC), muting, output level changes to user-specified levels, and splatter filter
- Receiver circuits: expander, buffer amplifier for filters, muting, output level changes to user-specified levels, and BTL amplifier
- Other circuits: waveform shaper for the receiving signal and standby operation

Features

- Full processing of baseband signals for both receiving and transmitting signals
- Built-in BTL receiver amplifier for driving a ceramic

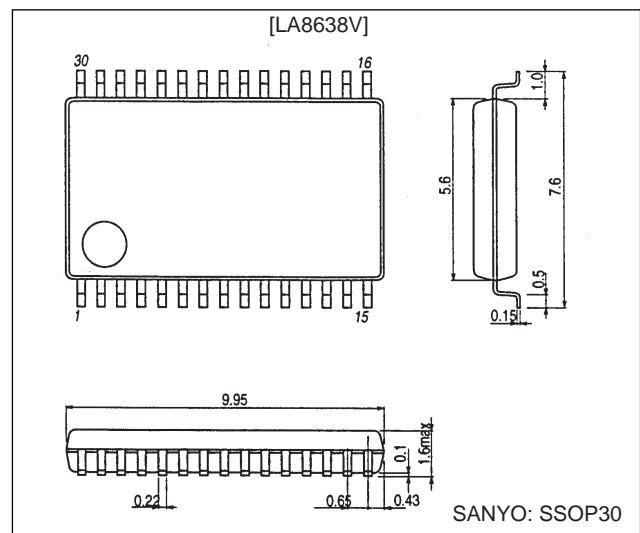
speaker with a load of 2 k Ω

- Standby operation that conserves battery power during intermittent reception by disabling all but the waveform shaper for the receiving signal
- Built-in splatter filter with user-specified f_c
- Low-voltage operation (1.8 V to 5.5 V)

Package Dimensions

unit: mm

3191-SSOP30



Specifications

Maximum Ratings at $T_a = 25^\circ\text{C}$

Parameter	Symbol	Conditions	Ratings	Unit
Maximum power supply voltage	$V_{CC \text{ max}}$		7.0	V
Maximum power dissipation	$P_d \text{ max}$	$T_a \leq 75^\circ\text{C}$	100	mW
Operating temperature	T_{opr}		-20 to +75	$^\circ\text{C}$
Storage temperature	T_{stg}		-40 to +125	$^\circ\text{C}$

Operating Conditions at $T_a = 25^\circ\text{C}$

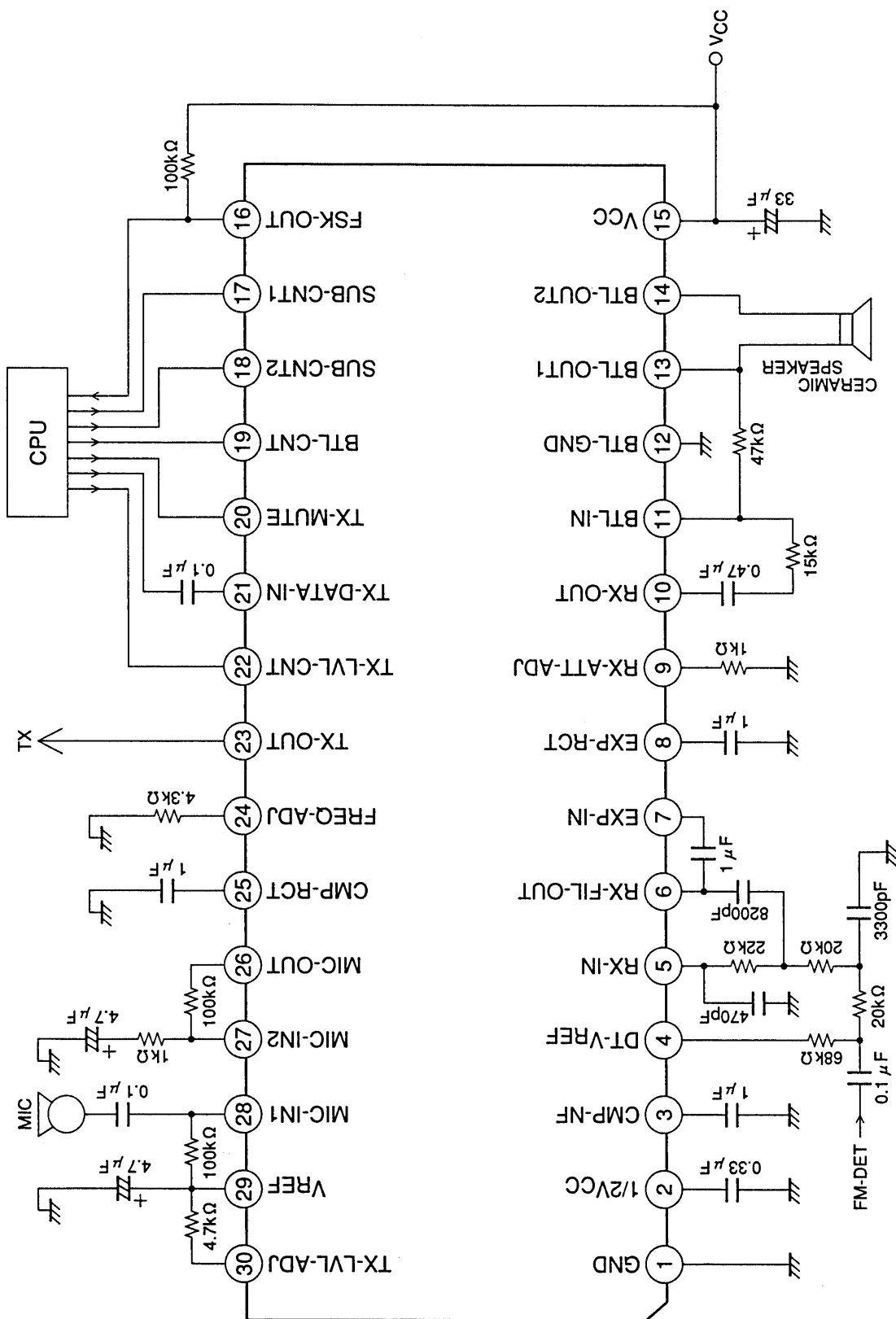
Parameter	Symbol	Conditions	Ratings	Unit
Recommended power supply voltage	V_{CC}		2.4	V
Operating power supply voltage range	$V_{CC \text{ op}}$		1.8 to 5.5	V

LA8638V

Electrical Characteristics at $T_a = 25^\circ\text{C}$, $V_{CC} = 2.4\text{ V}$, $f_{IN} = 1\text{ kHz}$

Parameter	Symbol	Conditions	Ratings			Unit
			min	typ	max	
Current drain with no signal	I_{CCO}	No signal	3.0	5.4	7.6	mA
Standby current	I_{STBY}	Standby mode, No signal	0.4	0.7	0.95	mA
[Transmitter block] $V_{inrefc} = -60\text{ dBV} = 0\text{ dB}$, microphone amplifier gain = 40 dB, $R_L = 15\text{ k}\Omega$						
Output level	V_{OC}	$V_{IN} = V_{inrefc} = 0\text{ dB}$	-18.1	-16.1	-14.1	dBV
Gain change level	G_{CC}	$V_{IN} = -10\text{ dB}$	3.5	4.0	4.4	dB
Gain error	G_{EC}	$V_{IN} = -40\text{ dB}$	-2.0	-0.7	+1.0	dB
Total harmonic distortion	THDc	$V_{IN} = 0\text{ dB}$		0.45	1.0	%
Output noise voltage	V_{NOC}	$R_g = 620\Omega$, $f = 20\text{ to }20\text{ kHz}$		1.8	4.5	mVrms
Limiting voltage	V_{LT}	$V_{IN} = +30\text{ dB}$, 1 kHz BPF	0.88	1.05	1.23	Vp-p
Microphone amplifier maximum voltage gain	VG max		40	46		dB
Low pass filter attenuation	Lalt	$f_{IN} = 5\text{ kHz}$; fifth-order Butterworth function filter ($f_c = 3.35\text{ kHz}$)	12.0	16.5	25.0	dB
Muting attenuation	ATTc	$V_{IN} = +30\text{ dB}$, 1 kHz BPF		-83	-65	dBV
Crosstalk level	CTc	$RX - V_{IN} = -10\text{ dBV}$, 1 kHz BPF		-61	-50	dBV
[Receiver block] $V_{inrefe} = -20\text{ dBV} = 0\text{ dB}$, $R_L = 15\text{ k}\Omega$						
Output level	V_{OE}	$V_{IN} = V_{inrefe} = 0\text{ dB}$	-18.8	-16.3	-13.8	dBV
Gain change level	G_{CE}	$V_{IN} = 0\text{ dB}$	6.0	7.1	8.4	dB
Gain error	G_{EE}	$V_{IN} = -30\text{ dB}$	-1.5	+0.3	+2.0	dB
Output noise voltage	V_{NOE}	$R_g = 620\Omega$, $f = 20\text{ to }20\text{ kHz}$		50	100	μVrms
Muting attenuation	ATTe	$V_{IN} = +10\text{ dB}$, 1 kHz BPF		-100	-80	dBV
Crosstalk level	CTe	$TX - V_{IN} = -40\text{ dBV}$, 1 kHz BPF		-83	-65	dBV
[BTL amplifier] $R_L = 2\text{ k}\Omega$						
Maximum output voltage	V_{OBTl}	THD = 3%	3.2	4.2		Vp-p
Total harmonic distortion	THDBtl	$V_{IN} = -5\text{ dBV}$		0.4	1.0	%
[Data shaper] $V_{IN} = -20\text{ dBV}$, $R_L = 100\text{ k}\Omega$						
Duty factor	DUTY		43	50	57	%
Dead zone	UNSN		-39.0	-34.5	-30.0	dBV
Output "H" level	V_H		2.2	2.38		V
Output "L" level	V_L			0.12	0.3	V
[Digital input characteristics]						
Input "H" level 1	V_{IH1}	Pins 17, 18, 20, and 22	$0.6 V_{CC}$			V
Input "L" level 1	V_{IL2}	Pins 17, 18, 20, and 22			$0.25 V_{CC}$	V
Input "H" level 2	V_{IH2}	Pin 19	1.3			V
Input "L" level 2	V_{IL2}	Pin 19			0.3	V

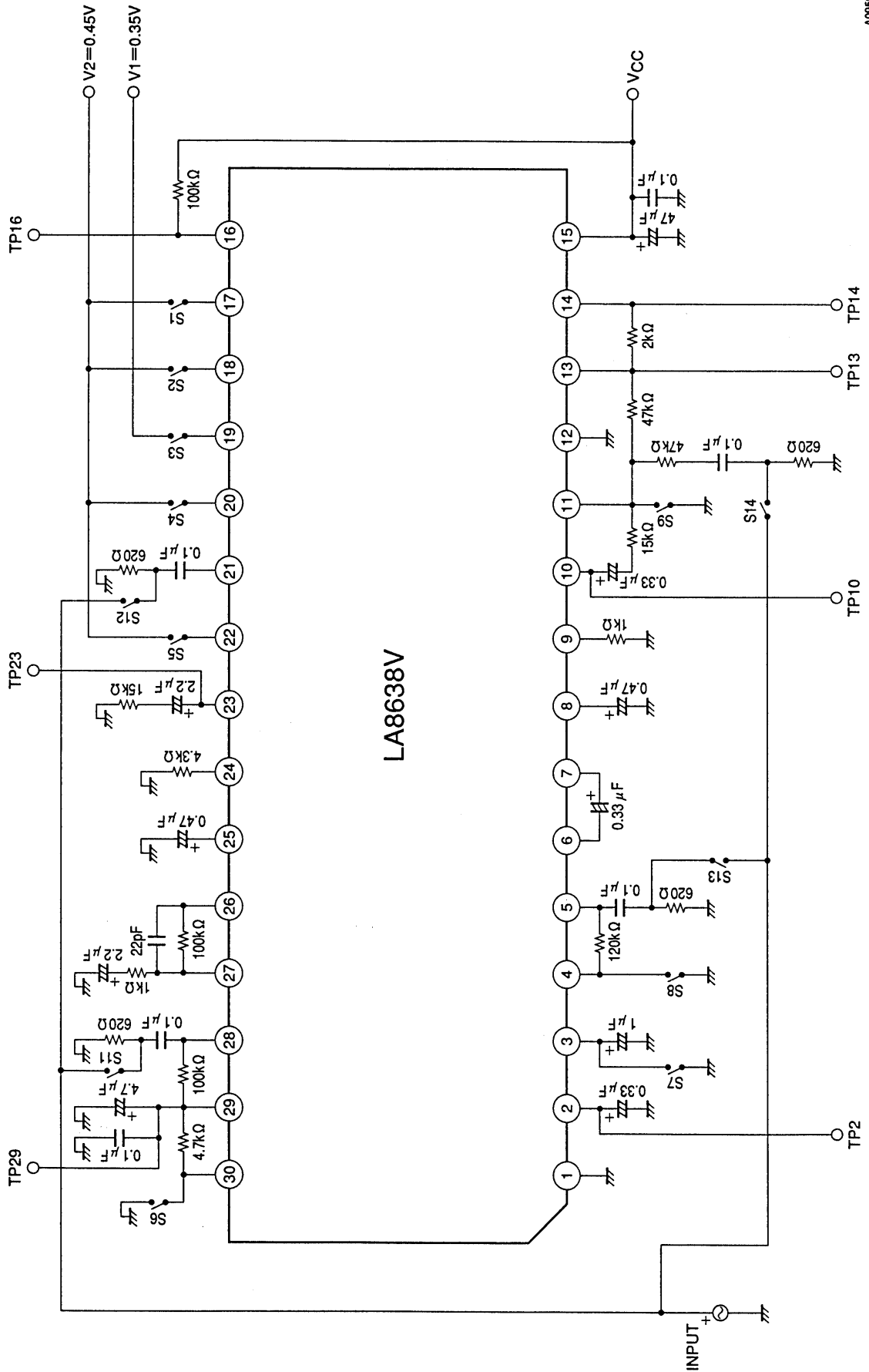
Sample Application Circuit



A09598

LA8638V

Test Circuit



A09559

Usage Notes

1. Internal Reference Voltages

The chip uses the following reference voltages internally.

Pin 29 (V_{REF1}) Power supply voltage follower (approximately $0.5 V_{CC}$)

Pin 4 (V_{REF2}) Fixed voltage (approximately 1.25 V)

2. Microphone Amplifier

Do not use the microphone amplifier as a buffer amplifier (non-reversing, zero-gain amplifier) because it is designed for high-gain operation—that is, gains above 6 dB—and is susceptible to oscillation below that level.

For proper circuit balance, use the same resistance value for the bias resistor (between pins 28 and 29) and the feedback resistor (between pins 26 and 27).

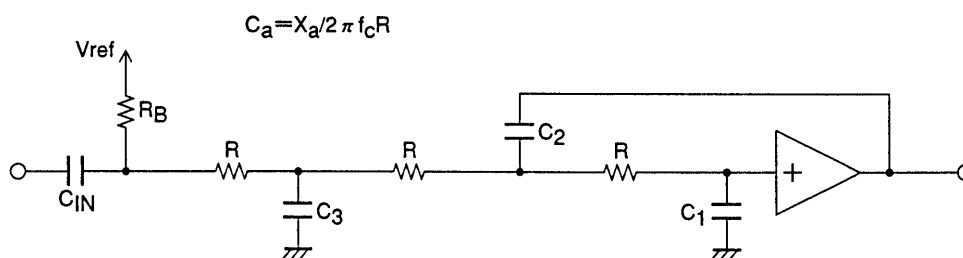
3. BTL Amplifier

The built-in BTL amplifier is designed for ceramic speakers only. Do not use it to drive a dynamic speaker.

4. Receiver Input Filter

The receiver input filter uses external capacitors and resistors to determine the cutoff frequencies. The external circuit constants may be easily derived from the standardized circuit constants. Start by making all resistors the same size and determine the capacitances required to achieve the desired cutoff frequencies from the circuit constants in Table 1. Then, because capacitors are not available for such precise values, choose the closest ones available and then fine-tune the resistances. (As a result, the final resistances will not necessarily be equal.)

Once the filter constants have been established, choose the bias voltage supply resistor R_B so that the total DC resistance between pins 4 and 5 is on the order of 120 k Ω to standardize the voltage drop across this path due to the small base current from the transistor in the pin 5 input circuit and thus the duty factor for the data shaper at the next stage.



A09600

Table 1. Standardized Circuit Constants

Lowpass filter type	X1	X2	X3
Second-order Butterworth function	0.7071	1.4142	—
Third-order Butterworth function	0.2025	3.5468	1.3926
Second-order Bessel function	0.5000	0.6667	—
Third-order Bessel function	0.1451	0.8136	0.5647

The Bessel functions for cutoff frequencies do not incorporate the notion of 3-dB attenuation. The 3-dB attenuation frequency for the second-order function is 1.38 f_c ; for the third-order function, 1.75 f_c .

5. Splatter Filter Cutoff Frequency

The resistance between pin 24 and ground determines the cutoff frequency for the splatter filter in the transmitter circuit. (See Graph 1 on p. 8.) To fine-tune this frequency, use two resistors and adjust them to achieve the desired frequency.

6. Gain Change Levels

The resistance between pins 29 and 30 determines the gain change level for the transmitter circuits. (See Graph 2 on p. 8.)

The resistance between pin 9 and ground determines the gain change level for the receiver circuits. (See Graph 3 on p. 8.)

7. Protective Diodes Preventing Static Breakdown

The control pins and data output pins have had their upper protective diodes removed so as to permit direct connection to a microcomputer.

- No protective diodes: V_{CC} (pin 15), GND (pins 1 and 12)
- Lower protective diodes only: Pins 16 to 20, 22
- Both upper and lower protective diodes: All other pins

8. Preemphasis and Deemphasis

This chip provides preemphasis in the microphone amplifier and deemphasis in the BTL amplifier's input stage. The amount depends on the CR time constants for the filters on the corresponding pins—the primary high pass filter on the microphone amplifier's positive (pin 28) or negative (pin 27) input for preemphasis and the primary low pass filter between pins 10 and 11 for deemphasis.

9. Full-Wave Rectifier Smoothing Capacitors

The external capacitors on pins 8 and 25 are for the full-wave rectifiers for the expander and compressor. They not only smooth the output but also determine the time constant for the transient characteristics. This time constant is the product of the capacitance and 15 k Ω , the input resistance of the full-wave rectifier. Although there is a tendency to lower the time constant for the expander to reduce noise at the ends of words, the designer must keep in mind that such cuts reduce the amount of smoothing and thus raise the risk of distortion.

10. Compressor's Summing Amplifier

Achieving a DC gain of 1 and an AC gain of infinity from the compressor's summing amplifier requires suppressing AC feedback with the capacitor on pin 3. The cutoff frequency is determined by the product of its capacitance and the internal resistance of 22.5 k Ω .

11. Standby Function

The chip's standby function does not produce a total shutdown of all circuits. It disables the audio signal processing block, but leaves the waveform shaper block for the receiving signal operating. For this reason, it is not possible to connect the battery directly to the power supply pin (pin 15). There must be an intervening transistor switch for an intermittent power supply.

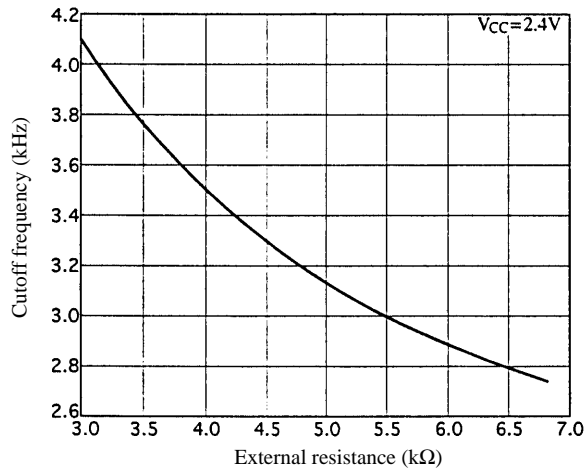
12. Control Modes

Pin 17	Pin 18	
SUB-CNT1	SUB-CNT2	Mode
OPEN/HIGH	OPEN/HIGH	Standby
OPEN/HIGH	LOW	Receiver muted
LOW	OPEN/HIGH	Normal receiver output levels
LOW	LOW	Low receiver output levels

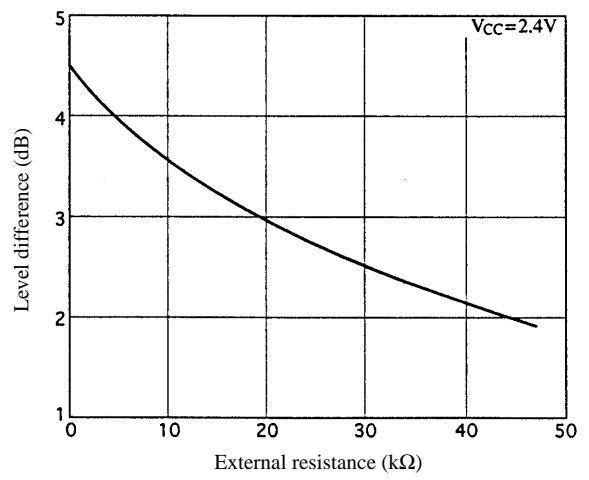
Pin Number	Pin Name	OPEN/HIGH	LOW
Pin 19	BTL-CNT	BTL amplifier disabled	BTL amplifier enabled
Pin 20	TX-MUTE	Transmitter muted	Transmitter enabled
Pin 22	TX-LVL-CNT	Normal transmitter output levels	High transmitter output levels

Note: The standby mode overrides all other mode settings.

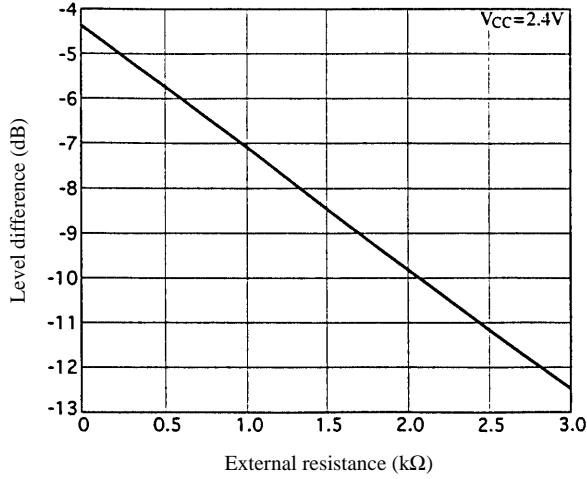
Graph 1. Splatter Filter Cutoff Frequency vs. External Resistance



Graph 2. Transmitter Gain Change Level vs. External Resistance

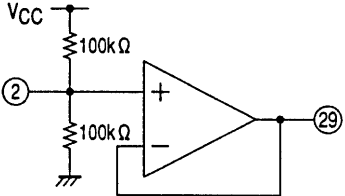
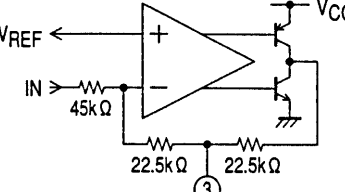
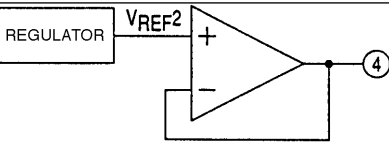
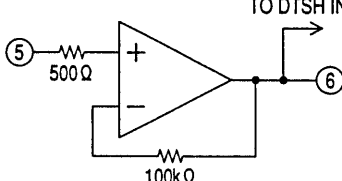
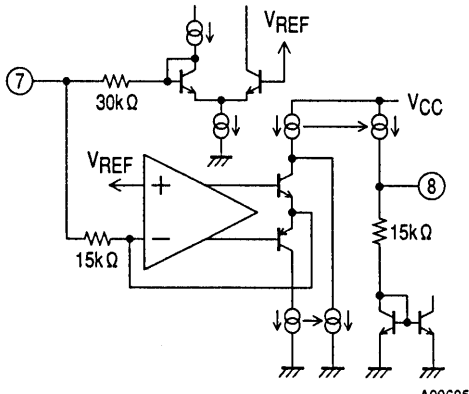
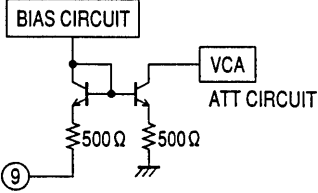
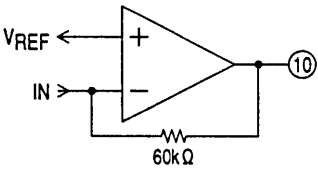


Graph 3. Receiver Gain Change Level vs. External Resistance



LA8638V

Pin Descriptions

Pin Number	Pin Name	Pin Voltage	Equivalent Circuit	Description
1	GND			Ground for all circuits except BTL amplifier
2	1/2 V _{CC}	V _{CC} /2	 <p style="text-align: right;">A09601</p>	Resistance voltage divider pin
29	V _{REF}	V _{CC} /2		Reference voltage for all circuits except receiver block
3	CMP-NF	V _{CC} /2	 <p style="text-align: right;">A09602</p>	AC feedback control for compressor's summing amplifier DC gain: 1 AC gain: Infinite
4	DT-V _{REF}	1.25 V	 <p style="text-align: right;">A09603</p>	Reference voltage for receiver block This supplies the bias voltage for pin 5.
5	RX-IN	1.25 V power supply	 <p style="text-align: right;">A09604</p>	Filter buffer input
6	RX-FIL-OUT	1.25 V		Filter buffer output
7	EXP-IN	V _{CC} /2	 <p style="text-align: right;">A09605</p>	Expander input. Voltage-current converter input. Full-wave rectifier input.
8	EXP-RCT	Indeterminate (when there is no signal)		Full-wave rectifier output for expander block (AC smoothing)
9	RX-ATT-ADJ	0.03 V	 <p style="text-align: right;">A09606</p>	Pin for setting attenuation for receiver output level switching
10	RX-OUT	V _{CC} /2	 <p style="text-align: right;">A09607</p>	Receiver block output

Continued on next page.

LA8638V

Continued from preceding page.

Pin Number	Pin Name	Pin Voltage	Equivalent Circuit	Description
12	BTL-GND			Ground for BTL amplifier
11	BTL-IN	$V_{CC}/2$		BTL amplifier input
13	BTL-OUT1	$V_{CC}/2$		BTL amplifier reversed output
14	BTL-OUT2	$V_{CC}/2$		BTL amplifier non-reversed output
15	V_{CC}			Power supply pin
16	FSK-OUT	Indeterminate (when there is no signal)		Comparator output (open collector output)
17	SUB-CNT1	V_{CC}		Internal operating mode control pins. All four have identical structures.
18	SUB-CNT2	V_{CC}		
20	TX-MUTE	V_{CC}		
22	TX-LVL-CNT	V_{CC}		
19	BTL-CNT	$\frac{V_{CC} + 0.65}{2}$		BTL amplifier operation control pins
21	TX-DATA-IN	$V_{CC}/1.6$		Transmitter data input
23	TX-OUT	$V_{CC}/1.6$		Transmitter output
24	FREQ-ADJ	0.01 V		Pin for setting cutoff frequency of splatter filter

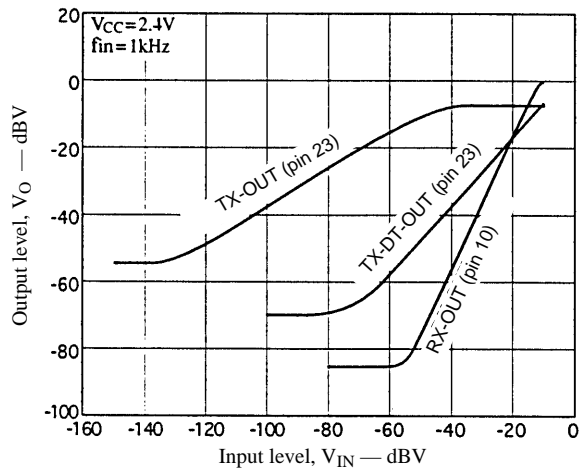
Continued on next page.

LA8638V

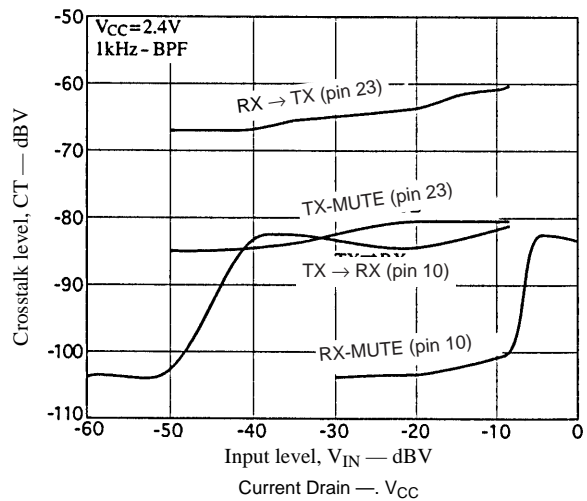
Continued from preceding page.

Pin Number	Pin Name	Pin Voltage	Equivalent Circuit	Description
25	CMP-RCT	Indeterminate (when there is no signal)		Full-wave rectifier output for compressor block (AC smoothing)
26	MIC-OUT	$V_{CC}/2$		Microphone amplifier output
27	MIC-IN2	$V_{CC}/2$		Microphone amplifier negative input
28	MIC-IN1	$V_{CC}/2$ power supply		Microphone amplifier positive input
30	TX-LVL-ADJ	$V_{CC}/2$		Pin for setting amplification for transmitter output level switching

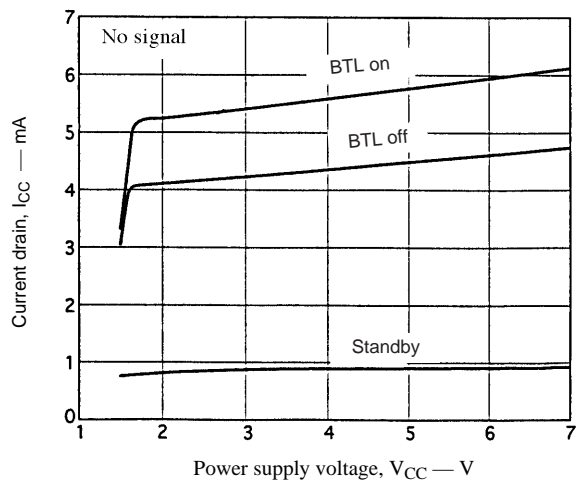
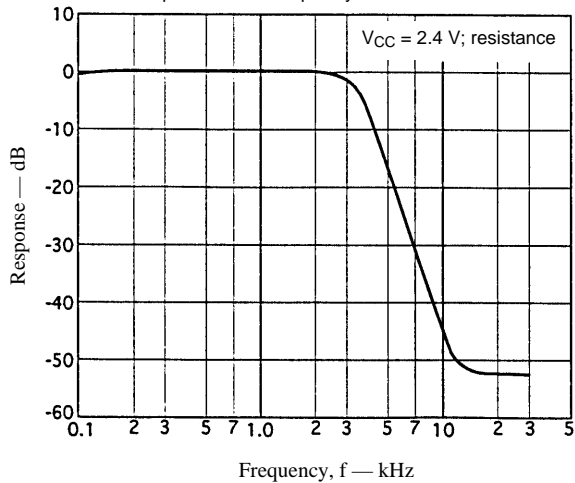
I/O Characteristics

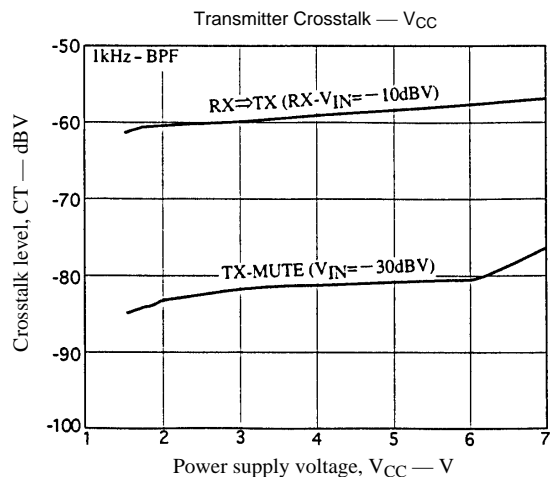
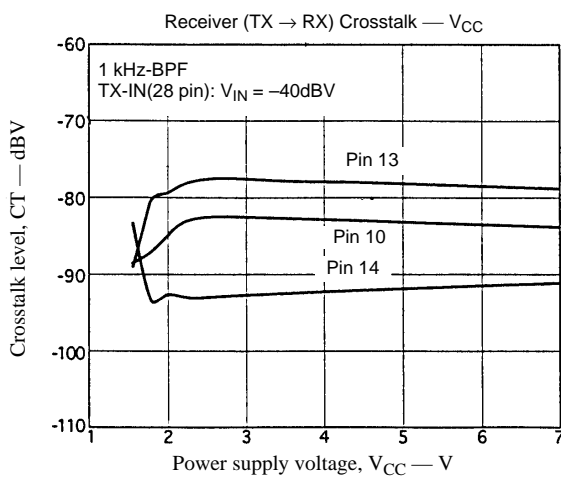
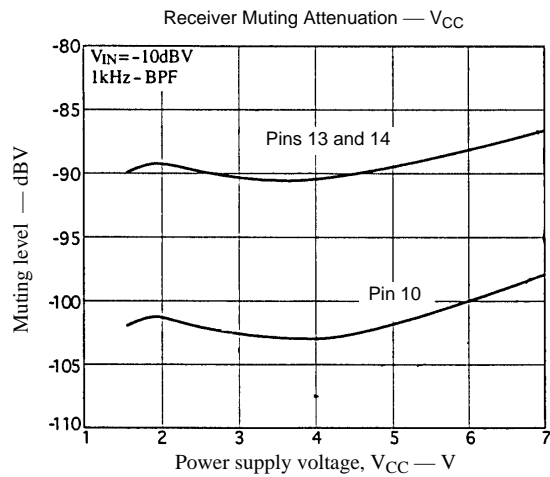
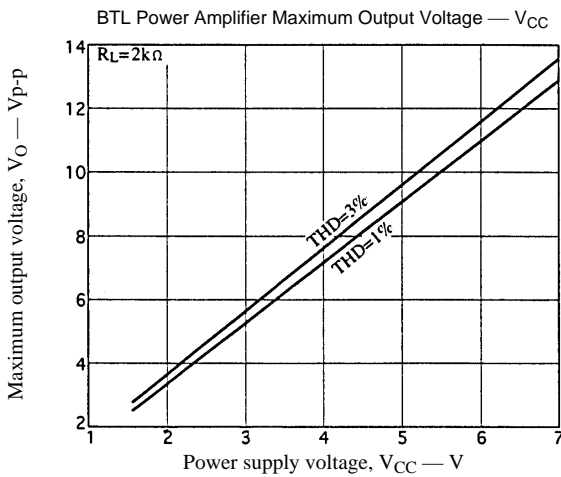
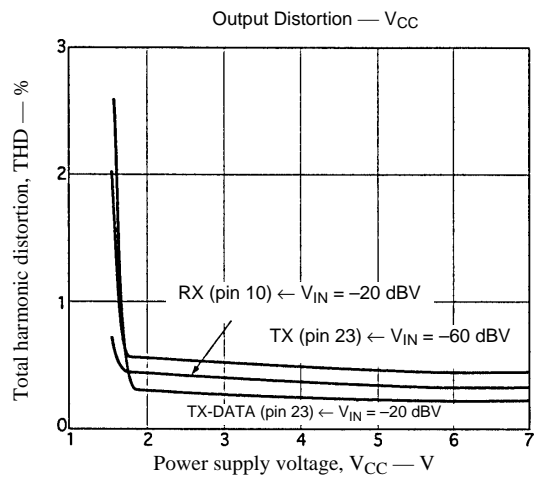
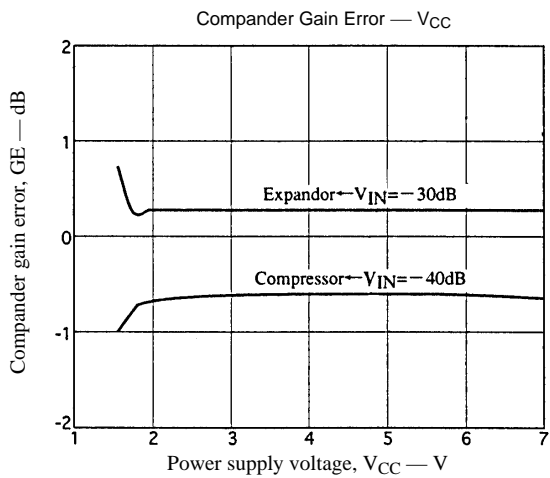
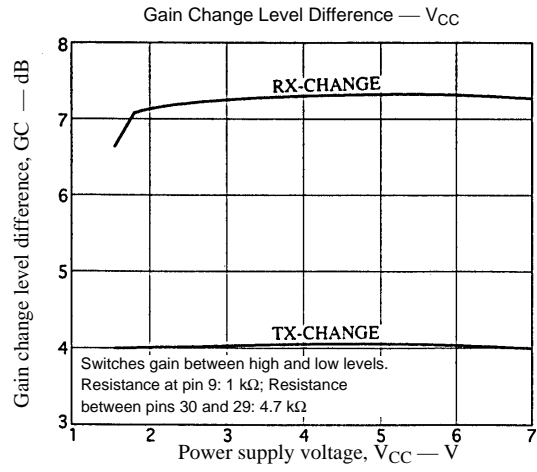
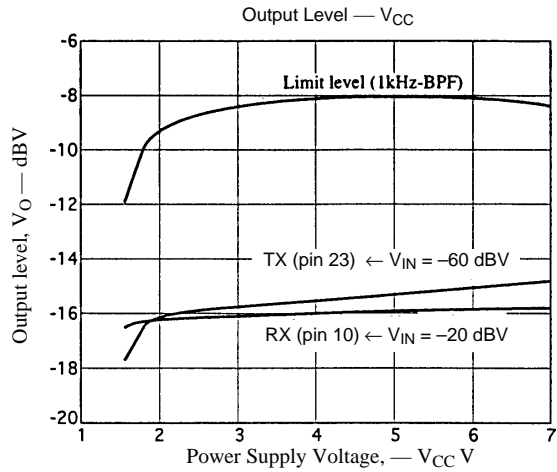


Crosstalk Characteristics

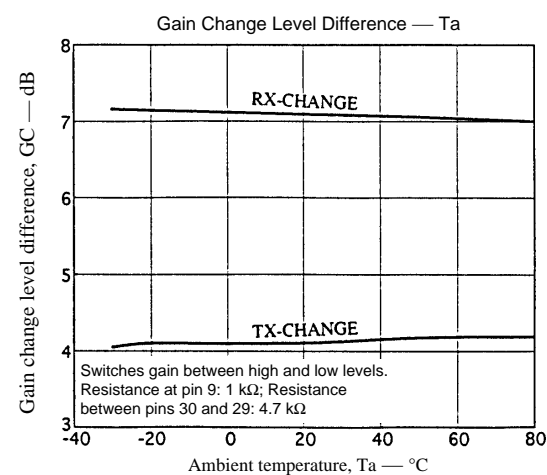
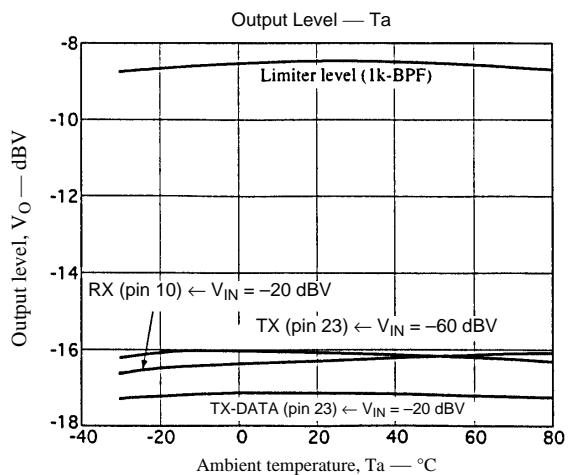
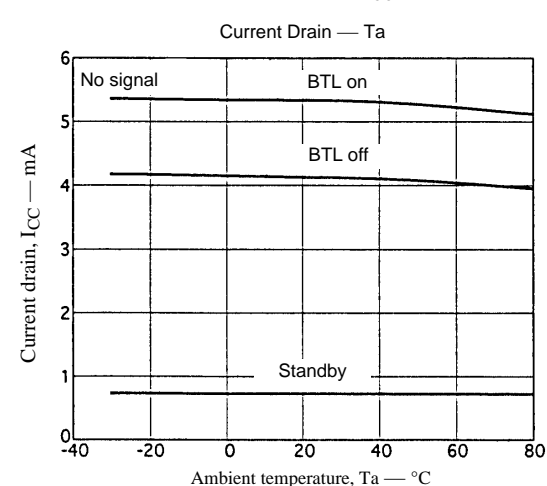
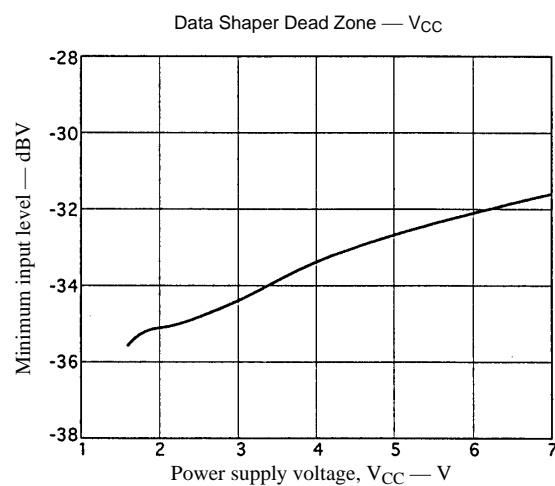
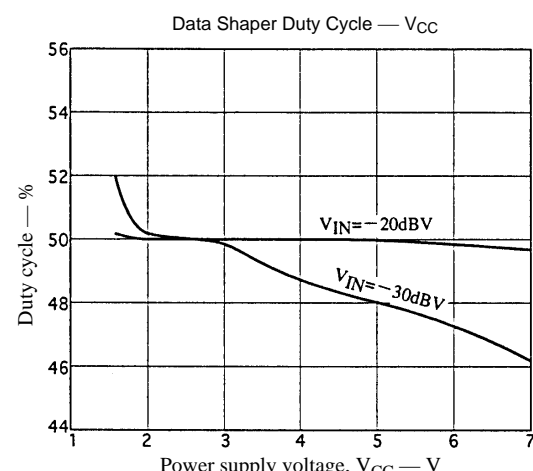
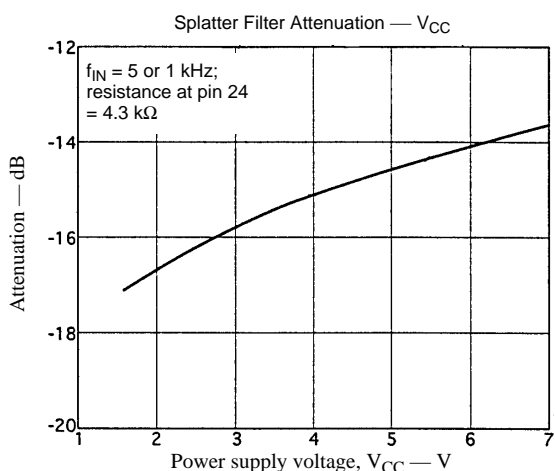
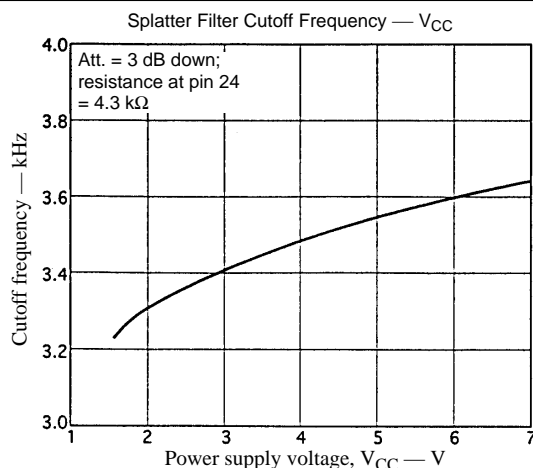
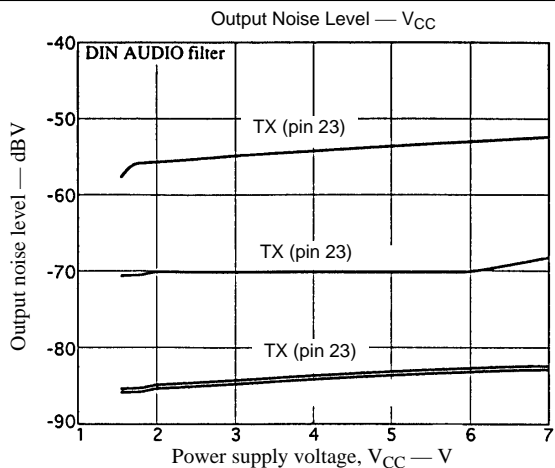


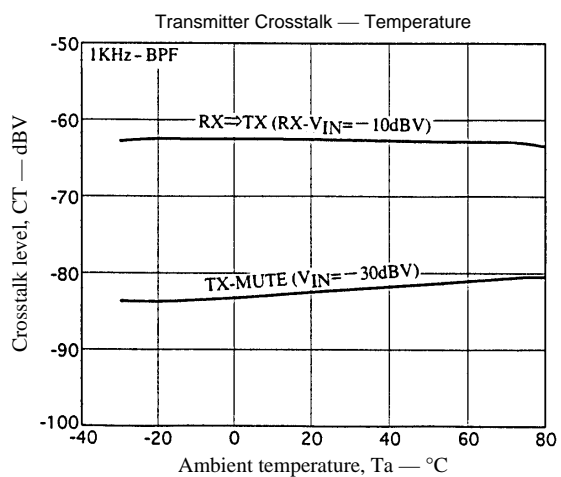
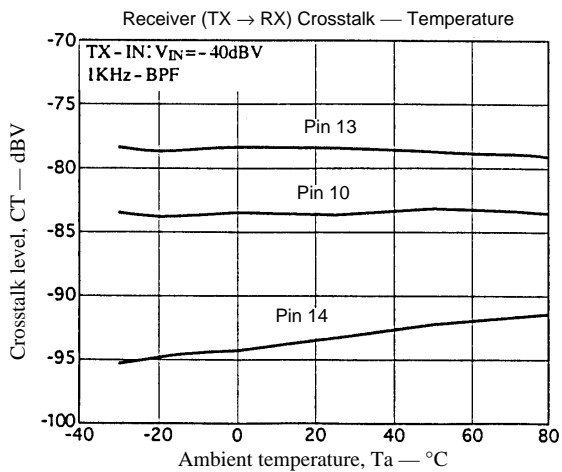
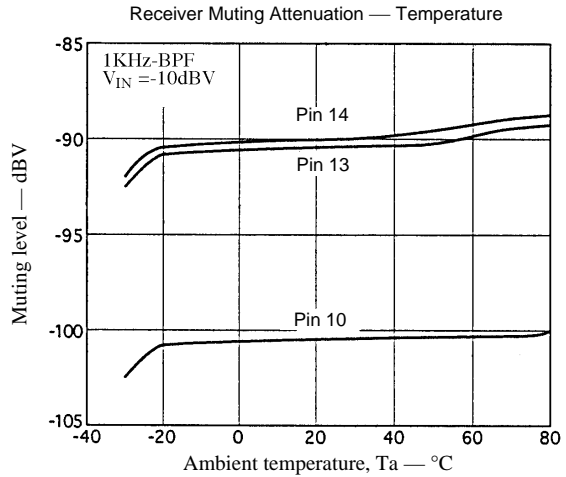
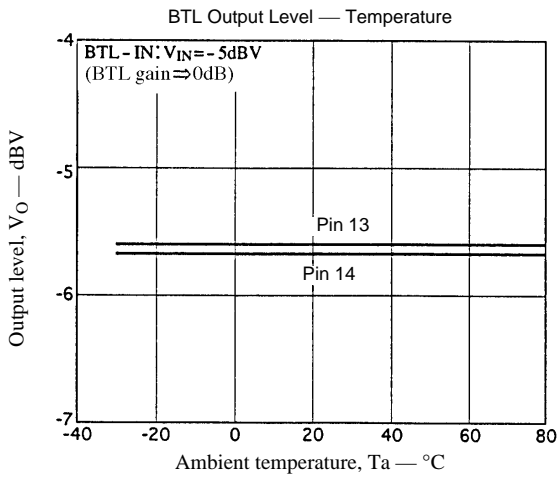
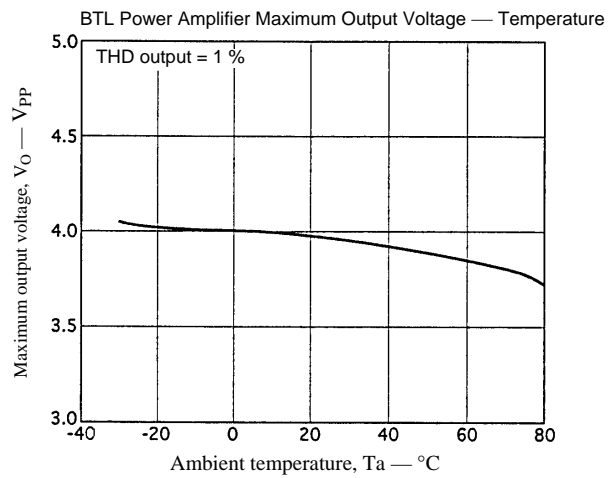
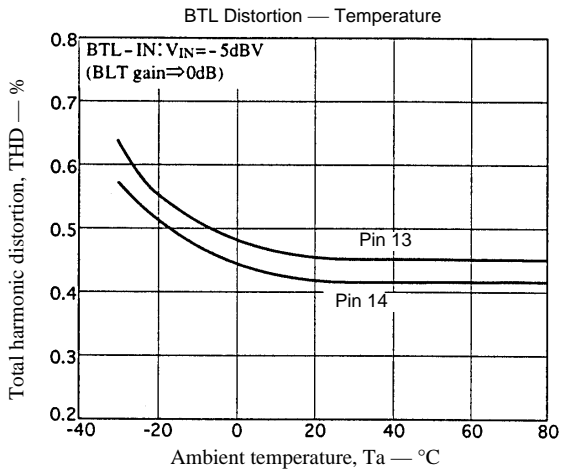
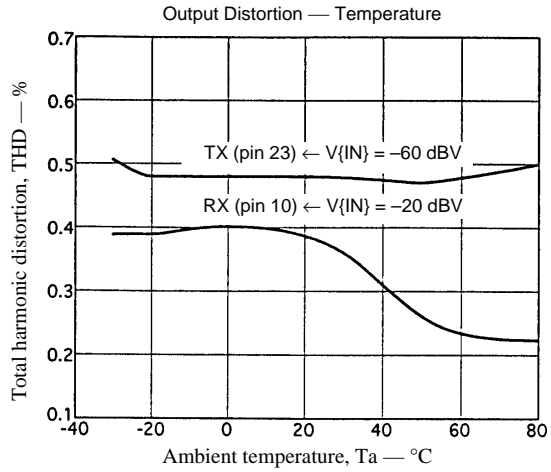
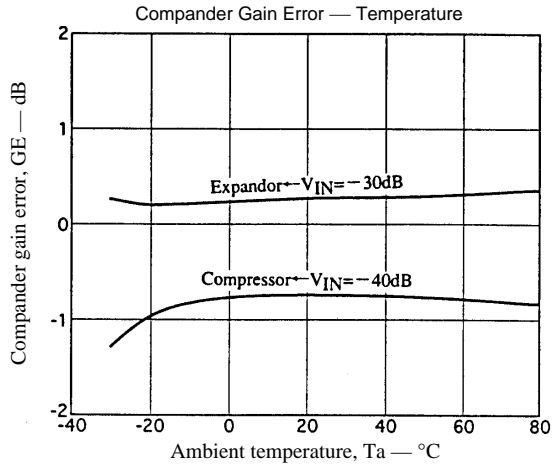
Splatter Filter Frequency Characteristics



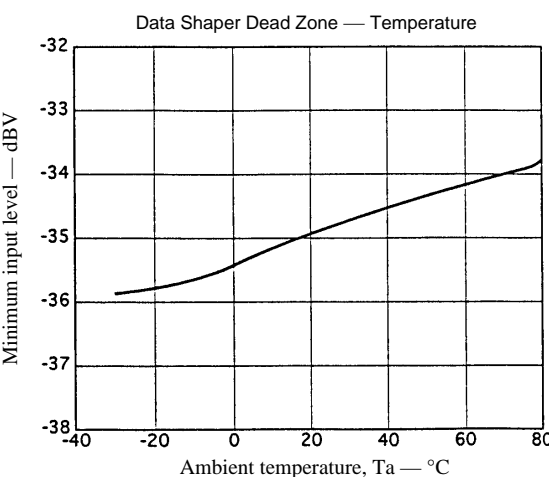
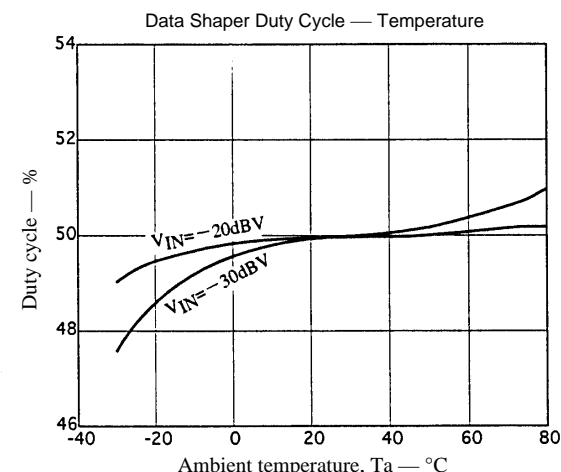
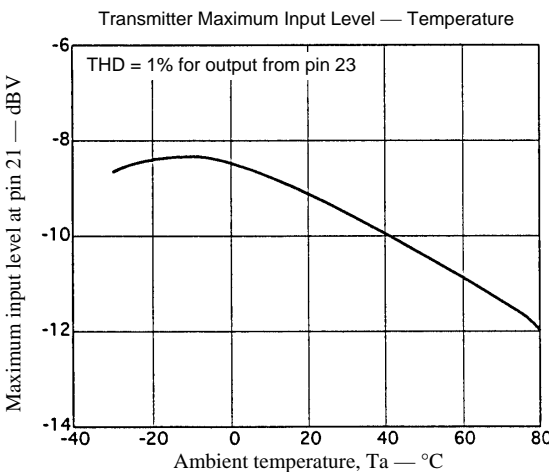
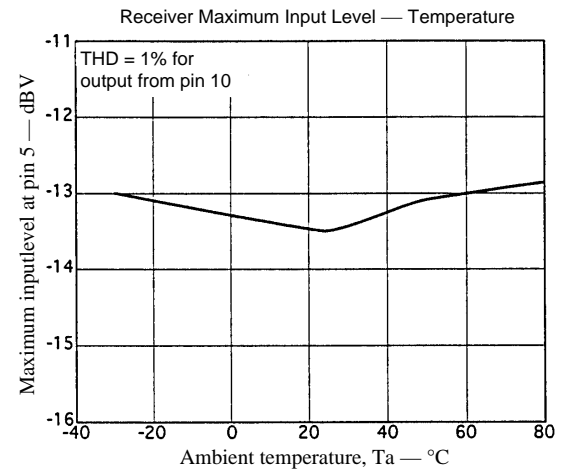
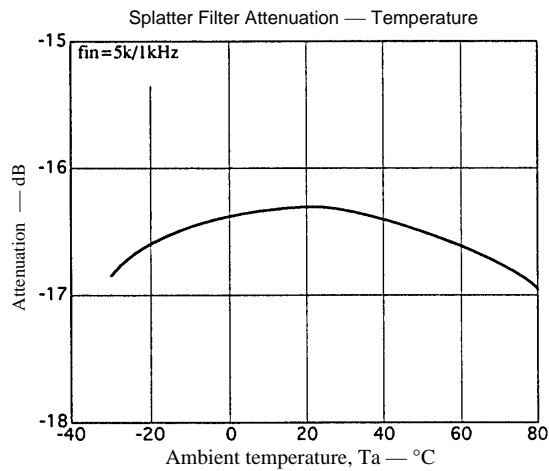
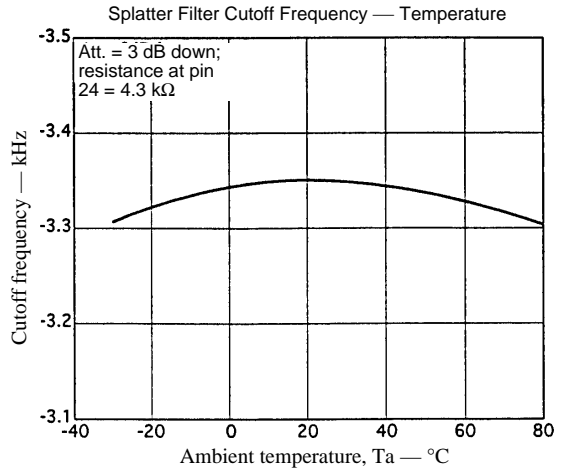
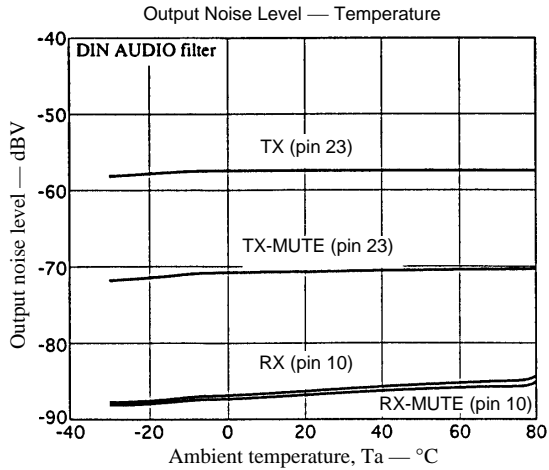


LA8638V





LA8638V



- No products described or contained herein are intended for use in surgical implants, life-support systems, aerospace equipment, nuclear power control systems, vehicles, disaster/crime-prevention equipment and the like, the failure of which may directly or indirectly cause injury, death or property loss.
- Anyone purchasing any products described or contained herein for an above-mentioned use shall:
 - ① Accept full responsibility and indemnify and defend SANYO ELECTRIC CO., LTD., its affiliates, subsidiaries and distributors and all their officers and employees, jointly and severally, against any and all claims and litigation and all damages, cost and expenses associated with such use:
 - ② Not impose any responsibility for any fault or negligence which may be cited in any such claim or litigation on SANYO ELECTRIC CO., LTD., its affiliates, subsidiaries and distributors or any of their officers and employees jointly or severally.
- Information (including circuit diagrams and circuit parameters) herein is for example only; it is not guaranteed for volume production. SANYO believes information herein is accurate and reliable, but no guarantees are made or implied regarding its use or any infringements of intellectual property rights or other rights of third parties.

This catalog provides information as of April, 1998. Specifications and information herein are subject to change without notice.