



SANYO Semiconductors

DATA SHEET

LA8160V — Monolithic Linear IC AGC Amplifier and Pre Amplifier

Overview

The LA8160V is a AGC amplifier for the digital ADC and a pre amplifier for the analog SAW filter.

Features

- $V_{CC} = 5V$
- IF Input Frequency Range 30 to 100MHz
- AGC Amplifier Gain 30dB
- AGC Gain Reduction 40dB
- AGC Amplifier Output Amplitude 2Vp-p (differential)

- Pre Amplifier Gain 29dB
- Pre Amplifier Output Amplitude 2Vp-p

Functions

- IF AGC control
- IF AGC amplifier for AD Converter
- Pre Amplifier for SAW Filter
- Function mode switch

Notes : This device is ESD sensitive. So, the device should be treated carefully.

Maximum Ratings at $T_a = 25^\circ C$

Parameter	Symbol	Conditions	Ratings	Unit
Maximum supply voltage	$V_{CC\ max}$	Pin 3, 4, 14	6.0	V
Maximum pin voltage	$V\ max_{11}$	Pin 11	6.5	V
Circuit voltages	$V\ max$	Pin 8, 9	V_{CC}	V
Circuit current	I_6	Pin 6 sink current	2	mA
	I_7	Pin 7 sink current	2	mA
Allowable power dissipation	$P_d\ max$	$T_a \leq 85^\circ C$	430*	mW
Operating temperature	T_{opr}		-20 to +85	$^\circ C$
Storage temperature	T_{stg}		-55 to +150	$^\circ C$

*On the board (60×70×1.6mm³ Double-Layers epoxy glass)

- Any and all SANYO Semiconductor products described or contained herein do not have specifications that can handle applications that require extremely high levels of reliability, such as life-support systems, aircraft's control systems, or other applications whose failure can be reasonably expected to result in serious physical and/or material damage. Consult with your SANYO Semiconductor representative nearest you before using any SANYO Semiconductor products described or contained herein in such applications.
- SANYO Semiconductor assumes no responsibility for equipment failures that result from using products at values that exceed, even momentarily, rated values (such as maximum ratings, operating condition ranges, or other parameters) listed in products specifications of any and all SANYO Semiconductor products described or contained herein.

SANYO Semiconductor Co., Ltd.

TOKYO OFFICE Tokyo Bldg., 1-10, 1 Chome, Ueno, Taito-ku, TOKYO, 110-8534 JAPAN

LA8160V

Recommended Operating Conditions at Ta = 25°C

Parameter	Symbol	Conditions	Ratings	Unit
Recommended supply voltage	V _{CC}	Pin 3, 4, 11, 14	5.0	V
Operating supply voltage range	V _{CC op}	Pin 3, 4, 11, 14	4.5 to 5.45	V

Electrical Characteristics

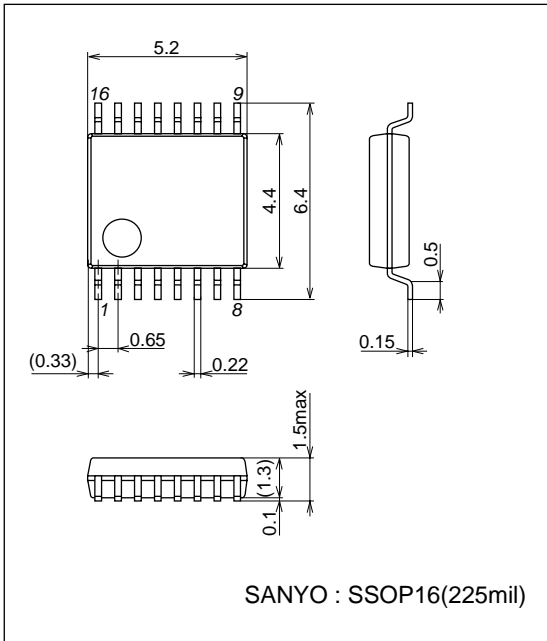
AC Characteristics at Ta = 25°C, V_{CC} = 5.0V

Parameter	Symbol	Pin No.	Conditions	Ratings			Unit	
				min	typ	max		
Input frequency range	f (in)	1, 16		*1	30		100	MHz
AGC amp section [V8 = Lo]								
AGC amp circuit current	I _{CC1}	3, 4	No signal	*1	29	39	48	mA
AGC amp maximum gain	G max	6/1, 16 7/1, 16	V ₉ = 2.5V	*1	26	30	32	dB
AGC amp noise figure	NF1	6, 7	V ₉ = 2.5V			8		dB
Intermodulation	IM3	6/1, 16 7/1, 16	V _{IN} = 30dBmV Output level = 1Vp-p	*1	45	54		dB
AGC range	GR	6/1, 16 7/1, 16	Output level < ±1dB	*1	40			dB
Output level 1	V _{O6}	6		*1		1.0		Vp-p
Output level 2	V _{O7}	7		*1		1.0		Vp-p
Maximum AGC voltage	V _{9 max}	9	Maximum gain		2.5		V _{CC}	V
LO leakage	Lp	6, 7	Lp = 6, 7/11 AGC amp gain = max	*2		-48	-40	dBc
Pre amp section [V8 = Hi]								
Pre amp. circuit current	I _{CC2}	3, 11, 14	No signal	*3	50	67	79	mA
Pre amp gain	G2	11/1, 16		*3	25	29	31	dB
Pre amp noise figure	NF2	11				8		dB
920k beat level	B920	11	P/C = 15dB, P/S = 15dB Output level = 2Vp-p	*4		-78	-74	dBc
Output level	V _{O11}	11	V _{IN} = 27dBmV	*3	1.3	2.0	2.5	Vp-p
Function switch Section								
AGC amp active	V8L	8	I3, 4, 14 = ON, I11 = OFF				0.8	V
Pre amp active	V8H	8	I4 = OFF, I3, 11, 14 = ON		2.0			V
AGC amp active	I8L	8	V8 = 0V I3, 4, 14 = ON, I11 = OFF				5	μA
	I8H	8	V8 = 5V I4 = OFF, I3, 11, 14 = ON				200	μA

*1 : Test circuit (1), *2 : Test circuit (2), *3 : Test circuit (3), *4 : Test circuit (4)

Package Dimensions

unit : mm (typ)
3107B



Pin Description

Pin Number	Description	Equivalent circuit
1 16	IF Input	<p>The equivalent circuit diagram for pins 1 and 16 shows a differential input stage. A bias voltage is applied to the non-inverting input of the first stage through a 1kΩ resistor. The inverting input of the first stage is connected to pin 1 through a 1kΩ resistor. The output of the first stage is connected to pin 16 through a feedback resistor. The output of the second stage is connected to ground through a resistor.</p>
2	AGC/Pre Amp. GND	
3	AGC/Pre Amp. V _{CC}	
4	Driver Amp. V _{CC}	
5	Driver Amp. GND	
10 12 13 15	Driver Amp. GND	
14	Driver Amp. V _{CC}	

Continued on next page.

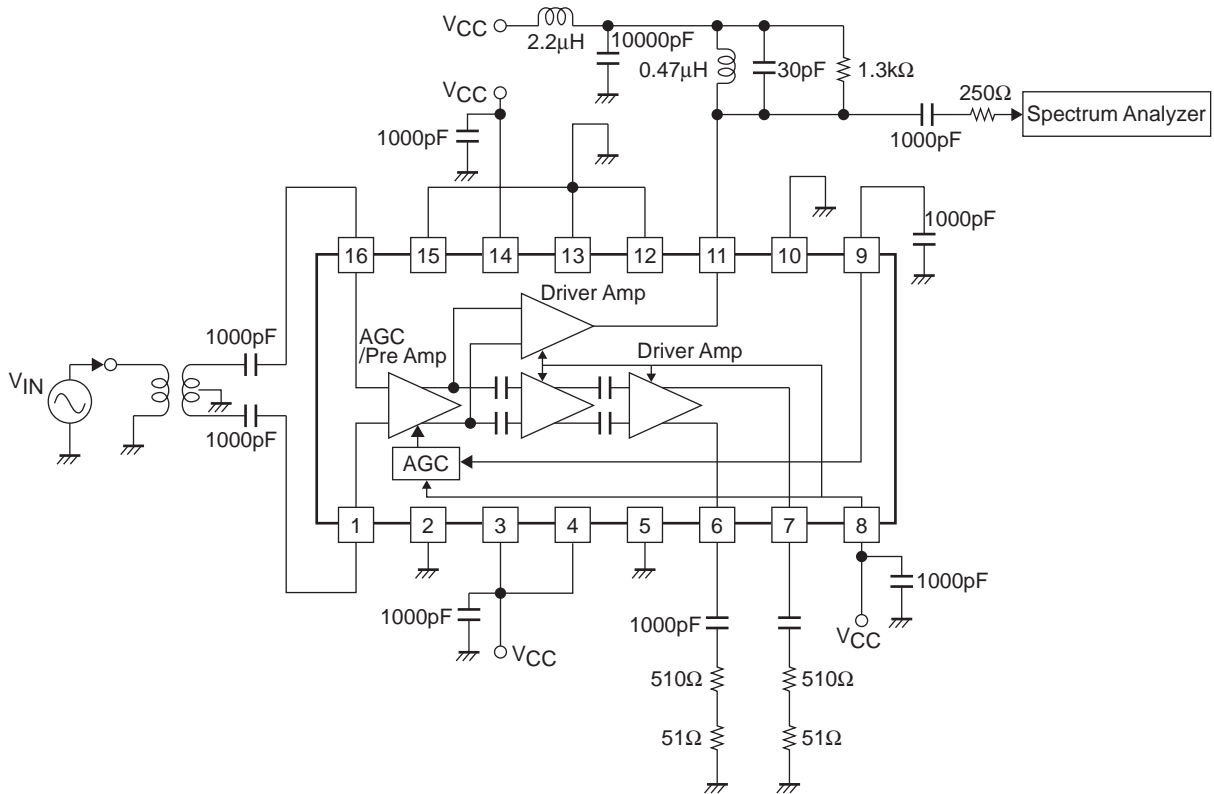
LA8160V

Continued from preceding page

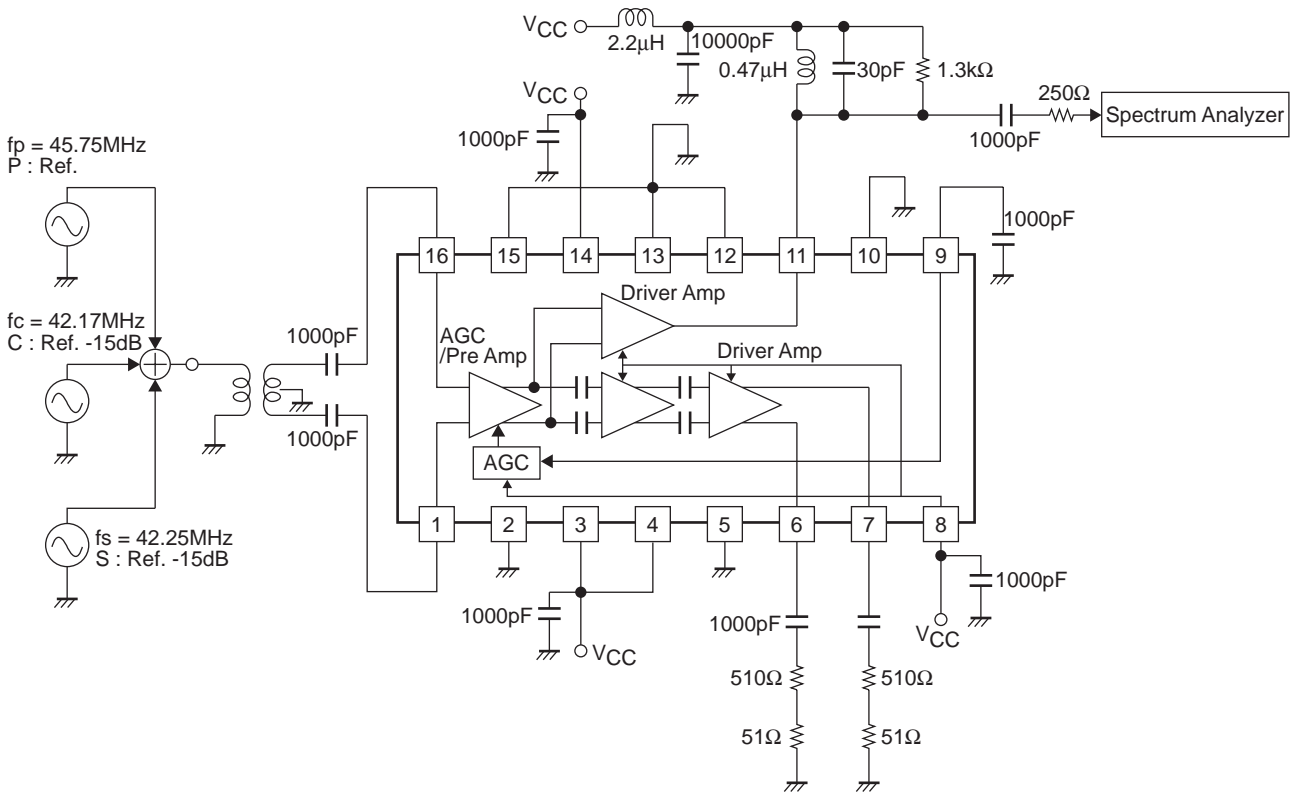
Pin Number	Description	Equivalent circuit
11	Driver Amp. Output	
6 7	Driver Amp. Output	
9	IF AGC Control	
8	Function switch	

LA8160V

Test Circuit (3)



Test Circuit (4)



- Specifications of any and all SANYO Semiconductor products described or contained herein stipulate the performance, characteristics, and functions of the described products in the independent state, and are not guarantees of the performance, characteristics, and functions of the described products as mounted in the customer's products or equipment. To verify symptoms and states that cannot be evaluated in an independent device, the customer should always evaluate and test devices mounted in the customer's products or equipment.
- SANYO Semiconductor Co., Ltd. strives to supply high-quality high-reliability products. However, any and all semiconductor products fail with some probability. It is possible that these probabilistic failures could give rise to accidents or events that could endanger human lives, that could give rise to smoke or fire, or that could cause damage to other property. When designing equipment, adopt safety measures so that these kinds of accidents or events cannot occur. Such measures include but are not limited to protective circuits and error prevention circuits for safe design, redundant design, and structural design.
- In the event that any or all SANYO Semiconductor products (including technical data, services) described or contained herein are controlled under any of applicable local export control laws and regulations, such products must not be exported without obtaining the export license from the authorities concerned in accordance with the above law.
- No part of this publication may be reproduced or transmitted in any form or by any means, electronic or mechanical, including photocopying and recording, or any information storage or retrieval system, or otherwise, without the prior written permission of SANYO Semiconductor Co., Ltd.
- Any and all information described or contained herein are subject to change without notice due to product/technology improvement, etc. When designing equipment, refer to the "Delivery Specification" for the SANYO Semiconductor product that you intend to use.
- Information (including circuit diagrams and circuit parameters) herein is for example only; it is not guaranteed for volume production. SANYO Semiconductor believes information herein is accurate and reliable, but no guarantees are made or implied regarding its use or any infringements of intellectual property rights or other rights of third parties.

This catalog provides information as of November, 2006. Specifications and information herein are subject to change without notice.