



SANYO Semiconductors

DATA SHEET

LA1654FN — Monolithic Linear IC Time Code Reception IC

Overview

The LA1654FN time code reception IC receives long-wave time standard broadcasts (such as the Japanese JJY and German DCF77 standards) and detects and outputs the time code superposed on the long-wave signal.

Applications can automatically correct their clock's time setting by using the time code received by the LA1654 FN.

Functions

- RF amplifier, rectifier, detector, time code output, and standby circuit.

Features

- Low-voltage operation (operating V_{CC} as low as 1.5V).
- Standby mode current drain less than or equal to 0.05 μ A.
Japan : JJY 40/60kHz
Germany : DCF77 77.5kHz

Specifications

Maximum Ratings at $T_a = 25^\circ\text{C}$

Parameter	Symbol	Conditions	Ratings	Unit
Maximum supply voltage	$V_{CC\text{ max}}$		5.0	V
Allowable power dissipation	$P_d\text{ max}$	$T_a \leq 70^\circ\text{C}$	10	mW
Operating temperature	T_{opr}		-20 to +70	$^\circ\text{C}$
Storage temperature	T_{stg}		-40 to +125	$^\circ\text{C}$

Operating Conditions at $T_a = 25^\circ\text{C}$

Parameter	Symbol	Conditions	Ratings			Unit
			min	typ	max	
Recommended supply voltage	V_{CC}		1.5		3.0	V
Operating supply voltage range	$V_{CC\text{ op}}$		1.1		3.6	V

■ Any and all SANYO Semiconductor products described or contained herein do not have specifications that can handle applications that require extremely high levels of reliability, such as life-support systems, aircraft's control systems, or other applications whose failure can be reasonably expected to result in serious physical and/or material damage. Consult with your SANYO Semiconductor representative nearest you before using any SANYO Semiconductor products described or contained herein in such applications.

■ SANYO Semiconductor assumes no responsibility for equipment failures that result from using products at values that exceed, even momentarily, rated values (such as maximum ratings, operating condition ranges, or other parameters) listed in products specifications of any and all SANYO Semiconductor products described or contained herein.

SANYO Semiconductor Co., Ltd.

TOKYO OFFICE Tokyo Bldg., 1-10, 1 Chome, Ueno, Taito-ku, TOKYO, 110-8534 JAPAN

LA1654FN

Operating Characteristics at $T_a = 25^\circ\text{C}$, $V_{CC} = 3.0\text{V}$

Overall Characteristics

Parameter	Symbol	Conditions	Ratings			Unit
			min	typ	max	
Quiescent current	I_{CCO}	No input, Pin15 = 0V, Pin10 = 3V	30	37	50	μA
Standby mode current drain	I_{STB}	Pin15 = 3.0V			0.05	μA

AGC Amplifier Input Characteristics

Parameter	Symbol	Conditions	Ratings			Unit
			min	typ	max	
Input impedance	Z_I	Pin1		800		$\text{k}\Omega$
Input frequency range	F_{IN}	Pin1	37.5		80.0	kHz
Minimum input voltage	V_{MIN}	Pin1 input level			1	μVrms
Maximum input voltage	V_{MAX}	Pin1 input level	100			mVrms

TCO Output Characteristics - Input signal = Pin1, $f_{in} = 40\text{kHz}$, Pin10 = 3V, Pin15 = 0V

Parameter	Symbol	Conditions	Ratings			Unit
			min	typ	max	
High-level output voltage	V_{OH}	Pin 11 output level	2.9		3.0	V
Low-level output voltage	V_{OL}	Pin 11 output level	0		0.1	V
Output pulse width (500 ms input)	T500	$V_{IN} = 0$ to 100dB μV , AM modulation (1Hz square wave, duty = 50%, 10:1 modulation)	400	520	600	ms
Output pulse width (800 ms input)	T800	$V_{IN} = 0$ to 100dB μV , AM modulation (1Hz square wave, duty = 80%, 10:1 modulation)	600	730	800	ms
Output pulse width (200 ms input)	T200	$V_{IN} = 0$ to 100dB μV , AM modulation (1Hz square wave, duty = 20%, 10:1 modulation)	200	300	400	ms

STB Control Characteristics

Parameter	Symbol	Conditions	Ratings			Unit
			min	typ	max	
Standby on voltage	V_{SH}	Pin15 DC voltage	2.9		3.0	V
Standby off voltage	V_{SL}	Pin15 DC voltage	0		0.1	V
High-level pin input current	I_{SH}	Pin15 = 3V			0.1	μA
Low-level pin input current	I_{SL}	Pin15 = 0V			0.3	μA

HOLD Control Characteristics - Pin15 = 0V

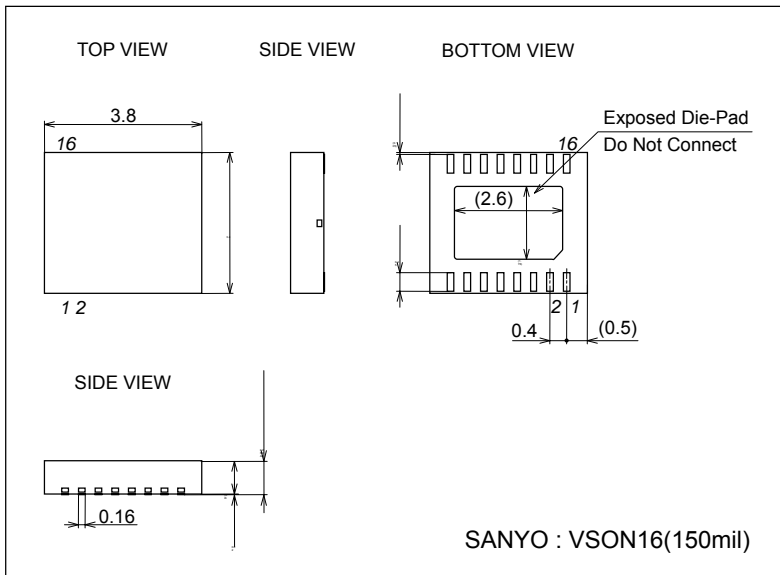
Parameter	Symbol	Conditions	Ratings			Unit
			min	typ	max	
Hold on voltage	V_{HL}	Pin10 DC voltage	0		0.1	V
Hold off voltage	V_{HH}	Pin10 DC voltage	2.9		3.0	V
High-level pin input current	I_{HH}	Pin10 = 3V			0.1	μA
Low-level pin input current	I_{HL}	Pin10 = 0V			0.3	μA

LA1654FN

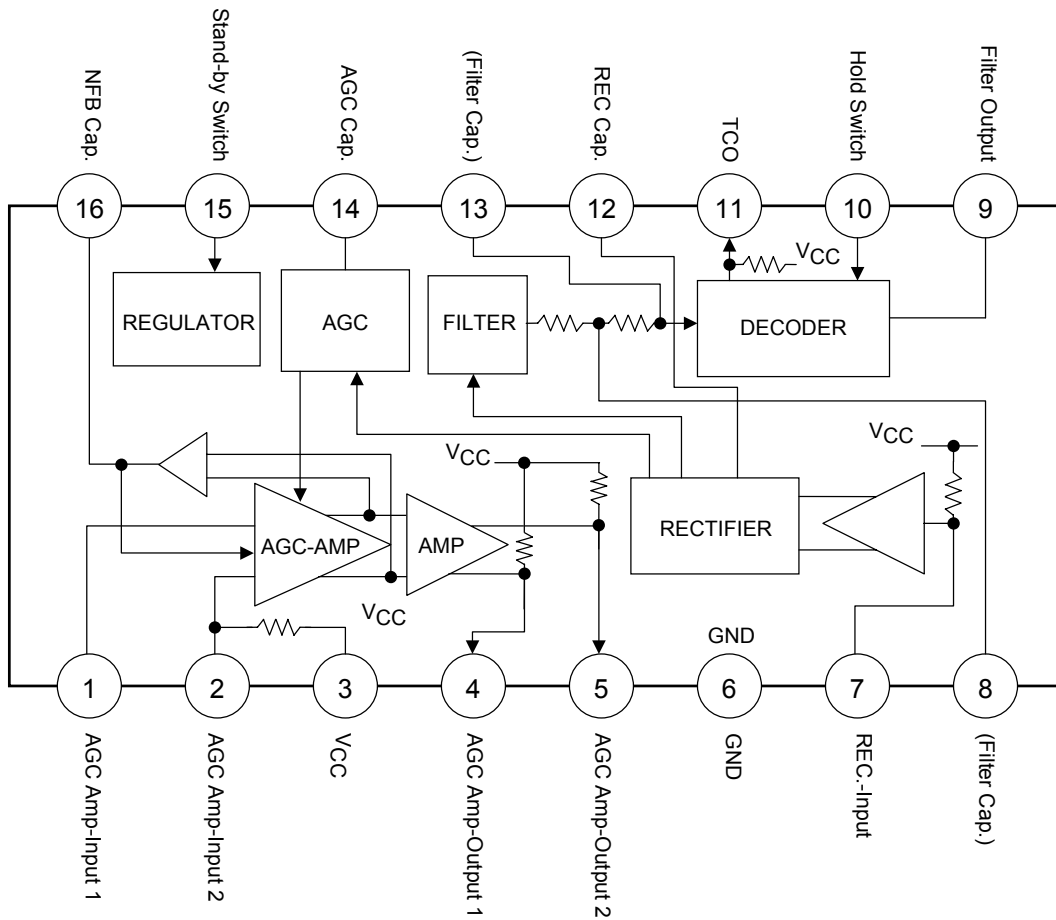
Package Dimensions

unit : mm

3319

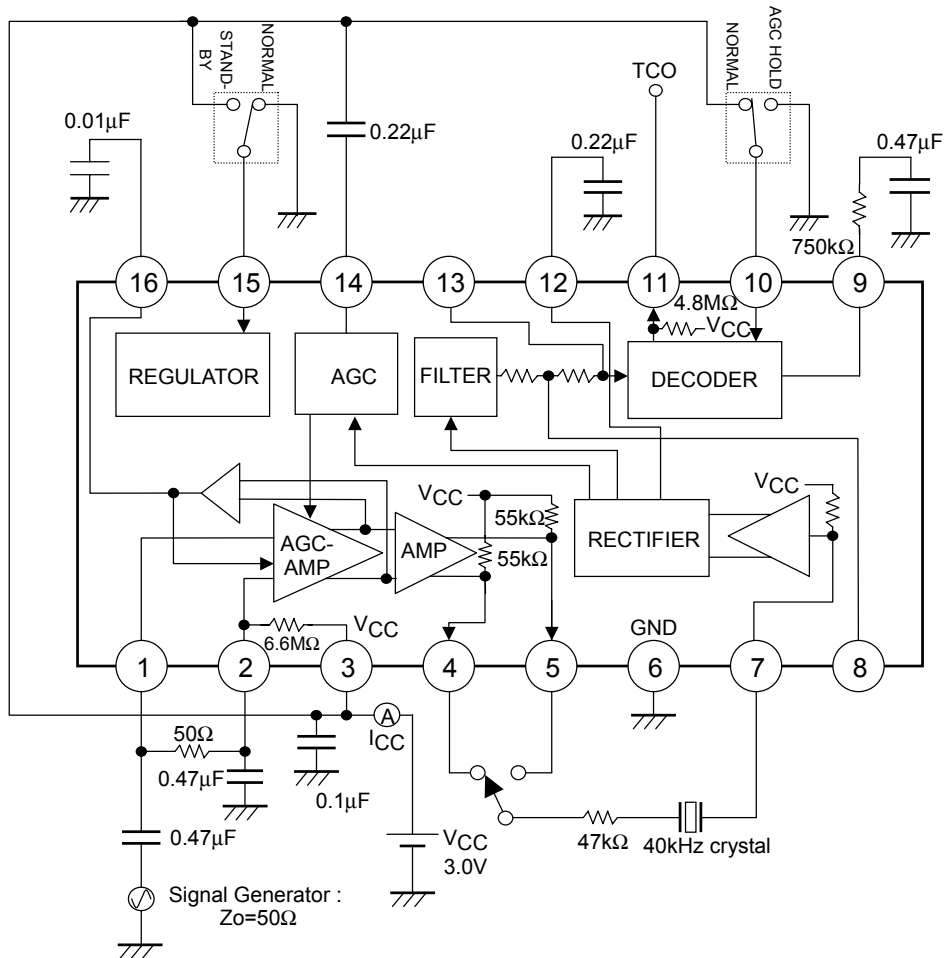


Block Diagram



PCA00623

Test Circuit Diagram



PCA00624

- Specifications of any and all SANYO Semiconductor products described or contained herein stipulate the performance, characteristics, and functions of the described products in the independent state, and are not guarantees of the performance, characteristics, and functions of the described products as mounted in the customer's products or equipment. To verify symptoms and states that cannot be evaluated in an independent device, the customer should always evaluate and test devices mounted in the customer's products or equipment.
- SANYO Semiconductor Co., Ltd. strives to supply high-quality high-reliability products. However, any and all semiconductor products fail with some probability. It is possible that these probabilistic failures could give rise to accidents or events that could endanger human lives, that could give rise to smoke or fire, or that could cause damage to other property. When designing equipment, adopt safety measures so that these kinds of accidents or events cannot occur. Such measures include but are not limited to protective circuits and error prevention circuits for safe design, redundant design, and structural design.
- In the event that any or all SANYO Semiconductor products (including technical data, services) described or contained herein are controlled under any of applicable local export control laws and regulations, such products must not be exported without obtaining the export license from the authorities concerned in accordance with the above law.
- No part of this publication may be reproduced or transmitted in any form or by any means, electronic or mechanical, including photocopying and recording, or any information storage or retrieval system, or otherwise, without the prior written permission of SANYO Semiconductor Co., Ltd.
- Any and all information described or contained herein are subject to change without notice due to product/technology improvement, etc. When designing equipment, refer to the "Delivery Specification" for the SANYO Semiconductor product that you intend to use.
- Information (including circuit diagrams and circuit parameters) herein is for example only; it is not guaranteed for volume production. SANYO Semiconductor believes information herein is accurate and reliable, but no guarantees are made or implied regarding its use or any infringements of intellectual property rights or other rights of third parties.

This catalog provides information as of January, 2006. Specifications and information herein are subject to change without notice.