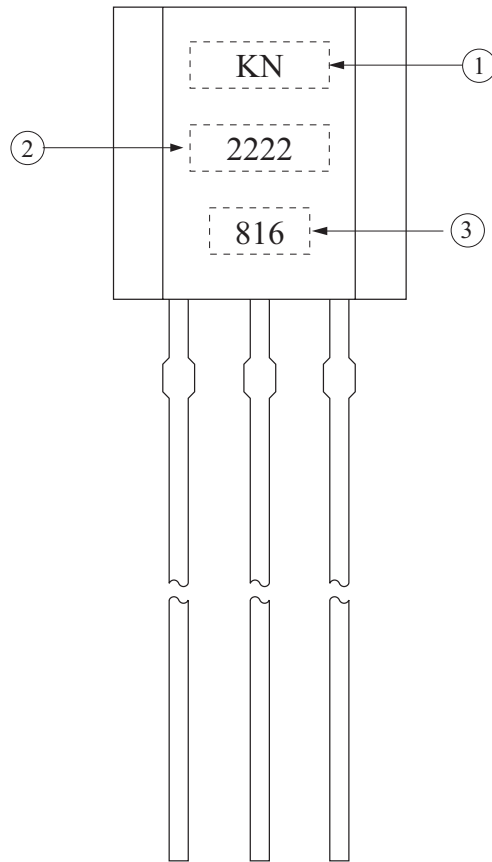


1. Marking method

Laser Marking

2. Marking



No.	Item	Marking	Description		
①	Device Name	KN	Series Name		
②		2222	Device Name		
③	Lot No.	816	8	Year	0~9 : 1900~1999
			16	Week	16 : 16th Week