

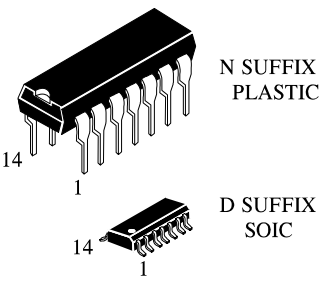
### KK74HC74A

## Dual D Flip-Flop with Set and Reset

The KK74HC74A is identical in pinout to the LS/ALS74. The device inputs are compatible with standard CMOS outputs; with pullup resistors, they are compatible with LS/ALSTTL outputs.

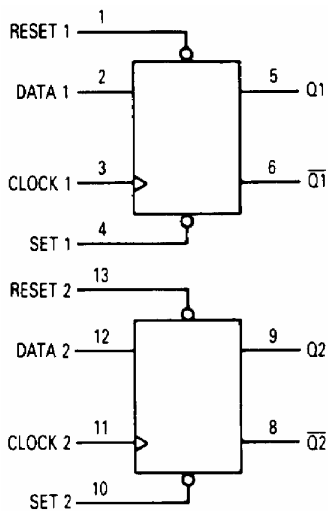
This device consists of two D flip-flops with individual Set, Reset, and Clock inputs. Information at a D-input is transferred to the corresponding Q output on the next positive going edge of the clock input. Both Q and  $\bar{Q}$  outputs are available from each flip-flop. The Set and Reset inputs are asynchronous.

- Outputs Directly Interface to CMOS, NMOS, and TTL
- Operating Voltage Range: 2.0 to 6.0 V
- Low Input Current: 1.0  $\mu$ A
- High Noise Immunity Characteristic of CMOS Devices



**ORDERING INFORMATION**  
 KK74HC74AN Plastic  
 KK74HC74AD SOIC  
 $T_A = -55^\circ$  to  $125^\circ$  C for all packages

### LOGIC DIAGRAM



PIN 14 =  $V_{CC}$   
 PIN 7 = GND

### PIN ASSIGNMENT

|            |   |    |            |
|------------|---|----|------------|
| RESET 1    | 1 | 14 | $V_{CC}$   |
| DATA 1     | 2 | 13 | RESET 2    |
| CLOCK 1    | 3 | 12 | DATA 2     |
| SET 1      | 4 | 11 | CLOCK 2    |
| Q1         | 5 | 10 | SET 2      |
| $\bar{Q}1$ | 6 | 9  | Q2         |
| GND        | 7 | 8  | $\bar{Q}2$ |

### FUNCTION TABLE

| Inputs |       |       |      | Outputs   |           |
|--------|-------|-------|------|-----------|-----------|
| Set    | Reset | Clock | Data | Q         | $\bar{Q}$ |
| L      | H     | X     | X    | H         | L         |
| H      | L     | X     | X    | L         | H         |
| L      | L     | X     | X    | H*        | H*        |
| H      | H     |       | H    | H         | L         |
| H      | H     |       | L    | L         | H         |
| H      | H     | L     | X    | No Change |           |
| H      | H     | H     | X    | No Change |           |
| H      | H     |       | X    | No Change |           |

\*Both outputs will remain high as long as Set and Reset are low, but the output states are unpredictable if Set and Reset go high simultaneously.  
 X = don't care

**MAXIMUM RATINGS\***

| Symbol           | Parameter  | Value                        | Unit |
|------------------|--|------------------------------|------|
| V <sub>CC</sub>  | DC Supply Voltage (Referenced to GND)  | -0.5 to +7.0                 | V    |
| V <sub>IN</sub>  | DC Input Voltage (Referenced to GND)   | -1.5 to V <sub>CC</sub> +1.5 | V    |
| V <sub>OUT</sub> | DC Output Voltage (Referenced to GND)  | -0.5 to V <sub>CC</sub> +0.5 | V    |
| I <sub>IN</sub>  | DC Input Current, per Pin  | ±20                          | mA   |
| I <sub>OUT</sub> | DC Output Current, per Pin   | ±25                          | mA   |
| I <sub>CC</sub>  | DC Supply Current, V <sub>CC</sub> and GND Pins                                  | ±50                          | mA   |
| P <sub>D</sub>   | Power Dissipation in Still Air, Plastic DIP**<br>SOIC Package**                  | 750<br>500                   | mW   |
| T <sub>stg</sub> | Storage Temperature  | -65 to +150                  | °C   |
| T <sub>L</sub>   | Lead Temperature, 1 mm from Case for 10 Seconds<br>(Plastic DIP or SOIC Package) | 260                          | °C   |

\*Maximum Ratings are those values beyond which damage to the device may occur. Functional operation should be restricted to the Recommended Operating Conditions.

\*\*Derating - Plastic DIP: - 10 mW/°C from 65° to 125°C  
SOIC Package: : - 7 mW/°C from 65° to 125°C

**RECOMMENDED OPERATING CONDITIONS**

| Symbol                             | Parameter  | Min | Max             | Unit |
|------------------------------------|--|-----|-----------------|------|
| V <sub>CC</sub>                    | DC Supply Voltage (Referenced to GND)                | 2.0 | 6.0             | V    |
| V <sub>IN</sub> , V <sub>OUT</sub> | DC Input Voltage, Output Voltage (Referenced to GND) | 0   | V <sub>CC</sub> | V    |
| T <sub>A</sub>                     | Operating Temperature, All Package Types             | -55 | +125            | °C   |
| t <sub>r</sub> , t <sub>f</sub>    | Input Rise and Fall Time (Figure 1)                  |     |                 |      |
|                                    | V <sub>CC</sub> = 2.0 V                              | 0   | 1000            | ns   |
|                                    | V <sub>CC</sub> = 4.5 V                              | 0   | 500             |      |
|                                    | V <sub>CC</sub> = 6.0 V                              | 0   | 400             |      |

This device contains protection circuitry to guard against damage due to high static voltages or electric fields. However, precautions must be taken to avoid applications of any voltage higher than maximum rated voltages to this high-impedance circuit. For proper operation, V<sub>IN</sub> and V<sub>OUT</sub> should be constrained to the range GND ≤ (V<sub>IN</sub> or V<sub>OUT</sub>) ≤ V<sub>CC</sub>.

Unused inputs must always be tied to an appropriate logic voltage level (e.g., either GND or V<sub>CC</sub>). Unused outputs must be left open.

**DC ELECTRICAL CHARACTERISTICS** (Voltages Referenced to GND)

| Symbol          | Parameter                                      | Test Conditions   | V <sub>CC</sub><br>V | Guaranteed Limit     |           |            | Unit |
|-----------------|--|---|----------------------|----------------------|-----------|------------|------|
|                 |  |   |                      | 25 °C<br>to<br>-55°C | ≤85<br>°C | ≤125<br>°C |      |
| V <sub>IH</sub> | Minimum High-Level Input Voltage               | V <sub>OUT</sub> =0.1 V or V <sub>CC</sub> -0.1 V<br>  I <sub>OUT</sub>   ≤ 20 μA                                     | 2.0                  | 1.5                  | 1.5       | 1.5        | V    |
|                 |  |   | 4.5                  | 3.15                 | 3.15      | 3.15       |      |
|                 |  |   | 6.0                  | 4.2                  | 4.2       | 4.2        |      |
| V <sub>IL</sub> | Maximum Low - Level Input Voltage              | V <sub>OUT</sub> =0.1 V or V <sub>CC</sub> -0.1 V<br>  I <sub>OUT</sub>   ≤ 20 μA                                     | 2.0                  | 0.5                  | 0.5       | 0.5        | V    |
|                 |  |   | 4.5                  | 1.35                 | 1.35      | 1.35       |      |
|                 |  |   | 6.0                  | 1.8                  | 1.8       | 1.8        |      |
| V <sub>OH</sub> | Minimum High-Level Output Voltage              | V <sub>IN</sub> =V <sub>IH</sub> or V <sub>IL</sub><br>  I <sub>OUT</sub>   ≤ 20 μA                                   | 2.0                  | 1.9                  | 1.9       | 1.9        | V    |
|                 |  |   | 4.5                  | 4.4                  | 4.4       | 4.4        |      |
|                 |  | V <sub>IN</sub> =V <sub>IH</sub> or V <sub>IL</sub><br>  I <sub>OUT</sub>   ≤ 4.0 mA<br>  I <sub>OUT</sub>   ≤ 5.2 mA | 4.5                  | 3.98                 | 3.84      | 3.7        |      |
|                 |  |   | 6.0                  | 5.48                 | 5.34      | 5.2        |      |
| V <sub>OL</sub> | Maximum Low-Level Output Voltage               | V <sub>IN</sub> =V <sub>IH</sub> or V <sub>IL</sub><br>  I <sub>OUT</sub>   ≤ 20 μA                                   | 2.0                  | 0.1                  | 0.1       | 0.1        | V    |
|                 |  |   | 4.5                  | 0.1                  | 0.1       | 0.1        |      |
|                 |  | V <sub>IN</sub> =V <sub>IH</sub> or V <sub>IL</sub><br>  I <sub>OUT</sub>   ≤ 4.0 mA<br>  I <sub>OUT</sub>   ≤ 5.2 mA | 4.5                  | 0.26                 | 0.33      | 0.4        |      |
|                 |  |   | 6.0                  | 0.26                 | 0.33      | 0.4        |      |
| I <sub>IN</sub> | Maximum Input Leakage Current                  | V <sub>IN</sub> =V <sub>CC</sub> or GND   | 6.0                  | ±0.1                 | ±1.0      | ±1.0       | μA   |
| I <sub>CC</sub> | Maximum Quiescent Supply Current (per Package) | V <sub>IN</sub> =V <sub>CC</sub> or GND<br>I <sub>OUT</sub> =0μA  | 6.0                  | 2.0                  | 20        | 80         | μA   |

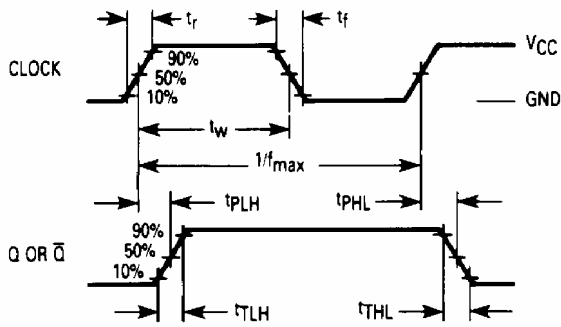
**AC ELECTRICAL CHARACTERISTICS** ( $C_L=50\text{pF}$ , Input  $t_r=t_f=6.0\text{ ns}$ )

| Symbol                              | Parameter  | V <sub>CC</sub><br>V | Guaranteed Limit     |       |        | Unit |
|-------------------------------------|--|----------------------|----------------------|-------|--------|------|
|                                     |  |                      | 25 °C<br>to<br>-55°C | ≤85°C | ≤125°C |      |
| f <sub>max</sub>                    | Maximum Clock Frequency (50% Duty Cycle)<br>(Figures 1 and 4)                  | 2.0                  | 6.0                  | 4.8   | 4.0    | MHz  |
|                                     |  | 4.5                  | 30                   | 24    | 20     |      |
|                                     |  | 6.0                  | 35                   | 28    | 24     |      |
| t <sub>PLH</sub> , t <sub>PHL</sub> | Maximum Propagation Delay, Clock to Q or $\bar{Q}$<br>(Figures 1 and 4)        | 2.0                  | 100                  | 125   | 150    | ns   |
|                                     |  | 4.5                  | 20                   | 25    | 30     |      |
|                                     |  | 6.0                  | 17                   | 21    | 26     |      |
| t <sub>PLH</sub> , t <sub>PHL</sub> | Maximum Propagation Delay, Set or Reset to Q or $\bar{Q}$<br>(Figures 2 and 4) | 2.0                  | 105                  | 130   | 160    | ns   |
|                                     |  | 4.5                  | 21                   | 26    | 32     |      |
|                                     |  | 6.0                  | 18                   | 22    | 27     |      |
| t <sub>TLH</sub> , t <sub>THL</sub> | Maximum Output Transition Time, Any Output<br>(Figures 1 and 4)                | 2.0                  | 75                   | 95    | 110    | ns   |
|                                     |  | 4.5                  | 15                   | 19    | 22     |      |
|                                     |  | 6.0                  | 13                   | 16    | 19     |      |
| C <sub>IN</sub>                     | Maximum Input Capacitance  | -                    | 10                   | 10    | 10     | pF   |

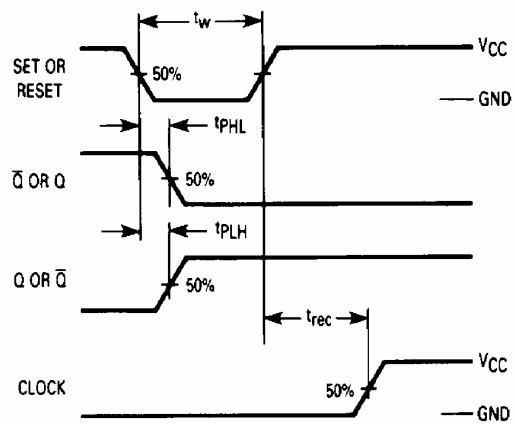
|                 |   |                                       |  |  |    |
|-----------------|---|---------------------------------------|--|--|----|
| C <sub>PD</sub> | Power Dissipation Capacitance (Per Flip-Flop)<br>Used to determine the no-load dynamic power consumption:<br>$P_D=C_{PD}V_{CC}^2f+I_{CC}V_{CC}$ | Typical @25°C, V <sub>CC</sub> =5.0 V |  |  | pF |
|                 |   | 39                                    |  |  |    |

**TIMING REQUIREMENTS** ( $C_L=50\text{pF}$ , Input  $t_r=t_f=6.0\text{ ns}$ )

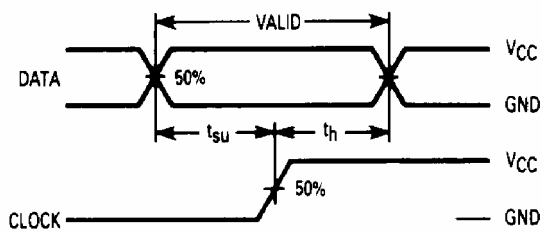
| Symbol                          | Parameter   | V <sub>CC</sub><br>V | Guaranteed Limit     |       |        | Unit |
|---------------------------------|---|----------------------|----------------------|-------|--------|------|
|                                 |   |                      | 25 °C<br>to<br>-55°C | ≤85°C | ≤125°C |      |
| t <sub>su</sub>                 | Minimum Setup Time, Data to Clock (Figure 3)                        | 2.0                  | 80                   | 100   | 120    | ns   |
|                                 |   | 4.5                  | 16                   | 20    | 24     |      |
|                                 |   | 6.0                  | 14                   | 17    | 20     |      |
| t <sub>h</sub>                  | Minimum Hold Time, Clock to Data (Figure 3)                         | 2.0                  | 3.0                  | 3.0   | 3.0    | ns   |
|                                 |   | 4.5                  | 3.0                  | 3.0   | 3.0    |      |
|                                 |   | 6.0                  | 3.0                  | 3.0   | 3.0    |      |
| t <sub>rec</sub>                | Minimum Recovery Time, Set or Reset Inactive to<br>Clock (Figure 2) | 2.0                  | 8.0                  | 8.0   | 8.0    | ns   |
|                                 |   | 4.5                  | 8.0                  | 8.0   | 8.0    |      |
|                                 |   | 6.0                  | 8.0                  | 8.0   | 8.0    |      |
| t <sub>w</sub>                  | Minimum Pulse Width, Clock (Figure 1)                               | 2.0                  | 60                   | 75    | 90     | ns   |
|                                 |   | 4.5                  | 12                   | 15    | 18     |      |
|                                 |   | 6.0                  | 10                   | 13    | 15     |      |
| t <sub>w</sub>                  | Minimum Pulse Width, Set or Reset (Figure 2)                        | 2.0                  | 60                   | 75    | 90     | ns   |
|                                 |   | 4.5                  | 12                   | 15    | 18     |      |
|                                 |   | 6.0                  | 10                   | 13    | 15     |      |
| t <sub>r</sub> , t <sub>f</sub> | Maximum Input Rise and Fall Times (Figure 1)                        | 2.0                  | 1000                 | 1000  | 1000   | ns   |
|                                 |   | 4.5                  | 500                  | 500   | 500    |      |
|                                 |   | 6.0                  | 400                  | 400   | 400    |      |



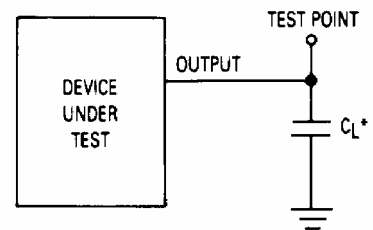
**Figure 1. Switching Waveform**



**Figure 2. Switching Waveform**



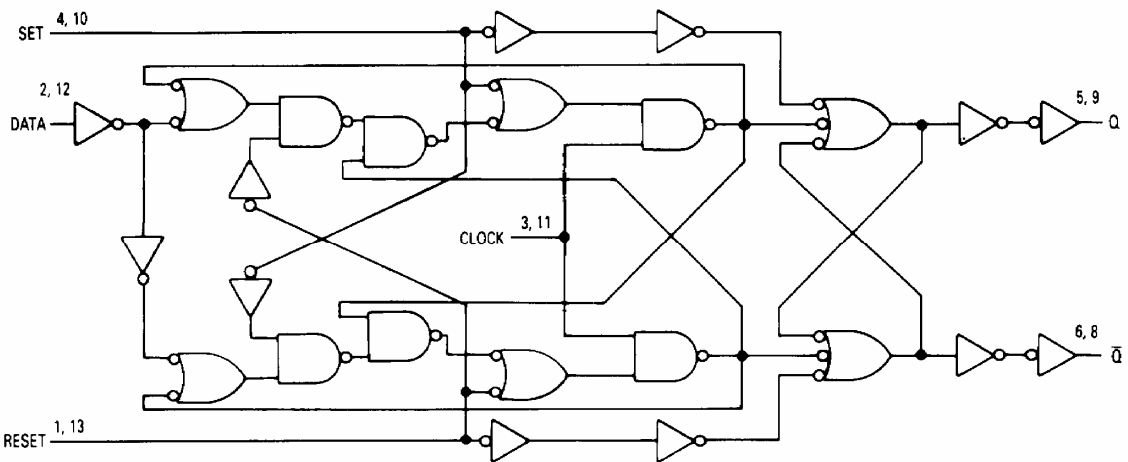
**Figure 3. Switching Waveform**



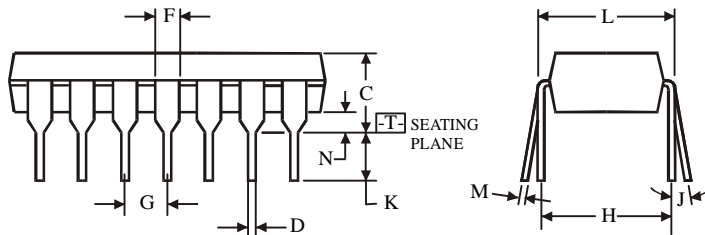
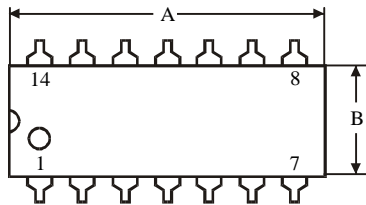
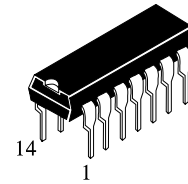
\*Includes all probe and jig capacitance

**Figure 4. Test Circuit**

**EXPANDED LOGIC DIAGRAM**



**N SUFFIX PLASTIC DIP  
(MS - 001AA)**



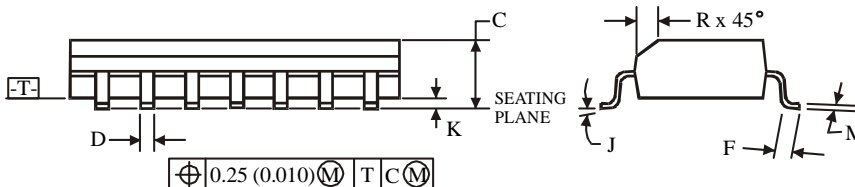
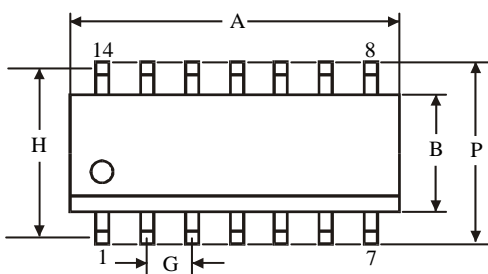
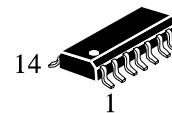
$\oplus 0.25 (0.010) \text{ (M) T}$

**NOTES:**

- Dimensions "A", "B" do not include mold flash or protrusions.  
Maximum mold flash or protrusions 0.25 mm (0.010) per side.

| Symbol | Dimension, mm |       |
|--------|---------------|-------|
|        | MIN           | MAX   |
| A      | 18.67         | 19.69 |
| B      | 6.1           | 7.11  |
| C      |               | 5.33  |
| D      | 0.36          | 0.56  |
| F      | 1.14          | 1.78  |
| G      | 2.54          |       |
| H      | 7.62          |       |
| J      | 0°            | 10°   |
| K      | 2.92          | 3.81  |
| L      | 7.62          | 8.26  |
| M      | 0.2           | 0.36  |
| N      | 0.38          |       |

**D SUFFIX SOIC  
(MS - 012AB)**



$\oplus 0.25 (0.010) \text{ (M) T C (M)}$

**NOTES:**

- Dimensions A and B do not include mold flash or protrusion.
- Maximum mold flash or protrusion 0.15 mm (0.006) per side for A; for B - 0.25 mm (0.010) per side.

| Symbol | Dimension, mm |      |
|--------|---------------|------|
|        | MIN           | MAX  |
| A      | 8.55          | 8.75 |
| B      | 3.8           | 4    |
| C      | 1.35          | 1.75 |
| D      | 0.33          | 0.51 |
| F      | 0.4           | 1.27 |
| G      | 1.27          |      |
| H      | 5.27          |      |
| J      | 0°            | 8°   |
| K      | 0.1           | 0.25 |
| M      | 0.19          | 0.25 |
| P      | 5.8           | 6.2  |
| R      | 0.25          | 0.5  |