



Analog, Mixed-Signal and Power Management

# MC06XS4200

## Dual 24 V, 6.0 mOhm High Side Switch

### Overview

The MC06XS4200 device is part of a 24 V high side switch product family with integrated control, and a high number of protective and diagnostic functions. It is designed for truck, bus, and industrial applications. The low  $R_{DS(ON)}$  channels (<6.0 m $\Omega$ ) can control different load types; bulb lamps, solenoids, or DC motors.

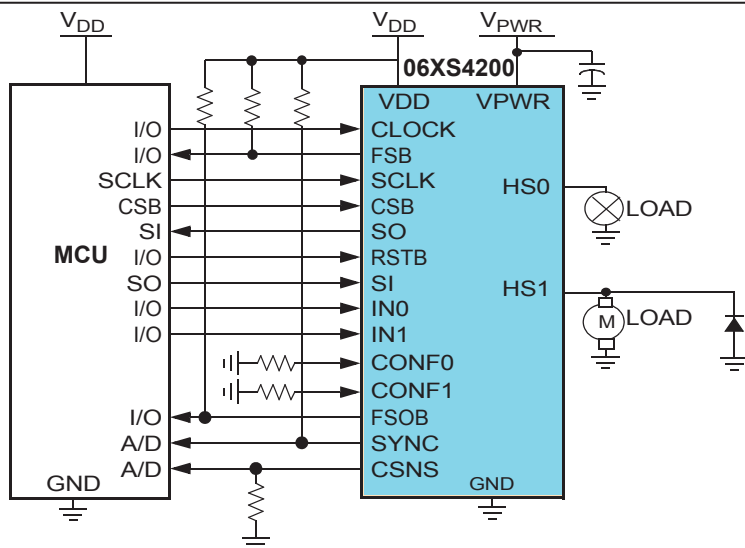
Control, device configuration, and diagnostics are performed through a 16-bit serial peripheral interface (SPI), allowing easy integration into existing applications. Both channels can be controlled individually by external or internal clock signals, or by direct inputs. Using the internal clock allows fully autonomous device operation. Programmable output voltage slew-rates (individually programmable) help improve electromagnetic compatibility (EMC) performance.

To avoid shutting off the device due to inrush current, while still being able to closely track the load current, a dynamic over-current threshold profile is featured. Switching current of each channel can be sensed with a programmable sensing ratio. Whenever communication with the external microcontroller is lost, the device enters a Fail-safe operation mode, but remains operational, controllable, and protected.

### Applications

- Automotive (12 V system)
- Truck, Bus, industrial vehicles (24 V system)
- Low voltage automotive lighting
- Halogen bulbs
- Light-emitting diodes (LEDs)
- Low and High beam
- Flashers
- Low voltage industrial lighting

### MC06XS4200 Simplified Application Diagram



## Features

---

- Two fully-protected 6.0 mΩ (@ 25 °C) high side switches
- Up to 9.0 A steady state current perchannel
- Separate bulb and DC motor latched over-current handling
- Fail-safe mode when microcontroller communication is lost
- Sleep mode with minimal supply current (< 10µA @ 24 V)
- Parallel output operating mode with improved switching synchronization
- Individually programmable internal/external PWM clock signals
- Over-current, short-circuit, and over-temperature protection with programmable autoretry functions
- Accurate temperature and current sensing
- Open-load detection (channel in OFF & ON state), also for LED applications (7.0 mA typ.)
- Normal operating range: 8.0 to 36 V, extended range: 6.0 to 58 V
- 3.3 V and 5.0 V compatible 16-bit SPI port for device control, configuration and diagnostics at rates up to 8.0 MHz

## Benefits

---

- Offer an intelligent high-side switch for 24 V truck and bus applications
- Allow decentralized lighting management (autonomous operation)
- Provide a high number of protective and diagnostic functions
- Allow to drive bulb lamps (Tungsten filament), LED lights and DC-motors
- Guarantee full functional and electrical compatibility between family members
- Offer a 16-bit SPI interface for daisy chaining multiple devices
- Allows multiple channel & device current sensing with only one precision resistor

## Questions

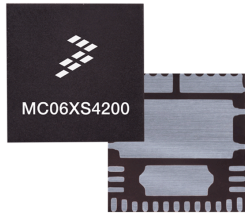
- Does your application require high lifetime expectancy (over 30,000 hrs) or 1.5 million km?
- Do you need to improve your application robustness with respect to wear out mechanisms?
- Do you have a need to drive higher nominal and transient voltages?
- Do you have a need to drive higher nominal load currents?
- Does your system require Fail-safe operation?
- Do you need pulse-width modulation (PWM) for load protection/control and efficiency?
- Do you need a device that can report Diagnostics (opens, shorts, over current, over temperature, etc.)?
- Do you have a need to reduce cost, size, weight and improve efficiency?

## Performance

Parametric	Typical Values
# of Outputs	2
$R_{DS(ON)}$ @ 25 °C	Dual 6 mΩ
Operating Voltage	8 to 36 V
Extended Operating Range	6 to 58 V
Peak Current	90 A
ESD	± 8.0 kV power I/Os ± 2.0 kV digital I/Os
Ambient Operating Temperature ( $T_A$ )	- 40 °C < $T_A$ < 125 °C
Junction Operating Temperature ( $T_J$ )	- 40 °C < $T_J$ < 150 °C

## Protection

Protection	Detect	Shut Down	Auto Retry	Status Reporting
Short-circuit	•	•		•
Over-temperature	•	•	•	•
Over-current	•	•	•	•
Over-voltage	•			•
Under-voltage	•	•	•	•
Open Load Detect	•			•
Load Shorted to Battery	•			•



98ASA00428D  
23 PIN PQFN (12 X12 mm)

### Orderable Part Numbers

Part Number	Temp Range (Ambient)	Package
MC06XS4200FK	-40 to +125 °C	23 PQFN

Note: Add R2 Suffix for Tape and Reel

### Development Tools

Part Number	Description
KIT06XS4200EVBE	Evaluation Board - Contact Freescale Sales

### Documentation

Document Number	Title	Description
MC06XS4200	Dual 24 V, 6 mΩ High Side Switch	Data Sheet
SG1002	Analog, Mixed Signal and Power Management	Selector Guide
SG187	Automotive	Selector Guide
AN2467	Power Quad Flat No-Lead (PQFN) Package Application Note	Application Note
AN4473	Compact Thermal Model Application Note	Application Note
AN4474	EMC and Fast Transient Pulses Performances Application Note	Application Note
AN4516	IBIS Model Application Note	Application Note

### Freescal e: A Leader in Automotive Solutions

Expanding on its more than 30-year heritage of automotive innovation and its high-performance products, Freescal e's solutions are designed with the right combination of high-performance capability, processing capacity and customizable software to help deliver smart, differentiated automotive solutions. With Analog, Mixed Signal, and Power parts, our vision is to offer a diverse and differentiated product portfolio to meet the expanding needs of the automotive, consumer and industrial segments. Freescal e solutions offer ideal blends of functionality and intelligence designed to help our customers differentiate and win in highly competitive markets.

For more information, visit [freescale.com](http://freescale.com)



Freescal e and the Freescal e logo are trademarks of Freescal e Semiconductor, Inc., Reg. U.S. Pat. & Tm. Off. All other product or service names are the property of their respective owners. © 2012 Freescal e Semiconductor, Inc.

Document Number: MC06XS4200FS REV 3.0