

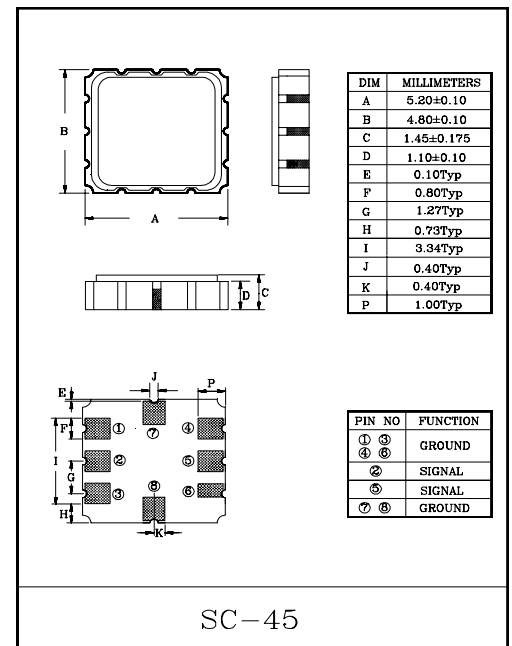
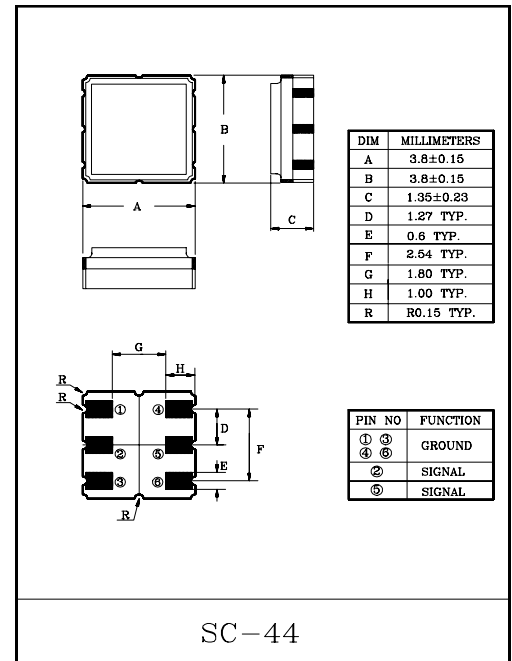
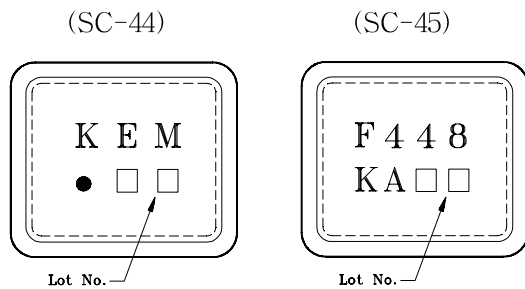
Band pass filters for the receiving RF circuits of transceiver

- High stability and reliability with good performance and no adjustment.
- Wide and sharp pass band characteristics.
- Low insertion loss and deep stop band attenuation for interference.
- Terminating Impedance :  $50\Omega//0pF$
- KF448AS(SC-45), KF448AV(SC-44).
- DIP(F-11) Package Type : KF448A
- $150\Omega//0pF$  Terminating Impedance Type : KF448BS/BV.

MAXIMUM RATINGS ( $T_a=25^\circ C$ )

ITEM	SYMBOL	RATING	UNIT
Input Signal Level	$IS_{max}$	0	dBm
DC Permissive Voltage	$V_{DC}$	+10	V
Operating Temperature Range	$T_{opr}$	-20~+60	$^\circ C$
Storage Temperature Range	$T_{stg}$	-30~+85	$^\circ C$

### MARKING



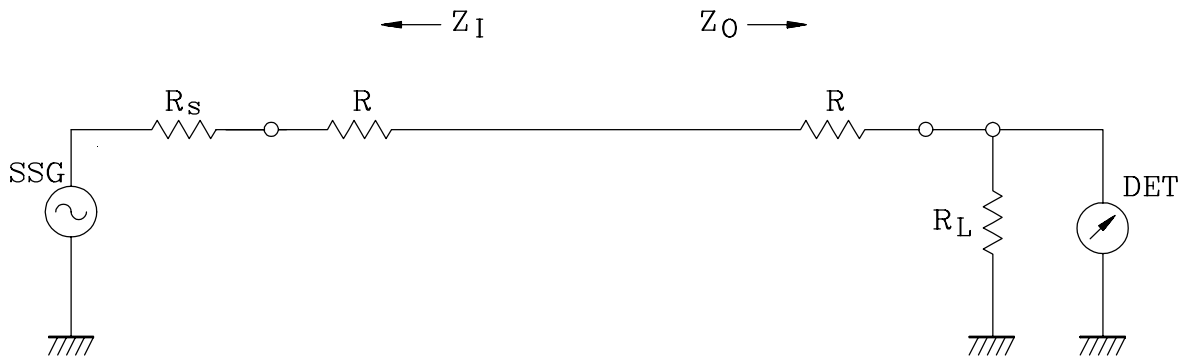
ELECTRICAL CHARACTERISTICS (Temperature  $20\pm 2^\circ C$ , Humidity  $65\pm 5\%$ )

ITEMS	SYMBOL	TEST CONDITION	MIN.	TYP.	MAX.	UNIT
Nominal Center Frequency	$f_0$	-	-	448	-	MHz
Bandwidth	$BW_{3dB}$	-	$f_0\pm 2.0$	-	-	MHz
Insertion Loss	$IL_{PASS}$	$f_0\pm 2.0MHz$	-	-	4.0	dB
Ripple Level	$A_{RIP}$	$f_0\pm 2.0MHz$	-	-	2.0	dB
Rejection Level	$IL_{STOP}$	$f_0-44.8\sim f_0-40.8MHz$	50	-	-	dB
		$f_0+40.8\sim f_0+44.8MHz$	45	-	-	dB
Input/Output Impedance	$Z_I(Z_O)$	-	-	$50\Omega//0pF$	-	-

# KF448AS/AV

## TEST CIRCUIT

### REFERENCE LEVEL TEST CIRCUIT

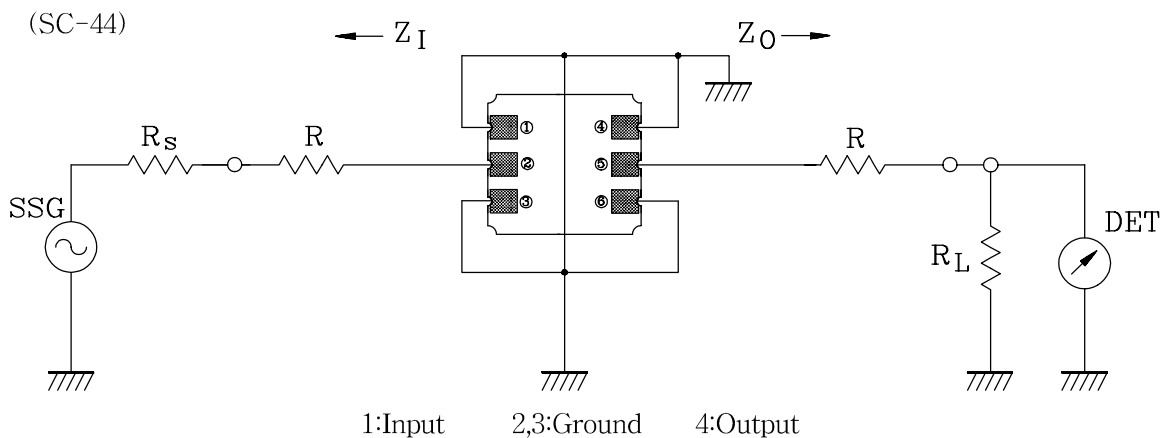


$R_s, R_L : 50\Omega$  (Internal Impedance of Source and Load)

$R : 0\Omega$

$$Z_I(Z_O) = R_s(R_L) + R$$

### MEASUREMENT CIRCUIT



$R_s, R_L : 50\Omega$  (Internal Impedance of Source and Load)

$R : 0\Omega$

$$Z_I(Z_O) = R_s(R_L) + R$$

