

DEVICE
PERFORMANCE
SPECIFICATION

KODAK KAC-1310

Image Sensor

1280 (H) x 1024 (V)
SXGA CMOS Image Sensor

November 7, 2002
Revision 4

TABLE OF CONTENTS

TABLE OF FIGURES	3	TIMING	31
LIST OF TABLES	3	START OF ROW READOUT (SOF)	31
SUMMARY SPECIFICATION	5	HORIZONTAL DATA SYNC (VCLK)	31
PIN DEFINITIONS	6	DATA VALID (HCLK).....	31
RECOMMENDED HARDWARE FOR KAC-1310		STROBE SIGNAL	33
SENSOR EVALUATION:	7	<i>Example Timing Summary:</i>	35
DEVICE DESCRIPTION	8	I²C-COMPATIBLE SERIAL INTERFACE	36
PIXEL ARCHITECTURE	10	KAC-1310 I ² C BUS PROTOCOL.....	37
COLOR FILTERS AND LENSLETS.....	11	START SIGNAL.....	37
FRAME CAPTURE MODES.....	11	SLAVE ADDRESS TRANSMISSION	37
CONTINUOUS FRAME ROLLING SHUTTER CAPTURE		ACKNOWLEDGMENT	37
MODE (CFRS)	11	DATA TRANSFER	37
CFRS VIDEO ENCODED DATA STREAM	12	STOP SIGNAL	37
SINGLE FRAME ROLLING SHUTTER CAPTURE MODE		REPEATED START SIGNAL.....	38
(SFRS)	12	I ² C BUS CLOCKING AND SYNCHRONIZATION	38
WINDOW OF INTEREST (WOI) CONTROL	12	REGISTER WRITE	38
SUB-SAMPLING CONTROL (RESOLUTION)	12	REGISTER READ.....	38
VIRTUAL FRAME (VF).....	13	REGISTER LIST REFERENCE	41
INTEGRATION TIME	13	DETAILED REGISTER BLOCK ASSIGNMENTS	
CFRS INTEGRATION TIME.....	13	44
SFRS INTEGRATION TIME.....	14	COLOR GAIN REGISTERS 00 _H → 03 _H	44
FRAME RATE	14	REFERENCE VOLTAGE ADJUST REGISTERS (0A _H ,	
CFRS FRAME RATE	14	0B _H).....	46
SFRS FRAME RATE	15	POWER CONFIGURATION REGISTERS (0C _H)	47
ANALOG SIGNAL PROCESSING CHAIN.....	16	RESET CONTROL REGISTER (0E _H).....	48
(ASP).....	16	EXPOSURE GAIN A REGISTER (10 _H)	49
FRAME RATE CLAMP (FRC).....	16	TRISTATE CONTROL REGISTER (12 _H).....	49
COLUMN DIGITAL OFFSET VOLTAGE ADJUST		COLUMN DOVA DC REGISTER (20 _H)	51
(CDOVA)	16	EXPOSURE GAINB (21 _H)	52
PROGRAMMABLE GAIN AMPLIFIER (PGA)	17	PGA GAIN MODE (22 _H).....	53
GAIN MODES	17	ADC DOVA (23 _H).....	54
<i>Raw Gain Mode:</i>	17	CAPTURE MODE CONTROL (40 _H).....	55
<i>Lin1 Gain Mode:</i>	17	SUB-SAMPLE CONTROL (41 _H)	56
<i>Lin2 Gain Mode:</i>	17	TRIGGER AND STROBE CONTROL REGISTER	
WHITE BALANCE CONTROL PGA (WB GAIN).....	19	(42 _H).....	57
EXPOSURE GAIN PGA (EXP GAIN A/B)	20	PROGRAMMABLE WINDOW OF INTEREST (WOI)	
GLOBAL DIGITAL OFFSET VOLTAGE ADJUST		(45 _H -4C _H).....	58
(GDOVA)	20	INTEGRATION TIME CONTROL (4E _H → 4F _H)	61
ANALOG TO DIGITAL CONVERTER (ADC)	20	PROGRAMMABLE VIRTUAL FRAME (50 _H → 53 _H) ..	62
PERFORMANCE	21	SOF AND VCLK DELAY REGISTERS (54 _H AND 55 _H)	
TEST CONDITIONS	21	64
IMAGING PERFORMANCE.....	21	SOF & VCLK WIDTH REGISTER (56 _H)	65
QUANTUM EFFICIENCY	23	READOUT DIRECTION REGISTER (57 _H).....	66
DYNAMIC RANGE	25	INTERNAL TIMING CONTROL REGISTERS (5F _H AND	
TEMPORAL NOISE.....	25	60 _H).....	67
OPERATION	28	CLAMP CONTROL AND HCLK DELAY REGISTER	
INITIALIZATION (STANDBY MODE).....	28	(64 _H).....	68
STANDBY MODE	28	ENCODED SYNC REGISTER (65 _H).....	69
OUTPUT TRISTATE.....	28	MOD64 COLUMN OFFSET CORRECTION REGISTER	
READOUT ORDER	28	(80 _H -BF _H).....	70
READOUT SPEED.....	29	STORAGE AND HANDLING	71
INTERNAL BIAS CURRENT CONTROL	30	MECHANICAL DRAWINGS	73

QUALITY ASSURANCE AND RELIABILITY 75
ORDERING INFORMATION 76
 AVAILABLE PART CONFIGURATIONS 76

TABLE OF FIGURES

Figure 1. Pinout Diagram..... 6
 Figure 2: KAC-1310 Pin Connection Schematic .. 7
 Figure 3: KAC-1310 Block Diagram 8
 Figure 4: Optional Bayer RGB Pattern CFA..... 11
 Figure 5: Optional Bayer CMY Pattern CFA..... 11
 Figure 6: Increase of sensitivity due to microlenses 11
 Figure 7: WOI Definition 12
 Figure 8: Virtual Frame Definition..... 13
 Figure 9: RGB Bayer ½ x ½ Sub-sample Example. Sub-sample Control Register(41_n) = xxx10101_b. 13
 Figure 10: Conceptual block diagram of CDS 16
 Figure 11: FRC Conceptual Block Diagram 16
 Figure 12: PGA Gain Modes 18
 Figure 13: Color Gain Register Selection..... 19
 Figure 14: KAC-1310 Typical Monochrome Spectral Response 23
 Figure 15: KAC-1310 Typical Bayer RGB Spectral Response..... 23
 Figure 16: KAC-1310 Typical Bayer CMY Spectral Response..... 24
 Figure 17: Dynamic Range with respect to Mclk Frequency..... 25
 Figure 18: Temporal Noise Dependence on External Resistor 25
 Figure 19: Power Consumption Dependence on External Resistor 30
 Figure 20: CFRS Default Frame Sync Waveforms 31
 Figure 21: CFRS Default Row Sync Waveforms 32
 Figure 22: Single Frame Capture Mode (SFRS) 32
 Figure 23: Pixel Data Bus Timing Diagram 33
 Figure 24: STROBE Output Waveforms 34
 Figure 25: I²C Bus WRITE Cycle..... 36
 Figure 26: I²C Bus READ Cycle 39
 Figure 27: I²C Bus Timing..... 40
 Figure 28: Recommended Reflow Soldering System Thermal Profile 72
 Figure 29: 48-Pin Terminal Ceramic Leadless Chip Carrier (Bottom View) 73
 Figure 30: CLCC-IB package vertical Dimensioning 74

LIST OF TABLES

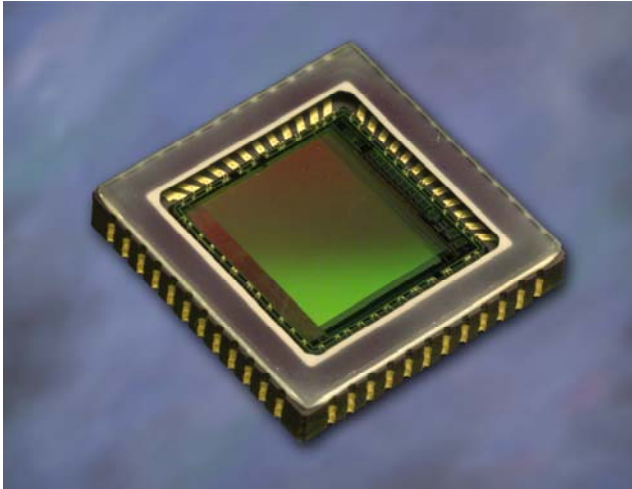
Table 1: KAC-1310 Pin Definitions 6
 Table 2. Video Encoded Signal Definitions 12
 Table 3. Electro-Optical Characteristics 21

Table 3 continued. Electro-Optical Characteristics 22
 Table 4: Absolute Maximum Ratings..... 26
 Table 5: Recommended Operating Conditions .. 26
 Table 6: DC Electrical Characteristics 27
 Table 7: Power Dissipation..... 27
 Table 8: Pixel Data Bus and Sync Timing Specification 32
 Table 9: I²C-compatible Serial Interface Timing Specification 40
 Table 10. I²C Address Range Assignments 41
 Table 11: I²C Address Assignments (0_n- 3F_h) 42
 Table 12: I²C Address Assignments (40_n - FF_h) . 43
 Table 13: PGA Color 1 Gain Register (00_n)..... 44
 Table 14: PGA Color 2 Gain Register (01_n)..... 45
 Table 15: PGA Color 3 Gain Register (02_n)..... 45
 Table 16: PGA Color 4 Gain Register (03_n)..... 45
 Table 17: Negative Voltage Reference Register (0A_h)..... 46
 Table 18: Positive Voltage Reference Register (0B_h)..... 46
 Table 19: Power Configuration Register (0C_n)... 47
 Table 20: Reset Control Register (0E_n)..... 48
 Table 21: A Exposure Gain A Register (10_n)..... 49
 Table 22: Tristate Control Register (12_n)..... 50
 Table 23: Column DOVA DC Offset (20_n) 51
 Table 24: Exposure Gain B (21_n)..... 52
 Table 25: PGA Gain Mode (22_n)..... 53
 Table 26: ADC DOVA Register (23_n)..... 54
 Table 27: Capture Mode Register (40_n)..... 55
 Table 28: Sub-Sample Control Register (41_n).... 56
 Table 29: TRIGGER and STROBE Control Register (42_n)..... 57
 Table 30: WOI Row Pointer MSB Register (45_n) 58
 Table 31: WOI Row Pointer LSB Register (46_n) . 58
 Table 32: WOI Column Pointer MSB Register (49_n) 59
 Table 33: WOI Column Pointer LSB Register (4A_n) 59
 Table 34: WOI Row Depth MSB Register (47_n) . 59
 Table 35: WOI Row Depth LSB Register (48_n) .. 60
 Table 36: WOI Column Width MSB Register (4B_n) 60
 Table 37: WOI Column Width LSB Register (4C_n) 60
 Table 38: Integration Time MSB Register (4E_n) . 61
 Table 39: Integration Time LSB Register (4F_n) .. 61
 Table 40: Virtual Frame Row Depth MSB (50_n) . 62
 Table 41: Virtual Frame Row Depth LSB (51_n) .. 62
 Table 42: Virtual Frame Column Width MSB (52_n) 63
 Table 43: Virtual Frame Column Width LSB (53_n) 63
 Table 44: SOF Delay Register (54_n)..... 64
 Table 45: VCLK Delay Register (55_n)..... 64
 Table 46: SOF & VCLK Width Register (56_n)..... 65

Table 47: Readout Direction Register (57_h)..... 66
 Table 48: Internal Timing Control Register (5F_h) 67
 Table 49: Internal Timing Control Register (60_h) 67
 Table 50: Clamp Control and HCLK Delay
 Register (64_h)..... 68
 Table 51: Encoded Sync Register (65_h) 69
 Table 52: Mod64 Column Offset Correction
 Register (80_h-BF_h)..... 70
 Table 53: 48 Ceramic LCC – Matrix Format..... 74

SUMMARY SPECIFICATION

KODAK KAC-1310 SXGA CMOS IMAGE SENSOR 1280 (H) x 1024 (V)



Features

- 1/2" Color SXGA Advanced CMOS Image Sensor
- 1280 x 1024 active imaging pixels - progressive scan
- Monochrome or Bayer (RGB or CMY) Color Filters
- 6.0µm pitch square pixels with microlenses
- Kodak patented pinned photodiode architecture; high blue QE, low dark current, lag free
- High sensitivity, quantum efficiency, and charge conversion efficiency
- True Correlated Double Sampling for low read noise
- Low fixed pattern noise and wide dynamic range
- Antiblooming control and Continuous variable speed rolling electronic shutter
- Single 3.3V power supply; Single master clock
- Digitally programmable via I²C-compatible interface
- Pixel addressability to support 'Window of Interest' windowing, resolution, and sub-sampling
- External sync signal for use with strobe flash
- On-chip 20x programmable gain for white balance and exposure gain
- 10-bit, pipelined algorithmic RSD ADC
- 15 fps full SXGA at 20MHz Master Clock Rate
- 48 pin CLCC package
- Dark reference pixels with automatic Frame Rate Dark Clamp
- Encoded Sync data stream
- Column offset correction circuitry

Parameter	Value
Total Number of Pixels	1296 (H) x 1046 (V)
Number of Effective Pixels	1288 (H) x 1032 (V)
Number of Active Pixels	1280 (H) x 1024 (V)
Pixel Size	6.0 µm (H) x 6.0 µm (V)
Imager Size	7.68 mm (H) x 6.14mm (V) (~1/2")
Chip Size	14.22 mm (H) x 14.22 mm (V)
Optical Fill-Factor	40% mono / 64% color
Aspect Ratio	5:4
Saturation Signal	40,000 electrons
Quantum Efficiency	46% peak CMY
Responsivity	1.2 V/Lux-sec peak CMY
Total Dark Noise	70 e- rms
Dark Current	6250 e-/pixel/sec
Dark Current Doubling Temperature	9 °C
Dynamic Range	>54dB
Blooming Suppression	200x

PIN DEFINITIONS

Legend:
 P = VDD
 G = VSS
 I = Input
 O = Output
 D = Digital
 A = Analog

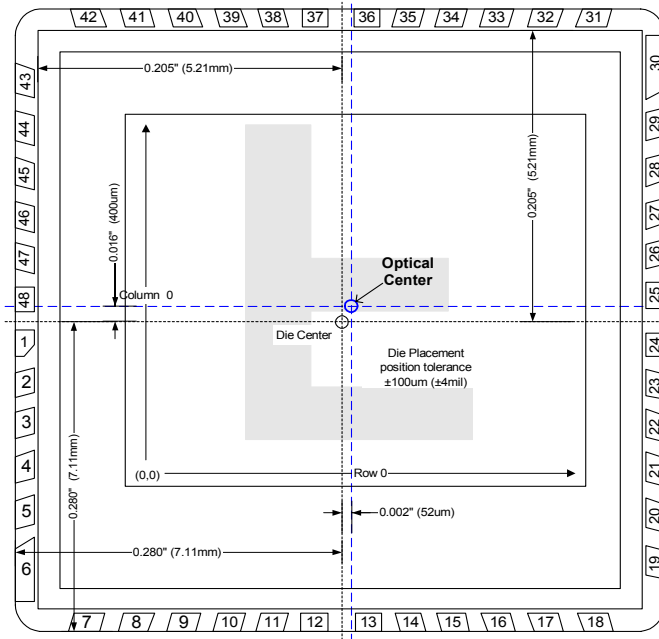


Figure 1. Pinout Diagram

Pin No.	Pin Name	Description	Pin Type	Power	Value	Pin No.	Pin Name	Description	Pin Type	Power	Value
1	INIT	Sensor Initialize	I	D		25	VDD_PIX	Pixel Array Power	P	A	3.3 V
2	VDD	Digital Power	P	D	3.3 V	26	VSSA	Analog Ground	G	A	0 V
3	VSS	Digital Ground	G	D	0 V	27	VSS	Digital Ground	G	D	0 V
4	VSSA	Analog Ground	G	A	0 V	28	VDD	Digital Power	P	D	3.3 V
5	VDDA	Analog Power	P	A	3.3 V	29	SCLK	I ² C Serial Clock Line	I/O	D	3.3k Ω
6	CFRCA	Frame Rate Clamp Capacitor A	O	A	0.1μF	30	SDATA	I ² C Serial Data Line	I/O	D	3.3k Ω
7	CFRCB	Frame Rate Clamp Capacitor B	O	A	0.1μF	31	PIX0	Output Bit 0=1 ₁₀ Weight	O	D	
8	TST_VRO	Analog Test Reference Output	O			32	PIX1	Output Bit 1=2 ₁₀ Weight	O	D	
9	TST_VSO	Analog Test Signal Output	O			33	PIX2	Output Bit 2=4 ₁₀ Weight	O	D	
10	TST_VRI	Analog Test Reference Input	I			34	PIX3	Output Bit 3=8 ₁₀ Weight	O	D	
11	TST_VSI	Analog Test Signal Input	I			35	PIX4	Output Bit 4=16 ₁₀ Weight	O	D	
12	VSSA	Analog Ground	G	A	0 V	36	VDD	Digital Power	P	D	3.3 V
13	VDDA	Analog Power	P	A	3.3 V	37	VSS	Digital Ground	G	D	0 V
14	CVREFM	ADC Bottom Bias Ref Capacitor	O	A	0.1μF	38	PIX5	Output Bit 5=32 ₁₀ Weight	O	D	
15	CVREFP	ADC Top Bias Ref Capacitor	O	A	0.1μF	39	PIX6	Output Bit 6=64 ₁₀ Weight	O	D	
16	CVAGA	Common Mode Capacitor Input	O	A	0.1μF	40	PIX7	Output Bit 7=128 ₁₀ Weight	O	D	
17	VAGRET	Return for VAG external caps	O	A		41	PIX8	Output Bit 8=256 ₁₀ Weight	O	D	
18	CVAGB	Common Mode Reference Capacitor	O	A	0.1μF	42	PIX9	Output Bit 9=512 ₁₀ Weight	O	D	
19	EXTRESA	External Bias Resistor	I	A	39k Ω	43	MCLK	Master Clock = Pixel Rate	I	D	
20	EXTRESB	External Bias Resistor	I	A	39k Ω	44	VCLK	Line Sync	O	D	
21	NC					45	HCLK	Pixel Sync	O	D	
22	VSSA	Analog Ground	G	A	0 V	46	TRIGGER	Sensor Trigger Signal	I	D	
23	VDDA	Analog Power	P	A	3.3 V	47	STROBE	External Sync for Strobe Flash	O	D	
24	TST_INJ	Pixel Row 1046/1047 Inj Bbias In	I		3.3 V	48	SOF	Start of Frame Sync	O	D	

Table 1: KAC-1310 Pin Definitions

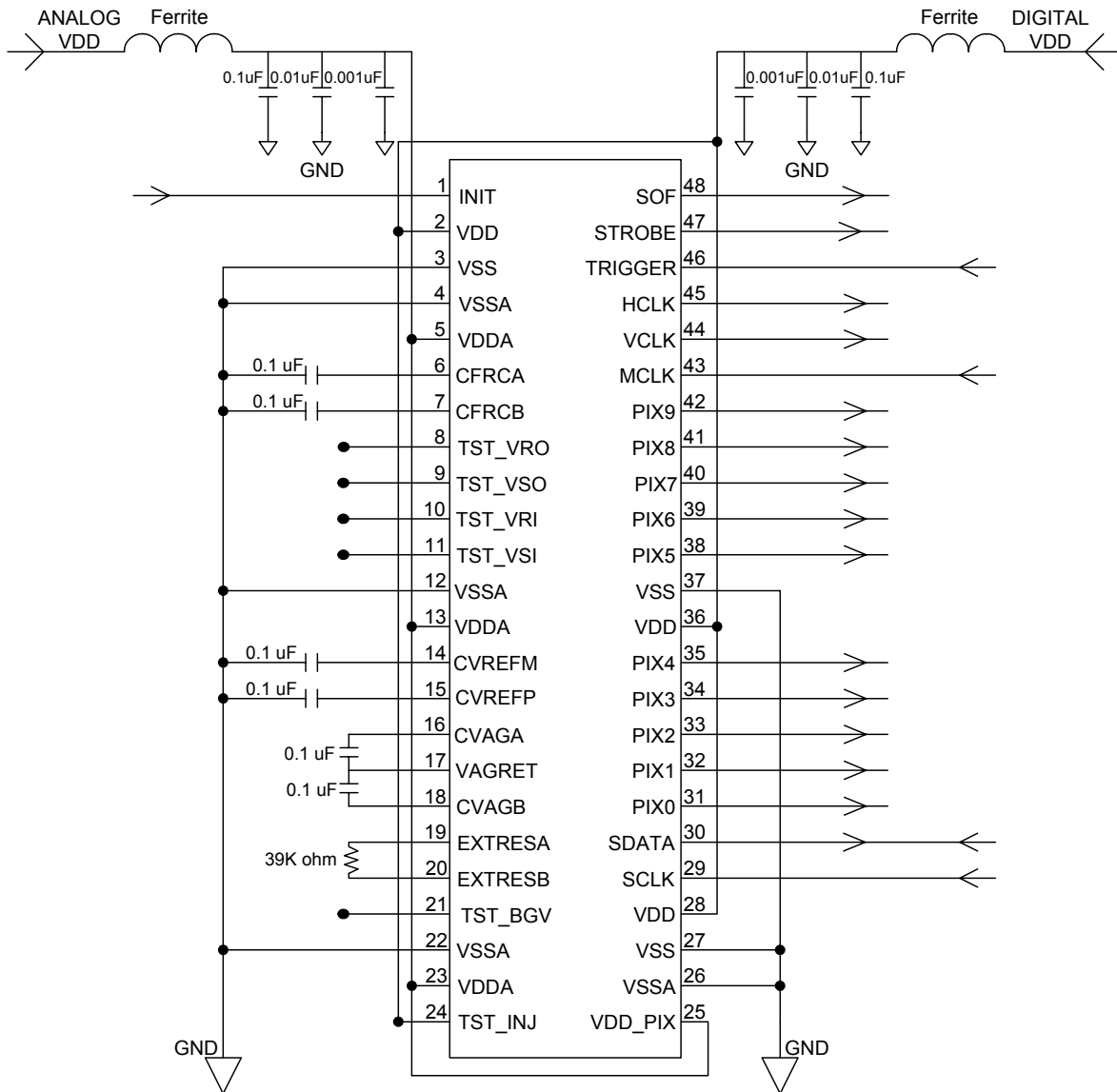


Figure 2: KAC-1310 Pin Connection Schematic

Recommended Hardware for KAC-1310 Sensor Evaluation:

1. Kodak Evaluation Board and cable (for parts list and pricing contact our Sales Office @ <http://www.kodak.com/go/imagers>)
2. National Instruments Framegrabber PCI-1422 LVDS (<http://www.ni.com>)
3. Calibre I²C Adapter PCI93 LV (<http://www.calibreuk.com>)
4. Windows NT, 98 or 2000 Operating System.

DEVICE DESCRIPTION

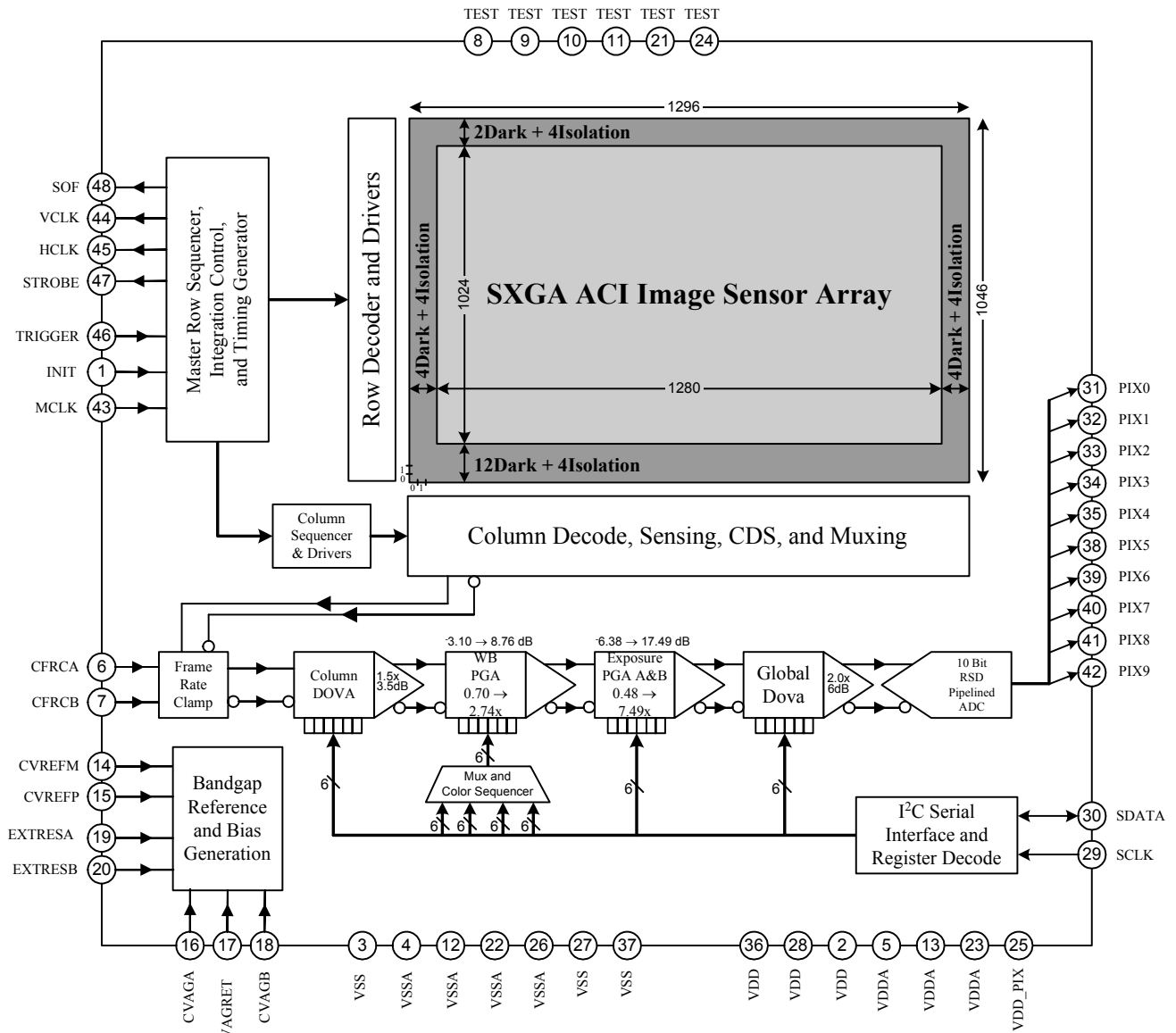


Figure 3: KAC-1310 Block Diagram

The KAC-1310 is a solid state CMOS Active CMOS Imager (ACI™) that integrates the functionality of complete analog image acquisition, digitizer, and digital signal processing system on a single chip. The image sensor comprises a SXGA format pixel array with 1280x1024 active elements. The image size is fully programmable to user-defined windows of interest. The pixels are on a 6.0µm pitch. High sensitivity and low noise are a characteristic of the pinned photodiode² architecture utilized in the pixels. The

sensor is available in a Monochrome version without microlenses, or Bayer (RGB or CMY) patterned Color Filter Arrays (CFAs) with standard microlenses to further enhance sensitivity.

Integrated timing and programming controls allow video or still image capture progressive scan modes. Frame rates are programmable while keeping the Master Clock frequency constant. User programmable row and column start/stop allow windowing down to a 1x1 pixel window for

digital zoom of a panable viewport. Subsampling provides reduced resolution while maintaining constant field of view.

The analog video output of the pixel array is processed by an on-chip analog signal pipeline. Correlated Double Sampling (**CDS**) eliminates the pixel reset temporal and pattern noise. The Frame Rate Clamp (**FRC**) enables real time optical black level calibration and offset correction. The programmable analog gain consists of exposure/global gain to map the signal swing to the ADC input range, and white balance gain to perform color balance in the analog domain. The ASP signal chain consists of (1) Column op-amp (1.5x fixed gain); (2) Column DOVA(1.5x fixed gain); (3) White Balance PGA (0.70 → 2.74x); (4) Global PGA (0.48 → 7.50x); and (5) Global DOVA (2.0x fixed gain). These Digitally Programmable Amplifiers (**DPGAs**) allow real time color gain correction for Auto White Balance (**AWB**) as well as exposure gain adjustment. Offset calibration can be done on a per column basis and globally. This per-column offset correction can be applied by using stored values in the on chip registers. A 10-bit Redundant Signed Digit (**RSD**) ADC converts the analog data to a 10-bit digital word stream. The fully differential analog signal processing pipeline serves to improve noise

immunity, signal to noise ratio, and system dynamic range. The sensor uses an industry standard two-line I²C-compatible serial interface. It operates with a single 3.3V power supply with no additional biases and requires only a single Master Clock for operation up to 20 MHz. It is housed in a 48 pin ceramic LCC package.

The KAC-1310 is designed taking into consideration interfacing requirements to standard video encoders. In addition to the 10 bit Bayer (RGB or CMY) encoded data stream, the sensor outputs the valid frame, line, and pixel sync signals needed for encoding. The sensor interfaces with a variety of commercially available video image processors to allow encoding into various standard video formats. In addition, the 3 sync signals can be integrated into the video data stream eliminating the need of the 3 sync outputs

The KAC-1310 is an elegant and extremely flexible single chip solution that simplifies a system designer's tasks of image sensing, processing, digital conversion, and digital signal processing to a high performance, low cost, low power IC. It supports a wide range of low-power, portable, consumer digital imaging applications.

Pixel Architecture

The KAC-1310 sensor comprises a 1280x1024 active pixel array and supports progressive readout. The basic operation of the pixel relies on the photoelectric effect where, due to its physical properties, silicon is able to detect photons of light. The photons generate electron-hole pairs in direct proportion to the intensity and wavelength of the incident illumination. The application of an appropriate bias allows the user to collect the electrons and meter the charge in the form of a useful parameter such as voltage.

The pixel architecture is based on a “four transistor” (4T) Advanced CMOS Imager^{TM1} pixel which requires all pixels in a row to have common Reset, Transfer, and Row Select controls. In addition all pixels have common supply (V_{DD}) and ground (V_{SS}) connections. This optimized cell architecture provides enhancements such as noise reduction, fill factor maximization, and anti-blooming. The use of pinned photodiodes² and proprietary transfer gate devices in the photo-elements enables enhanced sensitivity in the entire visual spectral range and a low lag operation. The nominal photo-responses of the KAC-1310 are shown in [Figure 14](#) (monochrome sensor without microlenses), [Figure 15](#) (Bayer RGB sensor with microlenses) and [Figure 16](#) (Bayer CMY sensor with microlenses).

In addition to the imaging pixels, there are additional pixels called dark and isolation pixels at the periphery of the imaging section (see [Figure 3](#)). The dark pixels are covered by a light blocking shield rendering the pixels underneath insensitive to photons. These pixels provide the sensor means to measure the dark level offset which is used downstream in the signal processing chain to perform auto black level calibration. The isolation pixels are provided at the array’s periphery to eliminate inexact measurements due to light piping into the dark pixels adjacent to active pixels and for extra pixels needed for color interpolation algorithms. Electronic shuttering, also known as electronic exposure timing in photographic terms, is a standard feature. The pixel integration time can be widely varied from a small fraction of a given frame readout time to the entire frame time.

¹ Advanced CMOS Imager (ACI) is a Kodak trademark

² Patents held jointly by Kodak and Motorola

Color Filters and Lenslets

The KAC-1310 family is offered with the option of monolithic polymer color filter arrays (CFA's). The combination of an extremely planarized process and proprietary color filter technology results in CFA's with superior spectral and transmission properties. It is available in Bayer RGB (Figure 4) or CMY (Figure 5) patterns. The complimentary Bayer CMY array provides a 50% increase in sensitivity over primary RGB pattern and are often the best choice for low light applications. This is due to the higher quantum efficiency (QE) and larger wavelength spread per color. If the application is utilizing a color correction matrix, then this matrix will automatically convert the CMY to RGB. Other wise a simple matrix must be applied to affect the conversion from CMY to RGB spac

col→	0	1	2	3
row↓				
0	G1	R	G1	R
1	B	G2	B	G2
2	G1	R	G1	R
3	B	G2	B	G2

Figure 4: Optional Bayer RGB Pattern CFA

col→	0	1	2	3
row↓				
0	C	Y1	C	Y1
1	Y2	M	Y2	M
2	C	Y1	C	Y1
3	Y2	M	Y2	M

Figure 5: Optional Bayer CMY Pattern CFA

Applications requiring higher sensitivity can benefit from the microlens arrays shown in Figure 6. The

lenslet arrays can improve the fill factor (aperture ratio) of the sensor by approximately 1.6x depending on the F-number of the lens used in the camera system. Microlenses yield the greatest benefits when the main lens has a high F-number or a highly telecentric design. The fill factor of the pixels without microlenses is ~40%.

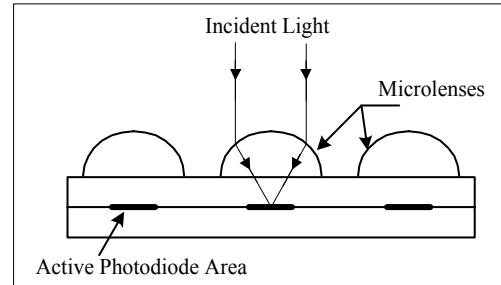


Figure 6: Increase of sensitivity due to microlenses

Frame Capture Modes

There are two frame capture modes:

- 1) Continuous Frame Rolling Shutter (CFRS)
- 2) Single Frame Rolling Shutter (SFRS)

The sensor can be put into either one of these modes by writing either "1" or "0" to cms bit (bit 6) of Capture Mode Control Register (40_h) (Table 47 on page 66). The KAC-1310 uses a progressive readout mode. Progressive scanning refers to non-interlaced or sequential row-by-row scanning of the entire sensor in a single pass. The image readout happens at one instant of time.

Continuous Frame Rolling Shutter Capture Mode (CFRS)

The default mode of image capture is the Continuous Frame Rolling Shutter Capture Mode (CFRS). In this mode the TRIGGER input pin is ignored. This mode is most suitable for full motion video capture and will yield SXGA sized Frame Rates up to 15 FPS at 20 MHz MCLK and VGA frames at >30 FPS. In this mode the image integration and row readout take place in parallel. While a row of pixels is being readout, another row or rows are being integrated. Since the integration time (T_{int}) must be equal for all rows, the start of integration for rows is staggered.

CFRS Video Encoded Data Stream

The Encoded Sync Control Register (65_h) (Table 51 on page 69) allows the user to select how the output pixel data stream in CFRS mode is encoded/formatted. In default mode, internally generated signals SOF, VCLK, HCLK etc. drive the integration and readout of the pixel data frames, but only the valid pixel data is readout of the sensor. When a “1” is written to bit 5, it causes the output pixel data to be encoded with four (4) 10-bit pixel codes at the beginning of each line for SOF, VCLK and End Of Frame (EOF) signals. Operation in this mode will allow a camera system to capture streaming video and re-construct the frame afterwards when the SOF, VCLK, and HCLK signals are no longer available. The Video Encoded Signal Definitions, (Table 2), defines the four (4) 10-bit pixel code data that represents the SOF, VCLK, and EOF signals.

Signal	Description	Data
SOF	Start of Row readout (i.e. Readout of Row 1)	[3FF][3FF][3FF][3FF] <i>Note: 3FF_h = 1023_d</i> <i>000_h = 0_d</i>
VCLK	Start of Row readout of Rows 2+	[3FF][3FF][000][000]
EOF	Readout of last Row complete	[000][000][000][000]

Table 2. Video Encoded Signal Definitions

Single Frame Rolling Shutter capture mode (SFRS)

In this mode of capture, the start of integration is triggered by the TRIGGER signal. Similar to the CFRS capture mode, readout of each row follows the integration of that row. The imager can be placed in SFRS capture mode using register 40_h (see Table 27 on page 55). In this mode the imager will remain idle until the TRIGGER pin is pulled high. The imager then begins integration followed by image readout. If the TRIGGER input is still high when the SFRS Frame is finished reading out, then a second Frame is started. Detailed timing can be found in Figure 24 on page 34. There are additional controls for SFRS mode

that can be found in register 42_h, Table 29 on page 53.

The TRIGGER signal can be generated internally by the sensor or be driven via Pin #46 of the sensor. To set whether the signal is generated internally or externally, along with other setting of this signal, refer to TRIGGER and STROBE Control register (42_h), Table 29 on page 53.

Window of Interest (WOI) Control

The pixel data to be read out of the device is defined as a ‘Window of Interest’ (WOI). The window of interest can be defined anywhere on the pixel array at any size. The user provides the upper-left pixel location and the size in both rows and columns to define the WOI. The WOI is defined using the WOI Pointer, WOI Depth, and WOI Width registers, (Table 30 on page 58 through Table 37 on page 60). Please refer to Figure 7 for a pictorial representation of the WOI within the active pixel array. Any pixels not included in the WOI will be skipped over and never readout (note: the minimum valid values are 2 for the WOI row pointer (wrp), and 0 for the WOI column pointer (wcp)). The first pixel readout will always be the first pixel of the WOI.

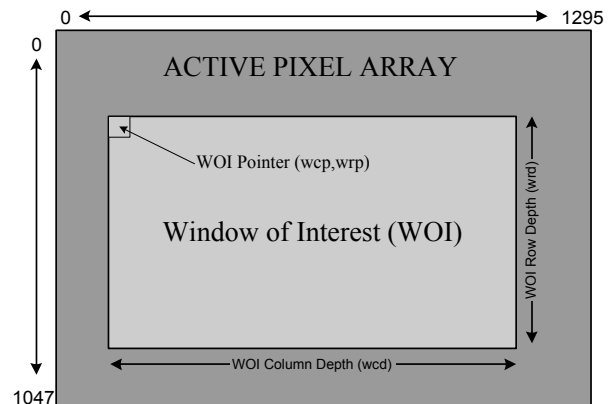


Figure 7: WOI Definition

Sub-Sampling Control (Resolution)

The WOI can be sub-sampled in either monochrome or color pixel space in both the horizontal and vertical direction independently.

The resolution of each axis can be set to four different sampling rates: full, $\frac{1}{2}$, $\frac{1}{4}$, or $\frac{1}{8}$. Sub-sampling the imager by $\frac{1}{4}$ in both horizontal and vertical directions results in only $\frac{1}{16}$ of the pixels being readout. The frame readout rate can therefore be increased by 16x. The user controls the sub-sampling via the Sub-Sample Control Register (41_h), Table 28 on page 56. An example of RGB Bayer space sub-sampling is shown in Figure 9. If the imager is set as a color imager then the sub-sampling is done by reading out two cols/rows and then skipping two. This prevents the sub-sampling from breaking up a color kernel. If the imager is set to Monochrome mode the sub-sampling will skip every other col/row performing a more uniform reduction in resolution. Activating Sub-Sampling alone will not increase the Frame Rate. The Frame Rate is controlled by the Virtual Frame (see “Virtual Frame (VF)”). For example, if Sub-Sampling is first turned on to $\frac{1}{8} \times \frac{1}{8}$ mode, the WOI will shrink by $\frac{1}{64}$. To keep the Frame Rate constant, the KAC-1310 fills in the rest of the rows and columns with blanking pixels. The Virtual Frame can now be reduced by $\frac{1}{8} \times \frac{1}{8}$ to take advantage of the Sub-Sampled WOI. The Frame Rate will now have increased by 64x with no compromise to the field of view (in CFRS mode).

G	R	G	R	G	R	G	R	G	R	G	R
B	G	B	G	B	G	B	G	B	G	B	G
G	R	G	R	G	R	G	R	G	R	G	R
B	G	B	G	B	G	B	G	B	G	B	G
G	R	G	R	G	R	G	R	G	R	G	R
B	G	B	G	B	G	B	G	B	G	B	G
G	R	G	R	G	R	G	R	G	R	G	R
B	G	B	G	B	G	B	G	B	G	B	G
G	R	G	R	G	R	G	R	G	R	G	R
B	G	B	G	B	G	B	G	B	G	B	G
G	R	G	R	G	R	G	R	G	R	G	R
B	G	B	G	B	G	B	G	B	G	B	G

Figure 9: RGB Bayer $\frac{1}{2} \times \frac{1}{2}$ Sub-sample Example. Sub-sample Control Register(41_h) = xxx10101_b

Virtual Frame (VF)

Changing the WOI does not change the Frame Rate of the imager. This is done by varying the size of a Virtual Frame surrounding the WOI. Refer to Figure 8 for a pictorial description of the Virtual Frame and its relationship to the WOI.

The VF is a method for defining the horizontal and vertical blanking (over clocking) in Frame Readout. As the WOI is adjusted, the total Frame Size is set by the VF. To maintain constant Frame Rate, the KAC-1310 adjusts the number of blanking pixels to account for changes in the WOI. The VF can be set to any size. If the VF is greater than the WOI then the readout is padded with blanking pixels (invalid dark pixels). The WOI and the VF may both be larger than the actual imager size. In this case the WOI is also padded with blanking pixels (invalid dark pixels). Figure 8 illustrates a WOI smaller than the VF. If the WOI is set larger than the VF, then the WOI will be clipped by the VF and the Frame Rate will still be equal to the VF size.

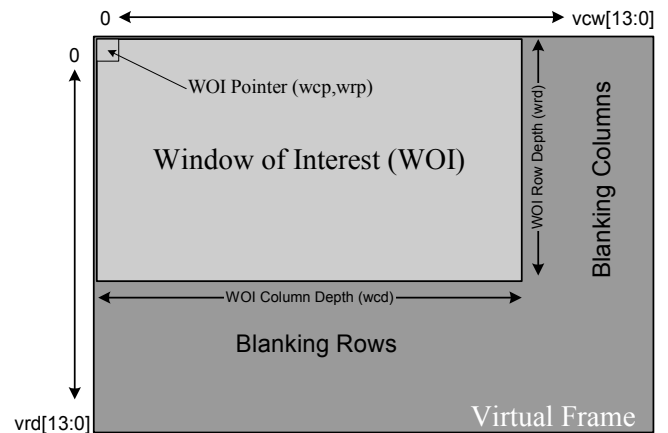


Figure 8: Virtual Frame Definition

Integration Time

CFRS Integration Time

The Integration Time in CFRS is defined and quantized by the time to read out a single row. Once a Virtual Frame has been defined, the time to read out one row can be calculated. Any integer multiple of the Row Time (T_{row}) can be selected. The number of Row Times desired for integration time is programmed into the Integration Time

Registers. The Integration Time is defined by a combination of the width of the VF and the Integration Time Registers (4E_h and 4F_h), (Table 38 and Table 39 on page 61); and can be expressed as:

$$\text{Integration Time (T}_{\text{int}}) = (\text{cint}_d + 1) * T_{\text{row}}$$

where cint_d is the number of virtual frame row times desired for integration time. Therefore, the integration time can be adjusted in steps of VF row times.

$$\text{Row Time (T}_{\text{row}}) = (\text{vcw}_d + \text{shA}_d + \text{shB}_d + 19) * \text{MCLK}_{\text{period}}$$

If the integration time is programmed to be larger than the VF then it will be truncated to the number of rows in the VF. The VF must be increased before the Integration Time can be increased further.

NOTE: The upd bit of Reg 4E_h is used to indicate a change to cint[13:0]. Since multiple I²C writes may be needed to complete desired frame to frame integration time changes, the upd bit signals that all desired programming has been completed, and to apply these changes to the next frame captured. This prevents undesirable changes in integration time that may result from I²C writes that span the “End of Frame” boundary. This upd bit has to be toggled from its previous state in order for the new value of cint[13:0] to be accepted/updated by the sensor and take effect. i.e. If its previous state is “0”, when writing a new cint value, first write cint[7:0] to register 4F_h, then write both cint [13:8] and “1” to the upd bit to register 4E_h. The upd bit should be sent as close to the Start of Frame as possible to ensure a smooth transition from the old integration time to the new.

SFRS Integration Time

Just as with operation in CFRS mode, the integration time is defined by a number of Row Times. As before:

$$\text{Row Time (T}_{\text{row}}) = (\text{vcw}_d + \text{shA}_d + \text{shB}_d + 19) * \text{MCLK}_{\text{period}}$$

where vcw_d defines the number of columns in the virtual frame. The user controls vcw_d via the Virtual Frame Column Width registers (Table 42 and Table 43 on page 63).

$$\text{Integration Time (T}_{\text{int}}) = (\text{cint}_d + 1) * T_{\text{row}}$$

where cint_d is the number of virtual frame row times desired for integration time.

Note: In CFRS operation, the integration time is limited (clipped) by the readout time (which is also the Frame Time). In SFRS mode, the Frame Time is expanded to include any programmed integration time. Thus in SFRS operation there is no boundary to the integration time.

Frame Rate

The Frame Rate can be defined as the time required to readout an entire frame of data plus the required blanking time. There is a different relationship between the Frame Rate and Virtual Frame for CFRS and SFRS mode operation.

CFRS Frame Rate

In CFRS, the Frame Rate of the imager is controlled by varying the size of the Virtual Frame surrounding the WOI, and is independent of Integration Time. Refer to Figure 8 for a pictorial description of the Virtual Frame (VF) and its relationship to the WOI. In CFRS operation, the Frame Rate (FR) (Frame Rate = 1/Frame Time) is defined by the VF size and clock speed (MCLK). The Frame Time (FT) and can be expressed as:

$$\text{FT} = (\text{vrd}_d + 1) * T_{\text{row}}$$

where vrd_d defines the number of rows in the virtual frame. The user controls vrd_d via the Virtual Frame Row Depth registers (Table 40 and Table 41 on page 62).

If the VF width (vcw_d) is <1296, then the timing block holds the two Frame Rate Clamp (FRC) rows to a length of 1296 even while all of the other rows are shorter. This is to ensure enough time for the clamping circuit. If the FRC is turned off (see Clamp Control and HCLK Delay Register (64_h), it is recommended that the CFRCA and CFRCB pins be tied to ground directly (i.e. no 0.1 μF capacitor).

NOTE: The WOI and Integration Time will be clipped by the VF.

SFRS Frame Rate

There are two main differences when running in SFRS mode versus CFRS mode. The first is that the Frame Rate is no longer the readout rate. In SFRS mode there is no overlap of the Integration and the readout. Therefore, at the top of each Frame, Integration must first occur then readout. The Frame Rate is now Integration plus readout.

The second major difference is the length of readout. In CFRS mode, the only reason for making the VF length larger than the WOI length ($vrd > wrd$) is to add vertical blanking rows to control the time between frames. In SFRS mode, the time between frames is controlled by the TRIGGER input pin, and therefore vertical blanking serves no purpose.

Rather than have the user change the VF depth (vrd), the imager uses the WOI depth (wrd).

Therefore, the Frame Rate equations are:

Frame Time (T_{frame}) =

Integration Time (T_{int})+ Readout Time (T_{rd})

Where:

Integration Time (T_{int}) = ($cint_d + 1$) * T_{row}

Readout Time (T_{rd}) = T_{row} * (wrd_d+1)

Row Time (T_{row}) = ($vcw_d+shA_d+shB_d+19$) * $MCLK_{period}$

Frame Rate = 1/Frame Time

DC offset is loaded as a 6-bit value into the Column DOVA DC Offset Register, (Table 23 on page 51). The Column DOVA stage has only six bits of total range. The value in Register 20_h and 80_h-BF_h are added together prior to application to the column. If the sum is greater than ±31, it will be truncated to ±31.

Raw Gain Mode (WB and Exposure)

$$\begin{aligned} \text{Gain} &\approx 0.6950 + 0.02175 * \text{Reg}_d \\ &\approx 1.3475 + 0.04350 * (\text{Reg}_d - 31) \end{aligned}$$

Lin1 Gain Mode (WB and Exposure)

$$\text{Gain} \approx 0.6950 + 0.04350 * \text{Reg}_d$$

Lin2 Gain Mode (Exposure gain stage only)

$$\text{Gain} \approx 0.483 + 0.11119 * (\text{Reg } 10_h)_d$$

Raw Gain Mode:

The three gain stages are each designed as two-piece linear gain stages where the gain increment doubles for the second half of the programmable range. The gain increment is 0.02175 for the first 32 programmable steps, and precisely twice that (0.04350) for the last 32 programmable steps.

Lin1 Gain Mode:

Some applications do not need the finer gain increment provided by the Raw Gain Mode in the first 32 register values. In Lin1 mode, every other

Programmable Gain Amplifier (PGA)

Gain Modes

Three different gain modes are available when the sensor is performing White Balance and Exposure gain. The gain mode is set using Register 22_h described in Table 25, page 53. The three gain modes are:

$$\begin{aligned} 0 \leq \text{Reg}_d \leq 31 & \quad (0.0695x \rightarrow 1.36925x) \\ 32 \leq \text{Reg}_d \leq 63 & \quad (1.3910x \rightarrow 2.7395x) \end{aligned}$$

$$0 \leq \text{Reg}_d \leq 47 \quad (0.695x \rightarrow 2.7395x)$$

$$0 \leq \text{Reg}_d \leq 63 \quad (0.483x \rightarrow 7.488x)$$

step of the lower register is skipped, providing 16 uniform gain steps of 0.04350. As a result, the entire gain stage now appears to be a linear gain stage with 48 uniform steps of 0.04350.

Lin2 Gain Mode:

This mode is only available for the exposure gain mode. In this mode, both gain stages are automatically coordinated to affect a single gain stage. The gain step size of Lin2 Mode is almost, but not completely uniform. Any one step may deviate from the mean step size of 0.11119 by a small amount. This is due to the fact that Lin2 Mode actually varies two gain stages with fixed step sizes to make one equivalent gain step.

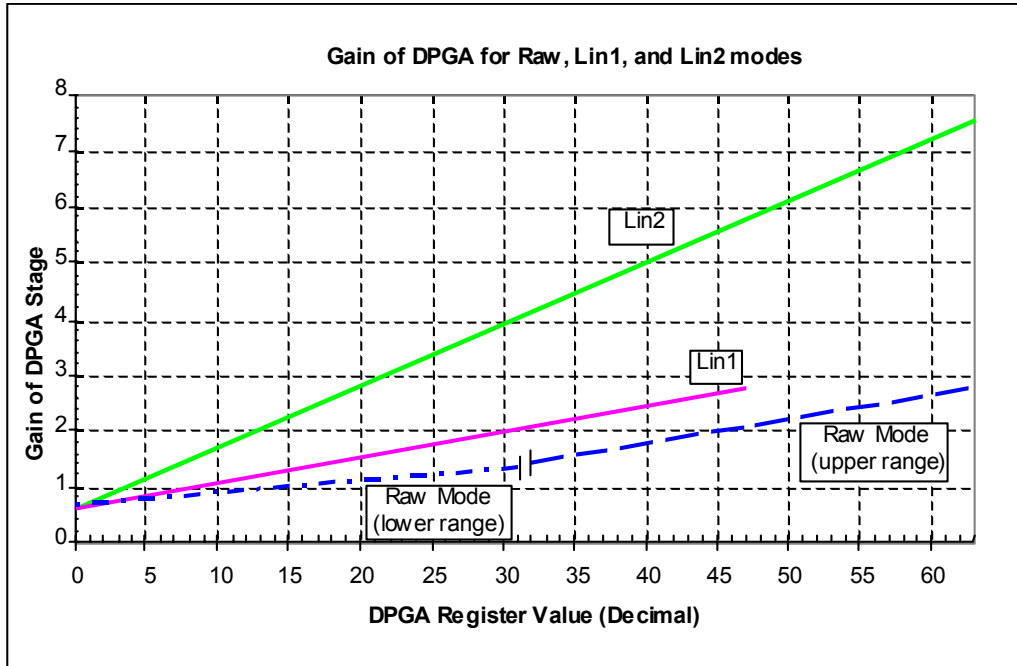


Figure 12: PGA Gain Modes

White Balance Control PGA (WB Gain)

[For the purposes of illustration, the following discussion assumes a Bayer RGB color pattern; with the appropriate correlation (as shown in Figure 13), the CMY Bayer pattern may be substituted throughout.]

The sensor produces three primary color outputs, Red, Green, and Blue. These are monochrome signals that represent luminance values in each of the primary colors. When added in equal amounts they mix to make neutral color. White balancing is a technique where the gain coefficients of the Green1, Red, Blue, and Green2 pixels comprising the Bayer RGB pattern are set so as to equalize their outputs for neutral gray color scenes. Since the sensitivity of the two green pixels in the Bayer pattern may not be equal, an individual color gain register is provided for each component of the Bayer pattern.

Once all color gain registers are loaded with the desired gain coefficients, white balance is achieved in real time and in analog space. The appropriate values are selected and applied to the pixel output via a high speed path, the delay of which is much shorter than the pixel clock rate. Real time updates can be performed to any of the gain registers. However, latency associated with the I²C interface should be taken into

consideration before changes occur. In most applications, users will be able to assign predefined settings such as daylight, fluorescent, tungsten, and halogen to cover a wide gamut of illumination conditions.

Both DPGA designs use switched capacitors to minimize accumulated offset and improve measurement accuracy and dynamic range. The white balance gain registers are 6-bits and can be programmed to allow gain of 0.695x to 2.74x in varying steps depending on which gain mode is selected (RAW or LIN mode).

The WB Gain Stage (PGA WB) is a two-segment piecewise Linear gain stage. In Raw Mode this stage produces smaller gain steps for the first half of its gain range, and larger gain steps for second half of its gain range. This allows fine adjustment for color ratios as well as a large gain swing.

If the piecewise linear mode is difficult to manage and the fine steps are not required, this gain stage can be placed into Lin1 Mode. In this mode every other gain step is skipped for the first 1/3 of the gain range. This produces the same gain range but with uniform gain steps throughout the range.

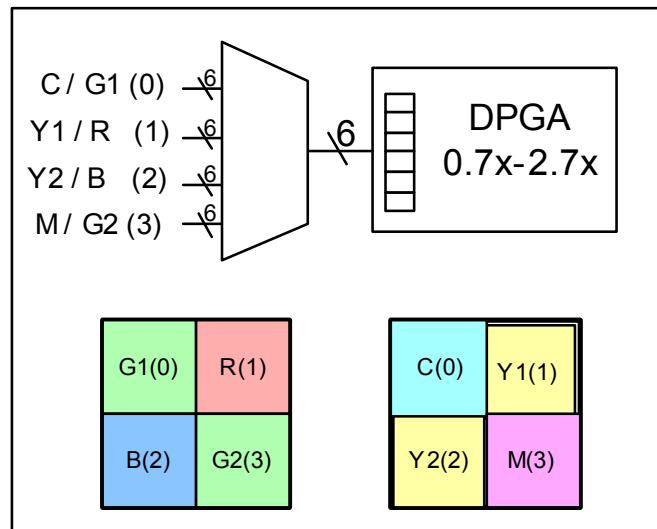


Figure 13: Color Gain Register Selection

Exposure Gain PGA (Exp Gain A/B)

The Exposure (Global) Gain consists of two Gain stages (A and B) in series. Each of these gain stages has a Raw and Lin1 mode as described in the previous WB Gain section. Thus all colors can be amplified by the value in Exp GainA (reg 10_h) and then again by Exp GainB (reg 21_h) to compensate for varying exposure of the scene. The easiest way to implement this is to program Exp GainB at unity and then adjust Exp GainA until it is at its maximum of 2.7395x. Then increase the Exp GainB until the final exposure gain is reached. The gains of the two Exp Gain stages are controlled by Registers 10_h and 21_h, (Table 21 and Table 24 on pages 49 and 52). The Exp Gain Mode is defined in Register 22_h, (Table 25 on page 53).

The dual gain-stage implementation of the Exp Gain may cause difficulty in some auto-exposure routines; this can be avoided by setting the Exp Gain to Lin2 Mode. In Lin2 Mode, Reg 10_h is used to set both gain stages in an attempt to give uniform gain steps across the entire 7.5x range of the two Exp Gain stages. Only one register is used to simplify user programming, and thus the gain step size is increased to ~0.11119 to allow the full range to be accessed by a single 6-bit register. Note that the gain step size is almost but not completely uniform. Any one step may deviate from the mean step size of 0.11119 by a small amount.

Global Digital Offset Voltage Adjust (GDOVA)

A programmable global offset adjustment is available on the KAC-1310. A user defined offset value is loaded via a 6-bit signed magnitude programming code via the ADC DOVA Register, (Table 26 on page 54).

Offset correction allows fine-tuning of the signal to remove any additional residual error, which may have accumulated in the analog signal path. This function is performed directly before analog to digital conversion and allows the user to set the 'black' level in the ADC range.

Analog to Digital Converter (ADC)

The ADC is a fully differential, low power circuit. A pipe-lined, Redundant Signed Digit (RSD)

algorithmic technique is used to yield an ADC with superior characteristics for imaging applications.

Integral Noise Linearity (INL) and Differential Noise Linearity (DNL) performance is specified at ±1.0 and ±0.5, respectively, with no missing codes. The input dynamic range of the ADC is programmed via a Programmable Voltage Reference Generator. The positive reference voltage (VREFP) and negative reference voltages (VREFM) can be programmed from 2.5V to 1.25V and 0V to 1.25V respectively in steps of 5mV via the Reference Voltage Registers (Table 17 and Table 18 on page 46). This feature is used independently or in conjunction with the PGAs to maximize the system dynamic range based on incident illumination. The default input range for the ADC is 1.86V for VREFP and 0.59V for VREFM hence allowing a 10-bit digitization of a 1.3V peak-to-peak signal.

$$\frac{mV}{10dn} = \frac{2(V^+ - V^-)}{1024} = \frac{2(1.86 - 0.59)}{1024} = 2.48 \frac{mV}{10dn}$$

If the 20x gain provided by the PGAs is not sufficient, the ADC references can be used to apply additional gain to the ASP. To increase the gain the ADC references need to be moved closer to V_{cm} (1.25V). This should be used only after the PGAs have been used to their fullest since moving the ADC references too far will degrade the ADC performance. The effective gain of the ADC block will be:

$$Gain = \frac{2.48}{\frac{2(V^+ - V^-)}{1024}}$$

Ex. If Reg 0A_h=Reg 0B_h=BA_h then the ADC Gain = 2.

$$Gain = \frac{2.48}{\frac{2(1.57 - 0.93)}{1024}} = 1.98$$

The user should connect 0.1 μF capacitors to CVREFP (pin 15) and CVREFM (pin 14) (see Figure 2) to accurately hold the biases.

PERFORMANCE

Test Conditions

Temperature	25°C
Operating Frequency	10 MHz MCLK
Light Source	White Light LED
Operation	Nominal Voltages and Default Timing
Integration Time	70 ms
Bright Field Condition	70% Saturation

Imaging Performance

Symbol	Parameter	Typ	Unit	Notes	
N _{sat}	Saturation Signal	40,000	electrons		
QE	Peak Quantum Efficiency	Monochrome no μ Lens @ 550nm	34	%	1
		Red w/ μ Lens @ 650nm	38	%	1
		Green w/ μ Lens @ 540nm	37	%	1
		Blue w/ μ Lens @ 460nm	20	%	1
		Cyan w/ μ Lens @ 530nm	46	%	1
		Magenta w/ μ Lens @ 650nm	45	%	1
		Yellow w/ μ Lens @ 590nm	46	%	1
PRNU	Photoresponse Non-uniformity	Global	4	% rms	
		Local	1.5	% rms	2
S	Responsivity	Monochrome no μ Lens	1.11	V/lux-sec	3
			59,800	e-/lux-sec	3
		Red w/ μ Lens	0.5	V/lux-sec	3
			27,100	e-/lux-sec	3
		Green w/ μ Lens	0.6	V/lux-sec	3
			32,200	e-/lux-sec	3
		Blue w/ μ Lens	0.32	V/lux-sec	3
			17,500	e-/lux-sec	3
		Cyan w/ μ Lens	1.04	V/lux-sec	3
			55,800	e-/lux-sec	3
		Magenta w/ μ Lens	0.81	V/lux-sec	3
	43,600	e-/lux-sec	3		
	Yellow w/ μ Lens	1.2	V/lux-sec	3	
		64,700	e-/lux-sec	3	

Table 3. Electro-Optical Characteristics

Notes:

- Refers to nominal spectral response values as provided in Figures 3, 4, and 5. QE range is +/- 20%
- For a 100 x 100 pixel region under uniform illumination with output signal equal to 70% of saturation signal.
- Measurements assume a 3200K source with Hoya CM500 filter. All values referenced at the floating diffusion node.

To calculate values at the sensor outputs, on-chip gain stages should be linearly applied to the given values.

Symbol	Parameter	Typ	Unit	Notes
I_d	Photodiode Dark Current	1 / 4	fA/pixel	4
Lag	Pixel Charge Transfer Inefficiency	<1	%	5
X_{ab}	Blooming Margin - shuttered light	200x	X V_{sat}	6
$n_{e^- total}$	Total System (equivalent) Noise Floor	70	$e^- rms$	7
DR	System Dynamic Range	54	dB	9, 12, 13
	Resolution	10	bits	
f_{max}	Maximum MCLK	20	MHz	8
f_{nom}	Nominal MCLK	10	MHz	9
$\phi_A - X$	Acceptance Angle in Horizontal direction	15	Degrees	11
$\phi_A - Y$	Acceptance Angle in Vertical direction	27	Degrees	11
	Image Array Size	7.7 x 6.1 (~ $1/2$ "	mm	
	Pixel Size	6.0 x 6.0	μm	
	Frame Rate	0 - 15	FPS	
	Fill Factor	40 / 64	%	10

Table 3 continued. Electro-Optical Characteristics

Notes:

4. Measured at sensor temperatures of 25 °C / 40 °C
5. Transfer inefficiency of photosite.
6. X_{ab} represents the increase above the saturation-irradiance level (V_{sat}) that the device can be exposed to before blooming of the pixel will occur.
7. Includes amplifier noise, dark pattern noise and dark current shot noise at 10 MHz data rates.
8. All performance specs are not guaranteed at this speed.
9. All Imager specs are held between 1 MHz and 10 MHz
10. Monochrome sensor without microlens / color sensor with microlens
11. Angle at which Responsivity is reduced by 3dB.
12. DR is defined as the standard deviation of temporal noise divided by the mean signal at saturation.
13. Saturation signal is defined as the maximum sensor output achieved while maintaining $\leq 2\%$ response non-linearity.

Quantum Efficiency

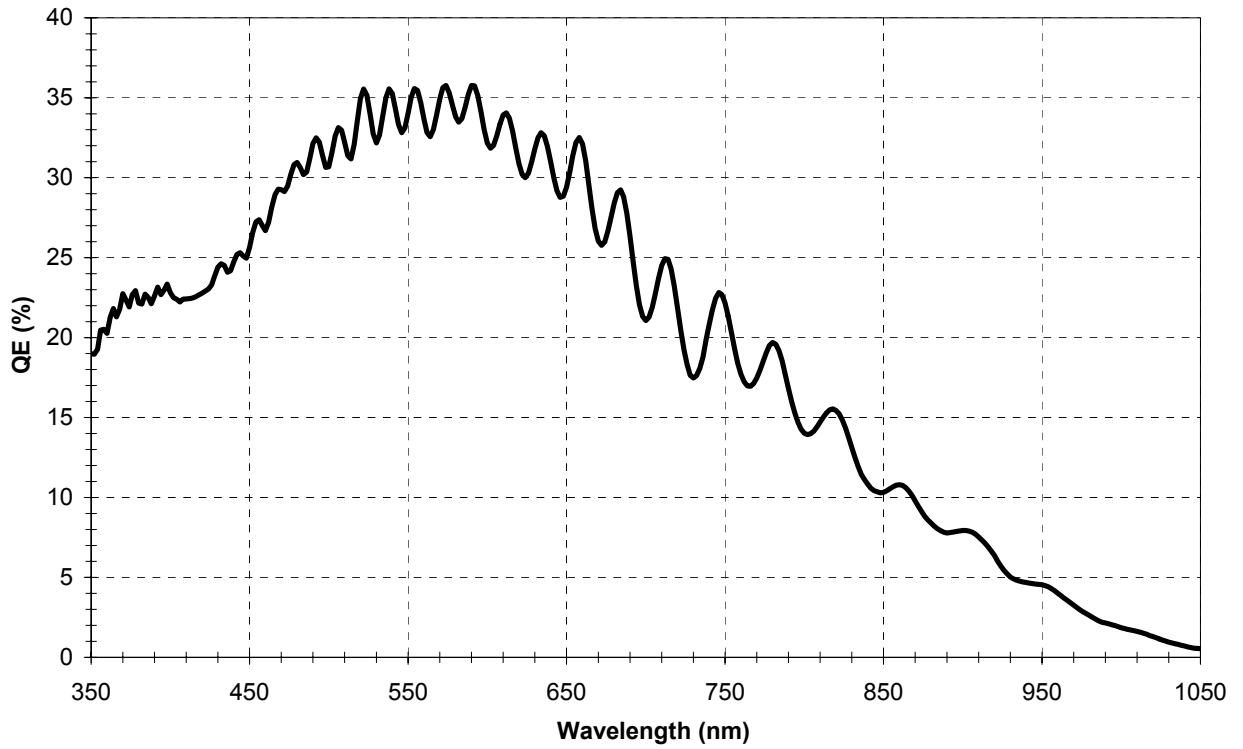


Figure 14: KAC-1310 Typical Monochrome Spectral Response

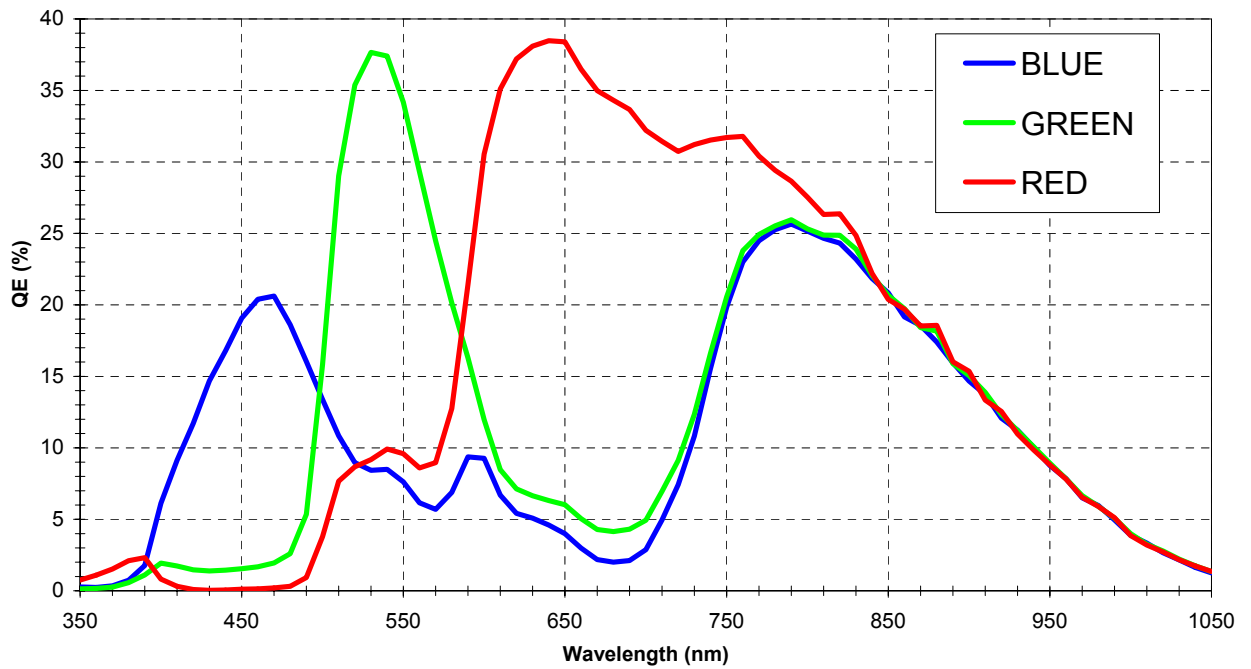


Figure 15: KAC-1310 Typical Bayer RGB Spectral Response

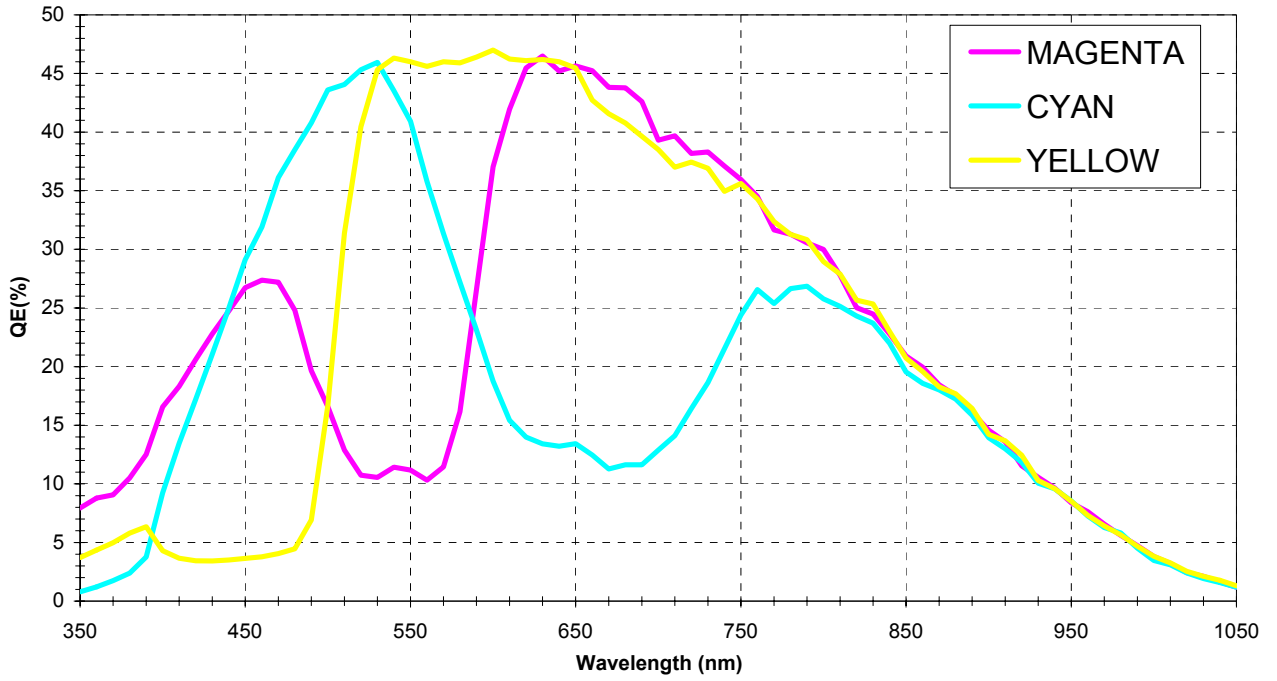


Figure 16: KAC-1310 Typical Bayer CMY Spectral Response

Dynamic Range

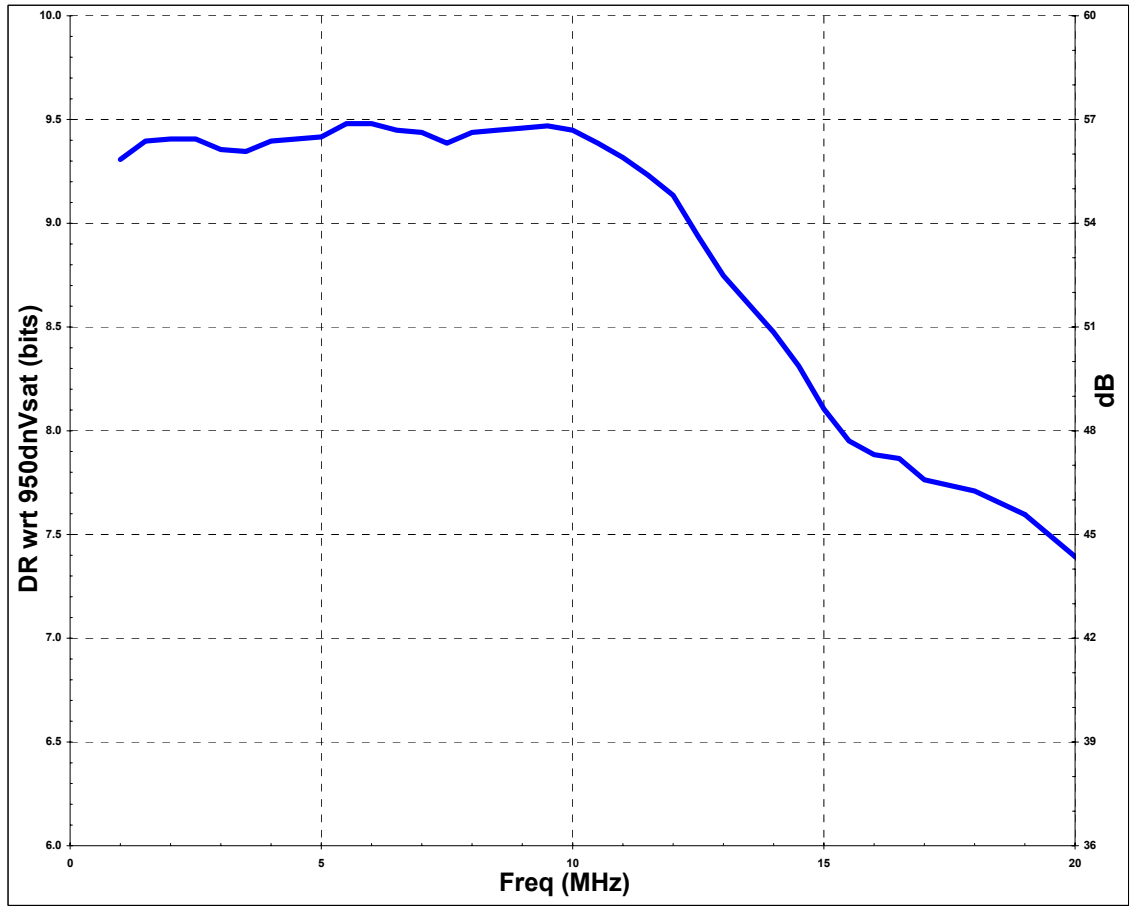


Figure 17: Dynamic Range with respect to Mclk Frequency

Temporal Noise

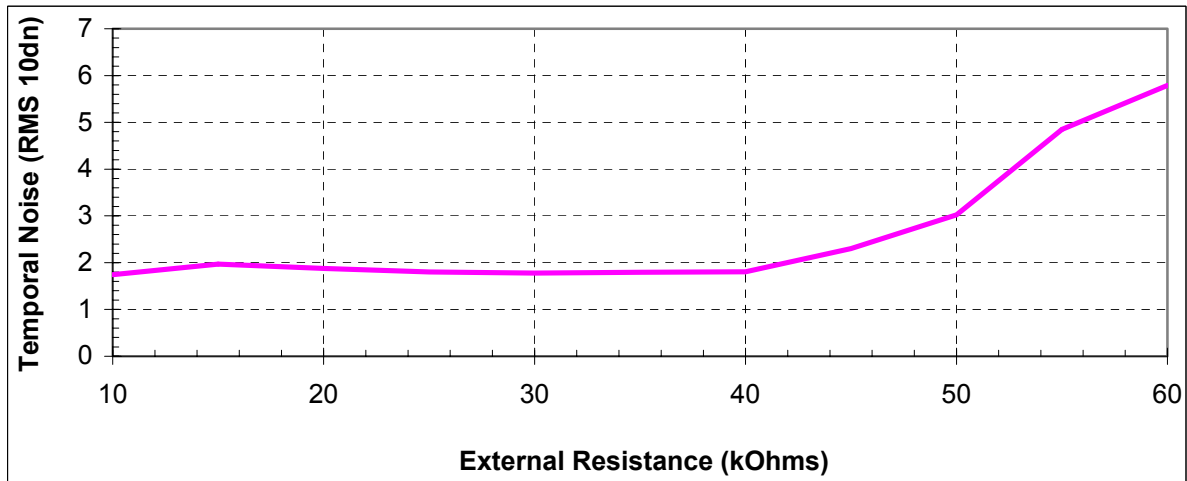


Figure 18: Temporal Noise Dependence on External Resistor

Symbol	Parameter	Value	Unit
V _{DD}	DC Supply Voltage	-0.5 to 3.8	V
V _{in}	DC Input Voltage	-0.5 to (V _{DD} + 0.5)	V
V _{out}	DC Output Voltage	-0.5 to (V _{DD} + 0.5)	V
I _{IO}	DC Current Drain per Pin, Any Single Input or Output	±50	mA
I _{DD}	DC Current Drain, V _{DD} and V _{SS} Pins	±100	mA
T _{STG}	Storage Temperature Range	-65 to +150	°C
T _L	Lead Temperature (10 second soldering)	300	°C

Notes:

- Voltages referenced to VSS
- Maximum Ratings are those values beyond which damage to the device may occur.
- V_{SS} = AV_{SS} = DV_{SS} = V_{SS0} (DV_{SS} = V_{SS} of Digital circuit, AV_{SS} = V_{SS} of Analog Circuit)
- V_{DD} = AV_{DD} = DV_{DD} = V_{DD0} (DV_{DD} = V_{DD} of Digital circuit, AV_{DD} = V_{DD} of Analog Circuit)

Table 4: Absolute Maximum Ratings

Symbol	Parameter	Min	Max	Unit
V _{DD}	DC Supply Voltage, V _{DD} = 3.3V (Nominal)	3.0	3.6	V
T _A	Commercial Operating Temperature	0	40	°C
T _J	Junction Temperature	0	55	°C

Notes:

- All parameters are characterized for DC conditions after thermal equilibrium has been established.
- Unused inputs must always be tied to an appropriate logic level, e.g. either VSS or VDD
- For proper operation it is recommended that Vin and Vout be constrained to the range VSS < (Vin or Vout) < VDD

Table 5: Recommended Operating Conditions

Symbol	Characteristic	Condition	T _A = 0 °C to 40 °C		Unit
			Min	Max	
V _{IH}	Input High Voltage		2.0	V _{DD} +0.3	V
V _{IL}	Input Low Voltage		-0.3	0.8	V
I _{in}	Input Leakage Current, No Pull-up Resistor	V _{in} = V _{DD} or V _{SS}	-5	5	μA
I _{OH}	Output High Current	V _{DD} = Min, V _{OH} Min = 0.8*V _{DD}	-3		mA
I _{OL}	Output Low Current	V _{DD} = Min, V _{OL} Max = 0.4V	3		mA
V _{OH}	Output High Voltage	V _{DD} =Min, I _{OH} = -100mA	V _{DD} - 0.2		V
V _{OL}	Output Low Voltage	V _{DD} = Min, I _{OL} = 100mA		0.2	V
I _{OZ}	3-State Output Leakage Current	Output = High Impedance, V _{out} = V _{DD} or V _{SS}	-10	10	μA
I _{DD}	Maximum Standby Supply Current	I _{OUT} = 0mA, V _{in} = V _{DD} or V _{SS}	0	15	mA

V_{DD} = 3.3V + 0.3V; V_{DD} referenced to V_{SS}; T_a = 0 C to 40 C

Table 6: DC Electrical Characteristics

Symbol	Parameter	Condition	Typ	Unit
P _{DYN}	Dynamic Power	13.5 MHz MCLK Clock frequency	250	mW
P _{STDBY}	Standby Power	STDBY Pin Logic High	25	mW
P _{AVG}	Average Power	13.5 MHz Operation (using STDBY)	200	mW

V_{DD} = 3.0V, V_{DD} referenced to V_{SS}, 25 °C

Table 7: Power Dissipation

OPERATION

The KAC-1310 includes initialization, standby modes, and external reference voltage outputs to afford the user additional application flexibility.

Initialization (Standby Mode)

The INIT input (pin 42) controls hardware re-initialization of the KAC-1310. This serves to assure controlled chip and system startup. The chip enters standby mode when INIT is asserted via a logic high input. This state must be held a minimum of 1 ms. The chip remains in low-power mode while in the INIT state.

When INIT is removed (logic low), the chip begins initialization. An additional 1 ms “wait period” should be allowed after INIT goes low. This ensures that the start-up routines within the KAC-1310 have run to completion, and that all holding and bypass capacitors, etc. have achieved their required steady-state values. Start-up tasks include resetting registers to their default values, resetting all internal counters and latches, and initializing the analog signal processing chain.

Standby Mode

The standby mode option is implemented to allow the user to reduce system power consumption during periods that do not require operation of the KAC-1310. This feature allows the user to extend battery life in low power applications.

By utilizing this mode, the user may reduce dynamic power consumption from 400mW (full power, full speed), to <50 mW in the standby mode (note that dynamic power consumption is also reduced in slower conversion speed applications).

The standby mode is activated by applying an active high signal to the INIT pin (#42). The

sensor can also be put in the stand by mode via the **sby** bit (“0”) on the Power Configuration Register (OC_n) (Table 19, page 47). The registers retain their programmed values and are not reset to default when the power configuration register is used to enter/exit standby mode.

The user may also reduce power consumption by placing the KAC-1310’s outputs in the tri-state mode. This action may be accomplished by setting the **dbt** bit on the Power Configuration Register (OC_n). In addition, further power savings can be obtained by increasing the external resistance value (see section 4.6).

Output Tristate

The Tristate Control Register (12_n), (Table 22 on page 50) is used to set the chip outputs into tristate. This functionality is useful if these outputs are on a buss that is being shared by other devices. When the **tsctl** bit is reset (ie “0”) the SOF, VCLK, HCLK, and STROBE output pins are placed in tristate mode. The 10 ADC output pins can be tristated by resetting the **tspix** bit (“0”).

Readout Order

Register 57_n (Table 47 on page 66) allows the user to change the direction of readout of the columns or rows. This can be used to compensate for and orientation of the imager in the optical system. The **rrc** when enabled causes the column data to be readout in the reverse direction as compared to the normal readout direction. The **rrr** when enabled causes the row data to be readout in the reverse direction as compared to the normal readout direction. The normal readout direction of the imager is shown in Figure 2 on page 7 (ie. bottom-to-top; left-to-right).

Readout Speed

The imager will hold all specifications from 1 MHz to 10 MHz. The nominal maximum speed is 10 MHz (10FPS). The imager will work well beyond this nominal maximum speed. As the speed increases beyond 10 MHz, the power consumption increases slightly, temporal noise rises linearly resulting in a decrease in dynamic range (see [Figure 17](#)), and ADC INL degrades. Severe

degradation in sensor performance will occur when operating in excess of 20 MHz. When operating at speeds greater than 10 MHz, it is possible that horizontal banding might occur. This is due to one of the sample and hold stages not settling. If this condition is observed, it can be rectified by widening the SHA and SHB pulses in registers 5F_h ([page 67](#)) and 60_h ([page 67](#)).

Note: this will change the T_{row} equation given on [page 34](#).

Further image improvements can also be obtained by increasing the power of the chip with the external resistor (see ["Internal Bias Current Control"](#)).

Note: When increasing the SHA and SHB pulses, the SOF Delay (Register 54_h) will need to be increased as well in order to place the syncs back in the same position relative to the first WOI valid pixel.

Internal Bias Current Control

The ASP chain has internally generated bias currents that result in an operating power consumption of nearly 400mW. By attaching a resistor between pin 19, EX-TRESA; and pin 20, EXTRESB; the user can reduce the power consumption of the device. This feature is enabled by writing a 1_b to bit **res** of the Power Configuration Register (0C_h). Figure 19 depicts

the power savings that can be achieved with an external resistor at nominal clock rate (10 MHz). An external resistance (R_{ext}) of 39 kΩ is recommended for optimal sensor performance. Additional power savings can be achieved at lower clock rates.

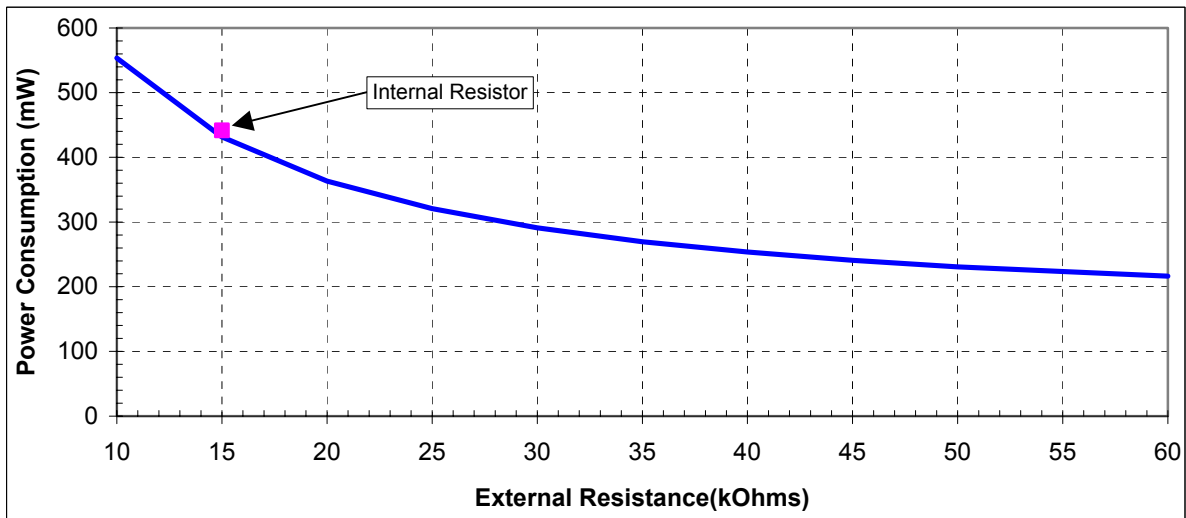


Figure 19: Power Consumption Dependence on External Resistor

TIMING

The waveforms depicted on the following pages show the output data stream for the KAC-1310 under various operating conditions. The individual SOF, VCLK, and HCLK pulse positions and widths can be moved and inverted using registers 40_h (Table 27, page 55), 54_h (Table 44, page 63), 55_h (Table 45, page 64), 56_h (Table 46, page 65), and 64_h (Table 50, page 68).

Horizontal Data Sync (VCLK)

This signal triggers the readout of the sequential rows of the frame. This signal is an output and can be read via Pin #44 of the sensor. The VCLK signal delay in relation to SOF, as well as its length can be set via the VCLK Delay Register (Table 45, page 64), and the SOF&VCLK Signal Length Control Register, (Table 46, page 65).

Start of Row Readout (SOF)

This signal triggers the start of the first row readout of the frame. This signal is an output and can be read via Pin #48 of the sensor. The SOF signal delay as well as its length can be set via the SOF Delay Register (Table 44, page 64), and the SOF & VCLK Signal Length Control Register, (Table 46, page 65).

Data Valid (HCLK)

This signal triggers a single active pixel data has been readout (example Column 2 of Row 5 data has been read out). This signal is an output and can be read via Pin #45 of the sensor. The HCLK signal delay can be set via the HCLK Delay Register (Table 50, page 68).

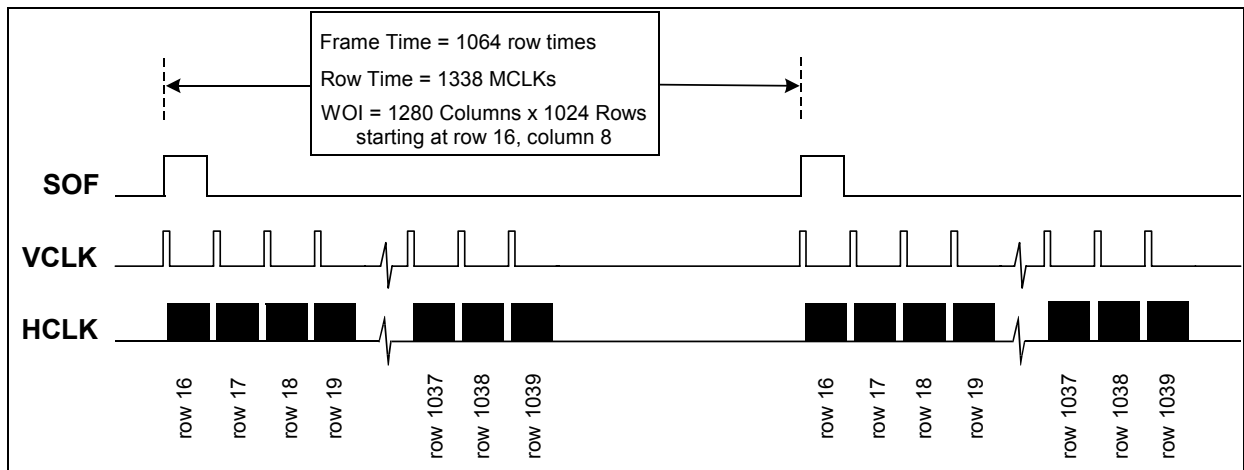


Figure 20: CFRS Default Frame Sync Waveforms

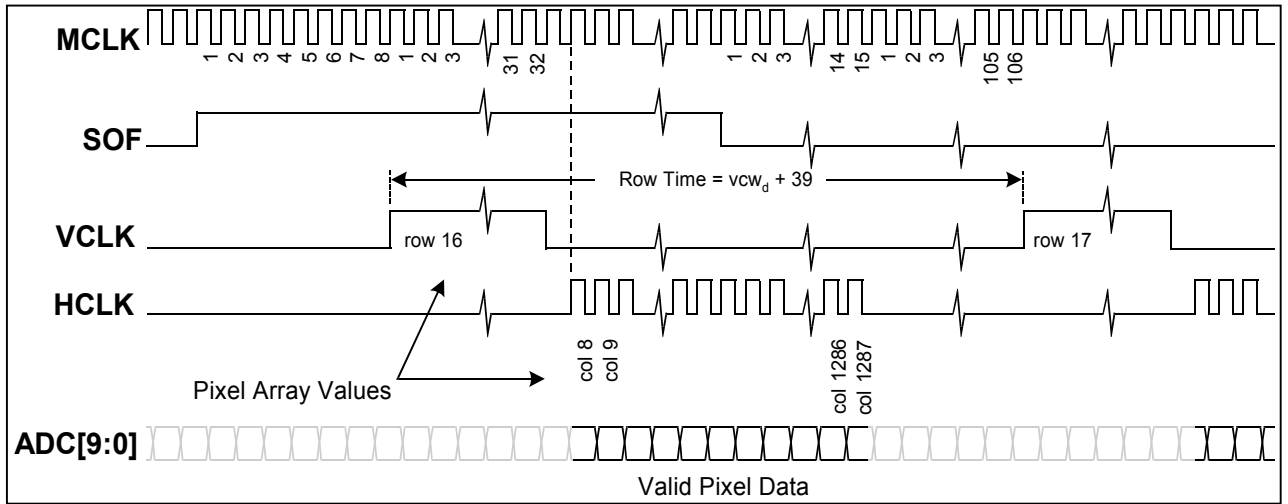


Figure 21: CFRS Default Row Sync Waveforms

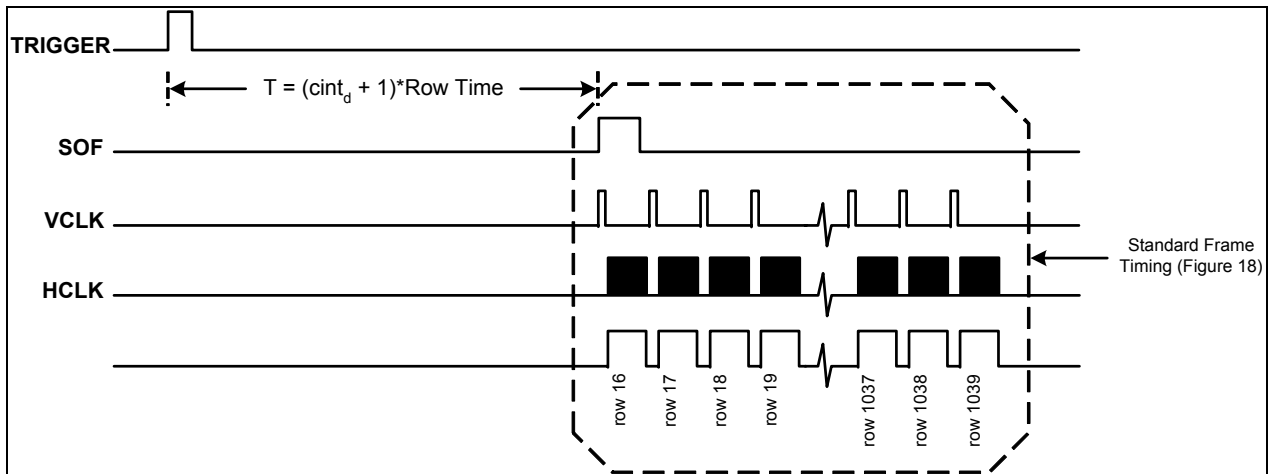


Figure 22: Single Frame Capture Mode (SFRS)

Symbol	Characteristic	Min	Typ	Max	Unit
f_{max}	MCLK maximum frequency	1	10	20	MHz
t_{ntrig}	TRIGGER hold time w.r.t. MCLK	3.5	-	9	ns
t_{sutrig}	TRIGGER setup time w.r.t. MCLK	3.0	-	8.5	ns
t_{dsof}	MCLK to SOF delay time	8	13	21.5	ns
t_{dvclk}	MCLK to VCLK delay time	8.5	13.5	22	ns
t_{drhclk}	Rising edge of MCLK to rising edge of HCLK delay time	7.5	13	22	ns
t_{dfhclk}	Falling edge of MCLK to falling edge of HCLK delay time	3	5	10.5	ns
t_{dadc}	MCLK to ADC[9:0] delay time	8	13	21.5	ns
t_{dblank}	MCLK to BLANK delay time	8	13	21.5	ns

Table 8: Pixel Data Bus and Sync Timing Specification

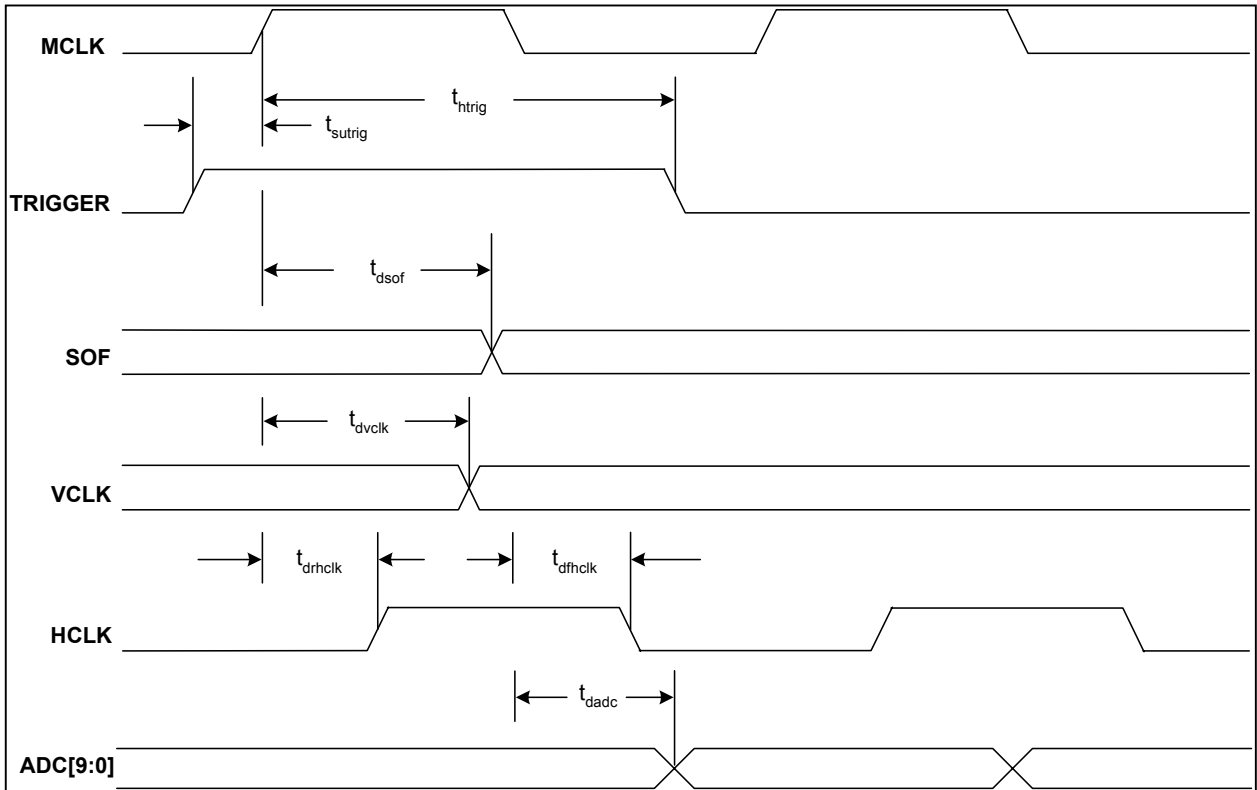


Figure 23: Pixel Data Bus Timing Diagram

Strobe Signal

The Strobe signal is an output pin on the KAC-1310 sensor. It can be activated by writing a “1” to **vsg** (bit 5) of the Trigger and Strobe Control Register (Table 29, page 57) while operating in SFRS mode. When activated, the Strobe signal goes high when all rows are integrating simultaneously and ends on row period (T_{row})

before the last row begins to integrate. The start of the strobe signal can also be set by the user. In default mode, when the strobe is activated, the signal fires two row periods before the first row begins to readout and lasts for a length of one T_{row} . A timing diagram for the Strobe signal is shown below in Figure 24.

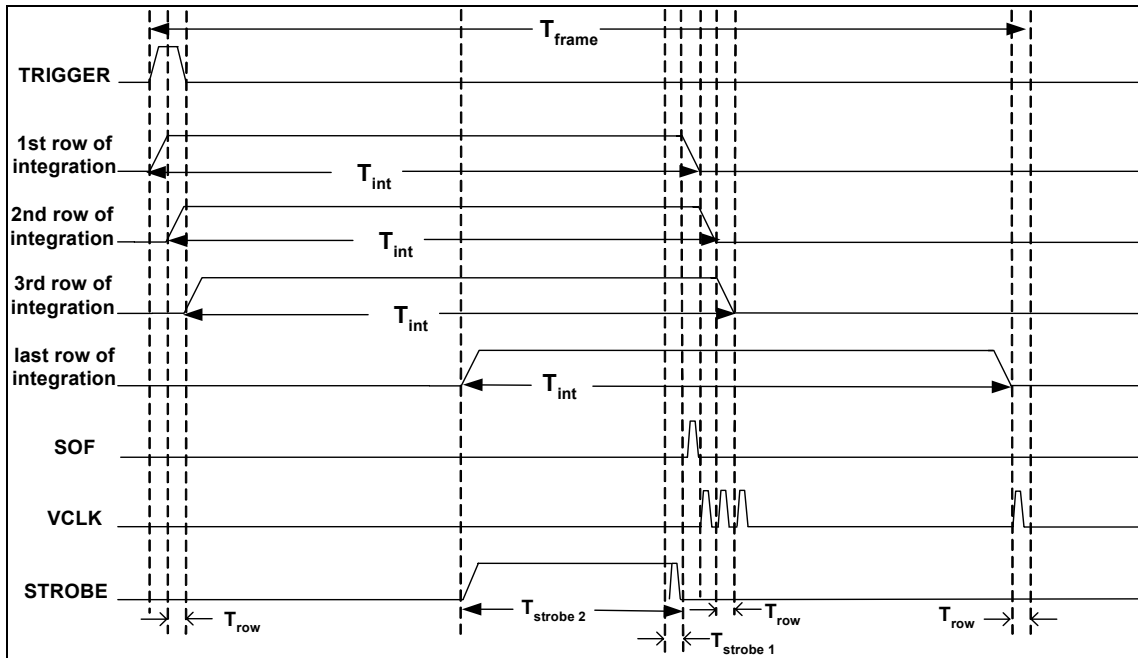


Figure 24: STROBE Output Waveforms

To ensure that the Strobe signal fires, the integration time must be large enough to ensure that all rows are integrating simultaneously for at least 2 row periods (T_{row}) where

$$\text{Row Time } (T_{row}) = (vcw_d + shA_d + shB_d + 19) * MCLK_{period}$$

To accomplish this, one must ensure that the integration time ($cint_d$) is more than 2 row periods (T_{row}) larger than the active Window of Interest Row depth (wrd_d). Therefore, minimum integration time:

$$T_{intmin} = (cint_{dmin} + 1) * T_{row}$$

where $cint_{dmin} = wrd_d + 3$.

$$T_{strobe1} = T_{row}$$

$$T_{strobe2} = T_{intmin} - (wrd_d + 1) * T_{row}$$

An example of Strobe related calculations is provided below:

Assumptions

- 1) Active Window of Interest = 1280 X 1024
ie. (vcwd) = 1279, (wrdd) = 1023
- 2) Virtual Column Width (vcwd) = 1290
- 3) Virtual Row Depth (vrdd)=1034

- 4) Sample & hold time (shA_d) = 10
- 5) Sample & hold time (shB_d) = 10
- 6) MCLK = 10 MHz

Variables

Integration Time ($cint_{dmin}$) is the main variable used to control the time of the Strobe signals.

$$T_{intmin} = (cint_{dmin} + 1) * T_{row}$$

Calculations

$$\begin{aligned} T_{row} &= (vcw_d + 10 + 10 + 19) * MCLK_{period} \\ &= (1290 + 39) * 1e-7 \\ &= 132.9\mu s \end{aligned}$$

$$\begin{aligned} T_{intmin} &= (cint_{dmin} + 1) * T_{row} \\ &= (wrd_d + 3 + 1) * T_{row} = (1023 + 4) * 132.9\mu s \\ &= 136.48 \text{ ms} \end{aligned}$$

$$\begin{aligned} T_{strobe2} &= T_{intmin} - (wrd_d + 1) * T_{row} \\ &= 136.48 \text{ ms} - [(1023 + 1) * 132.9\mu s] \\ &= 390.4 \mu s \end{aligned}$$

$$\begin{aligned} T_{Frame} &= T_{int} + T_{rd} \\ &= [(wrd_d) + (cint_d) + 2] * T_{row} \\ &= (1023 + 1026 + 2) * 132.9\mu s \\ &= 272.6 \text{ ms} \end{aligned}$$

Example Timing Summary:

Signal	Value
T_{row}	132.9 μs
T_{intmin}	136.48 ms
T_{strobe1}	132.9 μs
T_{strobe2}	390.4 μs
T_{Frame}	272.6 ms

I²C-COMPATIBLE SERIAL INTERFACE

The I²C is an industry standard which is also compatible with the Motorola bus (called M-Bus) that is available on many microprocessor products. The I²C contains a serial two-wire half-duplex interface that features bi-directional operation, master or slave modes, and multi-master environment support. The clock frequency on the system is governed by the slowest device on the board. The SDATA and SCLK are the bi-directional data and clock pins, respectively. These pins are open drain and will require a pull-up resistor to VDD of 1.5 KΩ to 10KΩ (see Table 1).

The I²C is used to write the required user system data into the Program Control Registers in the KAC-1310. The I²C bus can also read the data in

the Program Control Register for verification or test considerations. The KAC-1310 is a slave only device that supports a maximum clock rate (SCLK) of 1/24th MCLK while reading or writing only one register address per I²C start/stop cycle. The following sections will be limited to the methods for writing and reading data into the KAC-1310 register.

For a complete reference to I²C, see "The I²C Bus from Theory to Practice" by Dominique Paret and Carl-Fenger, published by John Wiley & Sons, ISBN 0471962686 or refer to Philip Standard online at:

<http://www.us2.semiconductors.philips.com/i2c/>.

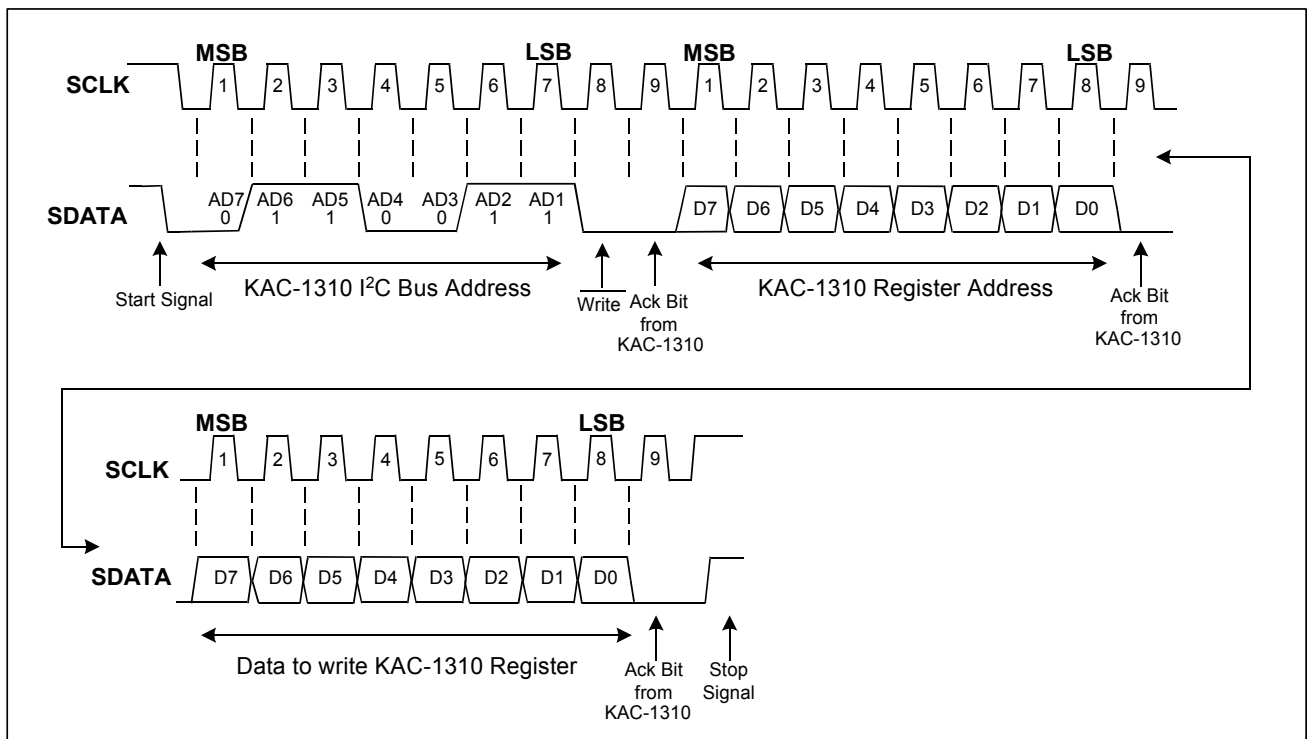


Figure 25: I²C Bus WRITE Cycle

KAC-1310 I²C Bus Protocol

The KAC-1310 uses the I²C bus to write or read one register byte per start/stop I²C cycle as shown in [Figure 25](#) and [Figure 26](#). These figures will be used to describe the various parts of the I²C protocol communications as it applies to the KAC-1310. KAC-1310 I²C bus communication is basically composed of following parts: START signal, KAC-1310 slave address (0110011_b) transmission followed by a R/W bit, an acknowledgment signal from the slave, 8-bit data transfer followed by another acknowledgment signal, STOP signal, Repeated START signal, and clock synchronization.

START Signal

When the bus is free, i.e. no master device is engaging the bus (both SCLK and SDATA lines are at logical "1"), a master may initiate communication by sending a START signal. As shown in [Figure 25 on page 36](#), a START signal is defined as a high-to-low transition of SDATA while SCLK is high. This signal denotes the beginning of a new data transfer and wakes up all the slaves on the bus.

Slave Address Transmission

The first byte of a data transfer, immediately after the START signal, is the slave address transmitted by the master. This is a 7-bit calling address followed by a R/W bit. The 7-bit address for the KAC-1310, starting with the MSB (AD7), is 0110011_b. The transmitted calling address on the SDATA line may only be changed while SCLK is low as shown in [Figure 25](#). The data on the SDATA line is valid on the High to Low signal transition on the SCLK line. The R/W bit following the 7-bits tells the slave the desired direction of data transfer: 1 = Read transfer, the slave transitions to a slave transmitter and sends the data to the master; 0 = Write transfer, the master transmits data to the slave.

Acknowledgment

Only the slave with a calling address that matches the one transmitted by the master will respond by sending back an acknowledge bit. This is done by pulling the SDATA line low at the 9th clock (see [Figure 26 on page 39](#)). If an acknowledgement is not received, many I²C master devices will assume that the slave device is not functioning. No two

slaves in the system may have the same address. The KAC-1310 is configured to be a slave only.

Data Transfer

Once successful slave addressing is achieved, data transfer can proceed between the master and the selected slave in a direction specified by the R/W bit sent by the calling master. Note that for the first byte after a start signal (in [Figure 25](#) and [Figure 26](#)), the R/W bit is always a "0" designating a write transfer. This is required since the next data transfer will contain the register address to be read or written. All transfers that come after a calling address cycle are referred to as data transfers, even if they carry sub-address information for the slave device. Each data byte is 8 bits long. Data may be changed only while SCLK is low and must be held stable while SCLK is high as shown in [Figure 25](#). There is one clock pulse on SCLK for each data bit, the MSB being transferred first.

Each data byte has to be followed by an acknowledge bit, which is signaled from the receiving device by pulling the SDATA low at the ninth clock. So one complete data byte transfer needs nine clock pulses. If the slave receiver does not acknowledge the master, the SDATA line must be left high by the slave. The master can then generate a stop signal to abort the data transfer or a start signal (repeated start) to commence a new calling. If the master receiver does not acknowledge the slave transmitter after a byte transmission, it means 'end of data' to the slave, so the slave releases the SDATA line for the master to generate STOP or START signal.

Stop Signal

The master can terminate the communication by generating a STOP signal to free the bus. However, the master may generate a START signal followed by a calling command without generating a STOP signal first. This is called a Repeated START. A STOP signal is defined as a low-to-high transition of SDATA while SCLK is at logical "1" (see [Figure 25](#)). The master can generate a STOP even if the slave has generated an acknowledge bit at which point the slave must release the bus.

Repeated START Signal

A Repeated START signal is a START signal generated without first generating a STOP signal to terminate the communication. This is used by the master to communicate with another slave or with the same slave in a different mode (transmit/receive mode) without releasing the bus. As shown in [Figure 26, page 39](#), a Repeated START signal is being used during the read cycle and to redirect the data transfer from a write cycle (master transmits the register address to the slave) to a read cycle (slave transmits the data from the designated register to the slave).

I²C Bus Clocking and synchronization

Open drain outputs are used on the SCLK outputs of all master and slave devices so that the clock can be synchronized and stretched using wire-AND logic. This means that the slowest device will keep the bus from going faster than it is capable of receiving or transmitting data.

After the master has driven SCLK from High to Low, all the slaves drive SCLK Low for the required period that is needed by each slave device and then releases the SCLK bus. If the slave SCLK Low period is greater than the master SCLK Low period, the resulting SCLK bus signal Low period is stretched. Therefore, synchronized clocking occurs since the SCLK is held low by the device with the longest Low period. Also, this method can be used by the slaves to slow down the bit rate of a transfer. The master controls the length of time that the SCLK line is in the High state. The data on the SDATA line is valid when the master switches the SCLK line from a High to a Low. Slave devices may hold the SCLK low after completion of one byte transfer (9 bits). In such case, it halts the bus clock and forces the master clock into wait states until the slave releases the SCLK line.

Register Write

Writing the KAC-1310 registers is accomplished with the following I²C transactions (see [Figure 25 page 36](#)):

- Master transmits a START
- Master transmits the KAC-1310 Slave Calling Address with “WRITE” indicated (BYTE=66_h, 102_d, 01100110_b)

- KAC-1310 slave sends acknowledgment by forcing the SDATA Low during the 9th clock, if the Calling Address was received
- Master transmits the KAC-1310 Register Address
- KAC-1310 slave sends acknowledgment by forcing the SDATA Low during the 9th clock after receiving the Register Address
- Master transmits the data to be written into the register at the previously received Register Address
- KAC-1310 slave sends acknowledgment by forcing the SDATA Low during the 9th clock after receiving the data to be written into the Register Address
- The Master transmits STOP to end the write cycle

Register Read

Reading the KAC-1310 registers is accomplished with the following I²C transactions (see [Figure 26, page 39](#)):

- Master transmits a START
- Master transmits the KAC-1310 Slave Calling Address with “WRITE” indicated (BYTE=66_h, 102_d, 01100110_b)
- KAC-1310 slave sends acknowledgment by forcing the SDATA Low during the 9th clock, if the Calling Address was received
- Master transmits the KAC-1310 Register Address
- KAC-1310 slave sends acknowledgment by forcing the SDATA Low during the 9th clock after receiving the Register Address
- Master transmits a Repeated START
- Master transmits the KAC-1310 Slave Calling Address with “READ” indicated (BYTE = 67_h, 103_d, 01100111_b)
- KAC-1310 slave sends acknowledgment by forcing the SDATA Low during the 9th clock, if the Calling Address was received
- At this point, the KAC-1310 transitions from a “Slave-Receiver” to a “Slave-Transmitter”
- KAC-1310 sends the SCLK and the Register Data contained in the Register Address that was previously received from the master; KAC-1310 transitions to slave-receiver
- Master does not send an acknowledgment (NAK)
- Master transmits STOP to end the read cycle

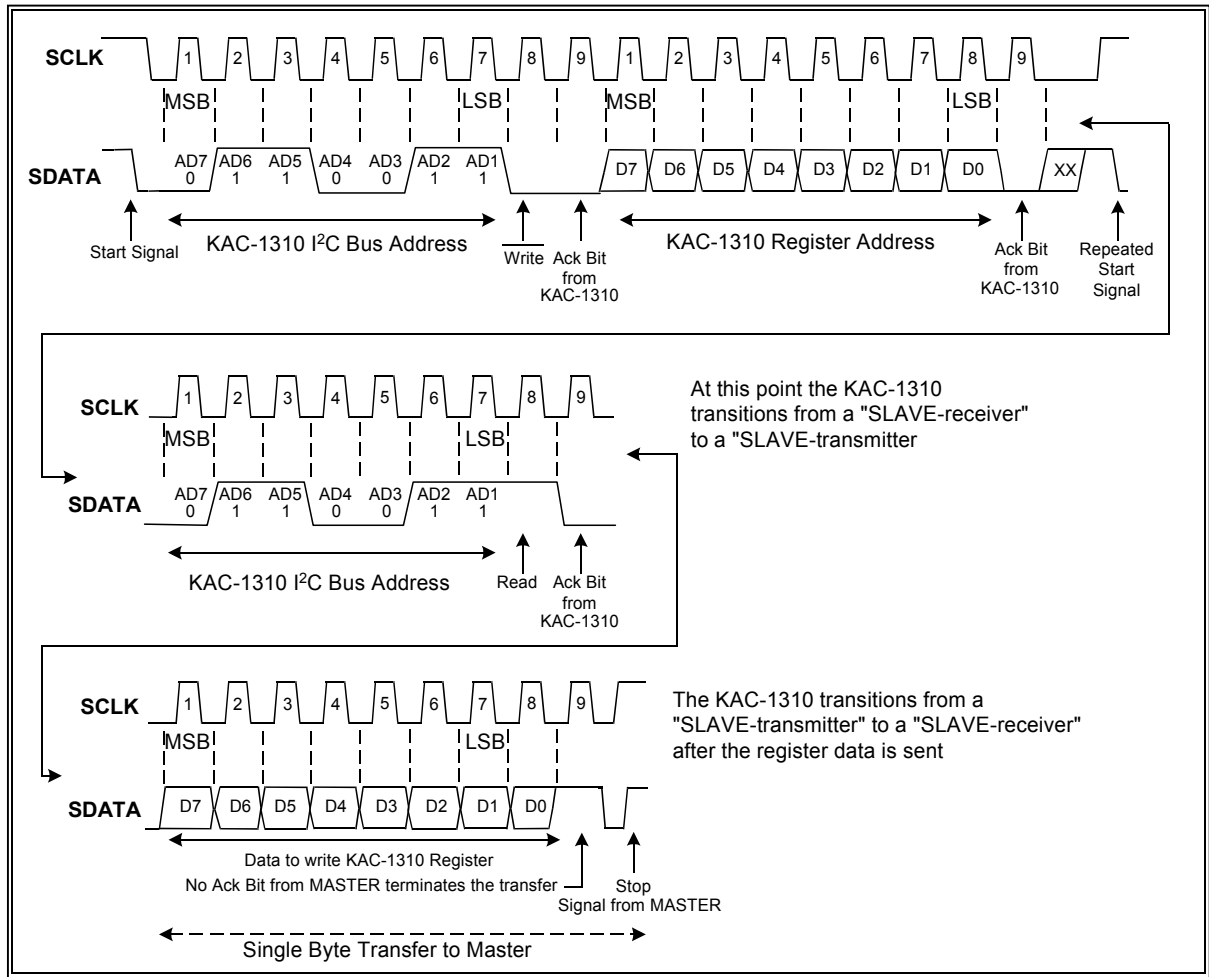


Figure 26: I2C Bus READ Cycle

Symbol	Characteristic	Min	Max	Unit
f_{max}	SCLK maximum frequency	50	1/24 MCLK	KHz ¹
M1	Start condition SCLK hold time	4	-	T_{MCLK}^3
M2	SCLK low period	8	-	T_{MCLK}
M3	SCLK/SDATA rise time [from $V_{IL} = (0.2)*V_{DD}$ to $V_{IH} = (0.8)*V_{DD}$]	-	0.3	μs^2
M4	SDATA hold time	4	-	T_{MCLK}^3
M5	SCLK/SDATA fall time (from $V_h = 2.4V$ to $V_l = 0.5V$)	-	0.3	μs^2
M6	SCLK high period	4	-	T_{MCLK}
M7	SDATA setup time	4	-	T_{MCLK}^3
M8	Start / Repeated Start condition SCLK setup time	4	-	T_{MCLK}
M9	Stop condition SCLK setup time	4	-	T_{MCLK}
C_i	Capacitive for each I/O pin	-	10	pF
C_{bus}	Capacitive bus load for SCLK and SDATA	-	200	pF
R_p	Pull-up Resistor on SCLK and SDATA	1.5	10	$k\Omega^4$

Table 9: I²C-compatible Serial Interface Timing Specification

Notes:

1. SCLK frequency maximum limit is 1/24 MCLK frequency.
2. The capacitive load is 200pF
3. The unit T_{MCLK} is the period of the input master clock; the frequency of MCLK is assumed 10.0 MHz.⁴A pull-up resistor to VDD is required on each of the SCLK and SDATA lines; for a maximum bus capacitive load of 200pF, the minimum value of R_p should be selected in order to meet specifications. I2C is a proprietary Philips interface bus.

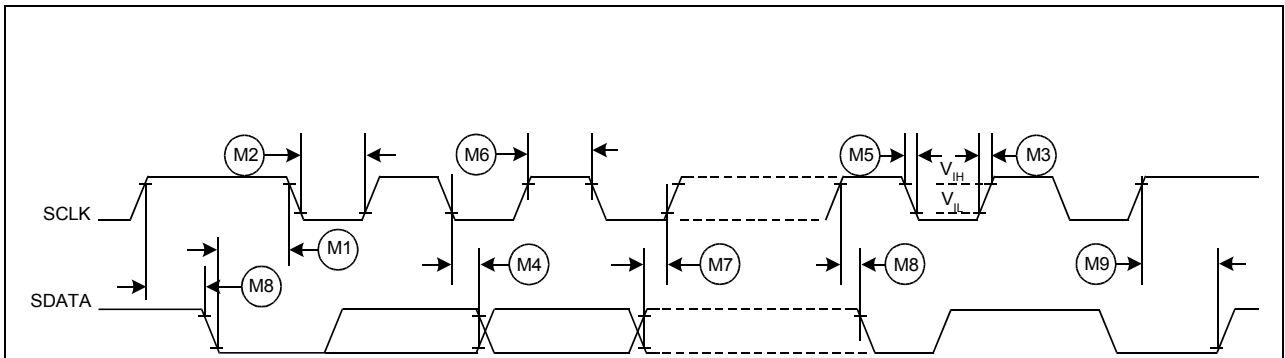


Figure 27: I²C Bus Timing

REGISTER LIST REFERENCE

Note: In each table where a suffix code is used; h = hex, b = binary, and d = decimal.

The I²C addressing is broken up into groups and assigned to a specific digital block. The designated block is responsible for driving the internal control bus, when the assigned range of addresses is present on the internal address bus. The grouping designation and assigned range are listed in [Table 10](#). Each block contains registers that are loaded and read by the digital and analog blocks to provide configuration control via the I²C serial interface.

Address Range	Block Name
00 _h – 2F _h	Analog Register Interface
40 _h – 7F _h	Sensor Interface
80 _h – BF _h	Column Offset Coefficients

Table 10. I²C Address Range Assignments

[Table 11](#) and [Table 12](#) contain all the I²C address assignments. The table includes a column indicating whether the register values are shadowed with respect to the sensor interface. If the register is shadowed, the sensor interface will only be updated upon frame boundaries, thereby eliminating intra-frame artifacts resulting from register changes.

Hex Address	Register Function	Default	Ref Table	Shadowed?
00 _h	DPGA Color 1 Gain Register (Green1 or Cyan)	0E _h	Table 13, pg 44	Yes
01 _h	DPGA Color 2 Gain Register (Red or Yellow1)	0E _h	Table 14, pg 45	Yes
02 _h	DPGA Color 3 Gain Register (Blue or Yellow2)	0E _h	Table 15, pg 45	Yes
03 _h	DPGA Color 4 Gain Register (Green2 or Magenta)	0E _h	Table 16, pg 45	Yes
04 _h	<i>Unused</i>			
05 _h	<i>Factory Use Only</i>			
06 _h	<i>Factory Use Only</i>			
07 _h	<i>Factory Use Only</i>			
08 _h	<i>Factory Use Only</i>			
09 _h	<i>Factory Use Only</i>			
0A _h	Negative ADC Reference Register	76 _h	Table 17, pg 46	No
0B _h	Positive ADC Reference Register	80 _h	Table 18, pg 46	No
0C _h	Power Configuration Register	00 _h	Table 19, pg 47	No
0D _h	<i>Factory Use Only</i>			
0E _h	Reset Control Register	00 _h	Table 20, pg 48	No
0F _h	Device Identification (read only)	50 _h		No
10 _h	PGA Exposure (Global) Gain A Register	0E _h	Table 21, pg 49	Yes
11 _h	<i>Unused</i>			
12 _h	Tristate Control Register	03 _h	Table 22, pg 50	
13 _h	<i>Factory Use Only</i>			
14 _h → 1F _h	<i>Unused</i>			
20 _h	Column DOVA DC Register	00 _h	Table 23, pg 51	No
21 _h	PGA Exposure Global Gain B Register	0E _h	Table 24, pg 52	Yes
22 _h	PGA Gain Mode Register	00 _h	Table 25, pg 53	No
23 _h	ADC DOVA Register	00 _h	Table 26, pg 54	No
24 _h → 3F _h	<i>Unused</i>			

Table 11: I²C Address Assignments (0_h- 3F_h)

Hex Address	Register Function	Default	Ref Table	Shadowed?
40 _h	Capture Mode Register	2A _h	Table 27, pg 55	Yes
41 _h	Sub-Sample Control Register	10 _h	Table 28, pg 56	Yes
42 _h	TRIGGER and Strobe Control Register	02 _h	Table 29, pg 57	Yes
43 _h → 44 _h	<i>Unused</i>			
45 _h	WOI Row Pointer MSB Register	00 _h	Table 30, pg 58	Yes
46 _h	WOI Row Pointer LSB Register	10 _h	Table 31, pg 58	Yes
47 _h	WOI Row Depth MSB Register	03 _h	Table 34, pg 59	Yes
48 _h	WOI Row Depth LSB Register	FF _h	Table 35, pg 60	Yes
49 _h	WOI Column Pointer MSB Register	00 _h	Table 32, pg 59	Yes
4A _h	WOI Column Pointer LSB Register	08 _h	Table 33, pg 59	Yes
4B _h	WOI Column Width MSB Register	04 _h	Table 36, pg 60	Yes
4C _h	WOI Column Width LSB Register	FF _h	Table 37, pg 60	Yes
4D _h	<i>Unused</i>			
4E _h	Integration Time MSB Register	04 _h	Table 38, pg 61	Yes
4F _h	Integration Time LSB Register	FF _h	Table 39, pg 61	Yes
50 _h	Virtual Frame Row Depth MSB Register	04 _h	Table 40, pg 62	Yes
51 _h	Virtual Frame Row Depth LSB Register	27 _h	Table 41, pg 63	Yes
52 _h	Virtual Frame Column Width MSB Register	05 _h	Table 42, pg 63	Yes
53 _h	Virtual Frame Column Width LSB Register	13 _h	Table 43, pg 63	Yes
54 _h	SOF Delay Register	4C _h	Table 44, pg 64	No
55 _h	VCLK Delay Register	02 _h	Table 45, pg 64	No
56 _h	SOF & VLCK Width Register	0E _h	Table 46, pg 65	No
57 _h	Readout Direction Control Register	04 _h	Table 47, pg 66	No
58 _h → 5E _h	<i>Unused</i>			
5F _h	Internal Timing Control Register (SHA)	0A _h	Table 48, pg 67	Yes
60 _h	Internal Timing Control Register (SHB)	0A _h	Table 49, pg 67	Yes
61 _h → 63 _h	<i>Factory Use Only</i>			
64 _h	Clamp Control and HCLK Delay Register	5C _h	Table 50, pg 68	Yes
65 _h	Encoded Sync Register	00 _h	Table 51, pg 69	
66 _h	<i>Unused</i>			
67 _h → 68 _h	<i>Factory Use Only</i>			
69 _h → 7F _h	<i>Unused</i>			
80 _h → BF _h	Mod64 Col Offset Registers	00 _h	Table 52, pg 70	
C0 _h → FF _h	<i>Unused</i>			

Table 12: I²C Address Assignments (40_h - FF_h)

DETAILED REGISTER BLOCK ASSIGNMENTS

This section describes in further detail the functional operation of the various KAC-1310 programmable registers.

Color Gain Registers 00_h → 03_h

The four Color Gain Registers, Color Tile Configuration Register, and four Color Tile Row definitions define how white balance is achieved on the device. Six-bit gain codes can be selected for four separate colors: [Table 13](#), [Table 14](#), [Table 15](#), and [Table 16](#). Gain for each individual color

register is programmable given the gain function defined in the table. The user programs these registers to account for changing light conditions to assure a white balanced output. The default value in each register provides for a unity gain for the default Raw Mode. In addition, the default CFA pattern color is listed in the title of each register.

The Gain Mode is set by Register 22_h, [Table 25](#) on [page 53](#).

Raw Gain Mode (WB and Exposure)

$$\begin{aligned} \text{Gain} &\approx 0.6950 + 0.02175 * \text{Reg}_d & 0 \leq \text{Reg}_d \leq 31 & (0.0695x \rightarrow 1.36925x) \\ &\approx 1.3475 + 0.04350 * (\text{Reg}_d - 31) & 32 \leq \text{Reg}_d \leq 63 & (1.3910x \rightarrow 2.7395x) \end{aligned}$$

Lin1 Gain Mode (WB and Exposure)

$$\text{Gain} \approx 0.6950 + 0.04350 * \text{Reg}_d \quad 0 \leq \text{Reg}_d \leq 47 \quad (0.695x \rightarrow 2.7395x)$$

Lin2 Gain Mode (Exposure gain stage only)

$$\text{Gain} \approx 0.483 + 0.11119 * (\text{Reg } 10_{h,d}) \quad 0 \leq \text{Reg}_d \leq 63 \quad (0.483x \rightarrow 7.488x)$$

Address		PGA Color 1 Gain Code					Default
00 _h		Green1 or Cyan					0E _h
7 (msb)	6	5	4	3	2	1	0 (lsb)
x	x	cg1[5]	cg1[4]	cg1[3]	cg1[2]	cg1[1]	cg1[0]
Bit Number	Function	Description					Reset State
7 - 6	Unused	Unused					xx _b
5 - 0	Gain	See Gain Equation Default Gain in Raw mode = 1.0 Default Gain in Lin1 Mode = 1.3					001110 _b

Table 13: PGA Color 1 Gain Register (00_h)

Address		PGA Color 2 Gain Code					Default	
01 _h		Red or Yellow1					0E _h	
7 (msb)	6	5	4	3	2	1	0 (lsb)	
x	x	cg2[5]	cg2[4]	cg2[3]	cg2[2]	cg2[1]	cg2[0]	
Bit Number	Function	Description					Reset State	
7 - 6	Unused	Unused					xx _b	
5 - 0	Gain	See Gain Equation Default Gain in Raw mode = 1.0 Default Gain in Lin1 Mode = 1.3					001110 _b	

Table 14: PGA Color 2 Gain Register (01_h)

Address		PGA Color 3 Gain Code					Default	
02 _h		Blue or Yellow2					0E _h	
7 (msb)	6	5	4	3	2	1	0 (lsb)	
x	x	cg3[5]	cg3[4]	cg3[3]	cg3[2]	cg3[1]	cg3[0]	
Bit Number	Function	Description					Reset State	
7 - 6	Unused	Unused					xx _b	
5 - 0	Gain	See Gain Equation Default Gain in Raw mode = 1.0 Default Gain in Lin1 Mode = 1.3					001110 _b	

Table 15: PGA Color 3 Gain Register (02_h)

Address		PGA Color 4 Gain Code					Default	
03 _h		Green2 or Magenta					0E _h	
7 (msb)	6	5	4	3	2	1	0 (lsb)	
x	x	cg4[5]	cg4[4]	cg4[3]	cg4[2]	cg4[1]	cg4[0]	
Bit Number	Function	Description					Reset State	
7 - 6	Unused	Unused					xx _b	
5 - 0	Gain	See Gain Equation Default Gain in Raw mode = 1.0 Default Gain in Lin1 Mode = 1.3					001110 _b	

Table 16: PGA Color 4 Gain Register (03_h)

Reference Voltage Adjust Registers (0A_h, 0B_h)

The analog register block allows programming the input voltage range of the analog to digital converter to match the saturation voltage of the pixel array (this effectively sets the *mV/dn* conversion ratio). The voltage reference generator can be programmed via two registers; “positive” ADC reference voltage (**prv**) (2.5V to 1.25V) in Table 18, and “negative” ADC reference voltage (**nrv**) (0 to 1.25V) in Table 17, in 5mV steps. The default settings for **prv** produce a 1.86V positive reference. The default settings for **nrv** produce a 0.59V negative reference. These two references define the ADC analog input range. When adjusting these values, the user should keep the voltage range centered at 1.25V. These ADC references can be adjusted to mV/DN of the ADC. This effectively acts as another gain stage just before the ADC. Excessive adjustment of these values from their default can result in

increased power consumption and increased image artifacts. The following equation defines the mV/DN at the input to the ADC:

If the 20x gain provided by the PGAs is not sufficient, the ADC references can be used to

$$\frac{mV}{10dn} = \frac{2(V^+ - V^-)}{1024} = \frac{2(1.86 - 0.59)}{1024} = 2.48 \frac{mV}{10dn}$$

apply additional gain to the ASP. To increase the gain the ADC references need to be moved closer to V_{cm} (1.25V). This should be used only after the PGAs have been used to their fullest since moving the ADC references too far will degrade the ADC performance. The effective gain of the ADC block will be:

$$Gain = \frac{2.48}{\frac{2(V^+ - V^-)}{1024}}$$

Address		"Negative" ADC Reference Voltage						Default
0A _h								76 _h
7 (msb)	6	5	4	3	2	1	0 (lsb)	
nrv[7]	nrv[6]	nrv[5]	nrv[4]	nrv[3]	nrv[2]	nrv[1]	nrv[0]	
Bit Number	Function	Description					Reset State	

Table 17: Negative Voltage Reference Register (0A_h)

Address		"Positive" ADC Reference Voltage						Default
0B _h								80 _h
7 (msb)	6	5	4	3	2	1	0 (lsb)	
prv[7]	prv[6]	prv[5]	prv[4]	prv[3]	prv[2]	prv[1]	prv[0]	
Bit Number	Function	Description					Reset State	
7 - 0	Reference	Voltage = 2.5 - (5mV * prv _d)					10000000 _b (1.86V)	

Table 18: Positive Voltage Reference Register (0B_h)

Power Configuration Registers (0C_h)

The Power Configuration Register controls the internal analog functionality that directly affects power consumption of the device. A pair of external precision resistor pins are available on the KAC-1310 that may be used to more accurately regulate the internal current sources. This serves to minimize variations in power consumption that are caused by variations in internal resistor values as well as offer a method to reduce the power consumption of the device. The default for this control uses the internally provided resistor which is nominally 12.5kΩ. This feature is enabled by setting the **res** bit of the Power Configuration Register and placing a resistor between the EXTRESA and EXTRESB pins. Figure 19 on page 30 depicts the power savings that can be achieved with an external

resistor at the nominal clock rate of 10 MHz. Power is further reduced at lower clock rates. Figure 18 shows how the noise of the system is affected by the EXTRES. It is recommended that the External Resistor be kept at 39kΩ at nominal speed. The optimal EXTRES value will change based on system needs and chip frequency.

The KAC-1310 is put into a standby mode via the I²C interface by setting the **sby** bit of the Power Configuration Register. While the imager is in this mode the power consumption is reduced considerably (see Table 19). Also, the I²C continues to work and any number of registers can be programmed. Upon leaving standby state the imager will remember all register settings and apply them to the first imager captured.

Address		Power Configuration						Default
0C _h								00 _h
7 (msb)		6	5	4	3	2	1	0 (lsb)
x		x	x	fuo	res	fuo	fuo	sby
Bit Number	Function	Description						Reset State
7 - 5	Unused	Unused						xxx _b
4	FUO	Factory Use Only						0 _b
3	Int/Ext Resistor	0 _b = Internal Resistor 1 _b = External Resistor						0 _b
2 - 1	FUO	Factory Use Only						00 _b
0	Software Standby	0 _b = Soft Standby Inactive 1 _b = Soft Standby Active						0 _b

Table 19: Power Configuration Register (0C_h)

Reset Control Register (0E_h)

Setting the **asr**, **ssr**, **par**, and **sir** bits of this register will reset all the non-user programmable registers to a known reset state. All programmable registers will retain their values. This is useful in situations when control of the KAC-1310 has been lost due to system interrupts and the device needs only be restarted using the earlier user programmed values. Setting the **sit** bit allows the user to completely reset the KAC-

1310 to the default state via the serial control interface. All user programmable registers will revert to default values. For each of these reset bits a value of 0 must be sent to register 0E_h after use to take the imager back out of reset mode. Typically only the first two bits are needed. Bit 1 (**ssr**) resets all state machines and internal registers, but leaves the programmable registers intact. Bit 0 (**sit**) resets all registers, internal and user programmable to default values.

Address		Reset Control						Default
0E _h								00 _h
7 (msb)		6	5	4	3	2	1	0 (lsb)
x		x	x	asr	par	sir	ssr	sit
Bit Number	Function	Description						Reset State
7 - 5	Unused	Unused						xxx _b
4	ASP(A2D) Reset	0 _b = Normal Mode 1 _b = Reset registers in the ASP and ADC (state machine reset)						0 _b
3	Post ADC Reset	0 _b = Normal Mode 1 _b = Reset non-programmable POST ADC internal registers to init state						0 _b
2	Sensor Interface Reset	0 _b = Normal Mode 1 _b = Reset non-programmable Sensor Interface registers (state machines) to init state						0 _b
1	State Reset	0 _b = Normal Mode 1 _b = Reset all non-programmable registers to default state						0 _b
0	Soft Reset	0 _b = Normal Mode 1 _b = Reset all registers to default state (all programmed regs>default)						0 _b

Table 20: Reset Control Register (0E_h)

Exposure Gain A Register (10_h)

The PGA Exposure (Global) Gain Register allows the user to set one of the global gains via a 6-bit register. This is applied universally to all the pixel outputs. This enables the user to account for varying light conditions. The gain range depends on the Exposure Gain Mode setting (Register 22_h, Table 25 on page 53). In Raw or Lin1 mode both Exposure Gain A (10_h) and Exposure Gain B (21_h) are programmed as successive gains stages. If Lin2 Mode is selected then Register 10_h is used to

program both Exposure gain stages as if they were one linear gain stage. Further discussion of the Gain stages can be found the Programmable Gain Amplifier section on page 17, and in the Global Digital Offset Adjustment section on page 20. If register 10_h is increased to its maximum and still more gain is needed, Exposure Gain B can then be increased, via Register 21_h, Table 24 on page 52.

The gain equations of each gain mode are:

Raw Gain Mode (WB and Exposure)

$$\begin{aligned} \text{Gain} &\approx 0.6950 + 0.02175 * \text{Reg}_d & 0 \leq \text{Reg}_d \leq 31 & (0.0695x \rightarrow 1.36925x) \\ &\approx 1.3475 + 0.04350 * (\text{Reg}_d - 31) & 32 \leq \text{Reg}_d \leq 63 & (1.3910x \rightarrow 2.7395x) \end{aligned}$$

Lin1 Gain Mode (WB and Exposure)

$$\text{Gain} \approx 0.6950 + 0.04350 * \text{Reg}_d \quad 0 \leq \text{Reg}_d \leq 47 \quad (0.695x \rightarrow 2.7395x)$$

Lin2 Gain Mode (Exposure gain stage only)

$$\text{Gain} \approx 0.483 + 0.11119 * (\text{Reg } 10_{h,d}) \quad 0 \leq \text{Reg}_d \leq 63 \quad (0.483x \rightarrow 7.488x)$$

NOTE: the gain step size of Lin2 Mode is almost, but not completely uniform. Any one step may deviate from the mean step size of 0.11119 by a small amount. This is due to the fact that Lin2 Mode actually varies two gain stages with fixed step sizes to make one equivalent gain step.

Address		Global Gain A						Default
10 _h								0E _h
7 (msb)	6	5	4	3	2	1	0 (lsb)	
x	x	gg1[5]	gg1[4]	gg1[3]	gg1[2]	gg1[1]	gg1[0]	
Bit Number	Function	Description						Reset State
7 - 6	Unused	Unused						xx _b
5 - 0	Gain	Gain equation depends on Gain Mode: Raw, Lin1, or Lin2 (Default is unity gain for Raw mode)						001110 _b

Table 21: A Exposure Gain A Register (10_h)

Tristate Control Register (12_h)

The Tristate Control Register is used to set the chip outputs into tristate. This functionality is useful if these outputs are on a bus that is being shared by other devices. When the **tsctl** bit is

reset (ie “0”) the SOF, VCLK, HCLK, and STROBE output pins are placed in tristate mode. The 10 ADC output pins can be tristated by resetting the **tspix** bit (“0”).

Address		Tristate Control						Default
12 _h								03 _h
7 (msb)	6	5	4	3	2	1	0 (lsb)	
FUO	FUO	FUO	FUO	FUO	FUO	tsct	tspix	
Bit Number	Function	Description					Reset State	
7 - 2	FUO	Factory Use Only					000000 _b	
1	Sync Tristate	0 _b = HCLK, SOF, VCLK, and Strobe sync pins tristated 1 _b = Sync pins driven					1 _b	
0	ADC Tristate	0 _b = ADC outputs pins tristated 1 _b = ADC output pins driven					1 _b	

Table 22: Tristate Control Register (12_h)

Column DOVA DC Register (20_h)

Offset adjustments for the KAC-1310 are done in separate sections of the ASP to facilitate FPN removal and final image black level set. The primary purpose of the Column DOVA DC Register is to compensate for pre-gain offset. If this register is set to zero the user may find that the dark level of some chips may move with different programmed gain values. In addition the white balance gain stage can result in different effective dark levels for different colors. These effects MAY cause distortion with certain post image signal processing. In these cases the Column DOVA DC Register can be programmed such that the dark pixel level is independent of programmed gain values. The simplest method for setting this register is to place the imager in the dark and record the mean value for the dark pixels. Then increase the global gain register (10_h) to the maximum gain to be used in the application. Adjust register 20_h until the dark level

has returned to the level previously recorded with unity gain. This process can be repeated again for greater accuracy since the dark level at unity gain will now have shifted slightly. For many applications, this register can be left in its default state of 00_h. If during the calibration of this register the value of any pixels are observed to be clipping at zero counts, it is then necessary to temporarily increase the ADC DOVA (reg 23_h) to avoid clipping. Register 20_h should not be used to adjust the code value of the dark level for the ADC, this should always be done with the ADC DOVA (reg 23_h)

The Column DOVA stage is also used to correct for patterned column noise. This is done pre-gain. The column pattern correction offsets are defined in Reg 80_h → BF_h, see Table 52 on page 70. The Column DOVA stage has only six bits of programmability. Registers 20_h is added to the value in 80_h → BF_h for that column. The final sum is clipped to ±32_d.

Address		Column DOVA DC						Default
20 _h								00 _h
7 (msb)	6	5	4	3	2	1	0 (lsb)	
x	x	cdd[5]	cdd[4]	cdd[3]	cdd[2]	cdd[1]	cdd[0]	
Bit Number	Function	Description					Reset State	
7 - 6	Unused	Unused					xx _b	
5	Sign	0 _b = Positive Offset 1 _b = Negative Offset					0 _b	
4 - 0	Column DC Offset	Offset = 2.6 * cdd _d (64 steps @ 2.6 mV/step)					00000 _b	

Table 23: Column DOVA DC Offset (20_h)

Exposure GainB (21_h)

The PGA Exposure (Global) Gain Register allows the user to set one of the global gains via a 6 bit register. This is applied universally to all the pixel outputs. This enables the user to account for varying light conditions. The gain range depends on the Exposure Gain Mode setting (Register 22_h, Table 25 on page 53). In Raw or Lin1 mode both Exposure Gain A(10_h) and Exposure Gain B(21_h)

are programmed as successive gains stages. If Lin2 Mode is selected then Register 10_h is used to program both Exposure gain stages as if they were one linear gain stage. Further discussion of the Gain stages can be found in “Programmable Gain Amplifier” on page 17, and “Global Digital Offset Adjust” on page 20. The gain equations of each gain mode are:

Raw Gain Mode (WB and Exposure)

$$\begin{aligned} \text{Gain} &\approx 0.6950 + 0.02175 * \text{Reg}_d & 0 \leq \text{Reg}_d \leq 31 & (0.0695x \rightarrow 1.36925x) \\ &\approx 1.3475 + 0.04350 * (\text{Reg}_d - 31) & 32 \leq \text{Reg}_d \leq 63 & (1.3910x \rightarrow 2.7395x) \end{aligned}$$

Lin1 Gain Mode (WB and Exposure)

$$\text{Gain} \approx 0.6950 + 0.04350 * \text{Reg}_d \quad 0 \leq \text{Reg}_d \leq 47 \quad (0.695x \rightarrow 2.7395x)$$

Lin2 Gain Mode

This register is not used in this mode. See Exposure Gain A, Table 21 on page 45 for programming this mode.

Address		Exposure Gain B						Default
21 _h								0E _h
7 (msb)	6	5	4	3	2	1	0 (lsb)	
x	x	gg2[5]	gg2[4]	gg2[3]	gg2[2]	gg2[1]	gg2[0]	
Bit Number	Function	Description					Reset State	
7 - 6	Unused	Unused					xx _b	
5 - 0	Gain	Gain equation depends on Gain Mode: Raw, Lin1, or Lin2 (Default is unity gain for Raw mode)					001110 _b	

Table 24: Exposure Gain B (21_h)

PGA Gain Mode (22_h)

There exist three different gain modes that are available when the sensor is performing White Balance and Exposure gain. Plots of the three

gain modes are illustrated in [Figure 12](#) on [page 18](#). The three gain modes are:

Raw Gain Mode (WB and Exposure)

$$\begin{aligned} \text{Gain} &\approx 0.6950 + 0.02175 * \text{Reg}_d & 0 \leq \text{Reg}_d \leq 31 & (0.0695x \rightarrow 1.36925x) \\ &\approx 1.3475 + 0.04350 * (\text{Reg}_d - 31) & 32 \leq \text{Reg}_d \leq 63 & (1.3910x \rightarrow 2.7395x) \end{aligned}$$

Lin1 Gain Mode (WB and Exposure)

$$\text{Gain} \approx 0.6950 + 0.04350 * \text{Reg}_d \quad 0 \leq \text{Reg}_d \leq 47 \quad (0.695x \rightarrow 2.7395x)$$

Lin2 Gain Mode (Exposure gain stage only)

$$\text{Gain} \approx 0.483 + 0.11119 * (\text{Reg } 10_h)_d \quad 0 \leq \text{Reg}_d \leq 63 \quad (0.483x \rightarrow 7.488x)$$

NOTE: the gain step size of Lin2 Mode is almost, but not completely uniform. Any one step may deviate from the mean step size of 0.11119 by a small amount. This is due to the fact that Lin2 Mode actually varies two gain stages with fixed step sizes to make one equivalent gain step.

The **wbm** bit sets the gain mode for the WB gain (Register 0_h-3_h, [pages 44](#) and [45](#)).

The **egm** bits set the gain mode for the Exposure Gains Registers (10_h [page 49](#) and 21_h [page 52](#).)

Address 22 _h		PGA Gain Mode					Default 00 _h	
7 (msb)	6	5	4	3	2	1	0 (lsb)	
x	x	x	x	x	wbm	egm[1]	egm[0]	
Bit Number	Function	Description					Reset State	
7 - 3	Unused	Unused					xxxx _b	
2	WB Gain Mode	0 _b = Raw Gain Mode 1 _b = Lin1 Gain Mode					0 _b	
1 - 0	Exposure Gain Mode	00 _b = Raw Gain Mode 01 _b = Lin1 Gain Mode 1x _b = Lin2 Gain Mode					00 _b	

Table 25: PGA Gain Mode (22_h)

ADC DOVA (23_h)

The Global DOVA Register performs a final offset adjustment in analog space just prior to the ADC. The 6-bit register uses its MSB to indicate positive or negative offset. Each register value changes the offset by 4 LSB code levels hence giving an

offset range of ±124 dn. As an example, to program an offset of +92 dn, the value of 010111_b (23_d, 17_h) should be loaded. This offset is used to place the dark level within the ADC range.

Address		ADC DOVA						Default
23 _h								00 _h
7 (msb)	6	5	4	3	2	1	0 (lsb)	
x	x	gd[5]	gd[4]	gd[3]	gd[2]	gd[1]	gd[0]	
Bit Number	Function	Description					Reset State	
7 - 6	Unused	Unused					xx _b	
5	Sign	0 _b = Positive Offset 1 _b = Negative Offset					0 _b	
4 - 0	Column DC Offset	Offset (mV) = 12 * gd _d (64 steps @ 12 mV/step)					00000 _b	

Table 26: ADC DOVA Register (23_h)

Capture Mode Control (40_h)

The Capture Mode Control Register defines how the data is captured and how the data is to be provided at the output. Setting the **cms** bit will stop the current CFRS output data stream at the end of the current frame and place the imager in Single Frame Capture Mode (SFRS). While the **cms** bit is set (SFRS), the output of frames can be paused with the TRIGGER input pin. When the TRIGGER pin is low (V_{SS}) the output of frames is suspended. When the TRIGGER pin is high (V_{DD}) frames are continuous. The default for **cms** is 0 (CFRS). In CFRS the frames are continuously output and the TRIGGER pin is ignored. The Frame Rate is slightly reduced when the **cms** is set (SFRS) because care is taken in the startup such that the first frame output is valid. This causes a slight delay at the start of each frame. See Figure 22 on page 32 for a timing diagram for SFRS mode. With the **cms** low(=0), the Frame Rate is faster, but the first frame will be invalid (wrong integration time).

When the **hm** bit is set, the HCLK sync is high whenever valid WOI pixel data is being clocked out and low during the other blanking intervals. The HCLK does NOT toggle at the MCLK rate when the **hm** bit is set. When **hm** is set the HCLK will go high once at the beginning of the valid pixel data and remain high until the last WOI pixel has been clocked out. When the **hm** bit is set the **he** bit is ignored. The **sp** bit is used to define whether SOF is active high or low. SOF is active high by default. The **ve** bit is used to determine whether VCLK is output at the beginning of the virtual frame rows or only for the WOI rows. The **ve** bit defaults to VCLK on WOI rows only. The **vp** bit is used to define whether VCLK is active high(the default) or active low. The **he** bit is used to determine whether HCLK is output continuously (needed for some frame grabbers) or only for pixels within the WOI (default). The **hp** bit is used to define whether HCLK is active high (default) or low.

Address		Capture Mode Control						Default
40 _h								2A _h
7 (msb)		6	5	4	3	2	1	0 (lsb)
FUO		cms	sp	ve	vp	he	hp	hm
Bit Number	Function	Description						Reset State
7	FUO	Factory Use Only						0 _b
6	RSCM Mode	0 _b = Continuous Frame Rolling Shutter (CFRS) 1 _b = Single Frame Rolling Shutter (SFRS)						0 _b
5	SOF Phase	0 _b = SOF sync active low 1 _b = SOF sync active high						1 _b
4	VCLK Enable	0 _b = VCLK Sync on WOI rows only 1 _b = VCLK Sync on WOI and Virtual Rows						0 _b
3	VCLK Phase	0 _b = Active low 1 _b = Active high						1 _b
2	HCLK Enable	0 _b = Pixel sync on WOI pixels only 1 _b = Continuous pixel sync						0 _b
1	HCLK Phase	0 _b = Active low 1 _b = Active high						1 _b
0	HCLK Mode	0 _b = Toggles - Toggles at MCLK rates defined by (he) bit 1 _b = Continuous - Pixel Valid Envelope						0 _b

Table 27: Capture Mode Register (40_h)

Sub-sample Control (41_h)

The sub-sample Control Register is used to define what pixels of the WOI are read and the method they are output. See “Sub-Sampling Control (Resolution)” on page 12 for details on the readout modes. Sub-sampled frames readout faster than the full frame image. Any pixel not selected in the sub-sample mode is ignored, thereby not slowing the Frame Rate.

Bit **cm** can be cleared for monochrome imagers. This allows the imager to skip single columns and rows improving uniformity of sub-sampled MTF. In color mode sub-sampling is done in column and row pairs to conserve color integrity. The degree of sub-sample is defined by **rf** [1:0] for the rows, while the column sub-sample is independently defined by **cf** [1:0]. Row binning (even/odd row summing) is activated with the **bn** bit.

Address		Capture Mode Control					Default	
41 _h							10 _h	
7 (msb)		6	5	4	3	2	1	0 (lsb)
x		FUO	bn	cm	rf[1]	rf[0]	cf[1]	cf[0]
Bit Number	Function	Description						Reset State
7	Unused	Unused						X _b
6	FUO	Factory Use Only						0 _b
5	Binning	0 _b = Full WOI readout 1 _b = Even/Odd Row Summing						0 _b
4	Color Mode	0 _b = Monochrome Pattern Sampling (kernel=1) 1 _b = Bayer Pattern Sampling (kernel=2)						1 _b
3 - 2	Row Sub-Sampling Mode	00 _b = Full WOI readout 01 _b = Read one kernel, skip one (1/2 sampled) 10 _b = Read one kernel, skip three (1/4 sampled) 11 _b = Read one kernel, skip seven (1/8 sampled)						00 _b
1 - 0	Column Sub-Sampling Mode	00 _b = Full WOI readout 01 _b = Read one kernel, skip one (1/2 sampled) 10 _b = Read one kernel, skip three (1/4 sampled) 11 _b = Read one kernel, skip seven (1/8 sampled)						00 _b

Table 28: Sub-Sample Control Register (41_h)

TRIGGER and STROBE Control Register (42_h)

The **saw** bit allows the user to select how long the STROBE signal is going to be on. If the bit is set to 1, the STROBE output will go high when all lines are concurrently integrating and will go low when the integration time has completed and readout has begun. It is during this period while STROBE is high that a mechanical shutter must open and close and/or flash must fire and quench if these devices are being used with the imager. If the shutter or flash operate at any other time image artifacts can result. Note the integration time must be greater than a frame readout time for this output to be useful. The **sae** bit when enabled will enable the STROBE signal to be generated

automatically by the sensor. This will only work in Single Frame Rolling Shutter (SFRS) mode.

The **se** bit, when enabled, will allow for an external signal to drive the trigger signal via the TRIGGER pin on the chip. Enabling the **sa** bit forces the trigger signal high until this bit is disabled. This causes continuous frame processing in SFRS mode. The **sr** bit, when enabled, causes the TRIGGER signal to go high for exactly one clock cycle, and then returns to a low. It remains low until the **sr** bit is enabled again. This is used to trigger a single frame capture via I²C rather than the TRIGGER pin.

Address		TRIGGER and STROBE Control					Default
42 _h							02 _h
7 (msb)	6	5	4	3	2	1	0 (lsb)
x	x	ss0	saw	sae	se	sa	sr
Bit Number	Function	Description					Reset State
7 - 6	Unused	Unused					xx _b
5		<i>Factory Use Only</i>					0 _b
4	Strobe Width	0 _b = 1 line time 1 _b = Pulse width is high while all rows are simultaneously integrating					0 _b
3	STROBE Enable	0 _b = STROBE pin Disabled 1 _b = STROBE pin Enabled					0 _b
2	TRIGGER Enable	0 _b = External TRIGGER input pin Disabled (ignored) 1 _b = External TRIGGER input pin Enabled					0 _b
1	TRIGGER Always On	0 _b = No effect 1 _b = TRIGGER input is internally held HIGH, TRIGGER input pin is ignored					1 _b
0	Software TRIGGER	0 _b = No effect 1 _b = Triggers a single frame capture via I ² C					0 _b

Table 29: TRIGGER and STROBE Control Register (42_h)

Programmable Window of Interest (WOI) (45_h-4C_h)

The WOI is defined by a set of registers that indicate the upper-left starting point for the window and another set of registers that define the size of the window. Refer to Figure 7 on page 12 for a pictorial representation of the WOI within the active pixel array. The WOI Row Pointer, **wrp**[8:0], and the WOI Column Pointer, **wcp**[9:0], mark the upper-left starting point for the WOI. The

WOI Row Depth, **wrd**[9:0] and the WOI Column Depth, **wcw**[10:0] indicate the size of the WOI. The user must be careful to create a WOI that is completely confined within the Virtual Frame. There is no logic in the sensor interface to prevent the user from defining a WOI that addresses nonexistent pixels.

Address		WOI Row Pointer MSB					Default
45 _h							00 _h
7 (msb)	6	5	4	3	2	1	0 (lsb)
x	x	x	x	x	wrp[10]	wrp[9]	wrp[8]
Bit Number	Function	Description					Reset State
7 - 3	Unused	Unused					xxxxx _b
2 - 0	WOI Row Pointer	In conjunction with the WOI Row Pointer LSB Register, forms the 11-bit WOI Row Pointer wrp[10:0]					000 _b

Table 30: WOI Row Pointer MSB Register (45_h)

Address		WOI Row Pointer LSB					Default
46 _h							10 _h
7 (msb)	6	5	4	3	2	1	0 (lsb)
wrp[7]	wrp[6]	wrp[5]	wrp[4]	wrp[3]	wrp[2]	wrp[1]	wrp[0]
Bit Number	Function	Description					Reset State
7 - 0	WOI Row Pointer	In conjunction with the WOI Row Pointer MSB Register, forms the 11 bit WOI Row Pointer wrp[10:0]					00010000 _b (16 _d)

Table 31: WOI Row Pointer LSB Register (46_h)

Address		WOI Column Pointer MSB						Default
49 _h								00 _h
7 (msb)	6	5	4	3	2	1	0 (lsb)	
x	x	x	x	x	wcp[10]	wcp[9]	wcp[8]	
Bit Number	Function	Description					Reset State	
7 - 3	Unused	Unused					xxxxx _b	
2 - 0	WOI Column Pointer	In conjunction with the WOI Column Pointer LSB Register, forms the 11-bit WOI Column Pointer wcp[10:0]					000 _b	

Table 32: WOI Column Pointer MSB Register (49_h)

Address		WOI Column Pointer LSB						Default
4A _h								08 _h
7 (msb)	6	5	4	3	2	1	0 (lsb)	
wcp[7]	wcp[6]	wcp[5]	wcp[4]	wcp[3]	wcp[2]	wcp[1]	wcp[0]	
Bit Number	Function	Description					Reset State	
7 - 0	WOI Column Pointer	In conjunction with the WOI Column Pointer MSB Register, forms the 11-bit WOI Column Pointer wcp[10:0]					00001000 _b (8 _d)	

Table 33: WOI Column Pointer LSB Register (4A_h)

Address		WOI Row Depth MSB						Default
47 _h								03 _h
7 (msb)	6	5	4	3	2	1	0 (lsb)	
x	x	x	x	x	wrd[10]	wrd[9]	wrd[8]	
Bit Number	Function	Description					Reset State	
7 - 3	Unused	Unused					xxxxx _b	
2 - 0	WOI Row Depth	In conjunction with the WOI Row Depth LSB Register, forms the 11-bit WOI Row Depth wrd[10:0]					011 _b	

Table 34: WOI Row Depth MSB Register (47_h)

Address		WOI Row Depth LSB					Default	
48 _h							FF _h	
7 (msb)		6	5	4	3	2	1	0 (lsb)
wrđ[7]		wrđ[6]	wrđ[5]	wrđ[4]	wrđ[3]	wrđ[2]	wrđ[1]	wrđ[0]
Bit Number	Function	Description					Reset State	
7 - 0	WOI Row Depth	In conjunction with the WOI Row Depth MSB Register, forms the 11-bit WOI Row Depth wrđ[10:0] Desired = wrđ _d +1					11111111 _b 1024 Rows	

Table 35: WOI Row Depth LSB Register (48_h)

Address		WOI Column Width MSB					Default	
4B _h							04 _h	
7 (msb)		6	5	4	3	2	1	0 (lsb)
x		x	x	x	x	wcŵ[10]	wcŵ[9]	wcŵ[8]
Bit Number	Function	Description					Reset State	
7 - 3	Unused	Unused					xxxxxx _b	
2 - 0	WOI Column Width	In conjunction with the WOI Column Width LSB Register, forms the 11-bit WOI Column Width wcŵ[10:0]					100 _b	

Table 36: WOI Column Width MSB Register (4B_h)

Address		WOI Column Width LSB					Default	
4C _h							FF _h	
7 (msb)		6	5	4	3	2	1	0 (lsb)
wcŵ[7]		wcŵ[6]	wcŵ[5]	wcŵ[4]	wcŵ[3]	wcŵ[2]	wcŵ[1]	wcŵ[0]
Bit Number	Function	Description					Reset State	
7 - 0	WOI Column Width	In conjunction with the WOI Column Width MSB Register, forms the 11-bit WOI Column Width wcŵ[10:0] Desired = wcŵ _d + 1					11111111 _b 1280 Columns	

Table 37: WOI Column Width LSB Register (4C_h)

Integration Time Control (4E_h → 4F_h)

The integration Time registers control the integration time for the pixel array. Integration time is measured in Virtual Row times. Refer to [Figure 8](#) on [page 13](#) for a pictorial description of the Virtual Frame and its relationship to the WOI Frame. A Virtual Frame is the mechanism by

which the user controls the integration time and frame time for the output data stream. By adding additional rows or columns as ‘blanking’ to the WOI to form the Virtual Frame, the user can control the amount of blanking in both horizontal and vertical space.

NOTE: The **upd** bit of Reg 4E_h is used to indicate a change to **cint**[13:0]. Since multiple I²C writes may be needed to complete desired frame to frame integration time changes, the **upd** bit signals that all desired programming has been completed, and to apply these changes to the next frame captured. This prevents undesirable changes in integration time that may result from I²C writes that span the “End of Frame” boundary. This **upd** bit has to be toggled from its previous state in order for the new value of **cint**[13:0] to be accepted/updated by the sensor and take effect. i.e. If its previous state is “0”, when writing a new **cint** value, first write **cint**[7:0] to register 4F_h, then write both **cint** [13:8] and “1” to the **upd** bit to register 4E_h.

$$\text{Integration Time} = (\text{cint}_d + 1) * (\text{vcw}_d + \text{shA}_d + \text{shB}_d + 19) * \text{MCLK}_{\text{period}}$$

where vcw_d is defined in registers 52_h and 53_h, [Table 35](#) and [Table 36](#) on [page 60](#).

(NOTE ABOVE LEFT IN SINGLE COLUMN FORMAT FOR CONSISTENCY WITH OTHER “NOTES”)

Address 4E _h		Integration Time MSB						Default 04 _h
7 (msb)	6	5	4	3	2	1	0 (lsb)	
x	upd	cint[13]	cint[12]	cint[11]	cint[10]	cint[9]	cint[8]	
Bit Number	Function	Description						Reset State
7	Unused	Unused						X _b
6	Update	This bit must be toggled from its previous state to apply cint to the integration time counter.						0 _b
5 - 0	Integration Time	In conjunction with the Integration Time LSB Register, forms the 14-bit Integration Time cint [13:0].						000100 _b

Table 38: Integration Time MSB Register (4E_h)

Address 4F _h		Integration Time LSB						Default FF _h
7 (msb)	6	5	4	3	2	1	0 (lsb)	
cint[7]	cint[6]	cint[5]	cint[4]	cint[3]	cint[2]	cint[1]	cint[0]	
Bit Number	Function	Description						Reset State
7 - 0	Integration Time	In conjunction with the Integration Time MSB Register, forms the 14-bit Integration Time cint [13:0]. Integration Time = (cintd + 1) * Trow						11111111 _b 1280 Rows

Table 39: Integration Time LSB Register (4F_h)

Programmable Virtual Frame (50_h → 53_h)

A Virtual Frame is the mechanism by which the user controls the integration time and frame time for the output data stream. By adding additional rows or columns as ‘blanking’ to the WOI to form the Virtual Frame, the user can control the amount of blanking in both horizontal and vertical space. Both the Virtual Frame Row Depth, **vr_d**[13:0], and the Virtual Frame Column Width, **vcw**[13:0], have a range of 0_d to 16384_d. The Virtual Frame defines the maximum integration time. If the integration register is programmed with more rows

than are in the Virtual Frame then the integration time will be clipped to the number of rows in the virtual frame.

The user should be careful to create a Virtual Frame that is larger than the WOI. There is no logic in the sensor interface to prevent the user from defining a Virtual Frame smaller than the WOI. Therefore, pixel data may be lost. The Virtual Frame must be at least 1 row and 118 columns larger than the WOI.

Address 52 _h		Virtual Frame Column Width MSB						Default 05 _h
7 (msb)		6	5	4	3	2	1	0 (lsb)
x		x	vcw[13]	vcw[12]	vcw[11]	vcw[10]	vcw[9]	vcw[8]
Bit Number	Function	Description						Reset State
7 - 6	Unused	Unused						xx _b
5 - 0	Virtual Column Width	In conjunction with the Virtual Frame Column Width LSB Register, forms the 14-bit Virtual Frame Column Width vcw[13:0].						000101 _b

Table 40: Virtual Frame Row Depth MSB (50_h)

Address 53 _h		Virtual Frame Column Width LSB						Default 13 _h
7 (msb)		6	5	4	3	2	1	0 (lsb)
vcw[7]		vcw[6]	vcw[5]	vcw[4]	vcw[3]	vcw[2]	vcw[1]	vcw[0]
Bit Number	Function	Description						Reset State
7 - 0	Virtual Column Width	In conjunction with the Virtual Frame Column Width MSB Register, forms the 14-bit Virtual Frame Column Width vcw[13:0]. WOI is always top-left justified in Virtual Frame. vcw _d minimim = wcd + 11						00010011 _b 1300 Columns

Table 41: Virtual Frame Row Depth LSB (51_h)

Address 52 _h		Virtual Frame Column Width MSB						Default 05 _h
7 (msb)	6	5	4	3	2	1	0 (lsb)	
x	x	vcw[13]	vcw[12]	vcw[11]	vcw[10]	vcw[9]	vcw[8]	
Bit Number	Function	Description						Reset State
7 - 6	Unused	Unused						xx _b
5 - 0	Virtual Column Width	In conjunction with the Virtual Frame Column Width LSB Register, forms the 14-bit Virtual Frame Column Width vcw[13:0].						000101 _b

Table 42: Virtual Frame Column Width MSB (52_h)

Address 53 _h		Virtual Frame Column Width LSB						Default 13 _h
7 (msb)	6	5	4	3	2	1	0 (lsb)	
vcw[7]	vcw[6]	vcw[5]	vcw[4]	vcw[3]	vcw[2]	vcw[1]	vcw[0]	
Bit Number	Function	Description						Reset State
7 - 0	Virtual Column Width	In conjunction with the Virtual Frame Column Width MSB Register, forms the 14-bit Virtual Frame Column Width vcw[13:0]. WOI is always top-left justified in Virtual Frame. vcw _d minimim = wcd + 11						00010011 _b 1300 Columns

Table 43: Virtual Frame Column Width LSB (53_h)

SOF and VCLK Delay Registers (54_h and 55_h)

This adjust can be used to vary the sync positions (rising and falling edges) relative to valid pixel data. In this way an acquisition system that uses the sync pulses for display can be shifted to add or avoid image borders. Adjusting the position or length of the SOF or VCLK sync does NOT alter the Frame Rate, the sync signal is simply shifted and overlaps the valid line and pixel data. Moving

the rising edge of the SOF will also move the rising edge of the VCLK. This is so that the VCLK sync does not occur before the SOF pulse. The delay adjust is in 1/2 cycles, it takes two programmed counts to delay the rising edge by one image pixel. These delays are measured from the change of the row address, which is not directly observable except to set the delay to 0.

Address		SOF Delay						Default
54 _h								4C _h
7 (msb)	6	5	4	3	2	1	0 (lsb)	
sofd[7]	sofd[6]	sofd[5]	sofd[4]	sofd[3]	sofd[2]	sofd[1]	sofd[0]	
Bit Number	Function	Description					Reset State	
7 - 0	SOF Delay	Delay = sofd _d * 0.5 MCLK's					01001100 _b	

Table 44: SOF Delay Register (54_h)

Address		VCLK Delay						Default
55 _h								02 _h
7 (msb)	6	5	4	3	2	1	0 (lsb)	
vckd[7]	vckd[6]	vckd[5]	vckd[4]	vckd[3]	vckd[2]	vckd[1]	vckd[0]	
Bit Number	Function	Description					Reset State	
7 - 0	VCLK Delay	Delay = vckd _d * 0.5 MCLK's					00000010 _b	

Table 45: VCLK Delay Register (55_h)

SOF & VCLK Width Register (56_h)

The SOF & VCLK register moves the falling edge of the sync pulses. The widths can be adjusted for maximum compatibility with the frame capture

device. The **sofw** bit adjusts the width of the SOF sync and **vckw** adjusts the width of the VCLK pulse.

Address		SOF & VCLK Width						Default
56 _h								0E _h
7 (msb)	6	5	4	3	2	1	0 (lsb)	
x	x	x	x	sofw[1]	sofw[0]	vckw[1]	Vckw(0)	
Bit Number	Function	Description						Reset State
7 - 4	Unused	Unused						xxxxb
3 - 2	SOF Control	00 _b = 1 MCLK Wide 01 _b = 8 MCLKs Wide 10 _b = 64 MCLKs Wide 11 _b = Full Row Wide						11b
1 - 0	VCLK Control	00 _b = 1 MCLK Wide 01 _b = 8 MCLKs Wide 10 _b = 64 MCLKs Wide 11 _b = Full Row Wide						10b

Table 46: SOF & VCLK Width Register (56_h)

Readout Direction Register (57_h)

This register allows the user to change the direction of readout of the columns or rows. This can be used to compensate for and orientation of the imager in the optical system. The **rrc** when enabled causes the column data to be readout in the reverse direction as compared to the normal

readout direction. The **rrr** when enabled causes the row data to be readout in the reverse direction as compared to the normal readout direction. The normal readout direction of the imager is shown in [Figure 2 on page 7](#).

Address		Readout Direction					Default	
57 _h							04 _h	
7 (msb)	6	5	4	3	2	1	0 (lsb)	
x	x	x	x	FUO	FUO	rrr	rrc	
Bit Number	Function	Description					Reset State	
7 - 4	Unused	Unused					xxxx _b	
3 - 2	FUO	Factory Use Only					01 _b	
1	Reverse	0 _b = Normal Readout (Bottom to Top)					0 _b	
	Readout Row	1 _b = Rows Readout in reverse order (Top to Bottom)						
0	Reverse	0 _b = Normal Readout (Left to Right)					0 _b	
	Readout Col	1 _b = Cols readout in reverse order (Right to Left)						

Table 47: Readout Direction Register (57_h)

Internal Timing Control Registers (5F_h and 60_h)

These registers are used to define the size of internal timing pulse widths shA (sample & hold sample) and shB (sample & hold reset). In default, both are 10 MCLKs wide. A maximum of 64

MCLKs can be programmed for the shA delay and another 64 MCLKs for the shB delay. Writing 00h to either register will provide the maximum timing delay of 64 MCLKs.

Address		Internal Timing Control						Default
5F _h								0A _h
7 (msb)	6	5	4	3	2	1	0 (lsb)	
x	x	shA[5]	shA[4]	shA[3]	shA[2]	shA[1]	shA[0]	
Bit Number	Function	Description						Reset State
7 - 6	Unused	Unused						xxxx _b
5 - 0	shA	shA[5:0]=000000b=64 MCLKs Wide shs[5:0]=000001b=1d MCLKs Wide						001010b
		shA[5:0]=000001b=1d MCLKs Wide						
		shA[5:0]=000010b=2d MCLKs Wide						
		shA[5:0]=000011b=3d MCLKs Wide						
		shA[5:0]=111111b=63d MCLKs Wide						

Table 48: Internal Timing Control Register (5F_h)

Address		Internal Timing Control						Default
60 _h								0A _h
7 (msb)	6	5	4	3	2	1	0 (lsb)	
x	x	shB[5]	shB[4]	shB[3]	shB[2]	shB[1]	shB[0]	
Bit Number	Function	Description						Reset State
7 - 6	Unused	Unused						xxxx _b
5 - 0	shB	shB[5:0]=000000b=64 MCLKs Wide shs[5:0]=000001b=1d MCLKs Wide						001010b
		shB[5:0]=000001b=1d MCLKs Wide						
		shB[5:0]=000010b=2d MCLKs Wide						
		shB[5:0]=000011b=3d MCLKs Wide						

Table 49: Internal Timing Control Register (60_h)

Clamp Control and HCLK Delay Register (64_h)

This register is used to delay the position of the first HCLK, which corresponds to the first valid pixel in each row. The delay is only useful when the HCLK is not continuous. This delay can be used to compensate for any latency in the user's

capture device. In addition, this register also allows one to disable the Frame Clamp if desired for specific applications (see "Frame Rate Clamp (FRC)" on page 16).

Address		Clamp Control and HCLK Delay					Default	
64 _h							5C _h	
7 (msb)		6	5	4	3	2	1	0 (lsb)
x		fce[6]	FUO	FUO	FUO	hckd[2]	hckd[1]	hckd[0]
Bit Number	Function	Description						Reset State
7	Unused	Unused						X _b
6	Frame Clamp Enable	0 _b = Clamp Disabled 1 _b = Clamp Enabled						1 _b
5 - 3	FUO	FUO						011 _b
2 - 0	HCLK Delay	Syncs rising edge of HCLK to valid data from ADC Delay = ((hckd[d]-4) x 0.5) - 16 MCLKs						100 _b

Table 50: Clamp Control and HCLK Delay Register (64_h)

Encoded Sync Register (65_h)

It is possible to capture the image data without the SOF, VCLK, or HCLK syncs. Once the encoded Syncs are enabled, 4 10bit words are placed into the data stream adding 4 pixel times per row. The inserted codes tells the user when the row starts and what type of row it is. Figure 24 on page 34 illustrates the encoded syncs in a data stream.

The **vcb** bit allows the user to force all the Blanking data coming out of the ADC to be 0. The **vcg** bit allows the user to enable/disable encoded sync data in the output stream (see Table 2 on page 12). The **vcc** bit allows the user to clip the output active pixel data to lie between 1 and 1022 to avoid confusion with the encoded sync data in the output stream.

Address		Encoded Sync Control						Default
65 _h		6	5	4	3	2	1	00 _h
7 (msb)								0 (lsb)
x		vcb	vsg	vcc	FUO	FUO	FUO	FUO
Bit Number	Function	Description						Reset State
7	Unused	Unused						x _b
6	Blanking	0 _b = Dark Pixels Used for Blanking 1 _b = H-Blanking and V-Blanking are forced to Dout=0						0 _b
5	Encoded Sync Enable	0 _b = Normal Readout 1 _b = Enable Encoded Syncs in Data Stream						0 _b
4	Data Clipping	0 _b = Normal Readout 1 _b = Pixel Data of 0 and 1023 will be clipped to 1 and 1022						0 _b
3 - 0	FUO	Factory Use Only						0000 _b

Table 51: Encoded Sync Register (65_h)

Mod64 Column Offset Correction Register (80_h-BF_h)

The Mod64 Column Offset registers are used to reduce/eliminate collimated fixed pattern noise (FPN). There are 64 registers that can be programmed with individual offset values. They will be applied to all the columns on a single image frame on a Modular 64 basis. i.e. Register 80_h Column offset will be applied to Column 0 , 64, 128..., Register 81_h Column offset will be applied

to Column 1, 65, 129..., Register BF_h Column offset will be applied to Column 63, 127, 191...etc.

The Column DOVA stage has only six bits of programmability. Registers 20_h is added to the value in 80_h→BF_h for that column. The final sum is truncated to ±32_d.

Address		Mod64 Column Offset Correction					Default
80-BF _h							00 _h
7 (msb)	6	5	4	3	2	1	0 (lsb)
x	x	mdd[5]	mdd[4]	mdd[3]	mdd[2]	mdd[1]	mdd[0]
Bit Number	Function	Description					Reset State
7 - 6	Unused	Unused					xxb
5	Sign	0b = Positive Offset 1b = Negative Offset					0b
4 - 0	Column Offset	Offset = 2.6 * mddd (64 step @ 2.6mV/step)					00000b

Table 52: Mod64 Column Offset Correction Register (80_h-BF_h)

STORAGE AND HANDLING

Storage Conditions

Description	Minimum	Maximum	Units	Conditions	Notes
Temperature	-55	+70	°C	@10%/+5%RH	1,2
Humidity	----	95+/-5	%RH	@49+/-2°C Temp.	1,2

Notes:

1. The tolerance on all relative humidity values is provided due to limitations in measurement instrument accuracy.
2. The image sensor shall meet the specifications of this document after storage for 15 days at the specified conditions.

Caution: This device contains limited protection against Electrostatic Discharge (ESD) Devices should be handled in accordance with strict ESD protection procedures for Class 2 devices (JESD22 Human Body Model) or Class B (Machine Model). Refer to Application Note MTD/PS-0224, “Electrostatic Discharge Control”

Caution: Improper cleaning of the cover glass may damage these devices. Refer to Application Note MTD/PS-0237, “Cover Glass Cleaning for Image Sensors”

REFLOW SOLDERING RECOMMENDATIONS

When using a reflow soldering system, the thermal profile shown in **Figure 28** below is the maximum thermal stress conditions recommended. If the temperature and/or time of the soldering process exceeds that of the recommended profile, there is a possibility of damaging the sensor due to thermal stress.

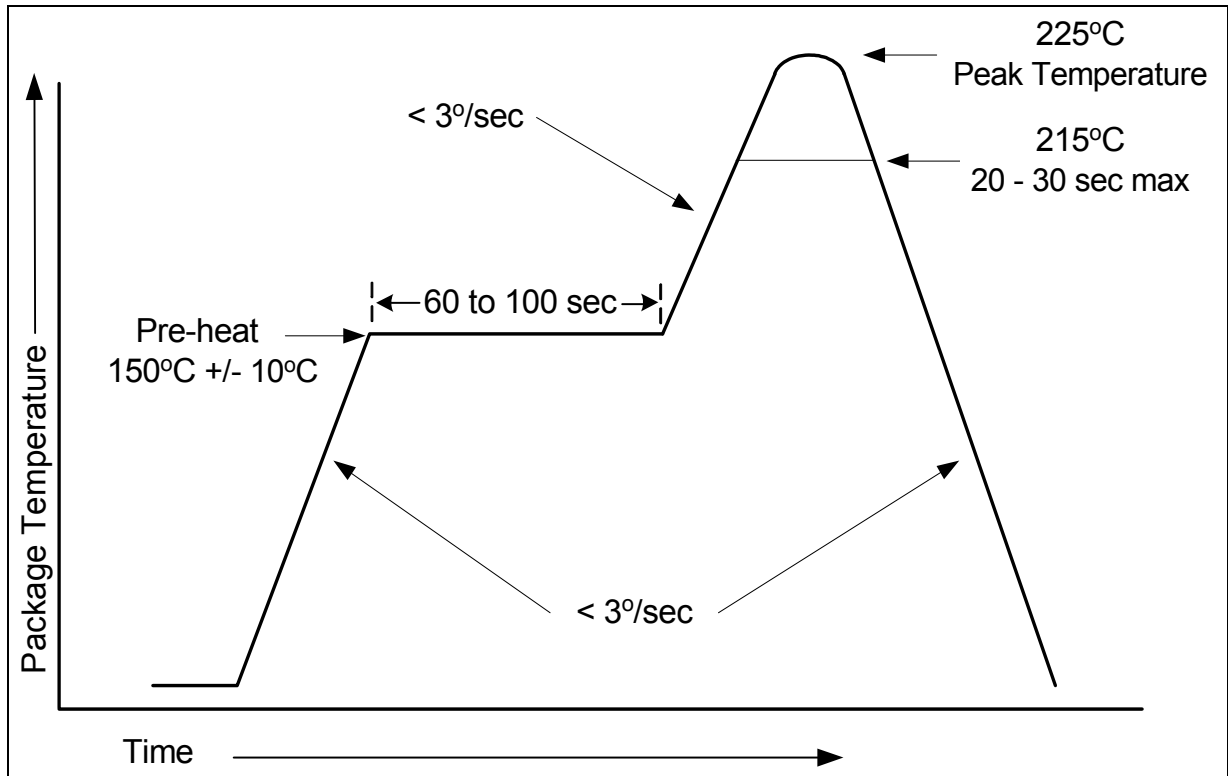
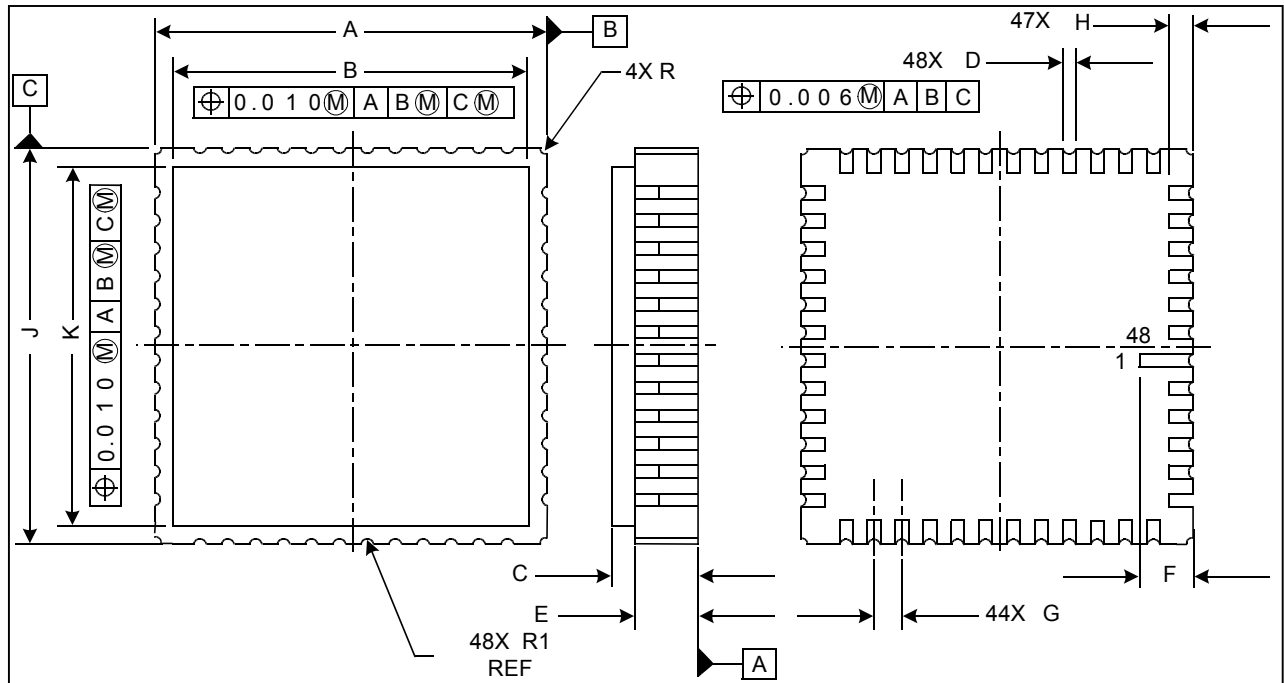


Figure 28: Recommended Reflow Soldering System Thermal Profile

MECHANICAL DRAWINGS



Dimension	Minimum (inches)	Nominal (inches)	Maximum (inches)
A	0.555	0.56	0.572
B	0.525	0.54	0.545
C	---	---	0.094
D	0.016	0.02	0.024
E	0.055	0.061	0.067
F	0.075	0.085	0.095
G		0.04 BSC	
H	0.033	0.04	0.047
J	0.555	0.56	0.572
K	0.525	0.54	0.545
R		0.008 REF	
R1		0.028 REF	

Figure 29: 48-Pin Terminal Ceramic Leadless Chip Carrier (Bottom View)

48 Ceramic LCC - Matrix Format

Dimension	Description	Metric (mm)			English (mils)		
		Min	Nominal	Max	Min.	Nominal	Max
A	Glass (Thickness)	0.5	0.55	0.6	19.69	21.65	23.62
B	Cavity (Depth)	0.9906	1.1176	1.2446	39.00	44.00	49.00
C	Die - Si (Thickness)	0.705	0.725	0.745	27.76	28.54	29.33
D	Bottom Layer (Thickness)	0.381	0.4318	0.4826	15.00	17.00	19.00
E	Die Attach - bondline (Thickness)	0.0127	0.0254	0.0508	0.50	1.00	2.00
F	Glass Attach - bondline (Thickness)	0.00635	0.0254	0.0508	0.25	1.00	2.00
G	Imager to Lid - outer surface (d)	0.70115	0.9426	1.1777	27.60	37.11	46.37
H	Imager to Lid - inner surface (d)	0.20115	0.3926	0.5777	7.92	15.46	22.74
J	Imager to seating plane - of pkg	1.0987	1.1822	1.2784	43.26	46.54	50.33
A+B+F+IPkg (Th - total)		1.87795	2.1248	2.378	73.93	83.65	93.62
B+D	Base (Th)	1.397	1.5494	1.7018	55.00	61.00	67.00

Reference Notes:

- 1 mil = 25.4µm
- 1 mm = 39.37 mil

Table 53: 48 Ceramic LCC – Matrix Format

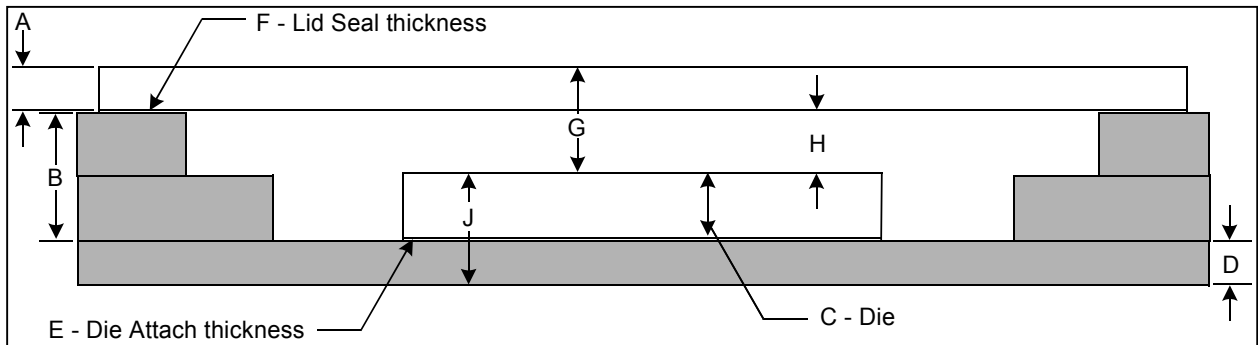


Figure 30: CLCC-IB package vertical Dimensioning

QUALITY ASSURANCE AND RELIABILITY

Quality Strategy: All image sensors will conform to the specifications stated in this document. This will be accomplished through a combination of statistical process control and inspection at key points of the production process. Typical specification limits are not guaranteed but provided as a design target. For further information refer to ISS Application Note MTD/PS-0292, Quality and Reliability.

Replacement: All devices are warranted against failure in accordance with the terms of Terms of Sale. This does not include failure due to mechanical and electrical causes defined as the liability of the customer below.

Liability of the Supplier: A reject is defined as an image sensor that does not meet all of the specifications in this document upon receipt by the customer.

Liability of the Customer: Damage from mechanical (scratches or breakage), electrostatic discharge (ESD) damage, or other electrical misuse of the device beyond the stated absolute maximum ratings, which occurred after receipt of the sensor by the customer, shall be the responsibility of the customer.

Cleanliness: Devices are shipped free of mobile contamination inside the package cavity.

Immovable particles and scratches that are within the imager pixel area and the corresponding cover glass region directly above the pixel sites are also not allowed. The cover glass is highly susceptible to particles and other contamination. Touching the cover glass must be avoided. See ISS Application Note MTD/PS-0237, Cover Glass Cleaning, for further information.

ESD Precautions: Devices are shipped in static-safe containers and should only be handled at static-safe workstations. See ISS Application Note MTD/PS-0224, Electrostatic Discharge Control for handling recommendations.

Reliability: Information concerning the quality assurance and reliability testing procedures and results are available from the Image Sensor Solutions and can be supplied upon request. For further information refer to ISS Application Note MTD/PS-0292, Quality and Reliability.

Test Data Retention: Image sensors shall have an identifying number traceable to a test data file. Test data shall be kept for a period of 2 years after date of delivery.

Mechanical: The device assembly drawing is provided as a reference. The device will conform to the published package tolerances.

ORDERING INFORMATION

Available Part Configurations

Type	Description	Glass Configuration
KAC-1310	RGB with microlens	Sealed
KAC-1310	CMY with microlens	Sealed

Please contact Image Sensor Solutions for available part numbers.

Address all inquiries and purchase orders to:

Image Sensor Solutions
 Eastman Kodak Company
 Rochester, New York 14650-2010
 Phone: (585) 722-4385
 Fax: (585) 477-4947
 E-mail: imagers@kodak.com

Kodak reserves the right to change any information contained herein without notice. All information furnished by Kodak is believed to be accurate.

WARNING: LIFE SUPPORT APPLICATIONS POLICY

Kodak image sensors are not authorized for and should not be used within Life Support Systems without the specific written consent of the Eastman Kodak Company. Product warranty is limited to replacement of defective components and does not cover injury or property or other consequential damages.

Revision Changes

No.	Date	Description of Revision
4	11/6/02	Updated to new format. Page 71: Revised ESD statements. Page 75: Updated Cover Glass Cleaning Application Note document reference number.