

## 32 kHz Motherboard Frequency Generator

### General Description

The **ICS9134-06** and **ICS9134-07** are designed to generate clocks for all 286, 386, 486, Pentium and RISC-based motherboards, including laptops and notebook computers. The only external components required are a 32.768 kHz crystal and decoupling capacitors. The device generates the 14.318 MHz system clock, eliminating the need for a 14.318 MHz crystal. High performance applications may require high speed clock termination components. The chip includes three independent clock generators plus the 32.768 kHz reference clock to produce all necessary frequencies, including real time clock/DRAM refresh, master clock, CPU clock, keyboard clock, floppy disk controller clock, serial communications clock and bus clocks. Different frequencies from clocks #2 can be selected using the frequency select pins, but clock #1 will be at 14.318 MHz for all standard versions.

### VDD32 Supply

The **ICS9134-06** and **ICS9134-07** have a separate power supply for the 32.768 kHz oscillator circuitry. This allows the 32 kHz clock to run from a battery or other source while the main power to the chip is disconnected. The VDD32 supply is guaranteed to operate down to +2.0V, with the clock consuming less than 10µA at +3.3V with the main VDD at 0V.

The frequencies and power-down options in the **ICS9134-06** and **ICS9134-07** are mask programmable. Customer specific masks can be made and prototypes delivered within 6-8 weeks from receipt of order. Integrated Circuit Systems also offers standard versions, such as that described in this data sheet.

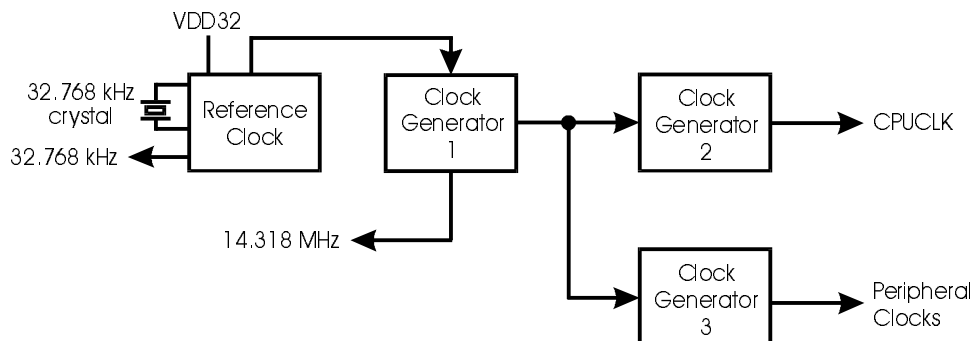
### Features

- $I_{DD} < 10 \mu A$  when 32 kHz is running on VDD32
- Single 32.768 kHz crystal generates all PC motherboard clocks
- 3 independent clock generators
- Generates CPU clocks from 4.0 to 80 MHz
- Up to 5 output clocks
- Separate VDD for 32 kHz clock
- Power-down options available
- Operates from 3.3V or 5.0V supply
- Operates up to 66 MHz at 3.3V
- Supports OPTi 80C463/5 and Fir™ chipsets
- 16-pin, 300-mil, SOIC package

### Applications

Notebook/Palmtop Computers: The **ICS9134-06** and **ICS9134-07** work with +3.3V and +5V and a single 32.768 kHz crystal, making it the ideal solution for generating clocks in portables with minimum board space. The user can save power by using this single part instead of oscillators or other frequency generators. The **ICS9134-06** and **ICS9134-07** further reduce the current consumption by having the ability to completely shut down the individual clocks when not in use, while still maintaining the separately powered 32.768 kHz clock.

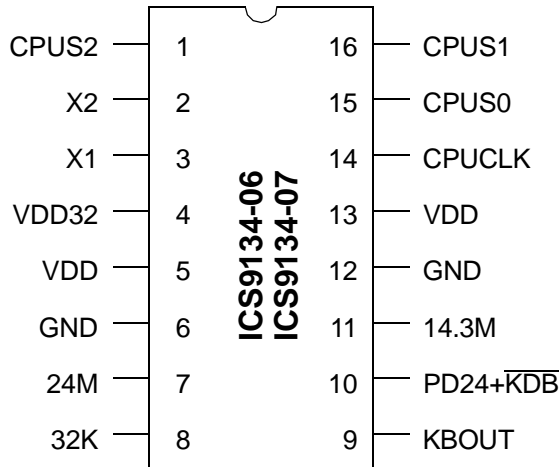
### Block Diagram



# ICS9134-06 ICS9134-07



## Pin Configuration



**16-Pin SOIC**

## Decoding Table for CPU Clock

CPUS2	CPUS1	CPUS0	CPUCLK (MHz)
0	0	0	Off+14M off
0	0	1	80.00
0	1	0	25.00
0	1	1	66.66
1	0	0	20.00
1	0	1	50.00
1	1	0	33.33
1	1	1	4.00

## ICS9134 Option

KEYBOARD CLOCK	-06	-07
KBOUT	16 MHz	12 MHz

## Pin Descriptions

PIN NUMBER	PIN NAME	TYPE	DESCRIPTION
1	CPUS2	I	Select 2 for 2XCPU and CPU frequencies. See Table above.
2	X2	O	Crystal connection. Connect to 32.768 kHz crystal. Includes internal XTAL load capacitance.
3	X1	I	Crystal connection. Connect to 32.768 kHz crystal. This pin includes internal XTAL load capacitance and feedback bias for a 32.768 kHz crystal.
4	VDD32	P	Separate power supply connection for 32.768 kHz clock. Will operate down to 2.0V, independent of the rest of the circuit VDD.
5	VDD	P	Connect to +3.3V or +5V.
6	GND	P	Connect to ground.
7	24M	O	24 MHz floppy (or super I/O) clock output.
8	32K	O	32.768 kHz square wave clock output.
9	KBOUT	O	Keyboard clock output, fixed 16 MHz (-06) or 12 MHz (-07).
10	PD24+KBD	I	Power-down 24M+keyboard. Shuts off both clock outputs, pins 7 & 9 when low.
11	14.3M	O	14.318 MHz system clock output.
12	GND	P	Connect to ground.
13	VDD	P	Connect to +3.3V or +5V.
14	CPUCLK	O	CPUCLK output. See Table above.
15	CPUS0	I	Select 0 for 2XCPU and CPU frequencies. See Table above.
16	CPUS1	I	Select 1 for 2XCPU and CPU frequencies. See Table above.



## Absolute Maximum Ratings

VDD referenced to GND	7V
Operating temperature under bias	0°C to 70°C
Storage temperature	-40°C to +150°C
Voltage on I/O pins referenced to GND	GND -0.5V to VDD +0.5V
Power dissipation	0.5 Watts

Stresses above those listed under Absolute Maximum Ratings may cause permanent damage to the device. This is a stress rating only and functional operation of the device at these or any other conditions above those indicated in the operational sections of the specifications is not implied. Exposure to absolute maximum rating conditions for extended periods may affect product reliability.

## Electrical Characteristics

V<sub>DD</sub> = +3.0 to 3.7V, T<sub>A</sub>=0°C to 70°C unless otherwise stated

DC Characteristics						
PARAMETER	SYMBOL	TEST CONDITIONS	MIN	TYP	MAX	UNITS
Input Low Voltage	V <sub>IL</sub>		-	-	0.2V <sub>DD</sub>	V
Input High Voltage	V <sub>IH</sub>		0.7V <sub>DD</sub>	-	-	V
Input Low Current	I <sub>IL</sub>	V <sub>IN</sub> =0V	-15	-7	-	μA
Input High Current	I <sub>IH</sub>	V <sub>IN</sub> =V <sub>DD</sub>	-2	-	2	μA
Output Low Voltage <sup>1</sup>	V <sub>OL</sub>	I <sub>OL</sub> =6mA	-	-	0.1	V
Output High Voltage <sup>1</sup>	V <sub>OH</sub>	I <sub>OH</sub> =-4mA	0.85V <sub>DD</sub>	0.9V <sub>DD</sub>	-	V
Output Low Current <sup>1</sup>	I <sub>OL</sub>	V <sub>OL</sub> =0.2V <sub>DD</sub>	15	24	-	mA
Output High Current <sup>1</sup>	I <sub>OH</sub>	V <sub>OH</sub> =0.7V <sub>DD</sub>	-	-13	-8	mA
Supply Current	I <sub>DD</sub>	No load @ 33 MHz	-	9	17	mA
Supply Current	I <sub>DD</sub>	No load @ 66.6 MHz	-	12	24	mA
V <sub>DD32</sub> Supply Current	I <sub>DD32</sub>	No load, V <sub>DD32</sub> =3.7V	-	4.6	12	μA
V <sub>DD32</sub> Supply Voltage	V <sub>DD32</sub>	V <sub>DD</sub> =0 to 3.7V, 32 kHz output operating	2.0	-	-	V
Pull-up Resistor Value <sup>1</sup>	R <sub>pu</sub>		370	530	650	k ohm
AC Characteristics						
Rise Time <sup>1</sup>	t <sub>r</sub>	15pF load, 0.8 to 2.0V	-	1.5	2	ns
Fall Time <sup>1</sup>	t <sub>f</sub>	15pF load, 2.0 to 0.8V	-	1.5	2	ns
Rise Time <sup>1</sup>	t <sub>r</sub>	15pF load, 20% to 80%	2	2.5	3.5	ns
Fall Time <sup>1</sup>	t <sub>f</sub>	15pF load, 80% to 20%	2	2.5	3.5	ns
Duty Cycle <sup>1</sup>	d <sub>t</sub>	15pF load	40	50	55	%
Jitter, One Sigma <sup>1</sup>	t <sub>jis</sub>	As compared with clock period.	-	1	2	%
Jitter, Absolute <sup>1</sup>	t <sub>jab</sub>		-	2	5.5	%
Input Frequency <sup>1</sup>	f <sub>i</sub>		25	32.768	40	kHz
Power-up Time <sup>1</sup>	t <sub>pu</sub>	Off to 33.3 MHz	-	4	8	ms
Transition Time <sup>1</sup>	t <sub>ft</sub>	4 to 66.6 MHz	-	-	4.8	ms

Note:

- Parameter guaranteed by design and characterization. Not 100% tested in production.



## Electrical Characteristics

V<sub>DD</sub> = +5V±10%, T<sub>A</sub>=0°C to 70°C unless otherwise stated

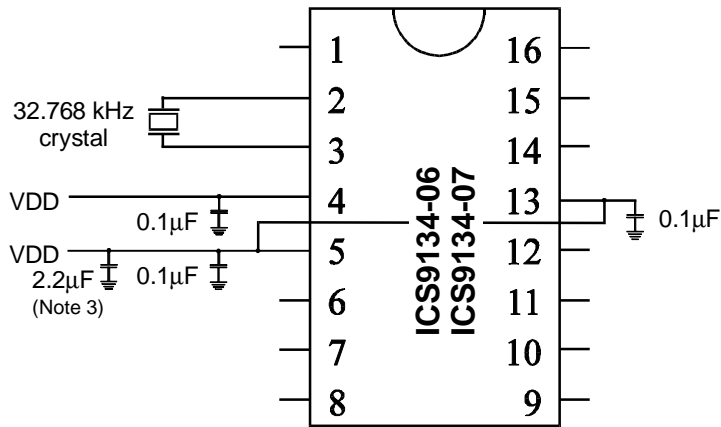
DC Characteristics						
PARAMETER	SYMBOL	TEST CONDITIONS	MIN	TYP	MAX	UNITS
Input Low Voltage	V <sub>IL</sub>		-	-	0.8	V
Input High Voltage	V <sub>IH</sub>		2	-	-	V
Input Low Current	I <sub>IL</sub>	V <sub>IN</sub> =0V	-22	-10	-	μA
Input High Current	I <sub>IH</sub>	V <sub>IN</sub> =V <sub>DD</sub>	-2	-	2	μA
Output Low Voltage <sup>1</sup>	V <sub>OL</sub>	I <sub>OL</sub> =10mA	-	0.15	0.4	V
Output High Voltage <sup>1</sup>	V <sub>OH</sub>	I <sub>OH</sub> =-30mA	2.4	3.7	-	V
Output Low Current <sup>1</sup>	I <sub>OL</sub>	V <sub>OL</sub> =0.8V	25	45	-	mA
Output High Current <sup>1</sup>	I <sub>OH</sub>	V <sub>OH</sub> =2.0V	-	-58	-35	mA
Supply Current	I <sub>DD</sub>	No load @ 33 MHz		15	28	mA
Supply Current	I <sub>DD</sub>	No load @ 80 MHz	-	22	35	mA
V <sub>DD32</sub> Supply Current	I <sub>DD32</sub>	No load, V <sub>DD32</sub> =5.5V	-	7.5	20	μA
V <sub>DD32</sub> Supply Voltage	V <sub>DD32</sub>	V <sub>DD</sub> =0 to 5.5V, 32 kHz output operating	2.0	-	-	V
Pull-up Resistor Value <sup>1</sup>	R <sub>pu</sub>		380	550	680	k ohm
AC Characteristics						
Rise Time <sup>1</sup>	t <sub>r</sub>	15pF load, 0.8 to 2.0V	-	1	1.5	ns
Fall Time <sup>1</sup>	t <sub>f</sub>	15pF load, 2.0 to 0.8V	-	1	1.5	ns
Rise Time <sup>1</sup>	t <sub>r</sub>	15pF load, 20% to 80%	-	2	3	ns
Fall Time <sup>1</sup>	t <sub>f</sub>	15pF load, 80% to 20%	-	2	3	ns
Duty Cycle <sup>1</sup>	d <sub>t</sub>	15pF load	48	52	58	%
Jitter, One Sigma <sup>1</sup>	t <sub>jis</sub>	As compared with clock period.	-	1	2	%
Jitter, Absolute <sup>1</sup>	t <sub>jab</sub>		-	2	5	%
Input Frequency <sup>1</sup>	f <sub>i</sub>		25	32.768	40	kHz
Power-up Time <sup>1</sup>	t <sub>pu</sub>	Off to 80 MHz	-	7	14	ms
Transition Time <sup>1</sup>	t <sub>ft</sub>	4 to 80 MHz	-	-	5	ms

Note:

1. Parameter guaranteed by design and characterization. Not 100% tested in production.



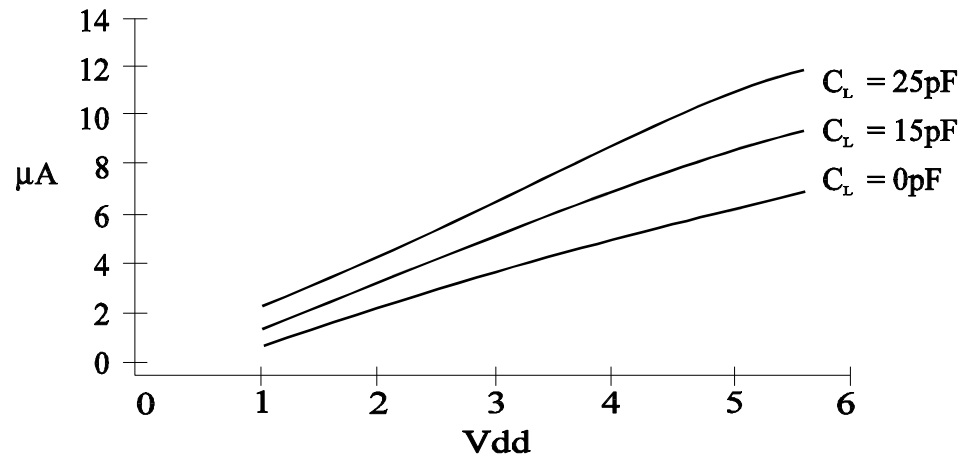
### Recommended External Circuit



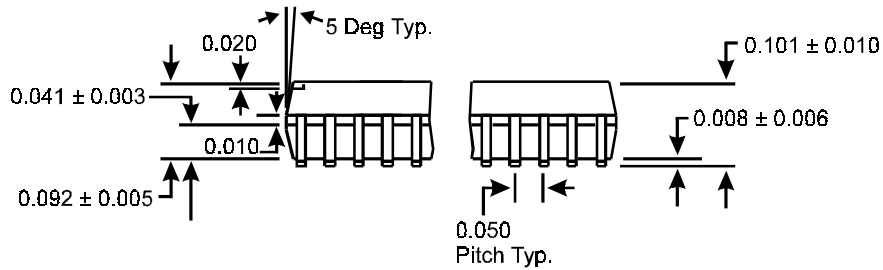
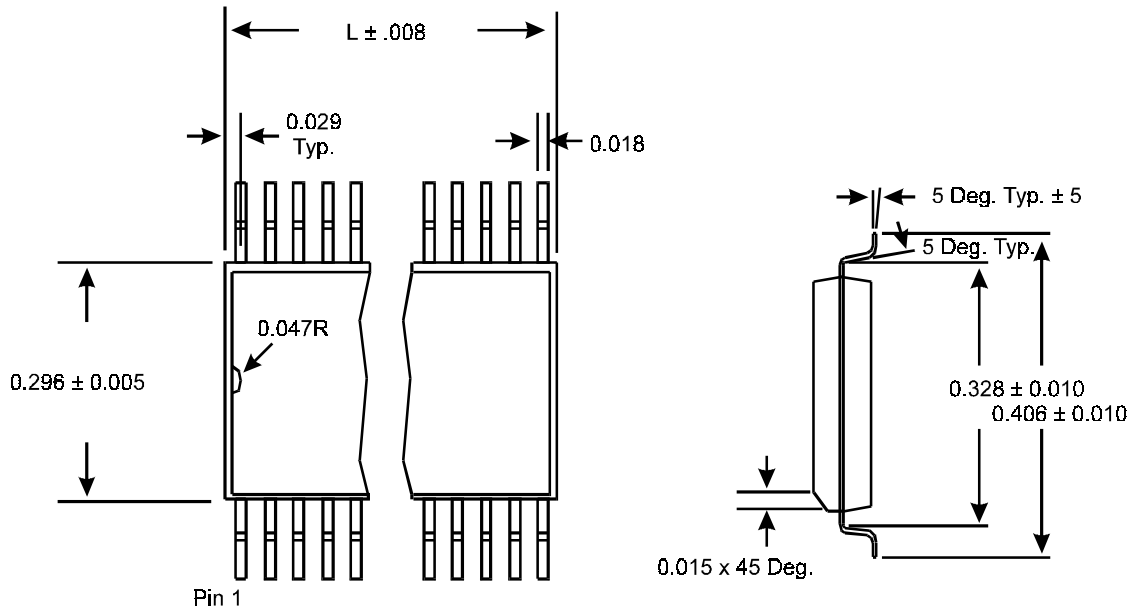
Notes:

- 1) The external components shown should be placed as close to the device as possible.
- 2) Pins 5 and 13 should be connected together externally. One decoupling capacitor may suffice for both pins.
- 3) May be part of system decoupling.

### Typical 32 kHz Supply Current



# ICS9134-06 ICS9134-07



LEAD COUNT	16L
DIMENSION L	0.404

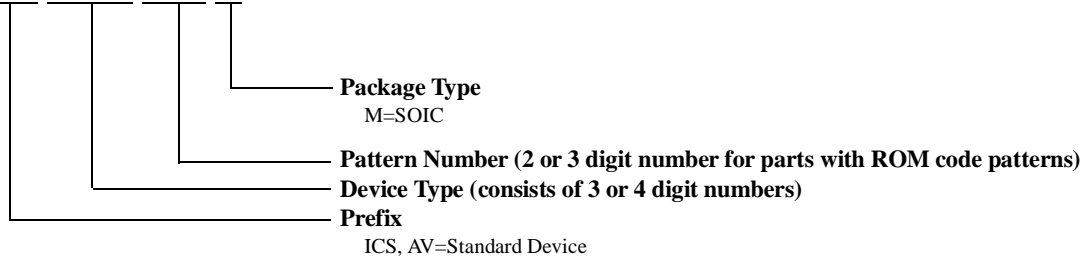
## SOIC Package (wide body)

## Ordering Information

ICS9134-06M or ICS9134-07M

Example:

**ICS XXXX-PPP M**



ADVANCE INFORMATION documents contain information on new products in the sampling or preproduction phase of development. Characteristic data and other specifications are subject to change without notice.