

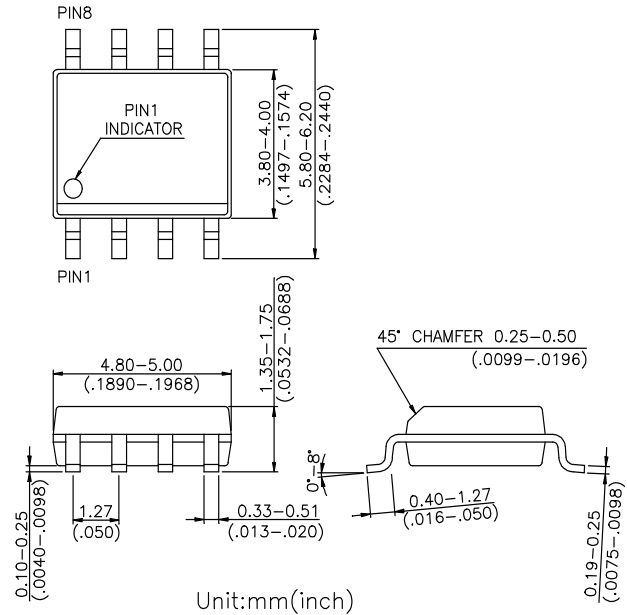
## Features

- Non-Reflective Type
- High Isolation
- Low Power Consumption
- Low Cost Surface Mount SOP-8 Package

## Description

The HWS2352 is an integrated GaAs SPDT terminated switch. It is suitable for cellular phones, CT1, CT2, DECT, and Wireless LAN applications.

## SOP-8



## Electrical Specifications at 25 °C with 0, -5V Control Voltages

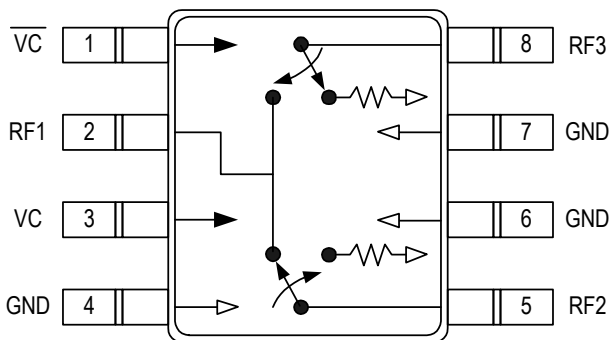
Parameter	Test Conditions	Min.	Typ.	Max.	Unit
Insertion Loss	DC-0.5 GHz		0.5	0.6	dB
	DC-1.0 GHz		0.6	0.7	dB
	DC-2.0 GHz		0.7	0.9	dB
Isolation	DC-0.5 GHz	50	52		dB
	DC-1.0 GHz	38	40		dB
	DC-2.0 GHz	23	26		dB
VSWR	DC-1.0 GHz		1.20:1	1.25:1	
	DC-2.0 GHz		1.30:1	1.40:1	
Input Power for One dB Compression	0.5-2.0 GHz	28	30		dBm

Note: All measurements made in a 50 ohm system with 0/-5V control voltages, unless otherwise specified.

### Absolute Maximum Ratings

Parameter	Absolute Maximum
RF Input Power >100 MHz	35 dBm
Control Voltage	-10V
Operating Temperature	-40°C to +85°C
Storage Temperature	-65°C to +150°C

### Pin Out (Top View)



### Logic Table for Switch On-Path

VC	$\overline{VC}$	RF1-RF2	RF1-RF3
1	0	Insertion Loss	Isolation
0	1	Isolation	Insertion Loss

'1' = -5V to -8V

'0' = 0V to -0.2V